



US00D809614S

(12) **United States Design Patent**
Chiu

(10) **Patent No.:** **US D809,614 S**

(45) **Date of Patent:** **** Feb. 6, 2018**

(54) **FINGER TRAINING APPARATUS**

(71) Applicant: **Ciber Chiu**, Changhua (TW)

(72) Inventor: **Ciber Chiu**, Changhua (TW)

(73) Assignee: **FAMOSA CORP.**, Changhua (TW)

(**) Term: **15 Years**

(21) Appl. No.: **29/556,578**

(22) Filed: **Mar. 1, 2016**

(51) **LOC (11) Cl.** **21-02**

(52) **U.S. Cl.**
USPC **D21/684**

(58) **Field of Classification Search**
USPC 482/47, 45, 49, 48, 44, 121, 105, 122,
482/128, 112, 141, 51, 66, 70, 126, 46,
482/107, 8, 901, 139, 108, 82, 106, 594,
482/124, 131, 11, 93, 97; D21/684, 692,
D21/662, 679, 693, 714, 682; 127/45;
D11/133; D19/97, 82, 96; D27/156;
D32/35; D22/112; 73/379.03; 84/465,
84/265; D8/303; D24/211; 74/558;
601/125, 133, 135, 137, 204, 38;
473/594
CPC A63B 21/0552; A63B 2208/0204; A63B
22/001; A63B 21/00069; A63B 23/12
See application file for complete search history.

D488,843 S * 4/2004 Brown D21/684
6,817,967 B1 * 11/2004 Ott A63B 21/0004
482/47
D725,726 S * 3/2015 Gomez D21/684
9,339,690 B1 * 5/2016 Goldberg A63B 23/16
9,414,986 B2 * 8/2016 Scire A61H 1/0285
D793,495 S * 8/2017 Ffrench D21/684
2007/0129216 A1 * 6/2007 Ott A63B 21/0004
482/48
2008/0300112 A1 * 12/2008 Crout A63B 21/0004
482/48
2009/0156367 A1 * 6/2009 Harris, Jr. A63B 21/0004
482/49
2011/0281688 A1 * 11/2011 Harris, Jr. A63B 21/0428
482/44
2012/0065027 A1 * 3/2012 Zachary A63B 21/0004
482/48
2014/0135179 A1 * 5/2014 Trent A63B 21/4025
482/47

* cited by examiner

Primary Examiner — Robert M. Spear

Assistant Examiner — Ryan Harvey

(74) *Attorney, Agent, or Firm* — Che-Yang Chen; Law
Offices of Scott Warmuth

(57) **CLAIM**

The ornamental design for a finger training apparatus, as
shown and described.

DESCRIPTION

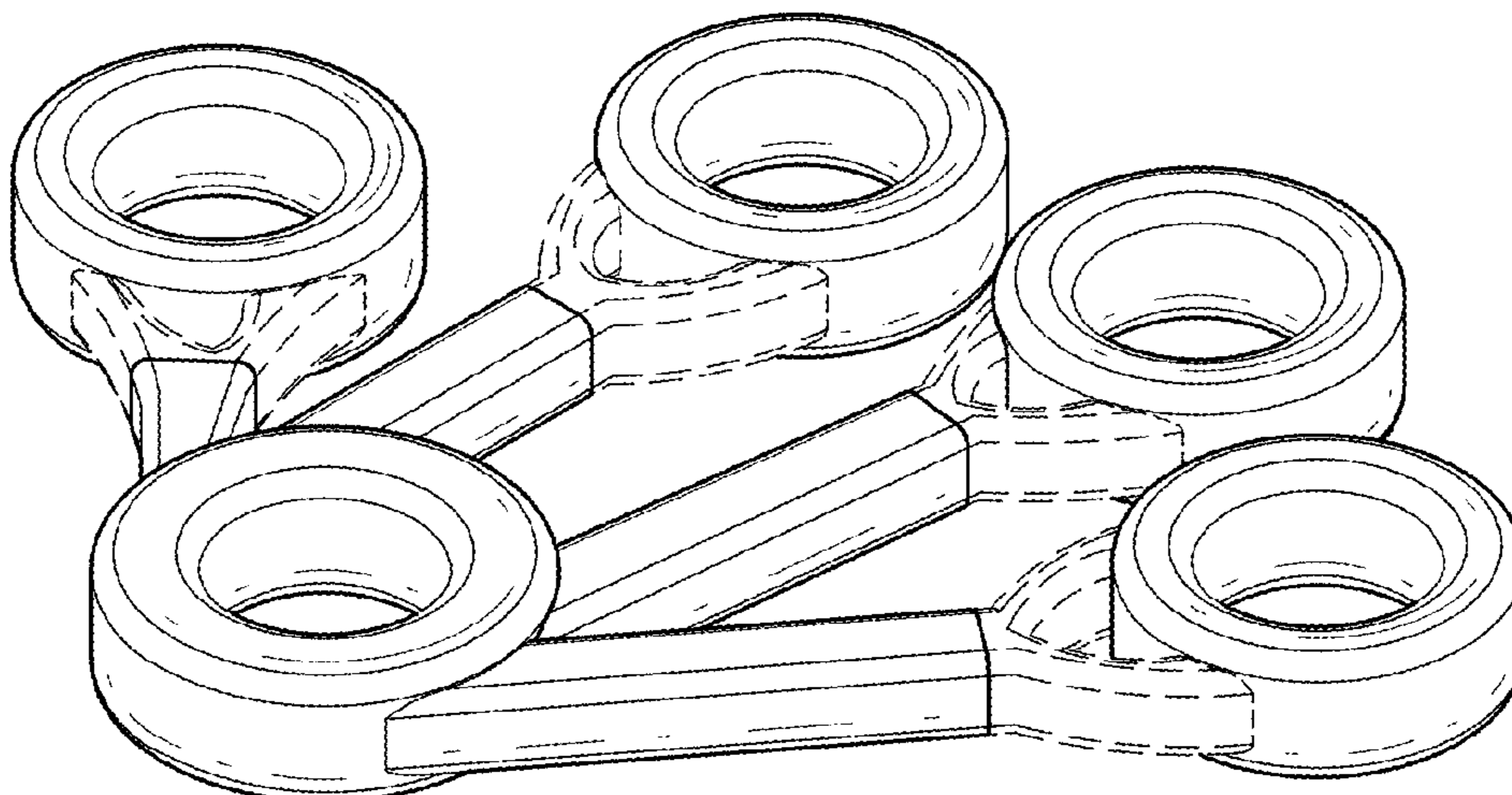
FIG. 1 is a perspective view of a finger training apparatus
showing my new design;
FIG. 2 is a front elevational view thereof;
FIG. 3 is a rear elevational view thereof;
FIG. 4 is a left side elevational view thereof;
FIG. 5 is a right side elevational view thereof;
FIG. 6 is a top plan view thereof; and,
FIG. 7 is a bottom plan view thereof.

1 Claim, 4 Drawing Sheets

(56) **References Cited**

U.S. PATENT DOCUMENTS

3,612,521 A * 10/1971 Wendeborn A63B 23/16
482/48
5,062,625 A * 11/1991 Vonk A63B 21/0004
482/48
D325,611 S * 4/1992 Lewis D21/684
D416,594 S * 11/1999 Sardina D21/684
6,228,001 B1 * 5/2001 Johnson A63B 21/028
482/44



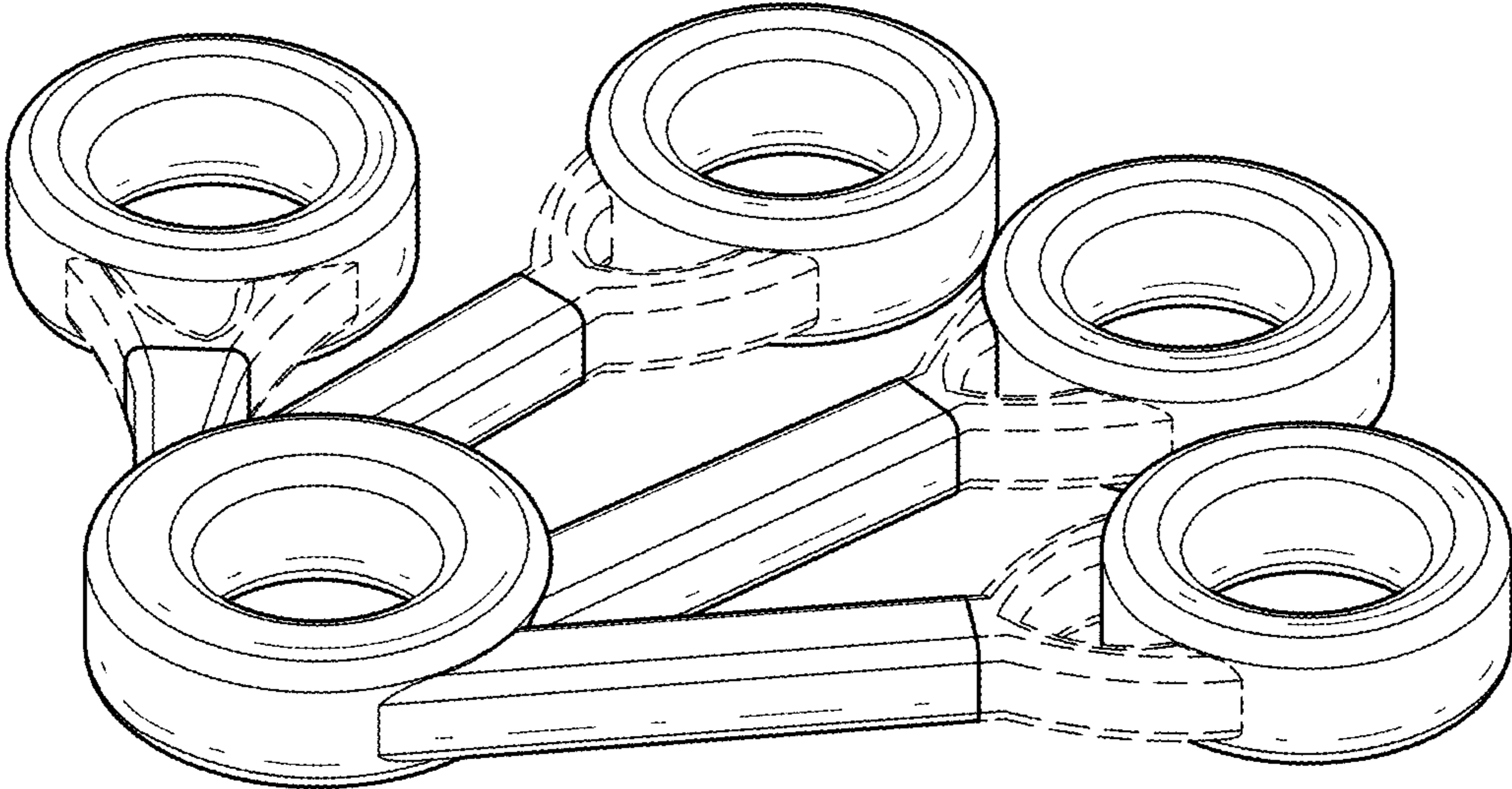


FIG. 1

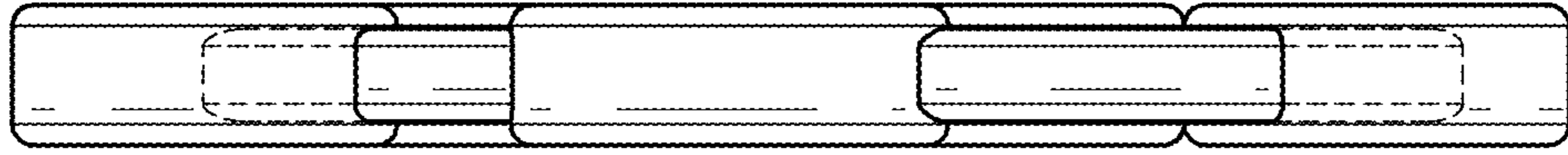


FIG. 2

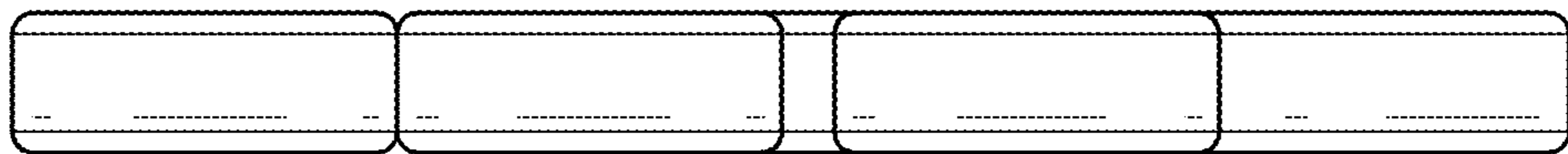


FIG. 3



FIG. 4

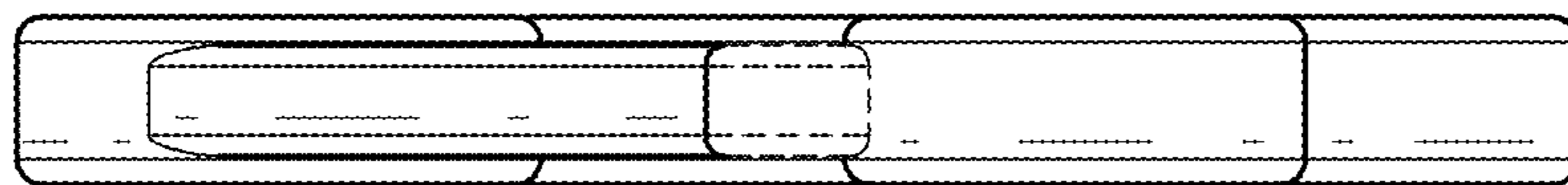


FIG. 5

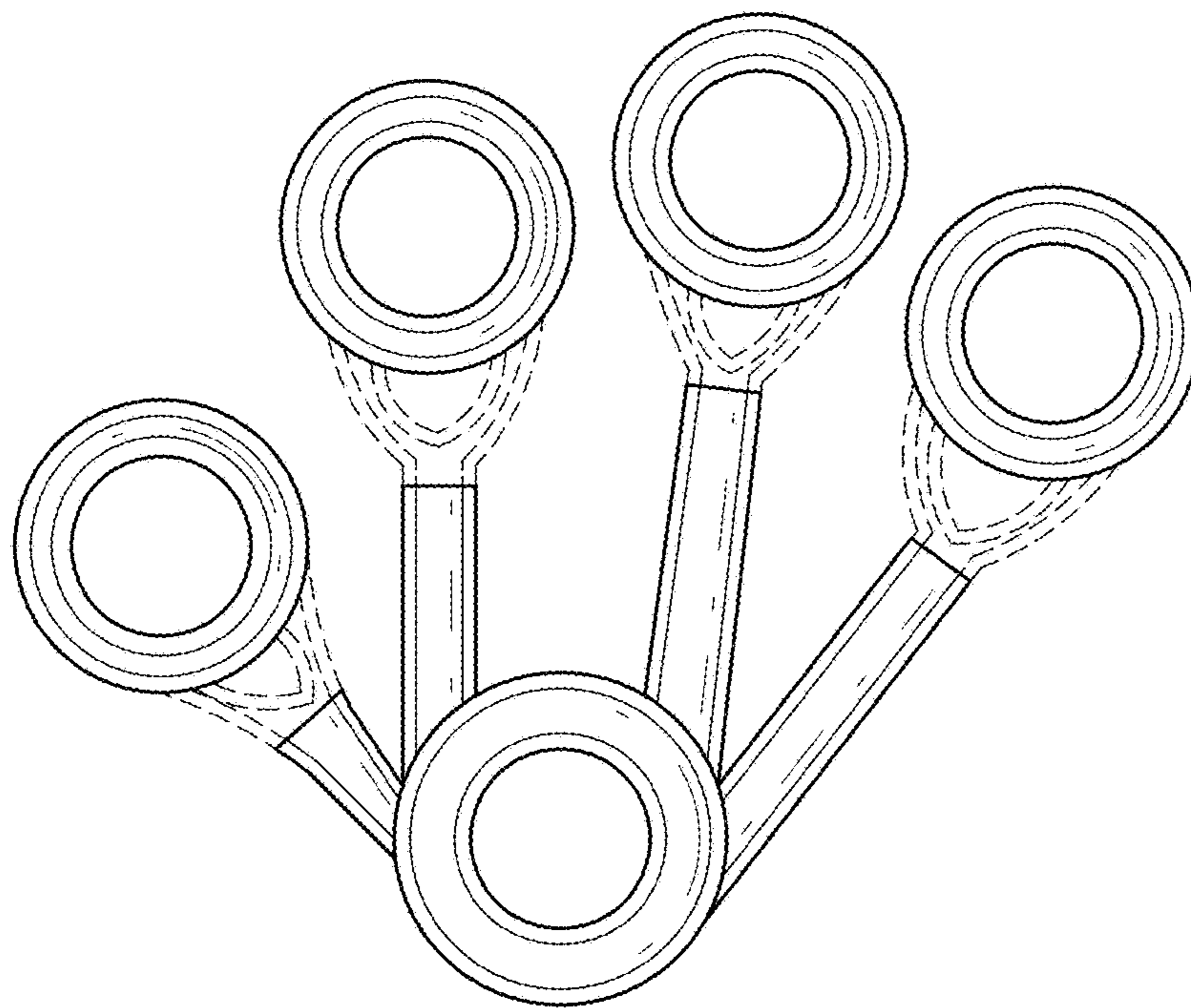


FIG. 6

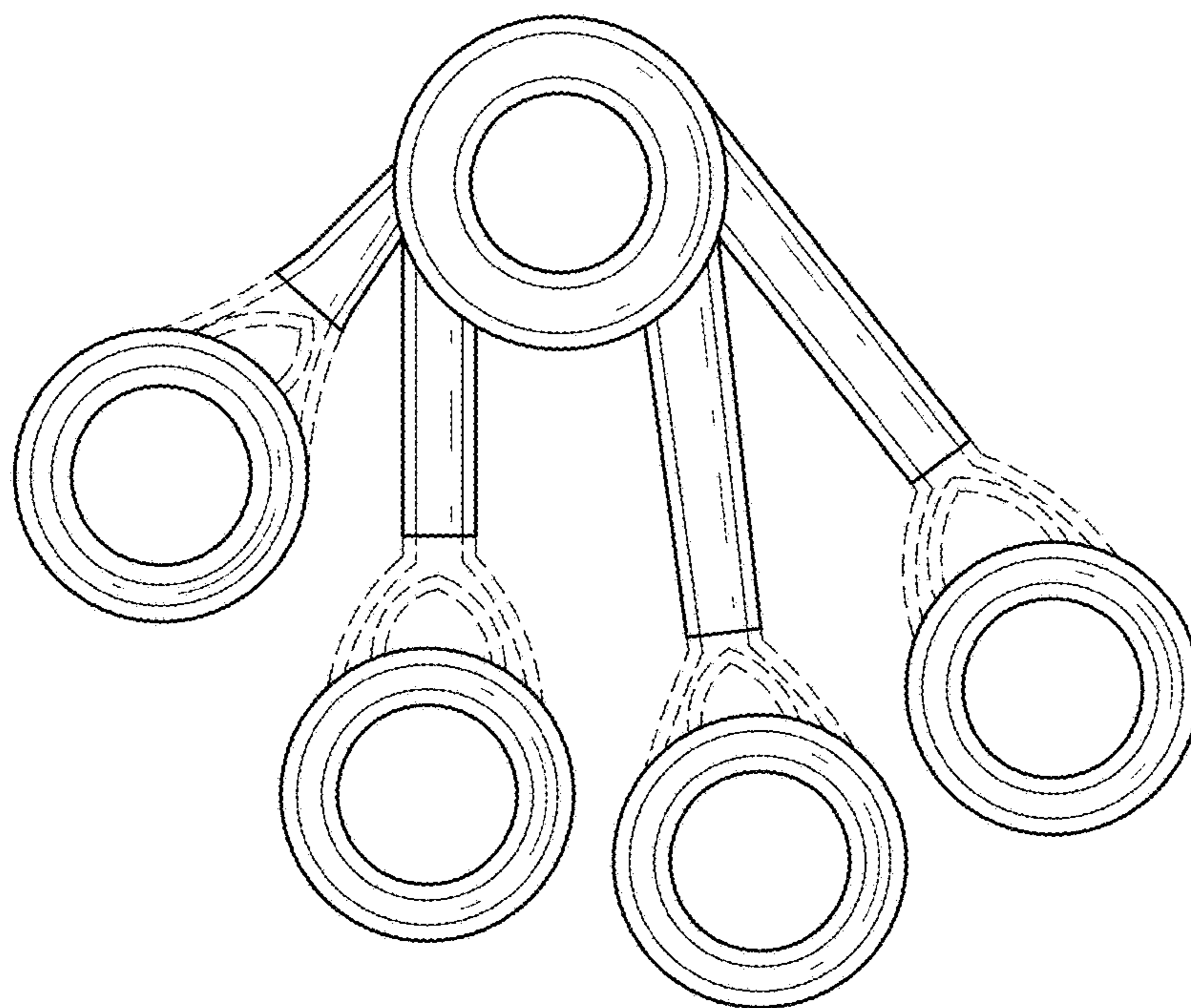


FIG. 7