



US00D809613S

(12) **United States Design Patent**
Larsen

(10) **Patent No.:** **US D809,613 S**

(45) **Date of Patent:** **** Feb. 6, 2018**

(54) **EXERCISING APPARATUS**

(71) Applicant: **HAL HOLDING AS**, Fredrikstad (NO)

(72) Inventor: **Haakon A. Larsen**, Fredrikstad (NO)

(73) Assignee: **HAL HOLDING AS**, Fredrikstad (NO)

(**) Term: **15 Years**

(21) Appl. No.: **35/501,096**

(22) Filed: **Feb. 10, 2016**

(80) **Hague Agreement Data**

Int. Filing Date: **Feb. 10, 2016**

Int. Reg. No.: **DM/090905**

Int. Reg. Date: **Feb. 10, 2016**

Int. Reg. Pub. Date: **Jun. 17, 2016**

(51) **LOC (11) Cl.** **21-02**

(52) **U.S. Cl.**
USPC **D21/675**

(58) **Field of Classification Search**
USPC D21/673, 675, 676
CPC A63B 21/078; A63B 21/06; A63B 21/02;
A63B 21/055

See application file for complete search history.

(56) **References Cited**

U.S. PATENT DOCUMENTS

D454,604 S *	3/2002	Webber	D21/675
D455,184 S *	4/2002	Webber	D21/675
D518,121 S *	3/2006	Panatta	D21/676
D708,274 S *	7/2014	Eder	D21/673

* cited by examiner

Primary Examiner — George D Kirschbaum

(74) *Attorney, Agent, or Firm* — Birch, Stewart, Kolasch & Birch, LLP

(57) **CLAIM**

The ornamental design for an exercise apparatus, as shown and described.

DESCRIPTION

1. Exercising apparatus

1.1 : Front

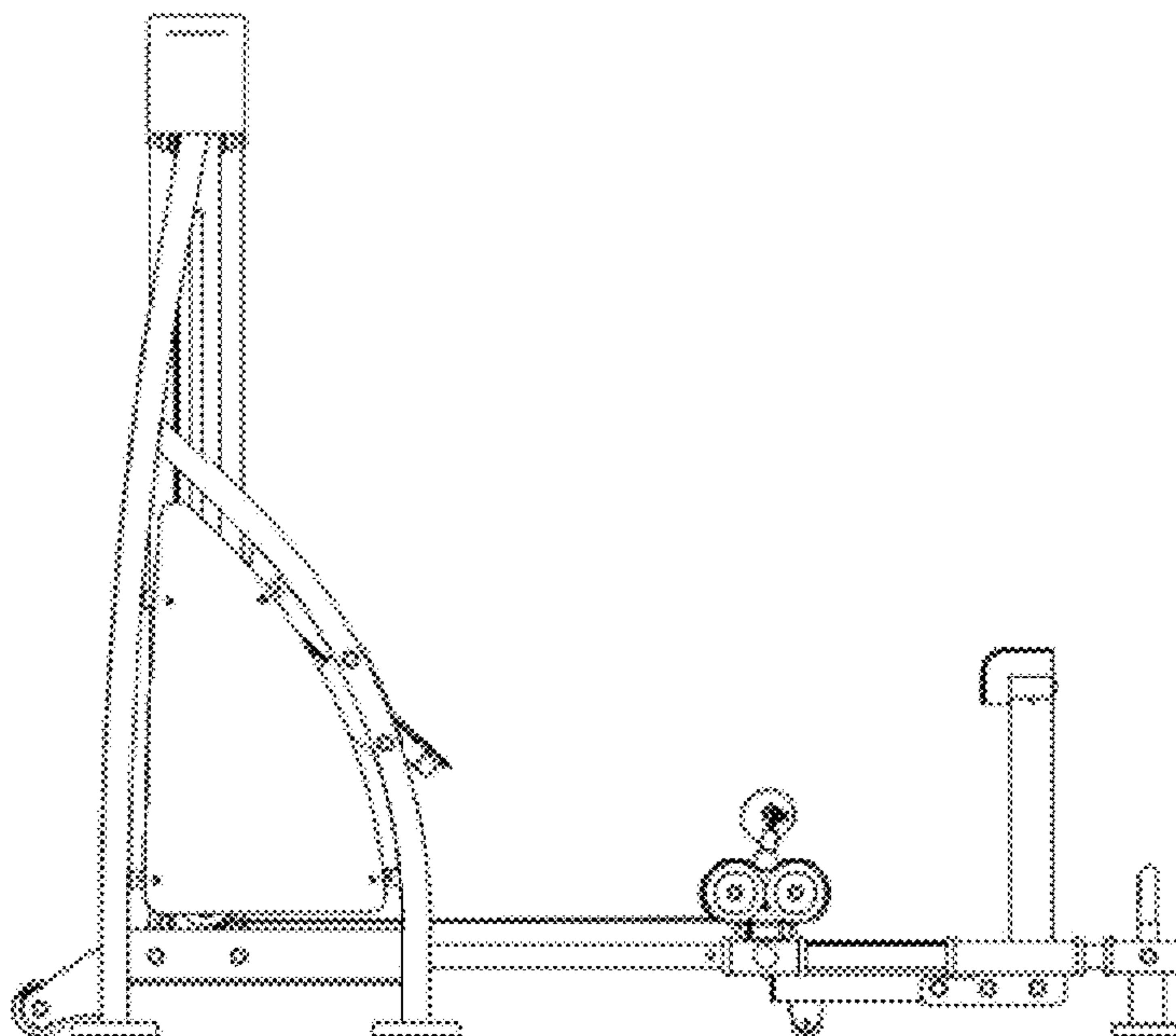
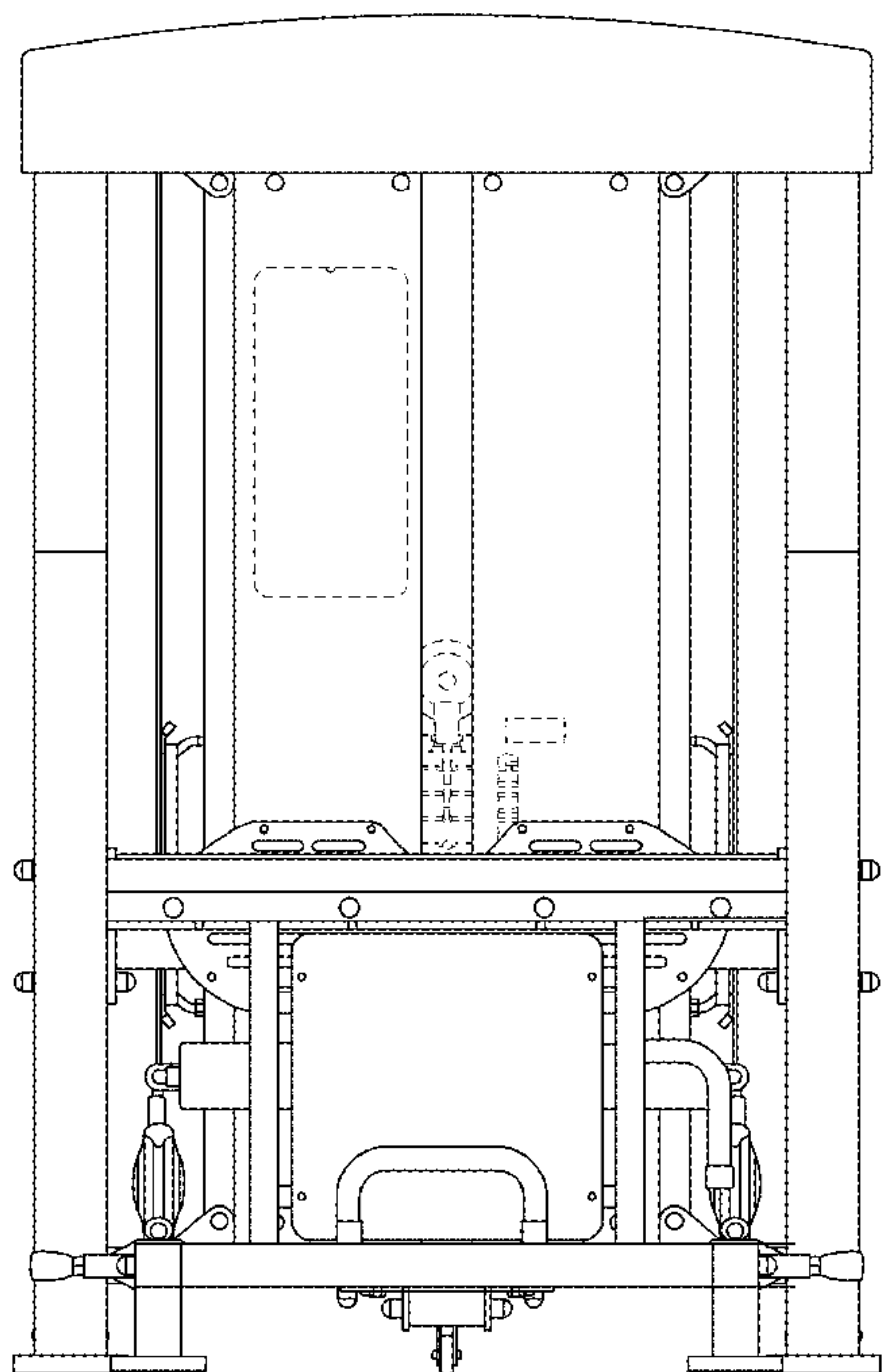
1.2 : Back

1.3 : Top

1.4 : Right

The broken lines depict unclaimed environmental subject matter.

1 Claim, 4 Drawing Sheets



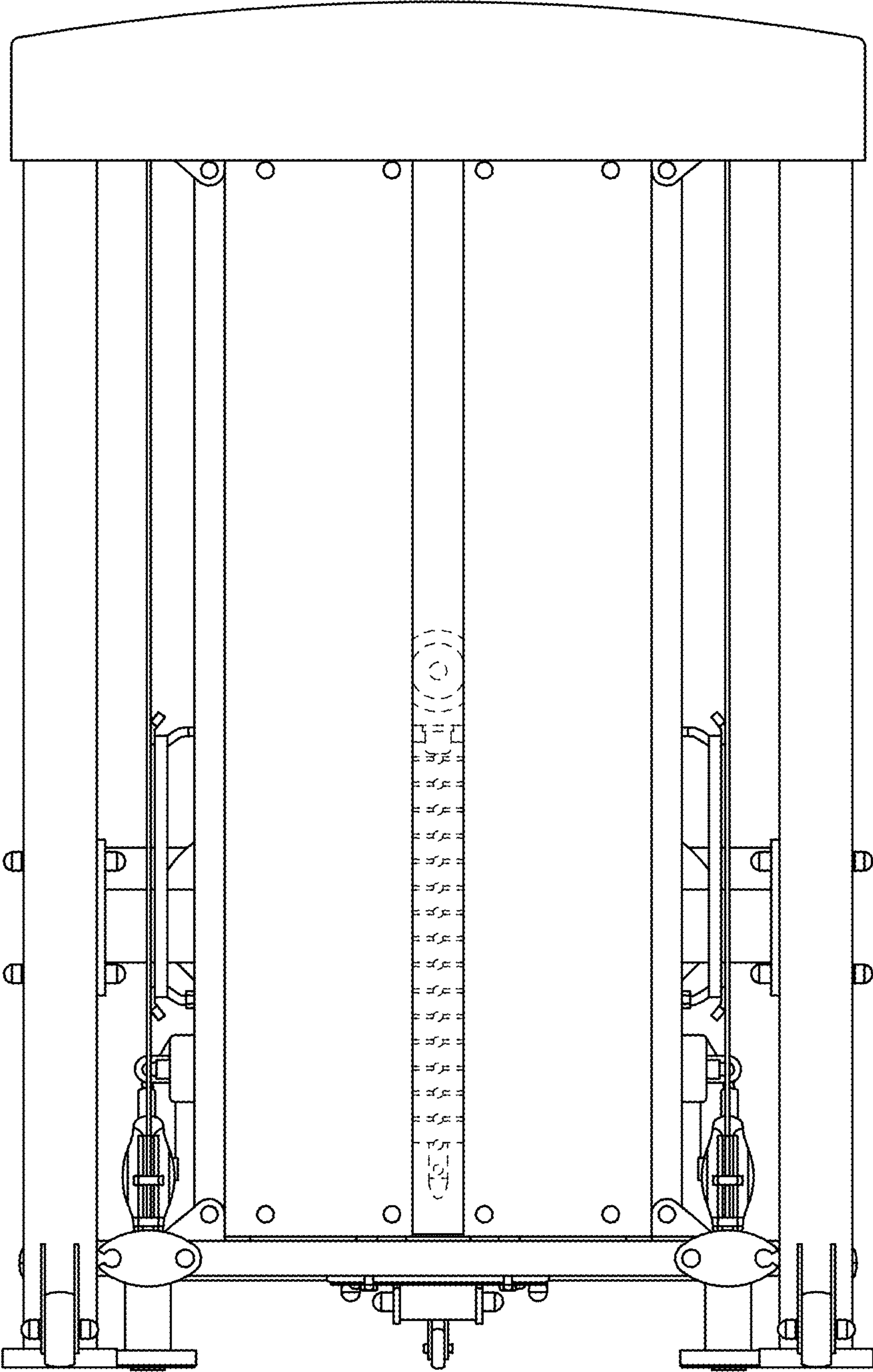


FIG. 1.1

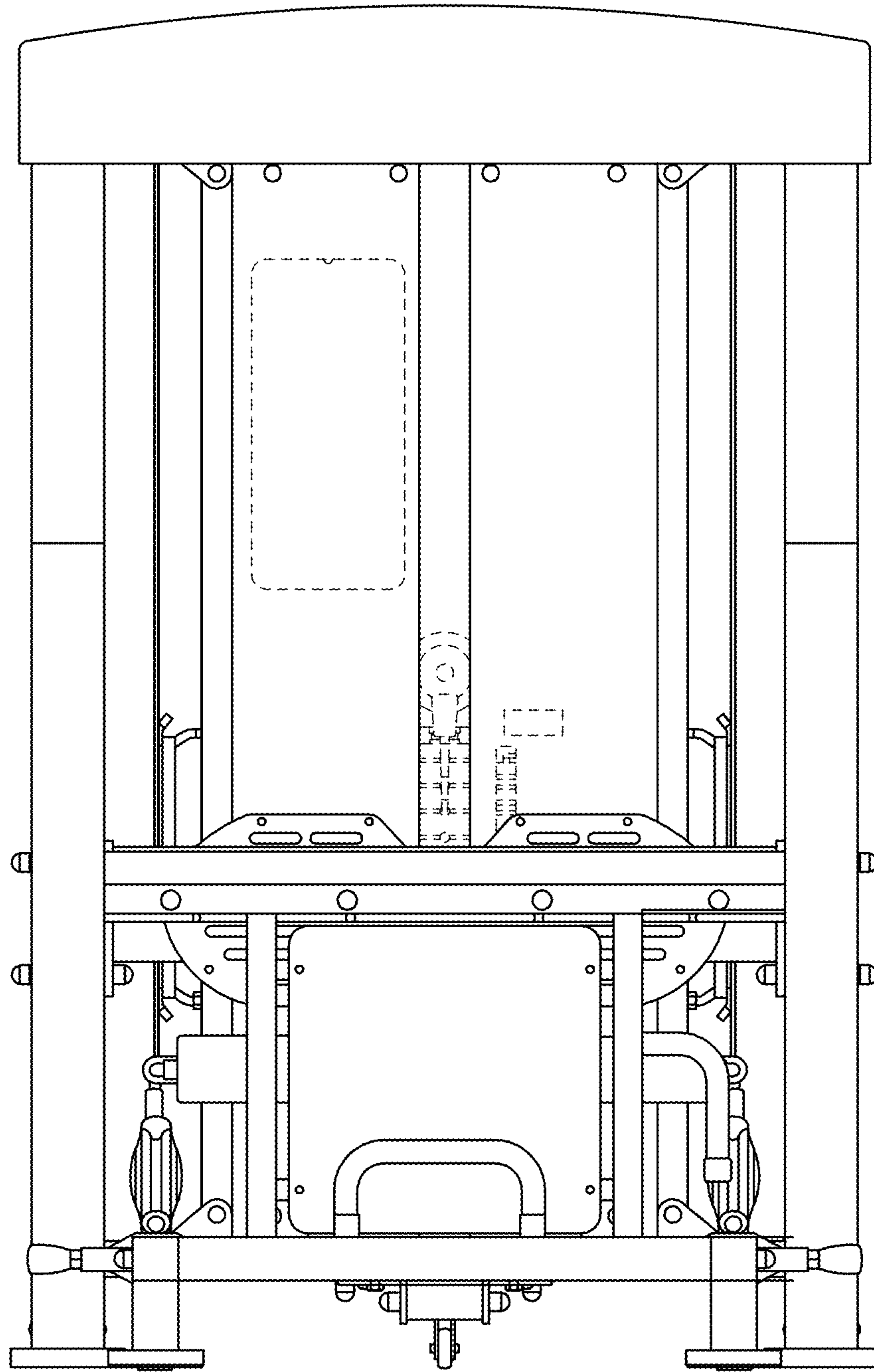
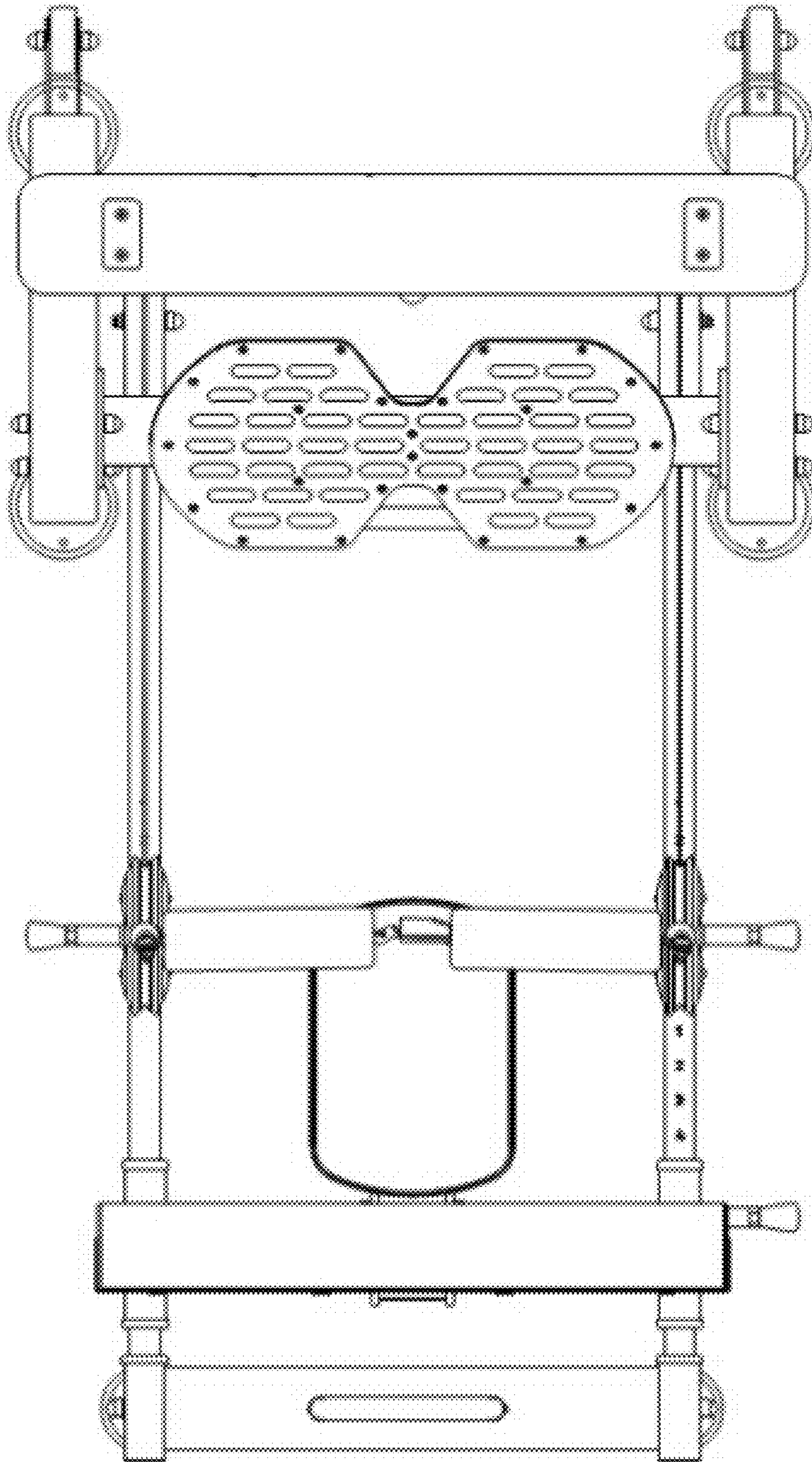


FIG. 1.2

1.3



1.4

