



US00D809612S

(12) **United States Design Patent** (10) **Patent No.:** **US D809,612 S**
Ganea (45) **Date of Patent:** **** Feb. 6, 2018**

(54) **EXERCISE ROLLER**

A61H 7/001; A61H 2015/0014; A61H 2201/1284; A61H 39/04

(71) Applicant: **2441398 Ontario Corporation**, Toronto (CA)

See application file for complete search history.

(72) Inventor: **Cristian Octavian Ganea**, North York (CA)

(56) **References Cited**

(73) Assignee: **2441398 ONTARIO CORPORATION**, Toronto (CA)

U.S. PATENT DOCUMENTS

(**) Term: **14 Years**

718,594 A * 1/1903 Bailey A61H 15/0092 15/201
822,628 A * 6/1906 Philippart A63B 67/16 446/255
1,850,862 A * 3/1932 Boyd A61H 15/00 482/79

(Continued)

(21) Appl. No.: **29/523,806**

FOREIGN PATENT DOCUMENTS

(22) Filed: **Apr. 14, 2015**

AT 399999 B 1/1995
DE 102011015582 B4 10/2014

(51) **LOC (11) Cl.** **21-02**

(52) **U.S. Cl.**

OTHER PUBLICATIONS

USPC **D21/662**; D24/211

Squat Sponge by squat sponge barbell pad dated Dec. 22, 2013. Found online [May 9, 2017] <https://www.amazon.com/Squat-Sponge-diameter-Olympic-Barbell/dp/B001LRCGWG>.*

(58) **Field of Classification Search**

USPC ... 482/106, 51, 93, 109, 110, 139, 142, 148, 482/44, 45, 46, 141, 95, 50, 129, 127; D21/680, 798, 692, 662, 804, 686, 671, D21/691, 682, 694, 687, 654, 487, 679, D21/684, 688, 412, 685, 400, 791, 725, D21/386; D24/188, 211, 141, 215, 190, D24/200, 231, 106, 171; D30/160, 119; D6/601, 598, 604, 691.4, 597, 348, 361, D6/596, 606; 601/112, 121, 122, 46, 15, 601/19, 120, 134, 135, 131; 220/4.07, 220/4.24, 4.27, 666; D3/307, 290, 299, D3/289, 287, 254, 246, 228, 302, 300, D3/301, 276, 11; 476/256, 519, 549, 476/558, 559, 564, 118, 457, 219, 513, 476/560, 568, 409; D7/608

(Continued)

Primary Examiner — Robert M. Spear
Assistant Examiner — Ryan Harvey
(74) *Attorney, Agent, or Firm* — Gowling WLG (Canada) LLP

CPC A61H 15/0092; A61H 2201/0207; A61H 15/00; A61H 2205/081; A61H 23/0263;

(57) **CLAIM**

The ornamental design for an exercise roller, as shown and described.

DESCRIPTION

FIG. 1 is an isometric front view of an exercise roller showing the new design;
FIG. 2 is a front view of the design of FIG. 1 the rear, top and bottom views being identical;
FIG. 3 is a right end view of the design of FIG. 1 the left end view being identical; and,

(Continued)

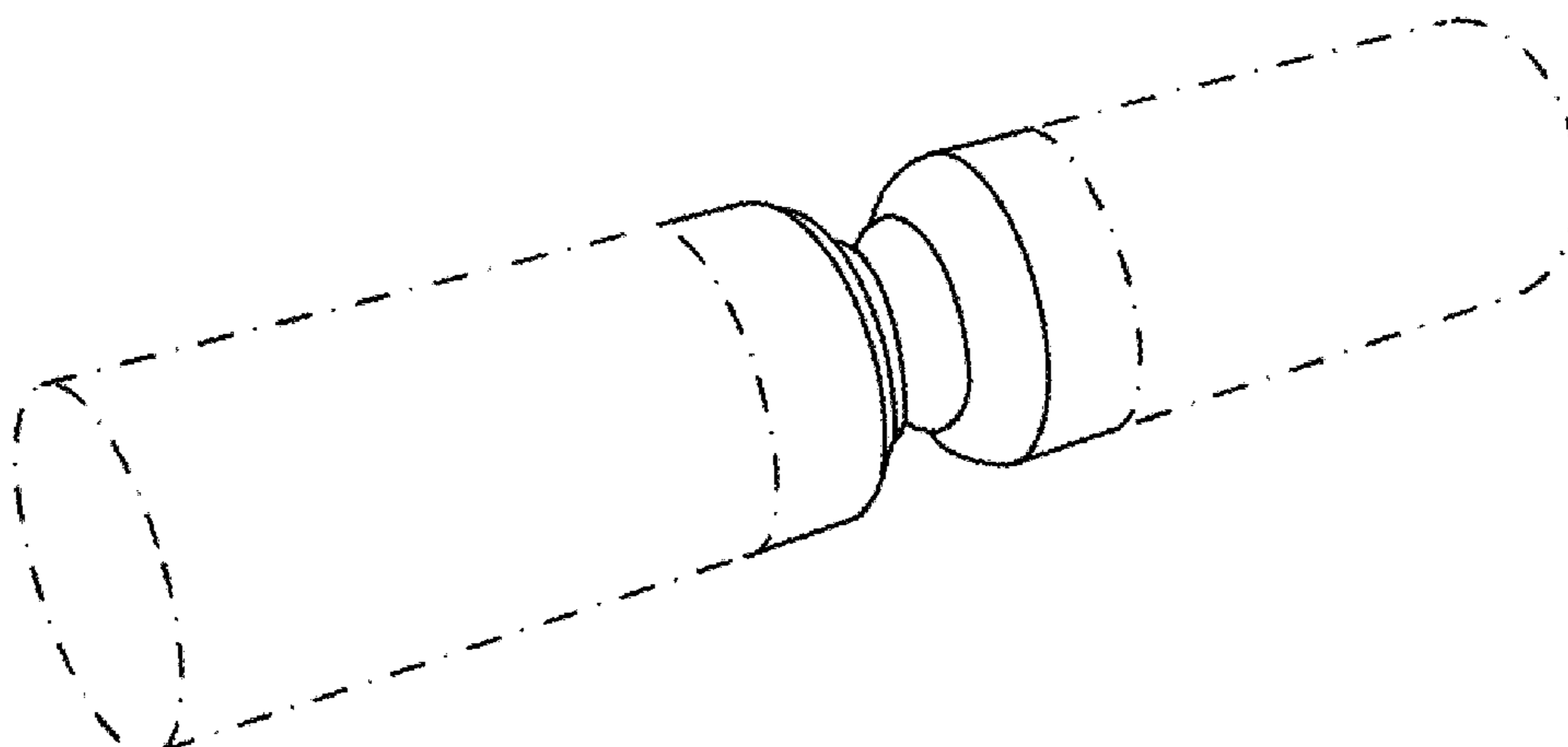


FIG. 4 is a cross-section view of the design of FIG. 2. The broken lines showing of selected portions the exercise roller is for environmental purposes only and forms no part of the claimed design.

1 Claim, 1 Drawing Sheet

(56)

References Cited

U.S. PATENT DOCUMENTS

1,882,490 A * 10/1932 Falck A61H 15/0092
492/36
2,221,785 A * 11/1940 Douglas A61H 15/0092
601/120
2,767,707 A * 10/1956 Toivonen A61H 15/00
601/118
D197,788 S * 3/1964 Fox D21/464
3,205,888 A * 9/1965 Stroop A61H 15/00
482/54
3,750,654 A 8/1973 Shiu
D259,996 S * 7/1981 Sheiman D8/375
4,345,757 A * 8/1982 Lo Voi A61H 15/0092
482/132
4,807,603 A 2/1989 Yasui
D318,886 S * 8/1991 de Oliveira D21/464
D322,321 S * 12/1991 Sue D24/214
D417,319 S * 11/1999 Weiss, Jr. D30/119
6,010,432 A * 1/2000 Vawter A61H 15/00
482/54
6,129,687 A * 10/2000 Powell A61H 15/02
220/4.07
6,398,694 B1 * 6/2002 Bountourakis A63B 21/015
482/109
6,565,522 B1 * 5/2003 Chen A61H 15/00
401/208
D485,661 S * 1/2004 Harris D1/122
D546,402 S * 7/2007 Sonnier D21/662
7,250,032 B2 7/2007 Fink
D563,557 S * 3/2008 Fink D24/200
D567,951 S * 4/2008 Fink D24/200
D567,952 S 4/2008 Fink
D567,953 S * 4/2008 Fink D24/200
D567,954 S 4/2008 Fink
D567,955 S 4/2008 Fink
D573,262 S * 7/2008 Soucy D24/211

D613,804 S * 4/2010 Perez D21/691
7,918,774 B2 * 4/2011 Dye A61H 15/0092
482/132
8,002,682 B2 * 8/2011 Dye A61H 15/0092
482/131
D647,980 S * 11/2011 Davis D21/662
D660,450 S * 5/2012 Johnson D24/215
D688,384 S * 8/2013 Ateya Soliman D24/215
D693,934 S * 11/2013 Lin D24/215
D699,794 S * 2/2014 Wauldron D21/662
D700,346 S * 2/2014 Palizzi D24/211
D700,709 S 3/2014 Khodabakhshian
D713,050 S * 9/2014 Kao A61H 15/00
D24/211
D721,183 S * 1/2015 Mallory D24/211
D737,456 S * 8/2015 McDonough D24/211
D738,519 S * 9/2015 Phillips D24/211
D755,304 S * 5/2016 Ackerman D21/662
D756,468 S * 5/2016 Chang D21/662
9,352,184 B2 * 5/2016 Davis A63B 21/0552
D770,579 S * 11/2016 Chang A63B 22/20
D21/691
9,486,387 B2 * 11/2016 Crowell A61H 15/0092
D785,103 S * 4/2017 Townsend D21/662
2002/0193714 A1 12/2002 Pecora
2005/0215928 A1 9/2005 Banks et al.
2006/0149174 A1 * 7/2006 Fink A61H 1/0292
601/121
2011/0300995 A1 * 12/2011 Castiglione A61H 15/0092
482/51
2012/0035029 A1 * 2/2012 Dye A61H 15/0092
482/132
2012/0065557 A1 * 3/2012 Phillips A61H 15/0092
601/99
2013/0096472 A1 * 4/2013 Bertram A61H 15/0092
601/120
2013/0178768 A1 * 7/2013 Dalebout A61H 15/0092
601/46
2013/0184620 A1 7/2013 Cohen
2015/0005146 A1 * 1/2015 Chen A63B 21/00047
482/142

OTHER PUBLICATIONS

File History for U.S. Appl. No. 10/808,088, filed Mar. 23, 2004; Banks; 103 pages.

* cited by examiner

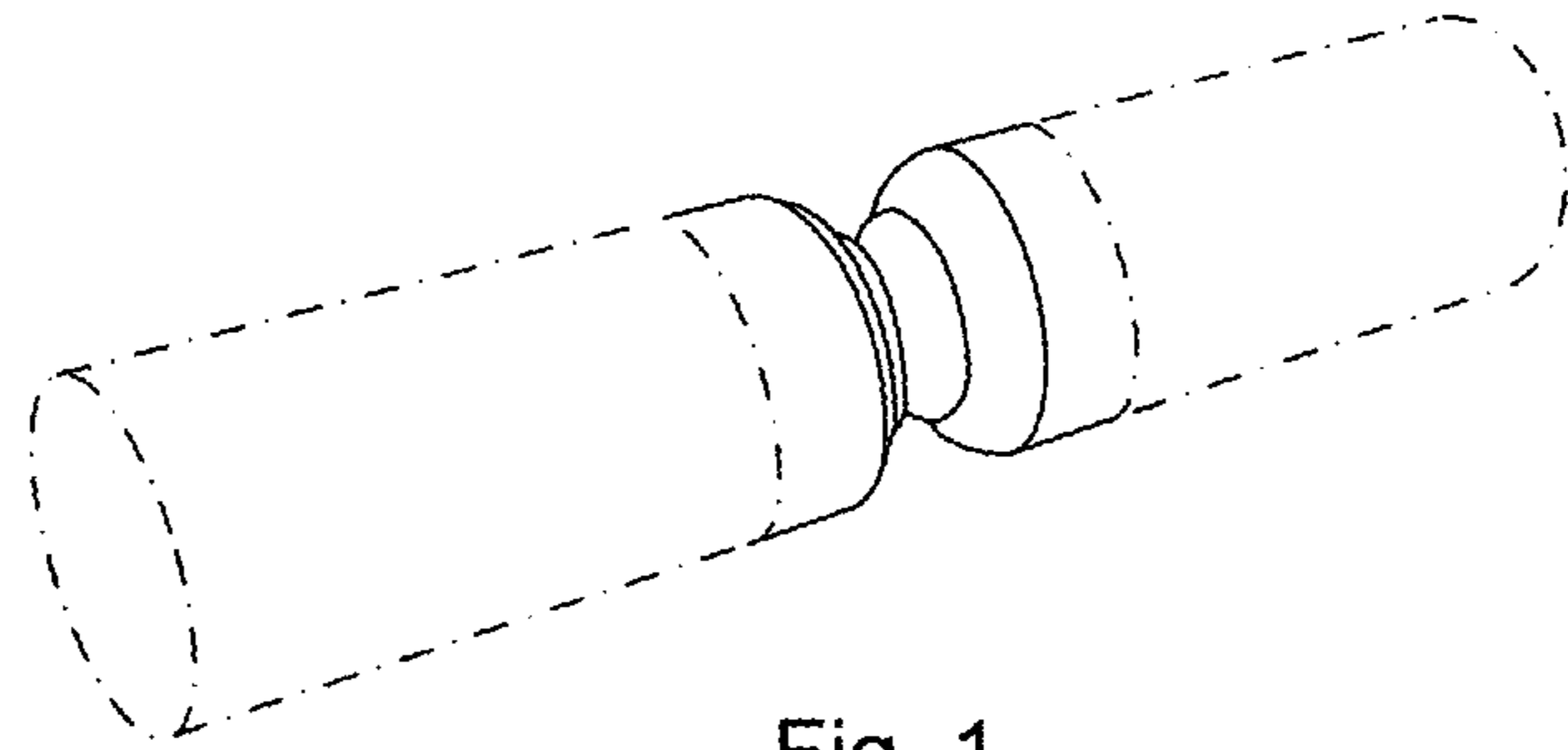


Fig. 1

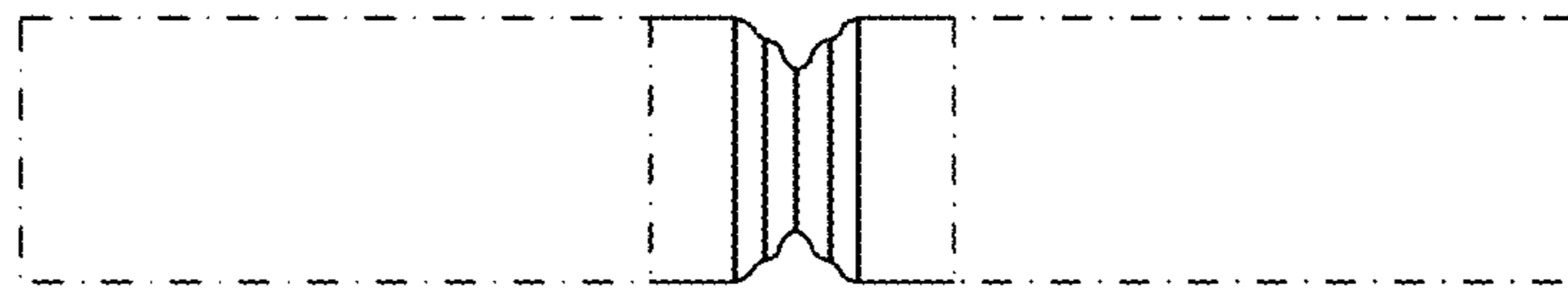


Fig. 2

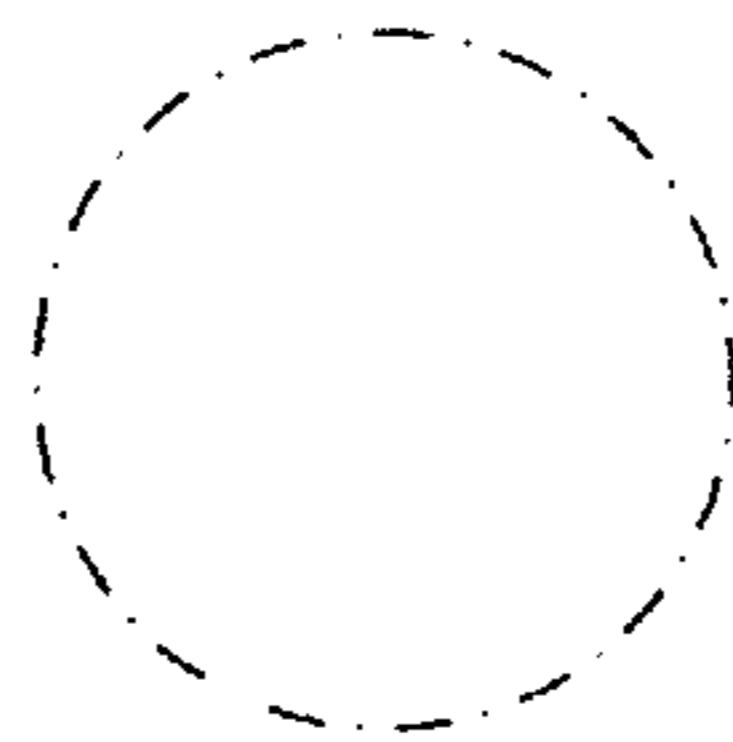


Fig. 3

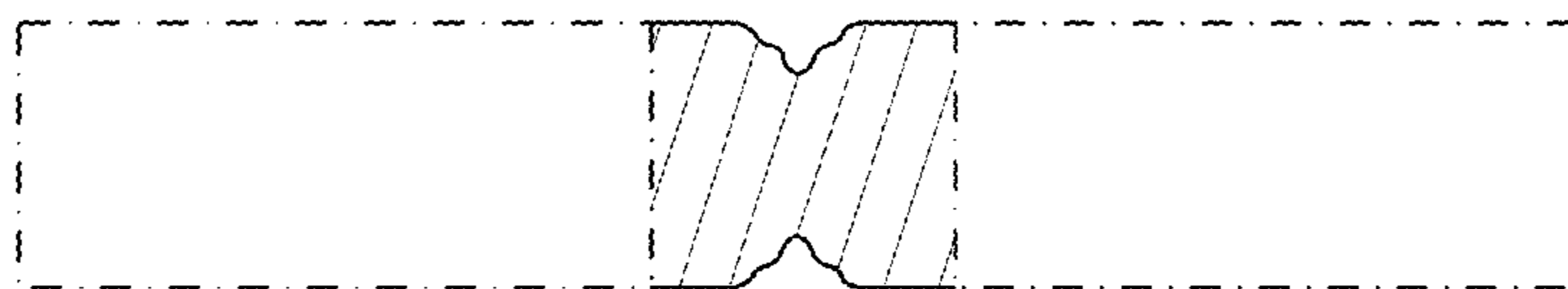


Fig. 4