



US00D809611S

(12) **United States Design Patent** (10) **Patent No.:** **US D809,611 S**  
**Deblois** (45) **Date of Patent:** **\*\* Feb. 6, 2018**

(54) **CONSTRUCTION SET ELEMENT**  
(71) Applicant: **MEGA Brands Inc.**, Montreal (CA)  
(72) Inventor: **Stacy Deblois**, Montreal (CA)  
(73) Assignee: **MEGA Brands Inc.**, Montreal, Quebec (CA)

(\*\*) Term: **15 Years**  
(21) Appl. No.: **29/533,802**

(22) Filed: **Jul. 22, 2015**  
(51) **LOC (11) Cl.** ..... **21-01**  
(52) **U.S. Cl.**  
USPC ..... **D21/503**  
(58) **Field of Classification Search**  
USPC ..... D21/386, 389, 404, 468, 470, 471,  
D21/484-505; 446/69, 85, 102-128;  
434/208, 259, 403; 273/153, 156, 160;  
D25/113-116, 118  
CPC ..... A63H 33/00; A63H 33/04; A63H 33/06;  
A63H 33/08; A63H 33/084; A63H  
33/086; A63H 33/088; A63H 33/10;  
A63H 33/105; A63H 33/108; A63H 33/52  
See application file for complete search history.

(56) **References Cited**

U.S. PATENT DOCUMENTS

D272,255 S \* 1/1984 Chatani ..... D21/502  
4,758,195 A \* 7/1988 Walsh ..... A63H 33/04  
446/85  
4,846,750 A \* 7/1989 Tapdrup ..... A63F 9/12  
446/118  
D312,099 S \* 11/1990 Andersen ..... D21/503  
D315,376 S \* 3/1991 Meyer ..... D21/502  
D319,267 S \* 8/1991 Hoyer ..... D21/503  
5,172,534 A \* 12/1992 Milner ..... E04B 2/12  
446/104  
D337,356 S \* 7/1993 Voldmester ..... D21/659  
D350,789 S 9/1994 Ryaa et al.  
D360,000 S \* 7/1995 Hatting ..... D21/502

D361,100 S \* 8/1995 Skov ..... D21/503  
D363,095 S \* 10/1995 Voldmester ..... D21/503  
D371,583 S 7/1996 Knudsen  
D373,606 S 9/1996 Knudsen  
D395,681 S 6/1998 Clausen  
D464,381 S \* 10/2002 Sorensen ..... D21/503  
(Continued)

OTHER PUBLICATIONS

Lego Duplo Creative Sorter, eye decoration, posted on geekalerts Oct. 23, 2012 <<http://www.geekalerts.com/lego-duplo-creative-sorter/>>.\*

(Continued)

*Primary Examiner* — Cynthia M Chin  
(74) *Attorney, Agent, or Firm* — Plumsea Law Group, LLC

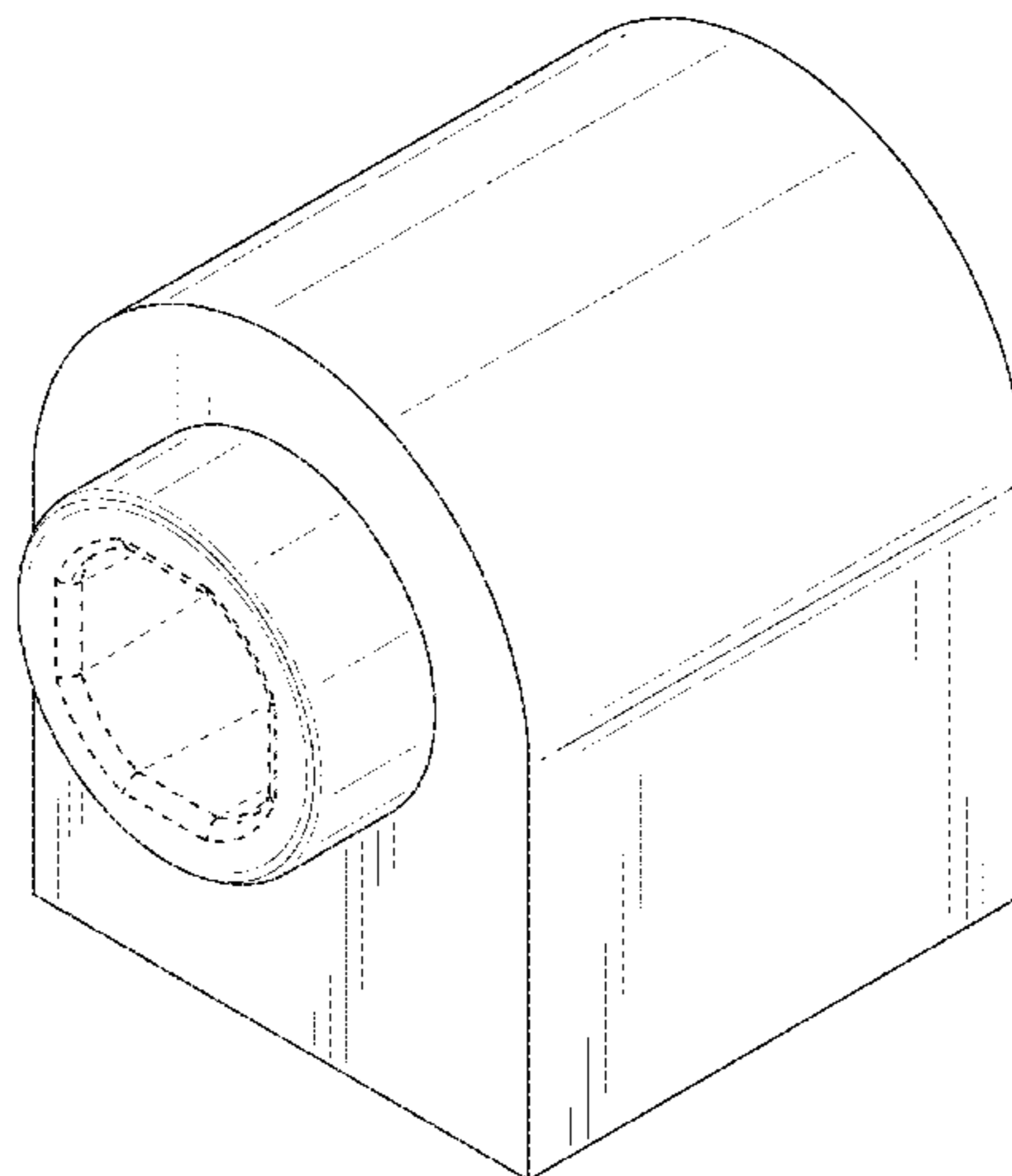
(57) **CLAIM**

The ornamental design for a construction set element, as shown and described.

**DESCRIPTION**

FIG. 1 is a top isometric perspective view of a construction set element showing the new design; FIG. 2 is a front elevational view of the construction set element of FIG. 1; FIG. 3 is a rear elevational view of the construction set element of FIG. 1; FIG. 4 is a right side elevational view of the construction set element of FIG. 1; FIG. 5 is a left side elevational view of the construction set element of FIG. 1; FIG. 6 is a top plan view of the construction set element of FIG. 1; and, FIG. 7 is a bottom plan view of the construction set element of FIG. 1. The broken lines and unshaded areas form no part of the claimed design.

**1 Claim, 7 Drawing Sheets**



(56)

**References Cited**

U.S. PATENT DOCUMENTS

D512,748 S	*	12/2005	Hageman .....	D21/503
D517,128 S	*	3/2006	Kim .....	D21/503
D517,616 S	*	3/2006	Kim .....	D21/503
D588,211 S	*	3/2009	Croston .....	D21/503
D641,054 S	*	7/2011	Clausen .....	D21/503
D667,508 S	*	9/2012	Frederiksen .....	D21/503
D689,957 S	*	9/2013	Jensen .....	D21/503
D701,921 S	*	4/2014	Andersen .....	D21/497
D708,680 S	*	7/2014	Norman .....	D21/503
D711,981 S	*	8/2014	Norman .....	D21/503

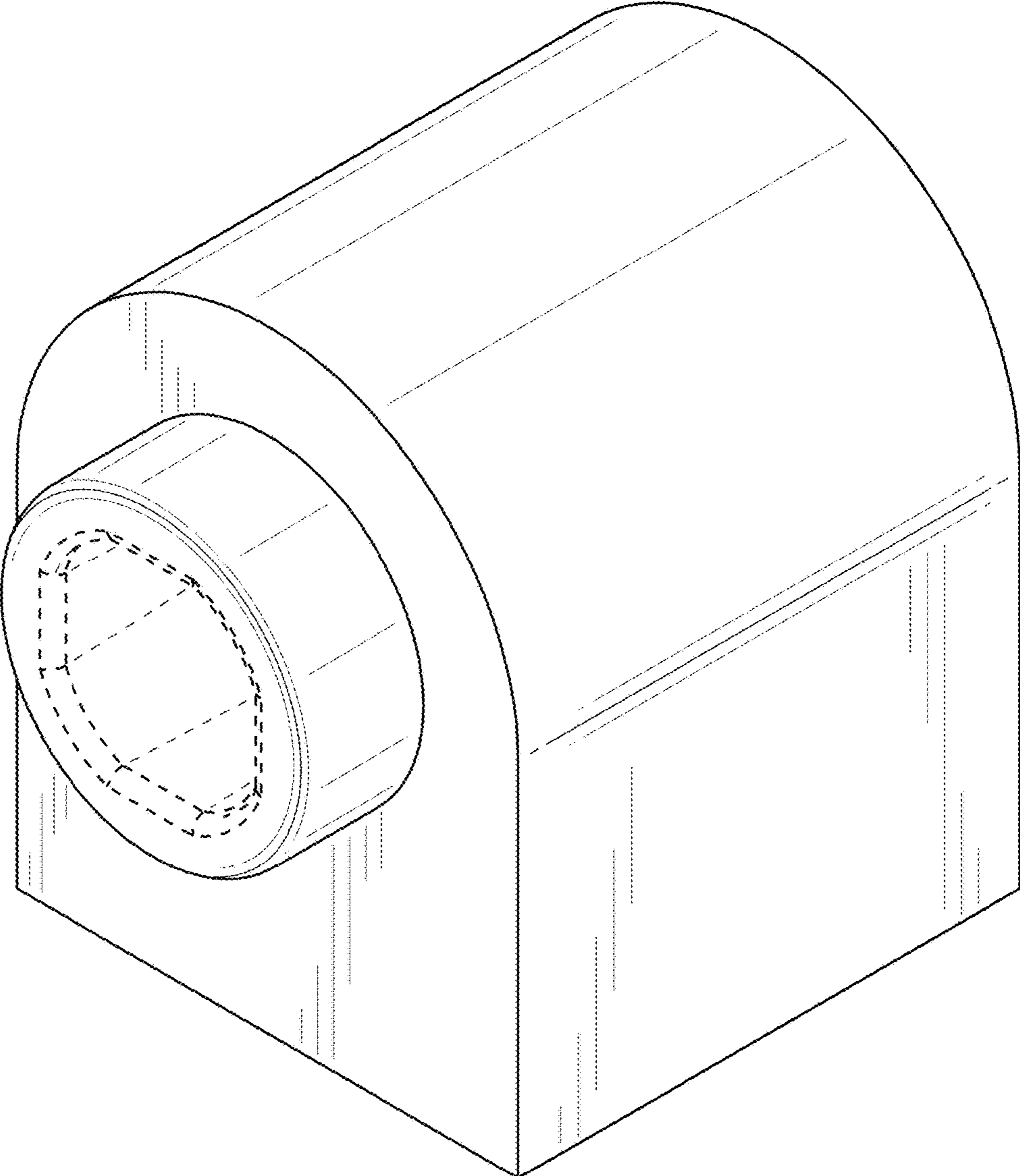
OTHER PUBLICATIONS

Lego Duplo Bricks and Books Set Review, posted on craftines-  
sisnotoptional.com Jul. 11, 2012 <[http://www.craftines-  
sisnotoptional.com/2012/07/lego-duplo-bricks-and-books-set-re-  
view.html](http://www.craftines-<br/>sisnotoptional.com/2012/07/lego-duplo-bricks-and-books-set-re-<br/>view.html)>.\*

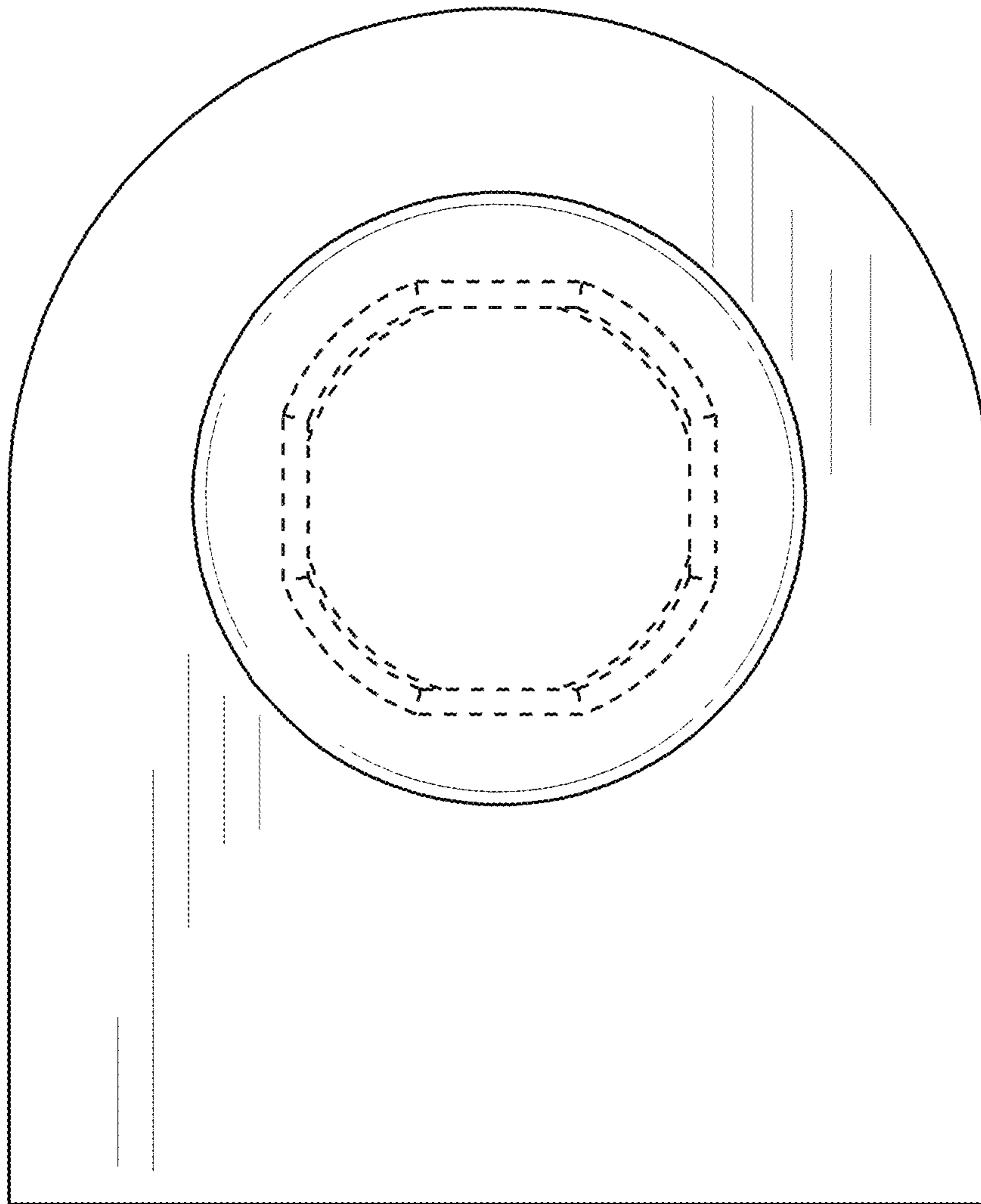
“Brick 1x1 Round with Solid Stud,” Lego Part 3062a, first produced  
in 1957 according to <http://www.peeron.com/inv/parts/3062a>  
(retrieved Aug. 24, 2015).

“Brick 1x1 Round with Hollow Stud,” Lego Part 3062b, first  
produced in 1978 according to [http://www.peeron.com/inv/parts/  
3062b](http://www.peeron.com/inv/parts/<br/>3062b) (retrieved Aug. 24, 2015).

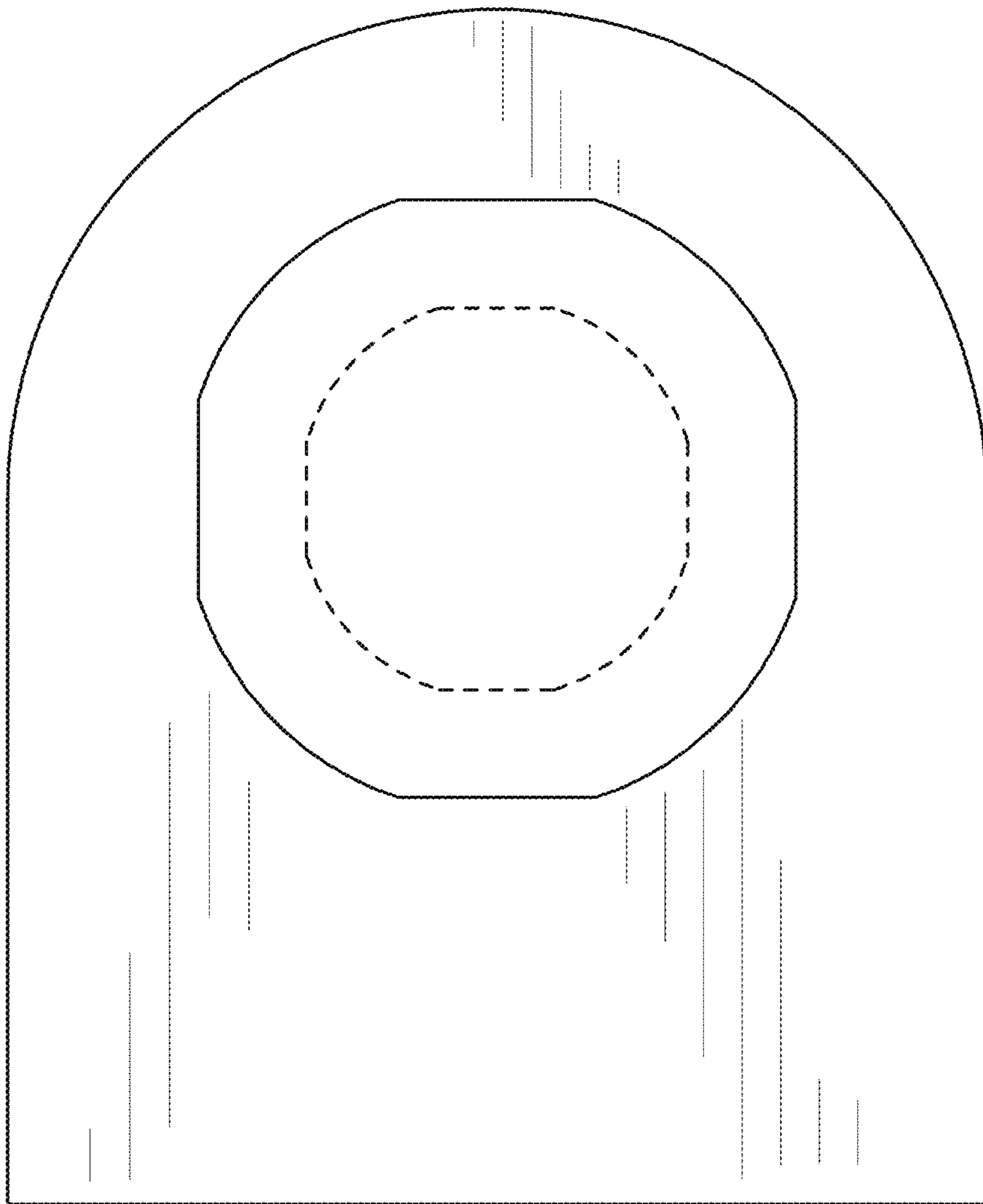
\* cited by examiner



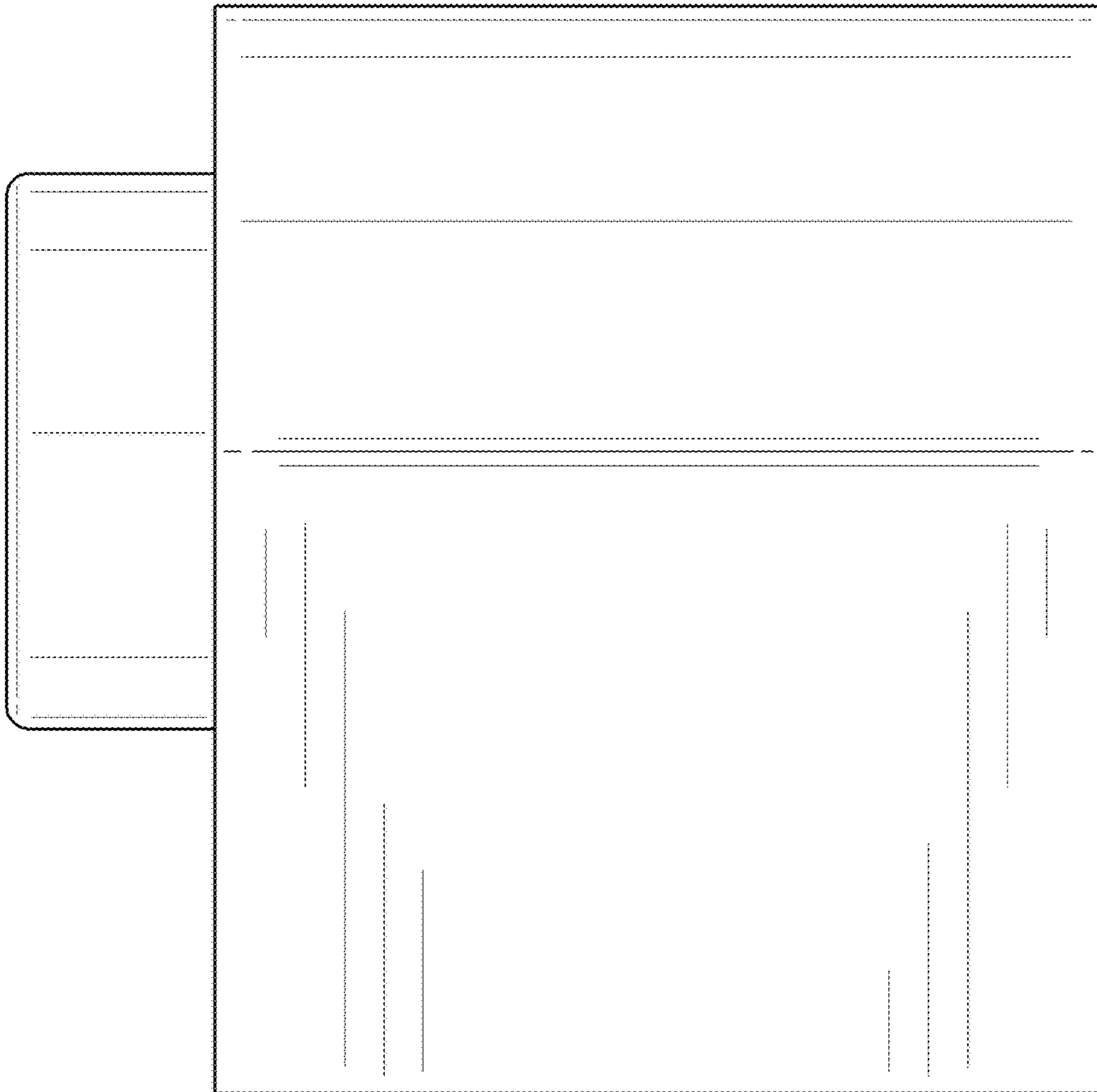
**FIG. 1**



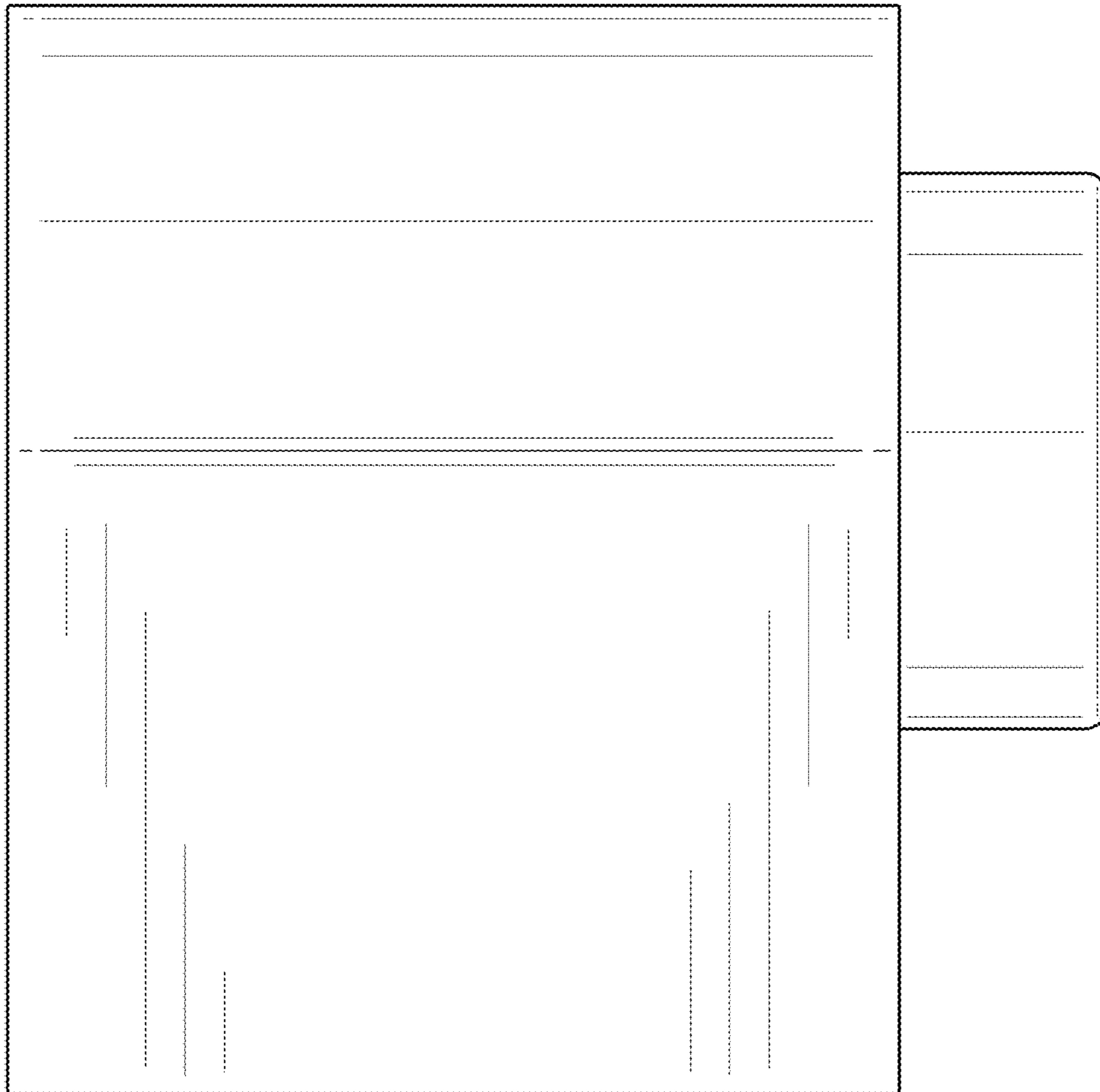
**FIG. 2**



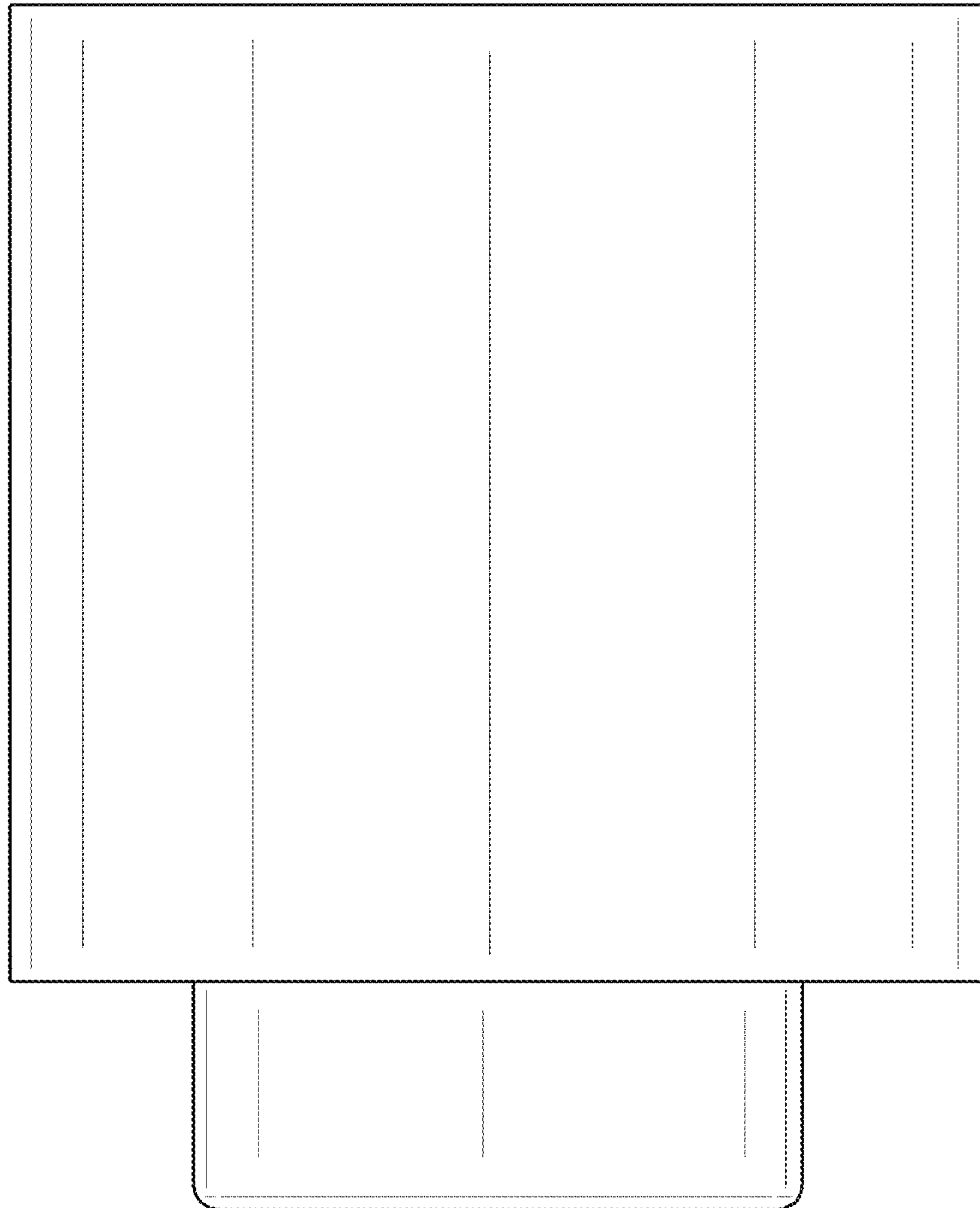
**FIG. 3**



**FIG. 4**

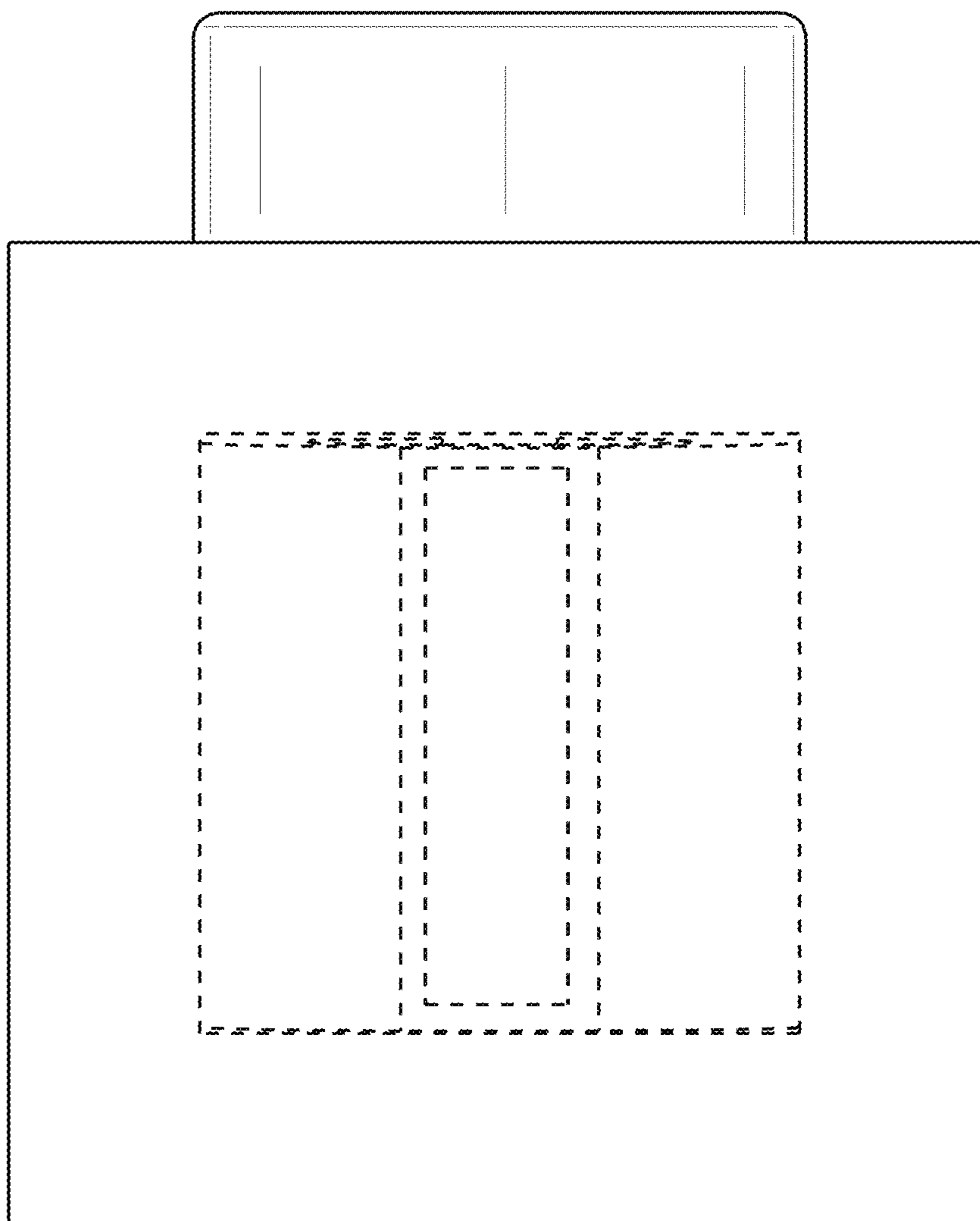


**FIG. 5**



**FIG. 6**





**FIG. 7**