



US00D809608S

(12) **United States Design Patent**
Weigand

(10) **Patent No.:** **US D809,608 S**

(45) **Date of Patent:** **** Feb. 6, 2018**

(54) **TRELLIS STRUCTURE FOR A GAMING APPARATUS**

(71) Applicant: **Gert Stefan Günter Weigand**,
Allershausen (DE)

(72) Inventor: **Gert Stefan Günter Weigand**,
Allershausen (DE)

(73) Assignee: **Gert Stefan Günter Weigand**,
Allershausen (DE)

(**) Term: **15 Years**

(21) Appl. No.: **29/575,268**

(22) Filed: **Aug. 23, 2016**

Related U.S. Application Data

(62) Division of application No. 29/518,886, filed on Feb. 27, 2015, now Pat. No. Des. 767,683.

(51) **LOC (11) Cl.** **21-01**

(52) **U.S. Cl.**

USPC **D21/333**; D21/300

(58) **Field of Classification Search**

USPC D21/300, 301, 302, 314, 318, 338, 339,
D21/355, 363, 834, 837, 811; 273/317,
273/317.1, 108, 108.1, 148 R, 459;
463/1, 29-25, 46, 47; 446/476, 478;
47/20.1, 42

CPC .. A01G 9/12; A01G 9/22; E02B 17/00; E02B
17/08

See application file for complete search history.

(56) **References Cited**

U.S. PATENT DOCUMENTS

2,763,096 A * 9/1956 Roger A01G 9/12
47/41.01

3,105,327 A * 10/1963 Gasper A01G 9/12
47/47

D217,169 S * 4/1970 Allen 273/287
D358,849 S * 5/1995 McClellan D21/300
5,906,078 A * 5/1999 Cramer E04H 15/646
135/121

6,758,014 B2 * 7/2004 Chen A01G 9/14
135/121

D525,314 S * 7/2006 Elkhoury D21/337

D652,462 S * 1/2012 Sun D21/300

9,033,617 B2 * 5/2015 Perol B63B 9/065
405/203

9,149,008 B1 * 10/2015 Schemmel A01G 9/12

9,167,755 B1 * 10/2015 Kampman A01G 9/12

* cited by examiner

Primary Examiner — Prabhakar G Deshmukh

(74) *Attorney, Agent, or Firm* — Kilpatrick, Townsend &
Stockton, LLP

(57) **CLAIM**

The ornamental design for trellis structure for a gaming apparatus, as shown and described.

DESCRIPTION

FIG. 1 is a perspective view of a trellis structure for a gaming apparatus showing my new design;

FIG. 2 is a front elevational view thereof;

FIG. 3 is a left side elevational view thereof;

FIG. 4 is a top plan view thereof;

FIG. 5 is a perspective view thereof, shown in environmental use with an additional pedestal structure;

FIG. 6 is a perspective view similar to FIG. 5, shown in environmental use with another additional gaming features and screen display;

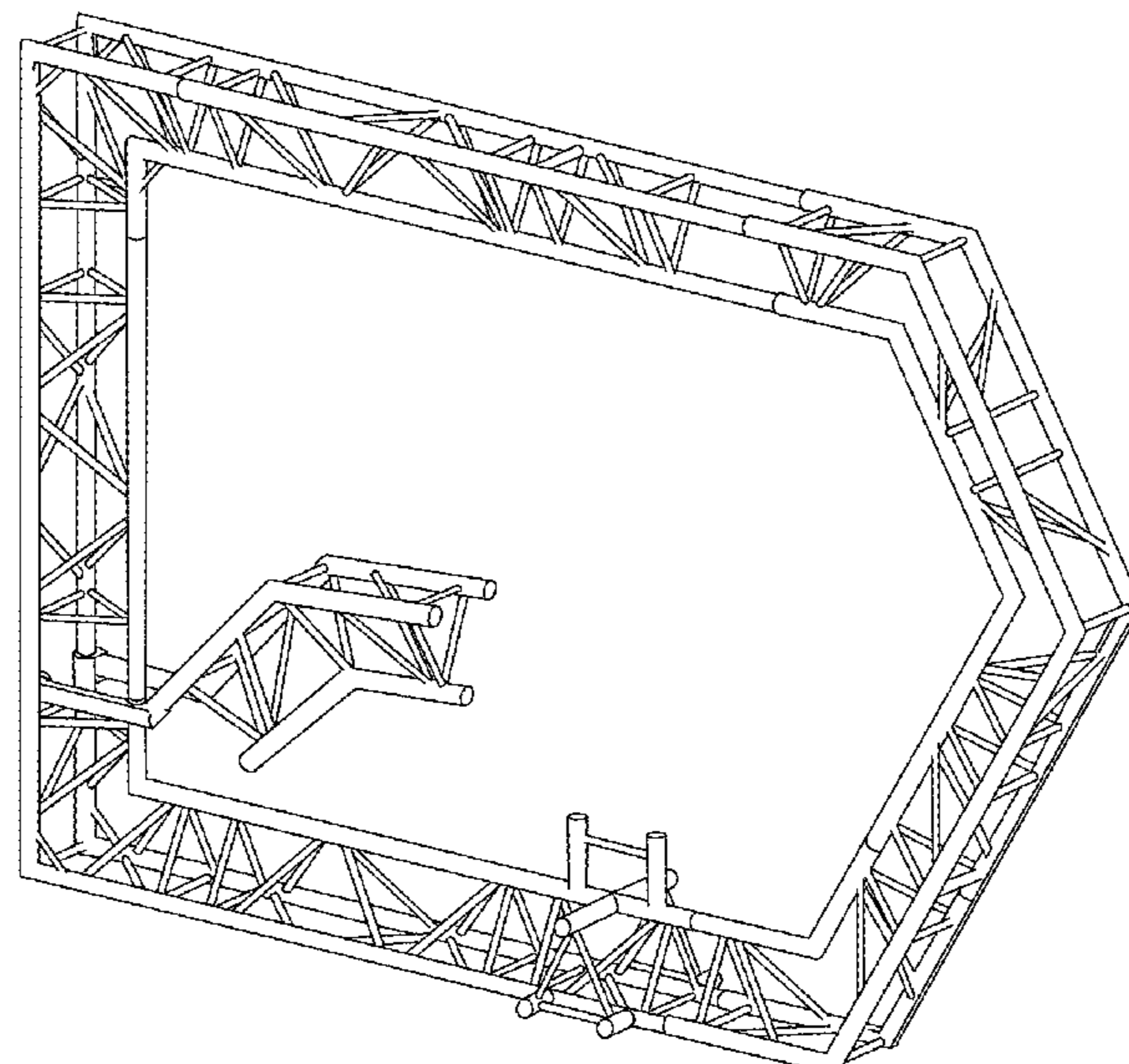
FIG. 7 is a front elevational view of FIG. 6;

FIG. 8 is a perspective view thereof, similar to FIG. 6, shown with an alternate curved screen display; and,

FIG. 9 is a top plan view of FIG. 8.

The broken lines illustrate environmental features and form no part of the claimed design.

1 Claim, 9 Drawing Sheets



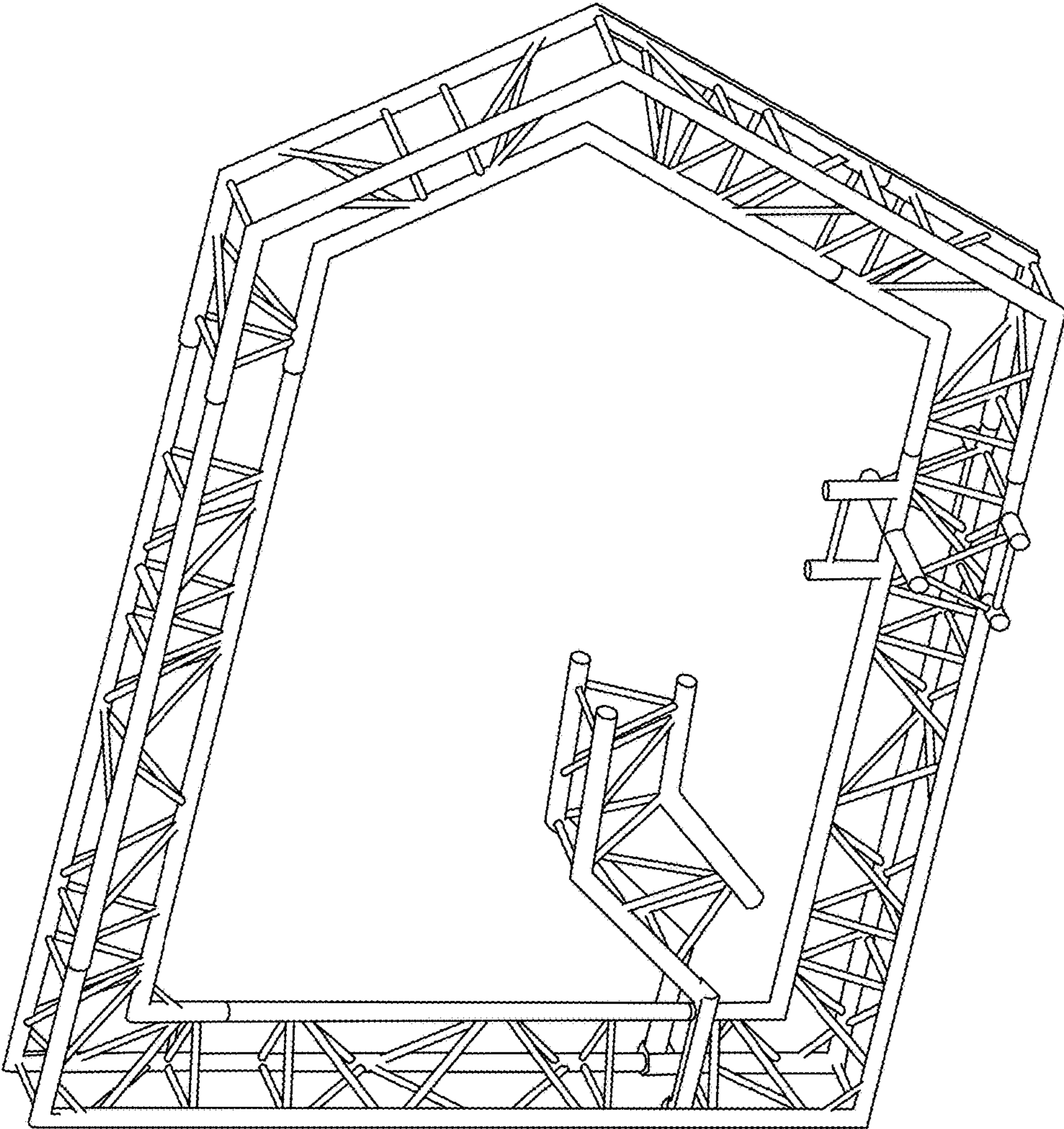


FIG. 1

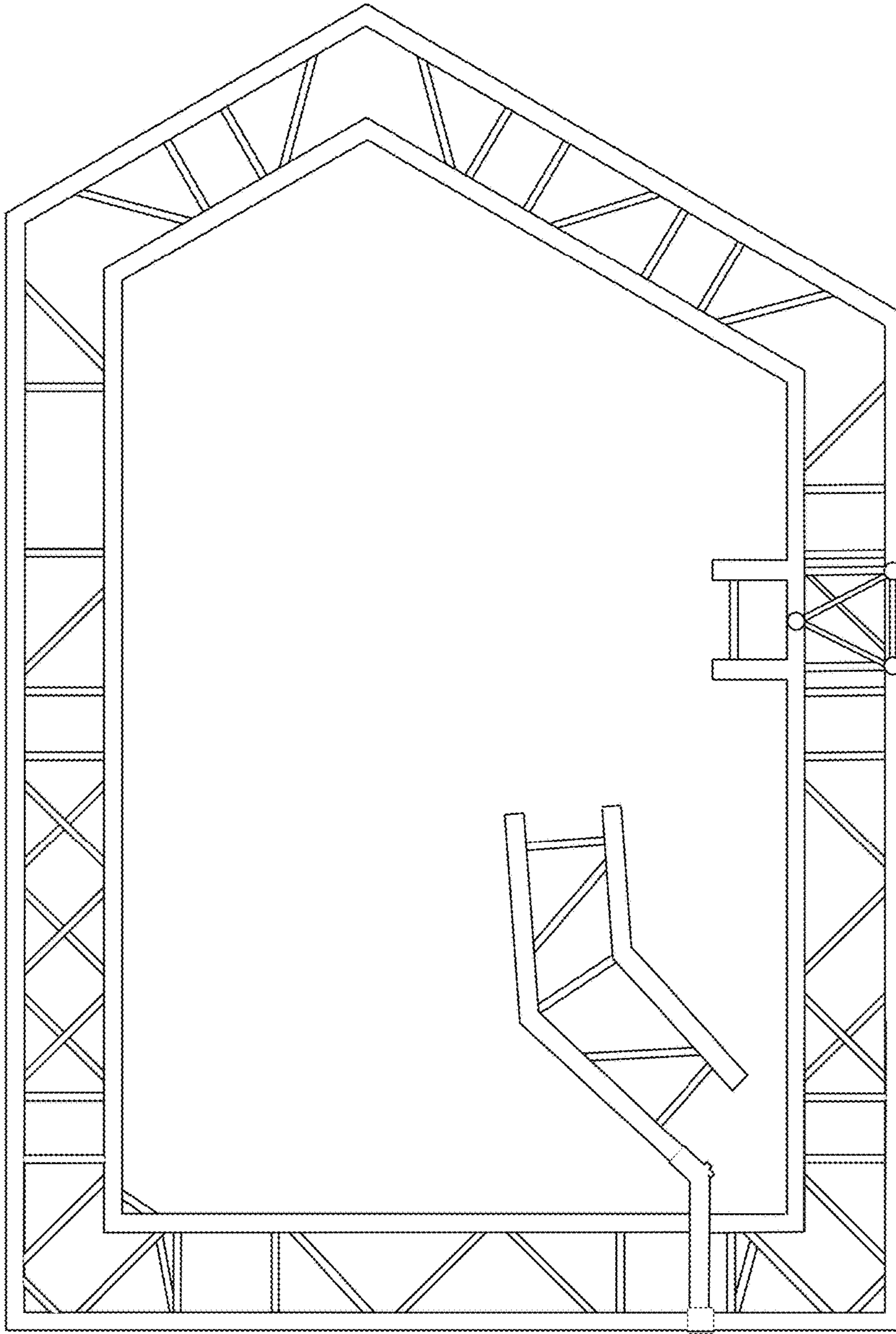


FIG. 2

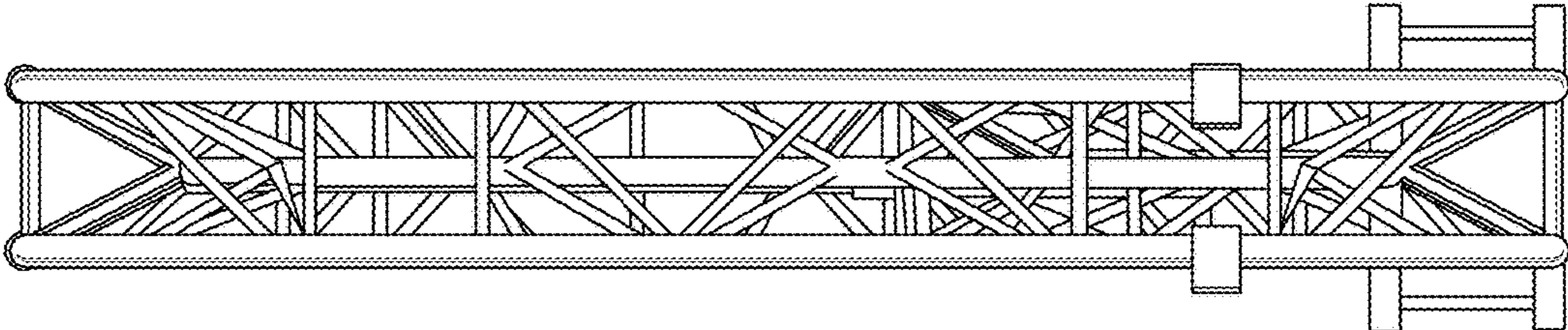


FIG. 3

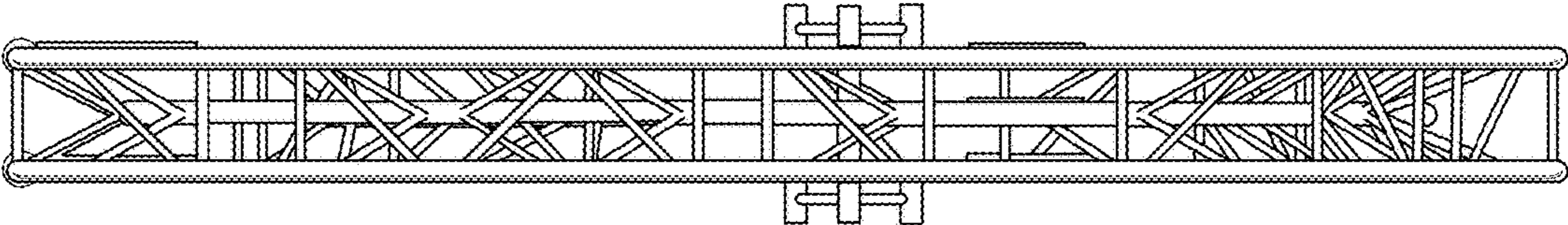


FIG. 4

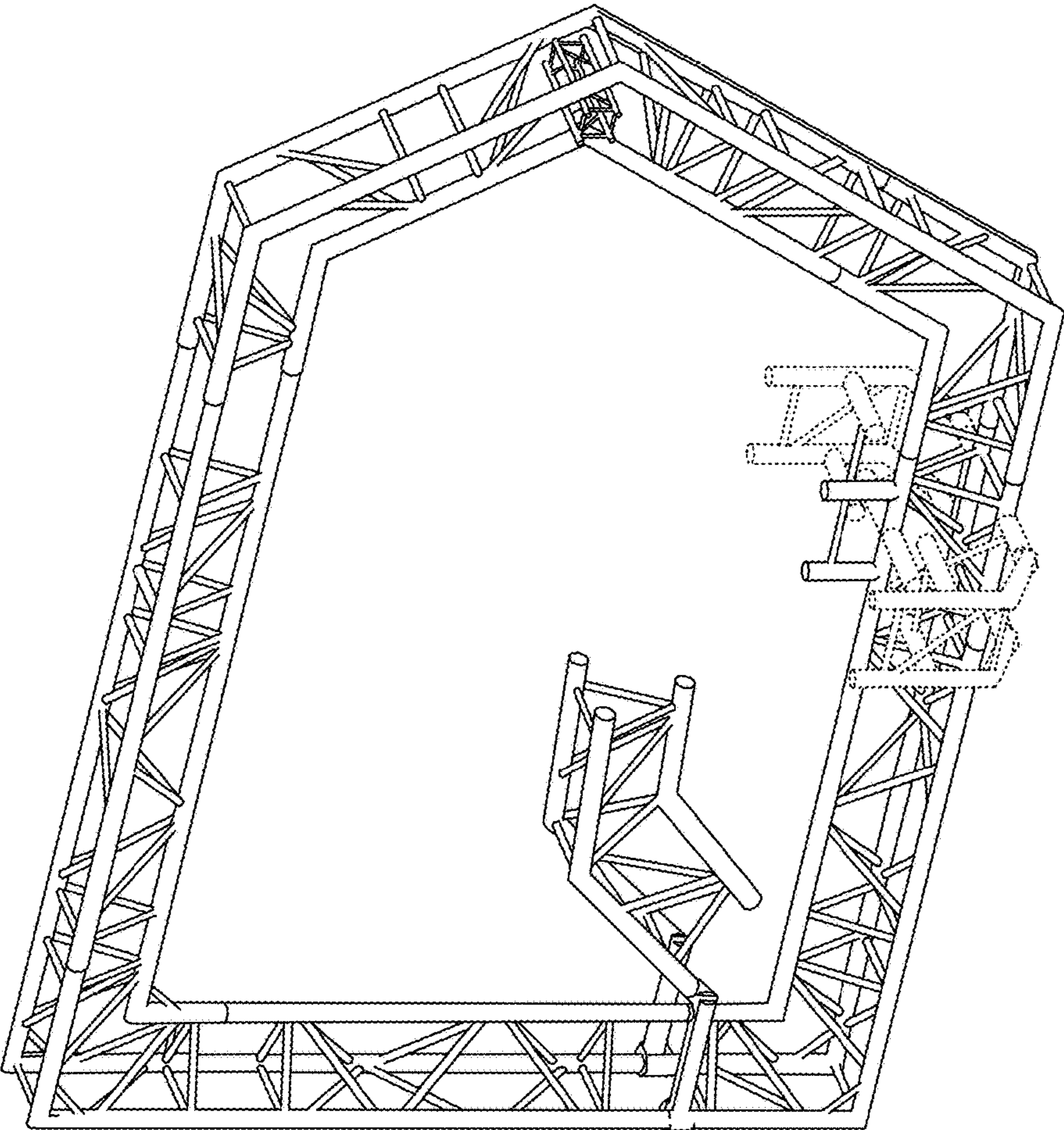


FIG. 5

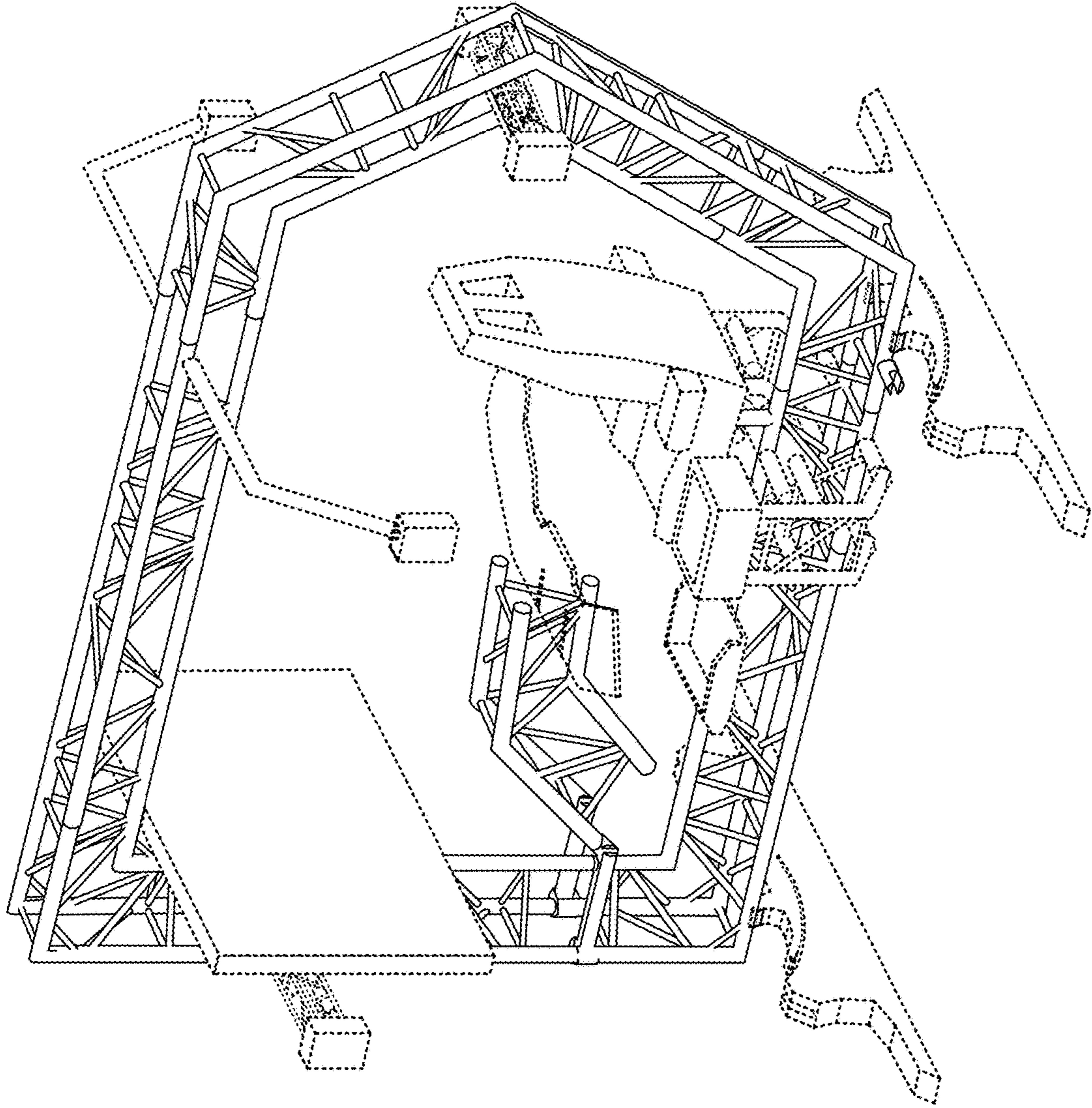


FIG. 6

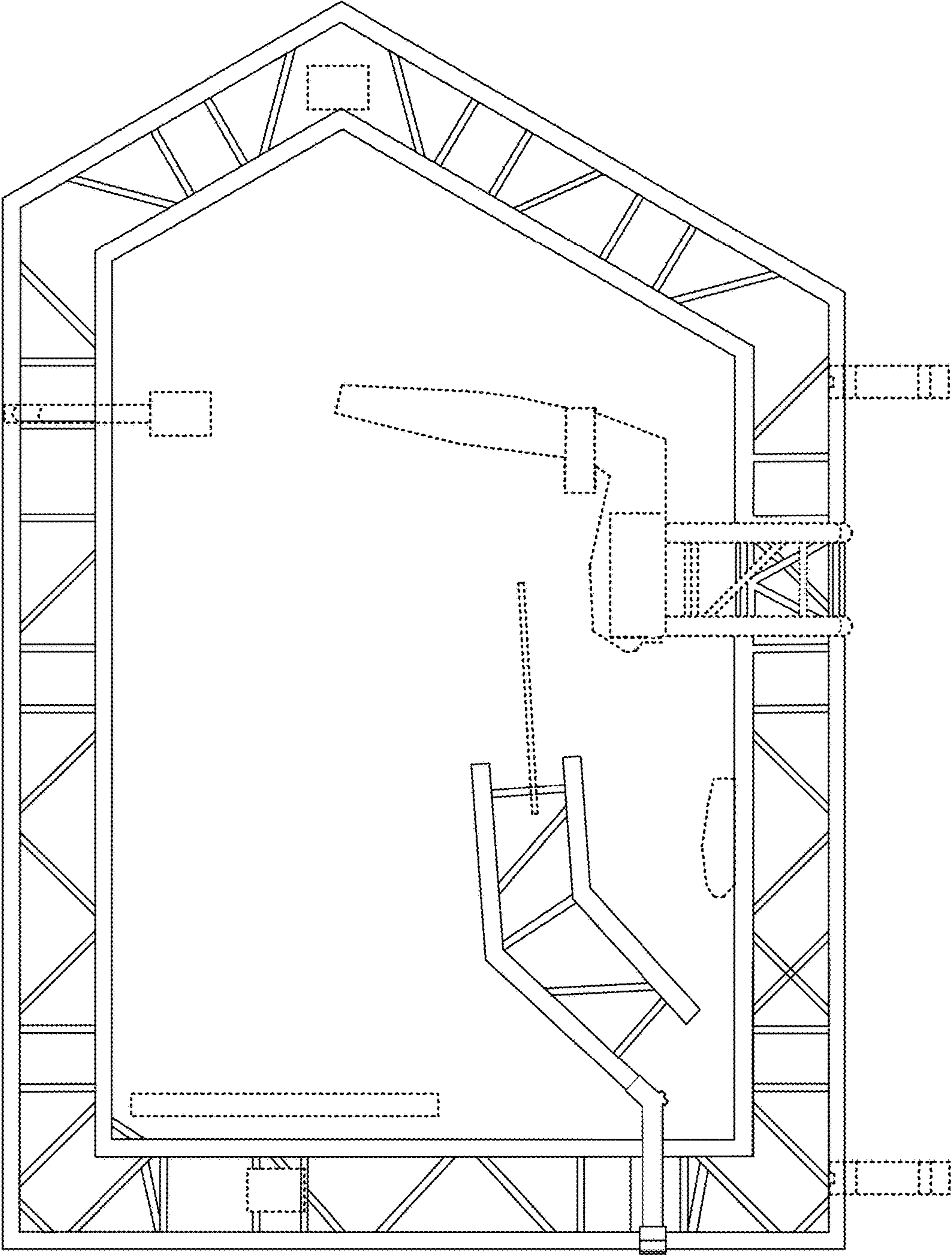


FIG. 7

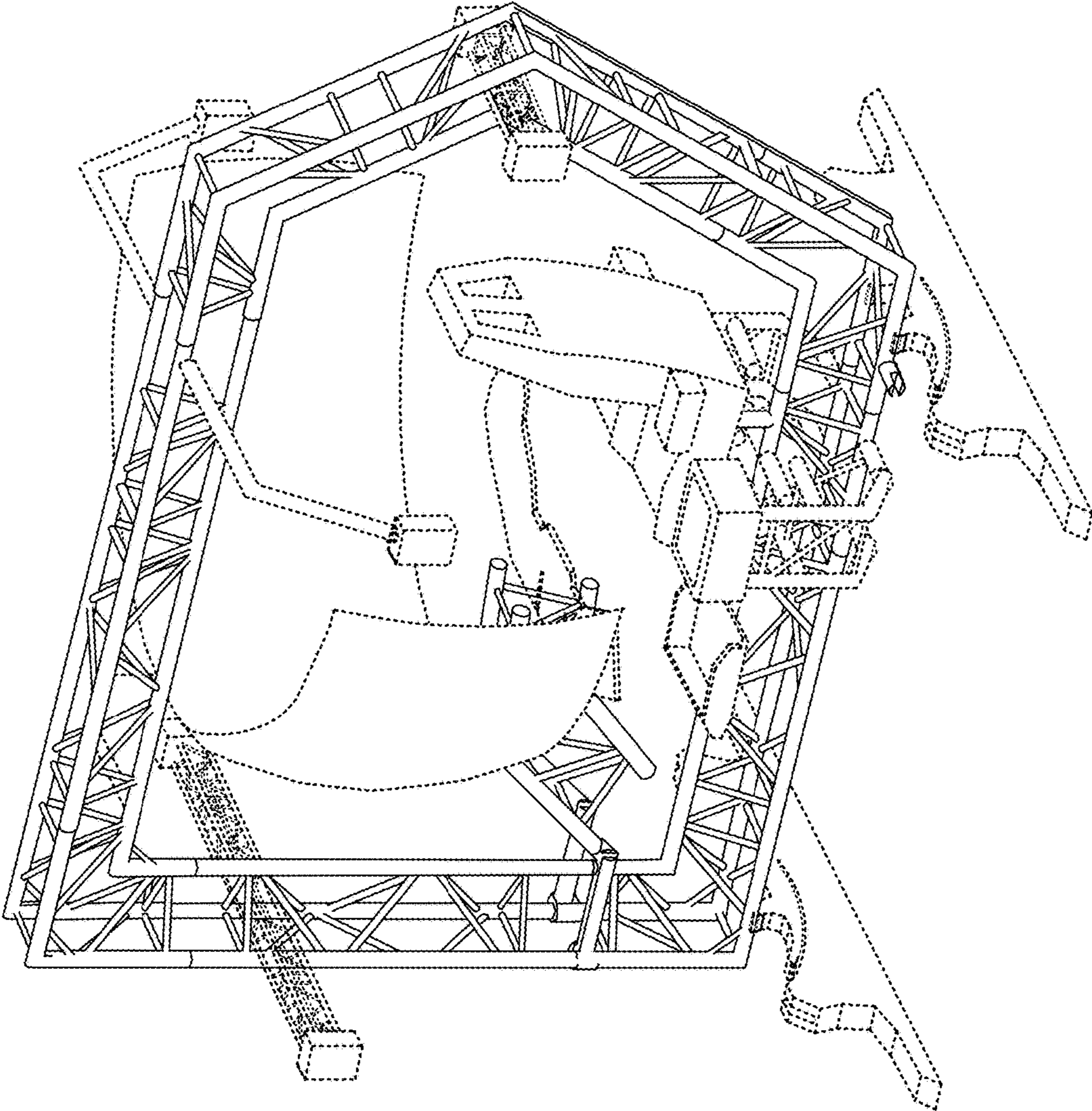


FIG. 8

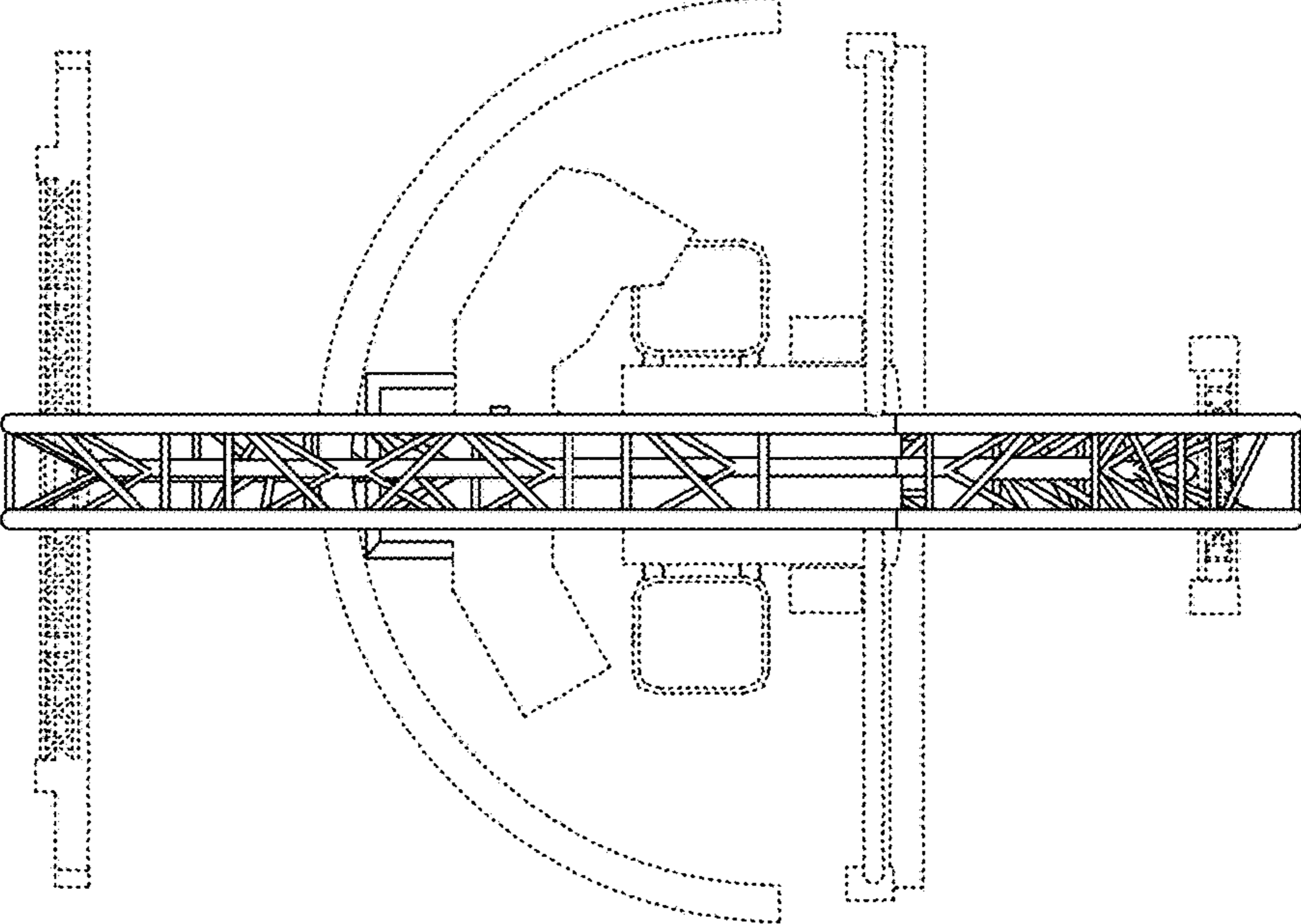


FIG. 9