



US00D809603S

(12) **United States Design Patent**  
**Munson**

(10) **Patent No.:** **US D809,603 S**

(45) **Date of Patent:** **\*\* Feb. 6, 2018**

- (54) **PEN GRIP**
- (71) Applicant: **SADDLEBACK LEATHER COMPANY, LLC**, Fort Worth, TX (US)
- (72) Inventor: **David C. Munson**, San Antonio, TX (US)
- (73) Assignee: **Saddleback Leather Company, LLC**, Fort Worth, TX (US)
- (\*\*) Term: **15 Years**
- (21) Appl. No.: **29/557,954**
- (22) Filed: **Mar. 14, 2016**
- (51) **LOC (11) Cl.** ..... **19-06**
- (52) **U.S. Cl.**  
USPC ..... **D19/203**
- (58) **Field of Classification Search**  
USPC ..... D14/411; D19/115-204; D28/7, 76, 88  
CPC ... B43K 5/00; B43K 7/00; B43K 7/12; B43K 8/04; B43K 8/06; B43K 19/00; B43K 19/02; B43K 19/14; B43K 24/08; B43K 24/084; B43K 23/004; B43K 23/008; B43K 23/02

See application file for complete search history.

(56) **References Cited**

U.S. PATENT DOCUMENTS

- 141,287 A \* 7/1873 Orndorff ..... B43K 23/004  
15/443
- 144,337 A \* 11/1873 Illfelder ..... B43K 29/02  
15/431
- 447,873 A \* 3/1891 Hanimann ..... B43K 29/02  
15/424
- 503,995 A \* 8/1893 Stebbins ..... B43K 23/012  
15/227
- 561,635 A \* 6/1896 Walsh ..... G01G 3/02  
177/233

- 1,182,246 A \* 5/1916 Bridges ..... B43K 3/00  
15/444
- 2,594,955 A \* 4/1952 Markowitz ..... B43K 23/001  
131/257
- 2,709,419 A \* 5/1955 Appel ..... B43K 23/012  
15/443
- 4,459,059 A \* 7/1984 Greenspan ..... B43K 23/122  
24/11 F
- D286,650 S \* 11/1986 Fischer ..... 401/6
- 4,738,556 A \* 4/1988 Brown ..... B43K 23/012  
15/443
- D311,421 S \* 10/1990 Mardock ..... D19/135
- 4,964,192 A \* 10/1990 Marui ..... B62K 21/26  
16/421
- 5,868,509 A \* 2/1999 Crutcher ..... B43K 23/012  
401/7
- 6,019,533 A \* 2/2000 Smith ..... B43K 23/008  
15/443
- 6,942,408 B2 \* 9/2005 Smith ..... B43K 29/00  
401/131
- D535,693 S \* 1/2007 Gahlow ..... D19/168

(Continued)

*Primary Examiner* — Elizabeth Albert

(74) *Attorney, Agent, or Firm* — Alston & Bird LLP

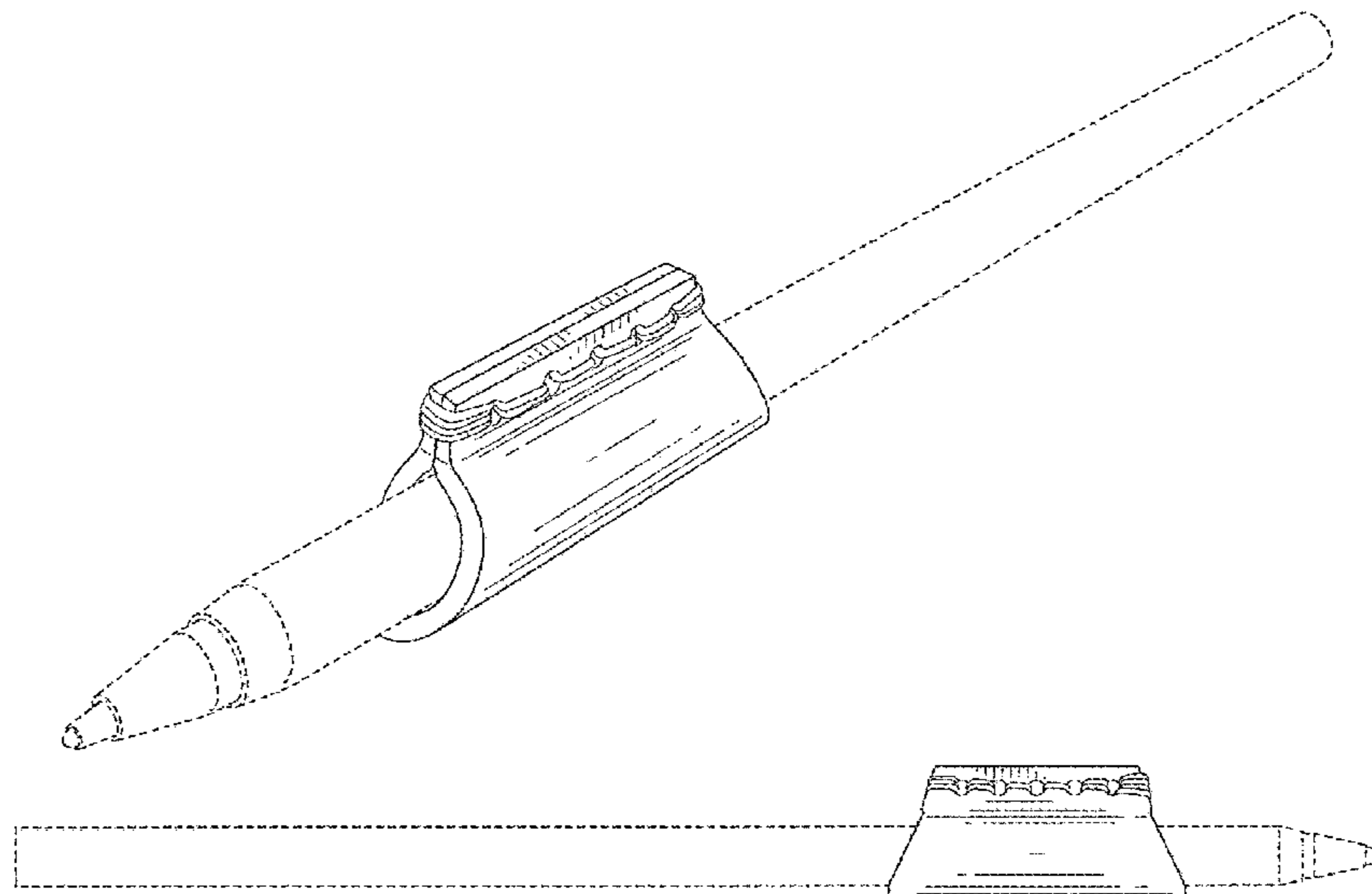
(57) **CLAIM**

The ornamental design for a pen grip, as shown and described.

**DESCRIPTION**

FIG. 1 is a perspective view of a pen grip according to our new design;  
 FIG. 2 is a front elevation view thereof;  
 FIG. 3 is a back elevation view thereof;  
 FIG. 4 is a right side elevation view thereof;  
 FIG. 5 is a left side elevation view thereof;  
 FIG. 6 is a top elevation view thereof; and,  
 FIG. 7 is a bottom plan view thereof.  
 The broken lines in FIGS. 1 to 7 are included to show a feature that forms no part of the claimed design.

**1 Claim, 4 Drawing Sheets**



(56)

**References Cited**

U.S. PATENT DOCUMENTS

D551,296 S \* 9/2007 Greenberg ..... D19/135  
8,235,262 B1 \* 8/2012 Sakdol ..... A42B 3/04  
224/183  
D667,877 S \* 9/2012 Renner ..... D19/186  
D671,168 S \* 11/2012 Renner ..... D19/186

\* cited by examiner

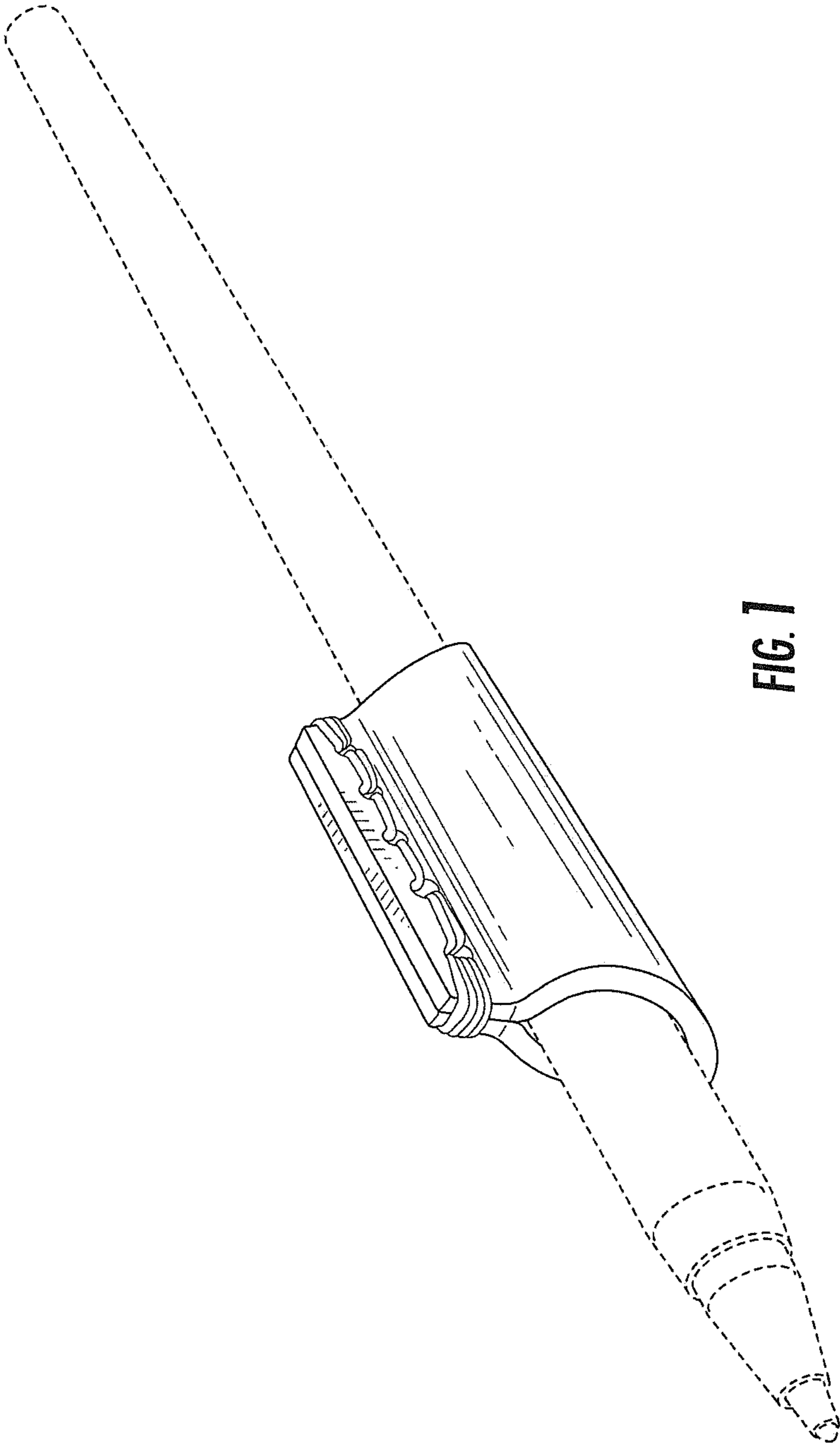


FIG. 1

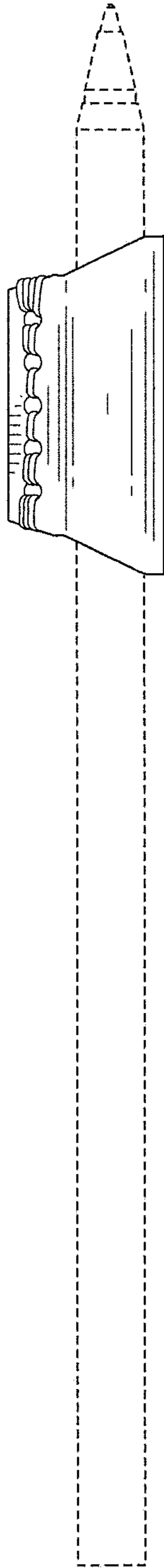


FIG. 2

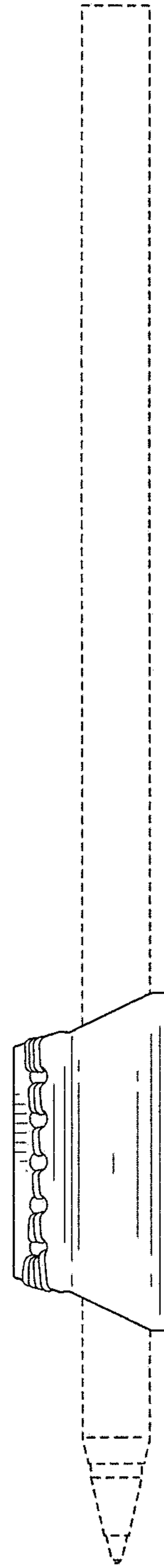


FIG. 3

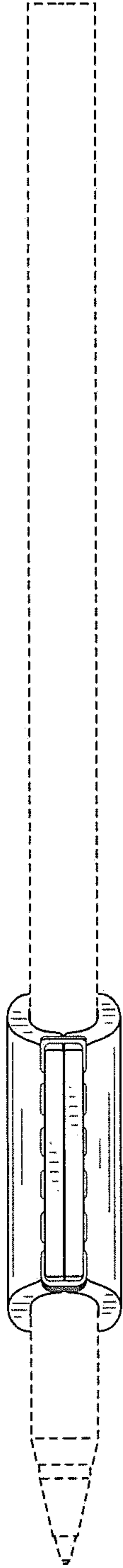


FIG. 4

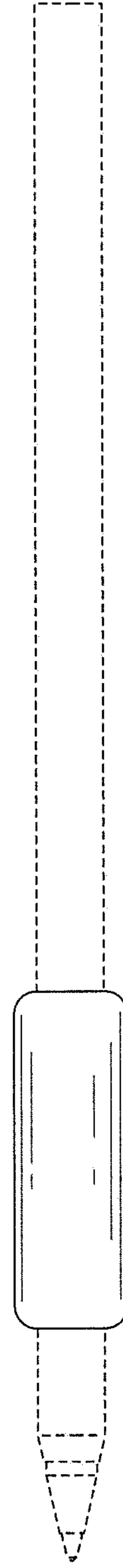
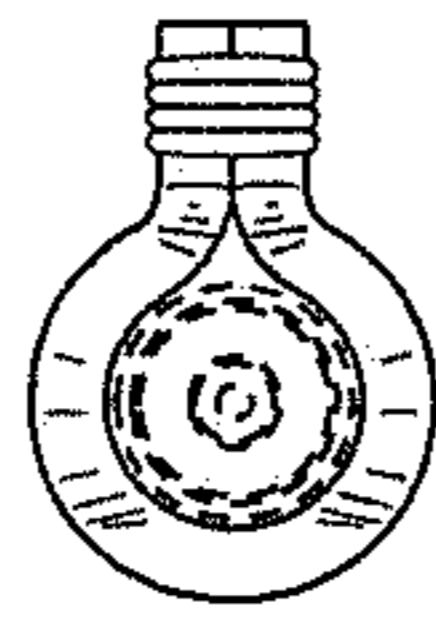
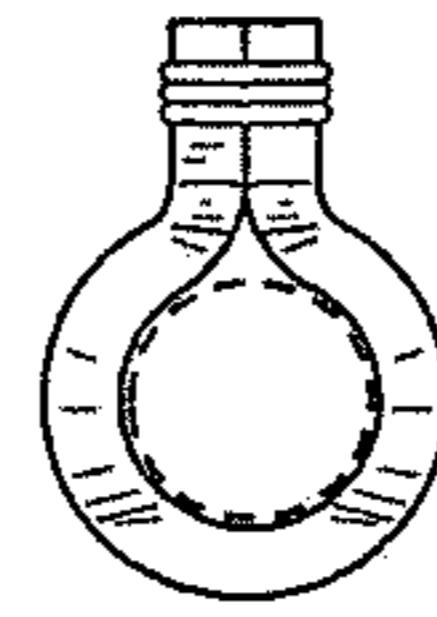


FIG. 5



**FIG. 6**



**FIG. 7**