



US00D809599S

(12) **United States Design Patent** (10) **Patent No.:** **US D809,599 S**
Costas (45) **Date of Patent:** **** Feb. 6, 2018**

(54) **DRY ERASE BOARD WITH NOTE HOLDER**

D715,860 S 10/2014 Costas
D715,861 S 10/2014 Costas
D716,377 S 10/2014 Costas

(71) Applicant: **Trophius Pty Ltd.**, Cremorne (AU)

(Continued)

(72) Inventor: **Eric Costas**, Cremorne (AU)

FOREIGN PATENT DOCUMENTS

(73) Assignee: **Trophius Pty Ltd.**, Cremorne (AU)

AU 346443 1/2013
AU 346543 1/2013

(**) Term: **15 Years**

OTHER PUBLICATIONS

(21) Appl. No.: **29/584,493**

(22) Filed: **Nov. 15, 2016**

(51) **LOC (11) Cl.** **19-06**

(52) **U.S. Cl.**
USPC **D19/113**

(58) **Field of Classification Search**

USPC D19/100, 101-102, 113-114, 1-2, 99,
D19/121, 65, 86, 90-91; D6/300-314;
40/585, 584; 434/408, 417, 425, 428,
434/421, 430; 211/89.01; 248/441.1,
248/451, 447.2; 312/231, 230; D20/10,
D20/42, 41; D8/394-395

CPC B43L 1/00; B43L 1/04; B43L 3/00; B43L
3/005; A45C 11/34; G09F 15/00; G09F
15/0056; G09F 15/0018; G09F 15/0006

See application file for complete search history.

“Office Depot Brand 4-Piece Stainless Steel Magnet Hook Set, Assorted Shapes (No Shape Choice)”; Office Depot; disclosure date unknown but prior to date of filing the present application; URL: <<http://www.officedepot.com/a/products/352108/Office-Depot-Brand-4-Piece-Stainless/>>.

Primary Examiner — Abraham Bahta

(74) *Attorney, Agent, or Firm* — Banner & Witcoff, Ltd.

(57) **CLAIM**

The ornamental design for a dry erase board with note holder, as shown and described.

DESCRIPTION

FIG. 1 is a front perspective view of a dry erase board with note holder showing my new design; FIG. 2 is a front view thereof; FIG. 3 is a bottom view thereof; FIG. 4 is a top view thereof; FIG. 5 is a right side view thereof; and, FIG. 6 is a left side view thereof.

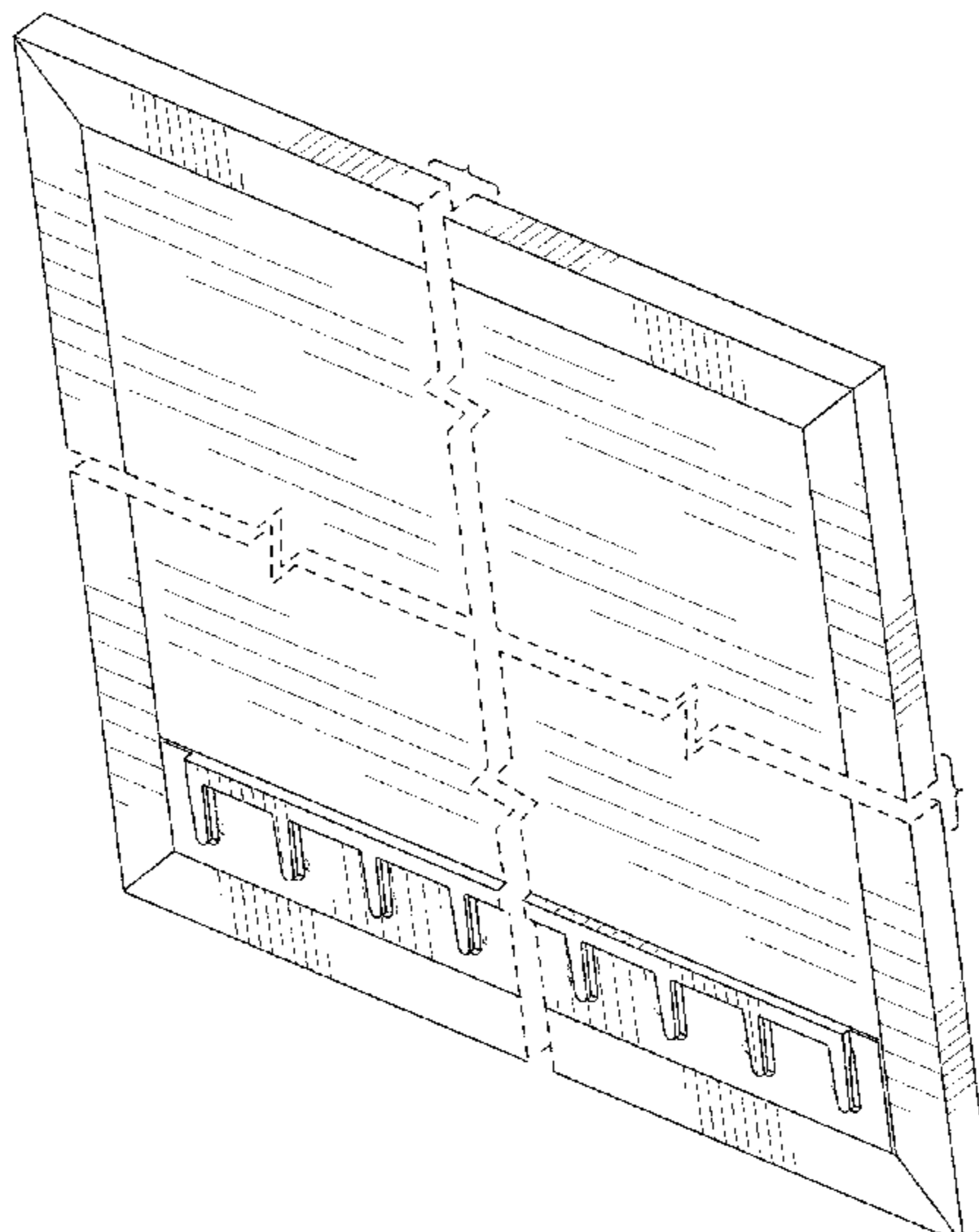
The broken lines immediately adjacent to the shaded area represent unclaimed boundary of the claimed design. The broken away middle portion of FIGS. 1-6 indicates that the dry erase board with note holder has no specific length and width. The broken away portion forms no part of the claimed design. Other broken line showing of portions of the claimed design is included for the purpose of illustrating environment structure and forms no part of the claimed design.

(56) **References Cited**

U.S. PATENT DOCUMENTS

D251,124 S 2/1979 Takeuchi
D327,095 S 6/1992 Meyer
D451,134 S 11/2001 Fonfeder
D487,289 S 3/2004 Richter
D507,302 S * 7/2005 Chen D19/113
D521,068 S * 5/2006 Newbould D19/113
7,040,051 B2 5/2006 Windorski
D586,396 S * 2/2009 Kang D19/113
D589,089 S * 3/2009 Loerakker D19/113
D589,560 S * 3/2009 Beno
D645,515 S 9/2011 Williams, Sr.
D715,859 S 10/2014 Costas

1 Claim, 4 Drawing Sheets



(56)

References Cited

U.S. PATENT DOCUMENTS

D719,217 S	12/2014	Costas
D719,218 S	12/2014	Costas
D753,222 S	4/2016	Costas
D755,892 S	5/2016	Costas
2013/0200228 A1	8/2013	Costas

* cited by examiner

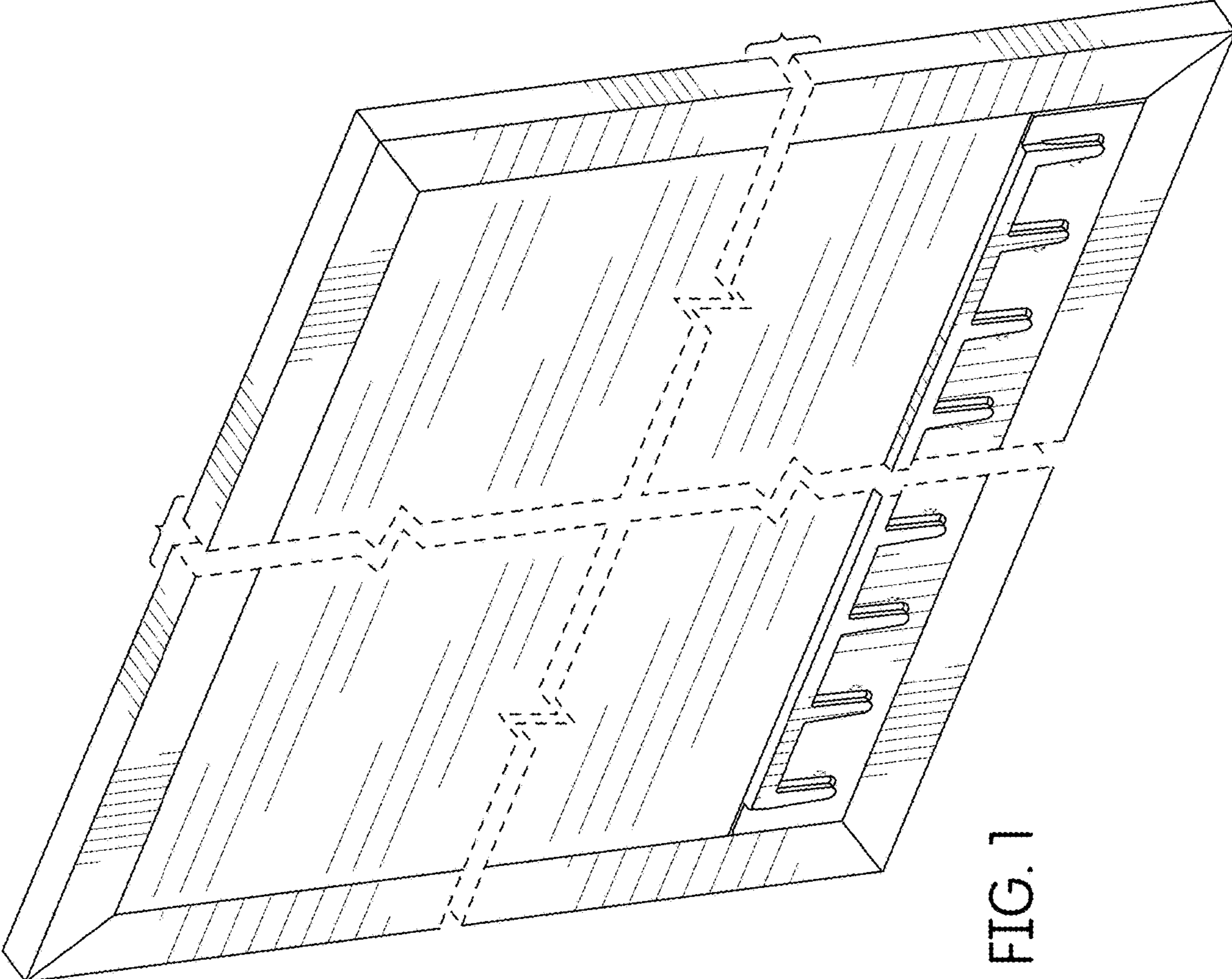


FIG. 1

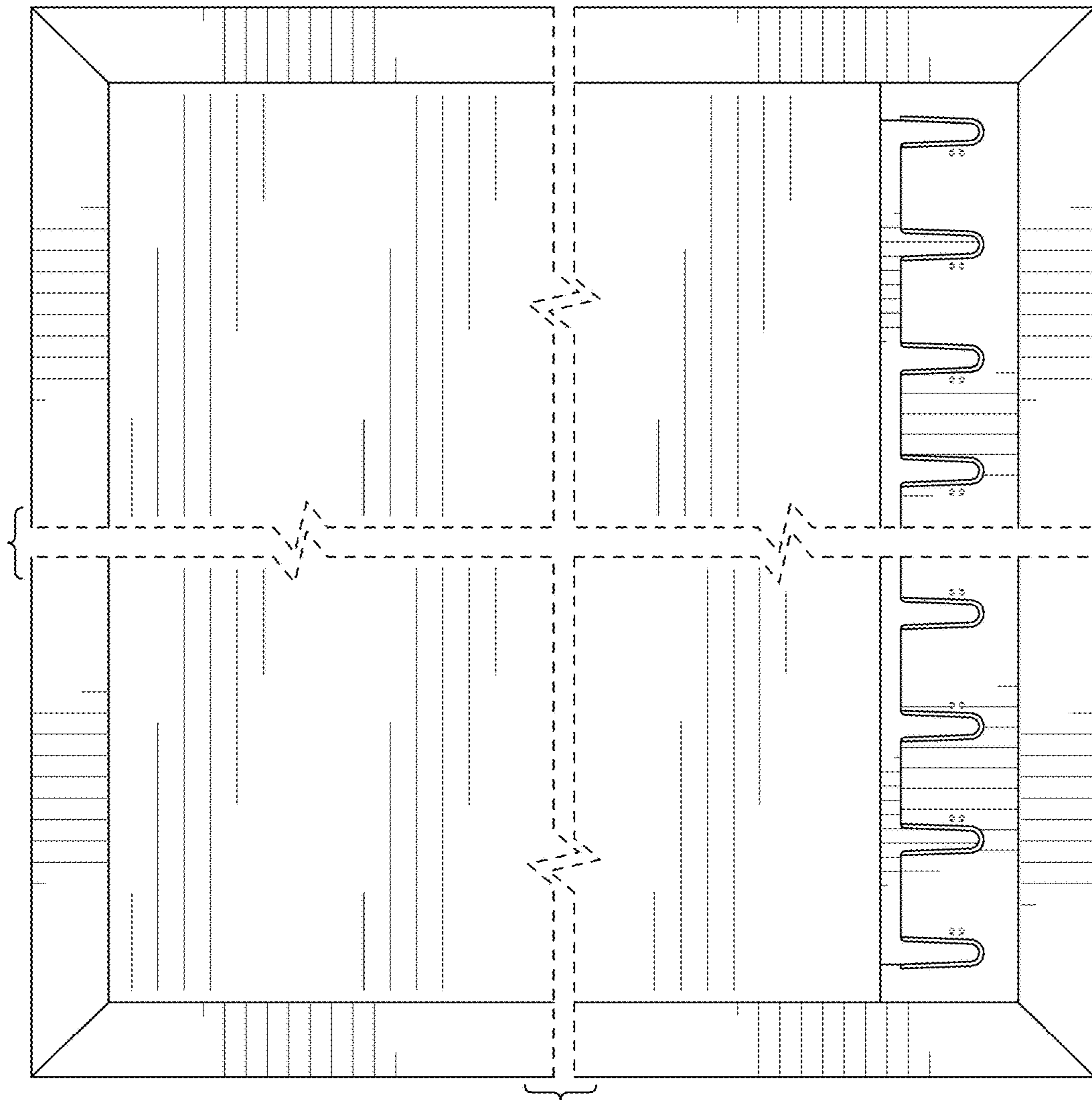


FIG. 2

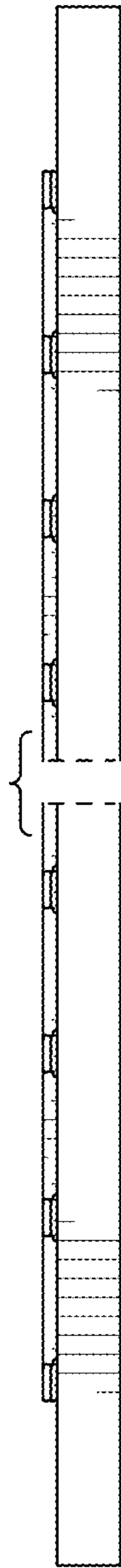


FIG. 3

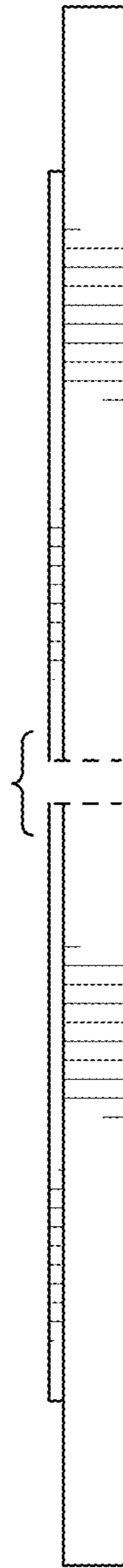


FIG. 4

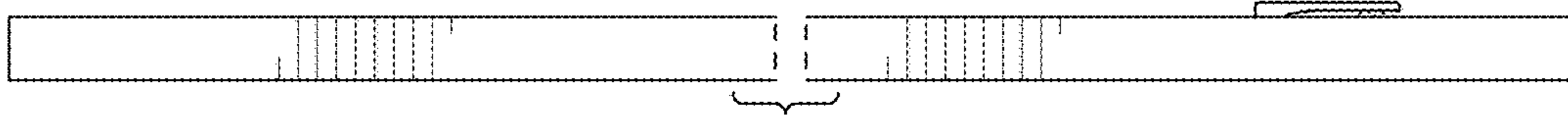


FIG. 6



FIG. 5