



US00D809596S

(12) **United States Design Patent**  
**Ishizawa et al.**

(10) **Patent No.:** **US D809,596 S**  
(45) **Date of Patent:** **\*\* Feb. 6, 2018**

- (54) **INK CARTRIDGE**
- (71) Applicant: **SEIKO EPSON CORPORATION,**  
Tokyo (JP)
- (72) Inventors: **Taku Ishizawa,** Matsumoto (JP); **Shun Oya,** Nagano (JP); **Takumi Nagashima,** Matsumoto (JP); **Atsushi Kobayashi,** Matsumoto (JP)
- (73) Assignee: **SEIKO EPSON CORPORATION,**  
Tokyo (JP)

(\*\*) Term: **15 Years**

(21) Appl. No.: **29/579,252**

(22) Filed: **Sep. 29, 2016**

(30) **Foreign Application Priority Data**

Jul. 15, 2016 (JP) ..... 2016-015176

(51) **LOC (11) Cl.** ..... **18-02**

(52) **U.S. Cl.**  
USPC ..... **D18/56**

(58) **Field of Classification Search**  
USPC ..... D14/471, 483, 484; D18/12, 18, 36, 40,  
D18/43, 44, 56, 58, 99  
CPC . B41J 2/17; B41J 2/1721; B41J 2/1572; B41J  
2/1754; B41J 2/17503; B41J 2/17553;  
B41J 2/17556; B41J 2/16547  
See application file for complete search history.

(56) **References Cited**

**U.S. PATENT DOCUMENTS**

- D359,303 S \* 6/1995 Gray ..... D18/12
- D372,266 S \* 7/1996 Tokuda ..... D18/56

- 6,435,662 B2 \* 8/2002 Kline ..... B41J 2/175  
347/49
- 6,832,823 B1 \* 12/2004 Askeland ..... B41J 2/17513  
347/12
- D529,084 S \* 9/2006 Myers ..... D18/56
- D695,823 S \* 12/2013 Nozawa ..... D18/56
- D783,090 S \* 4/2017 Okazaki ..... D18/56
- 2011/0279585 A1 \* 11/2011 Mallory ..... B41J 2/175  
347/85
- 2017/0142826 A1 \* 5/2017 Takahashi ..... B41J 2/01
- 2017/0151793 A1 \* 6/2017 Oya ..... B41J 2/1752
- 2017/0151800 A1 \* 6/2017 Nagashima ..... B41J 2/17509
- 2017/0151802 A1 \* 6/2017 Toba ..... B41J 2/17553

\* cited by examiner

*Primary Examiner* — Garth Rademaker  
*Assistant Examiner* — Richard Kearney

(57) **CLAIM**

The ornamental design for an ink cartridge, as shown and described.

**DESCRIPTION**

FIG. 1 is a front, bottom and right side perspective view of an ink cartridge showing our new design; FIG. 2 is a rear, bottom and left side perspective view thereof; FIG. 3 is a front view thereof; FIG. 4 is a rear view thereof; FIG. 5 is a top plan view thereof; FIG. 6 is a bottom plan view thereof; FIG. 7 is a right side view thereof; and, FIG. 8 is a left side view thereof. The broken lines shown in the drawings illustrate portion of the ink cartridge that form no part of the claimed design.

**1 Claim, 8 Drawing Sheets**

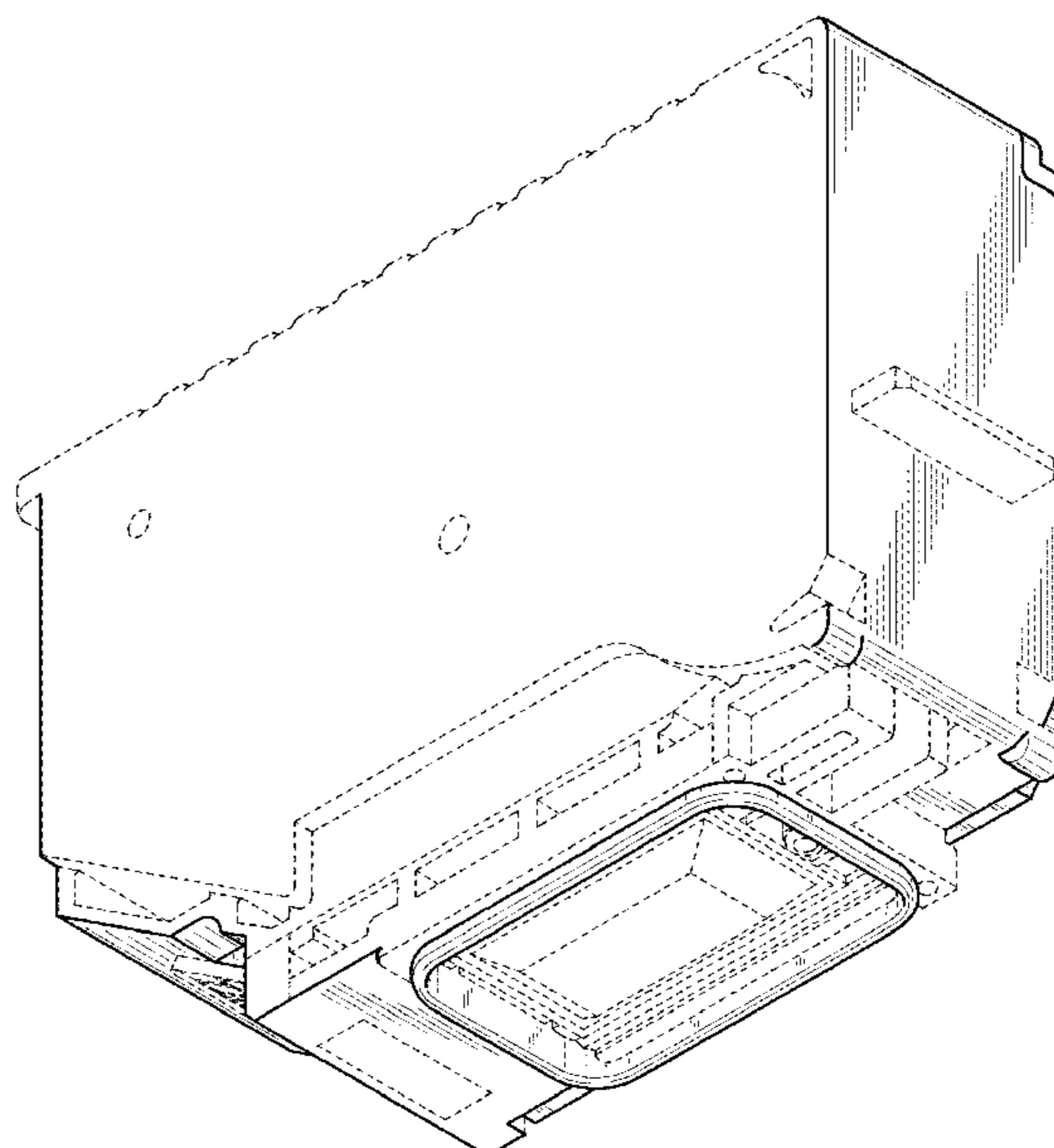
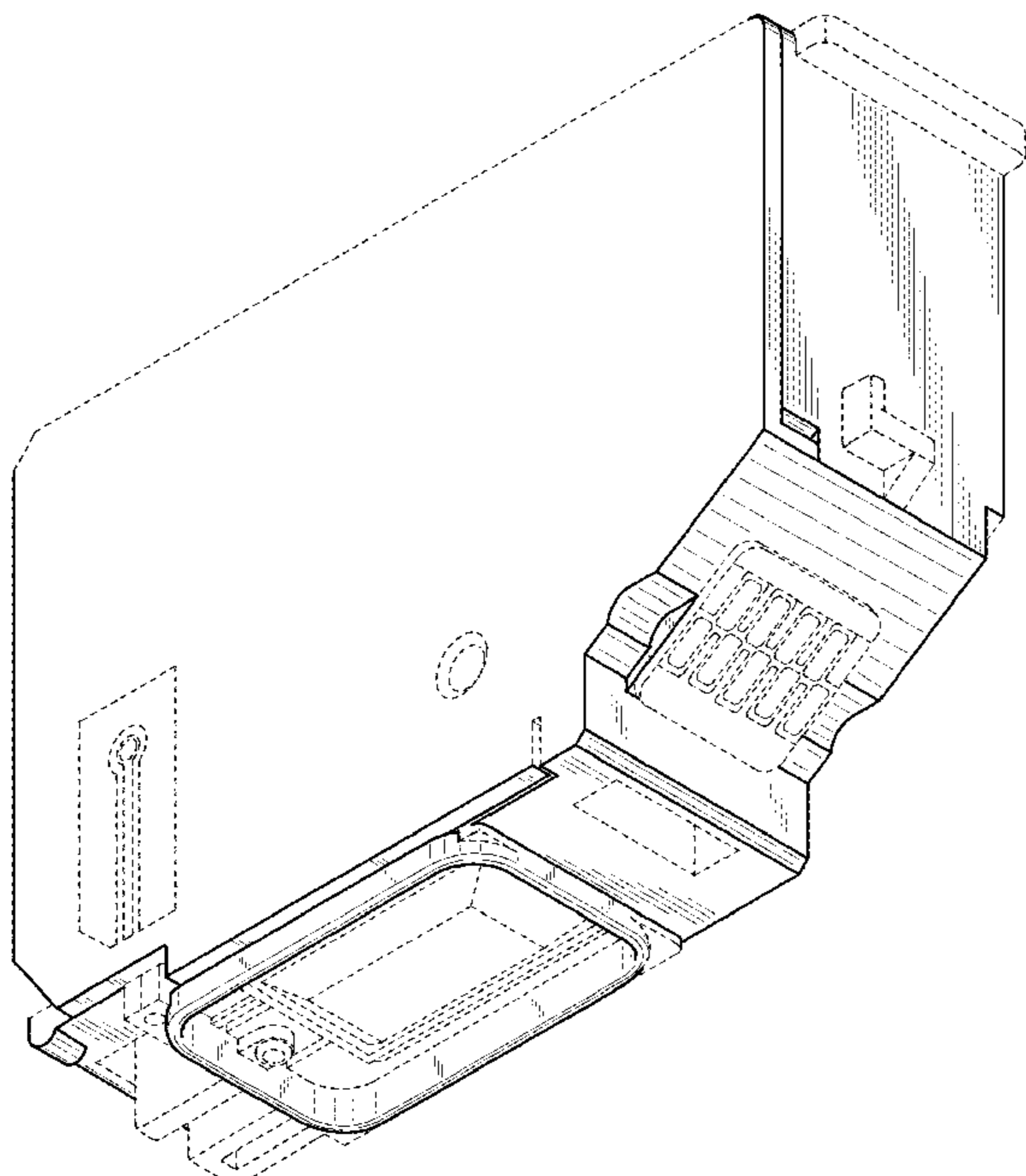


Fig.1

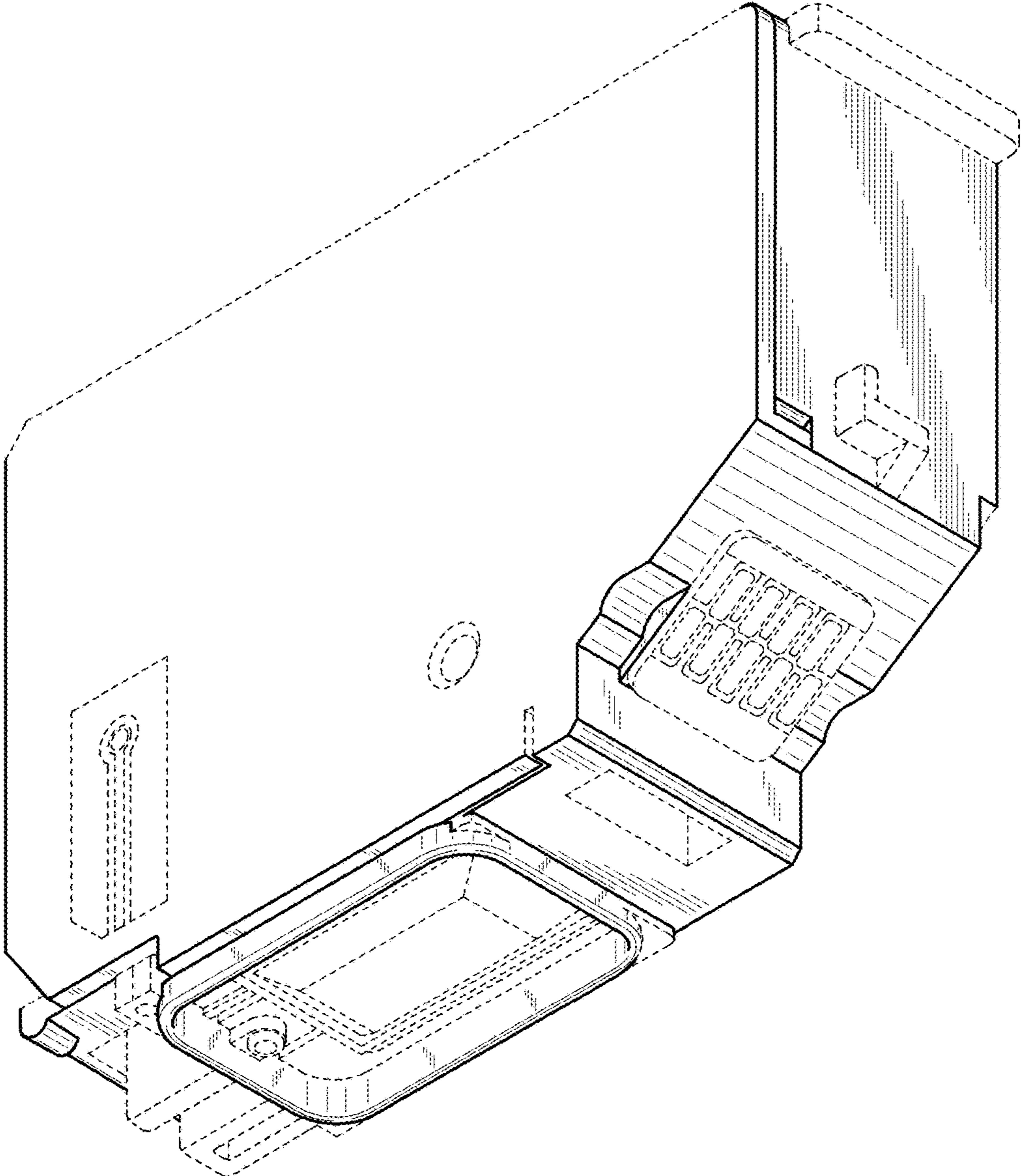


Fig.2

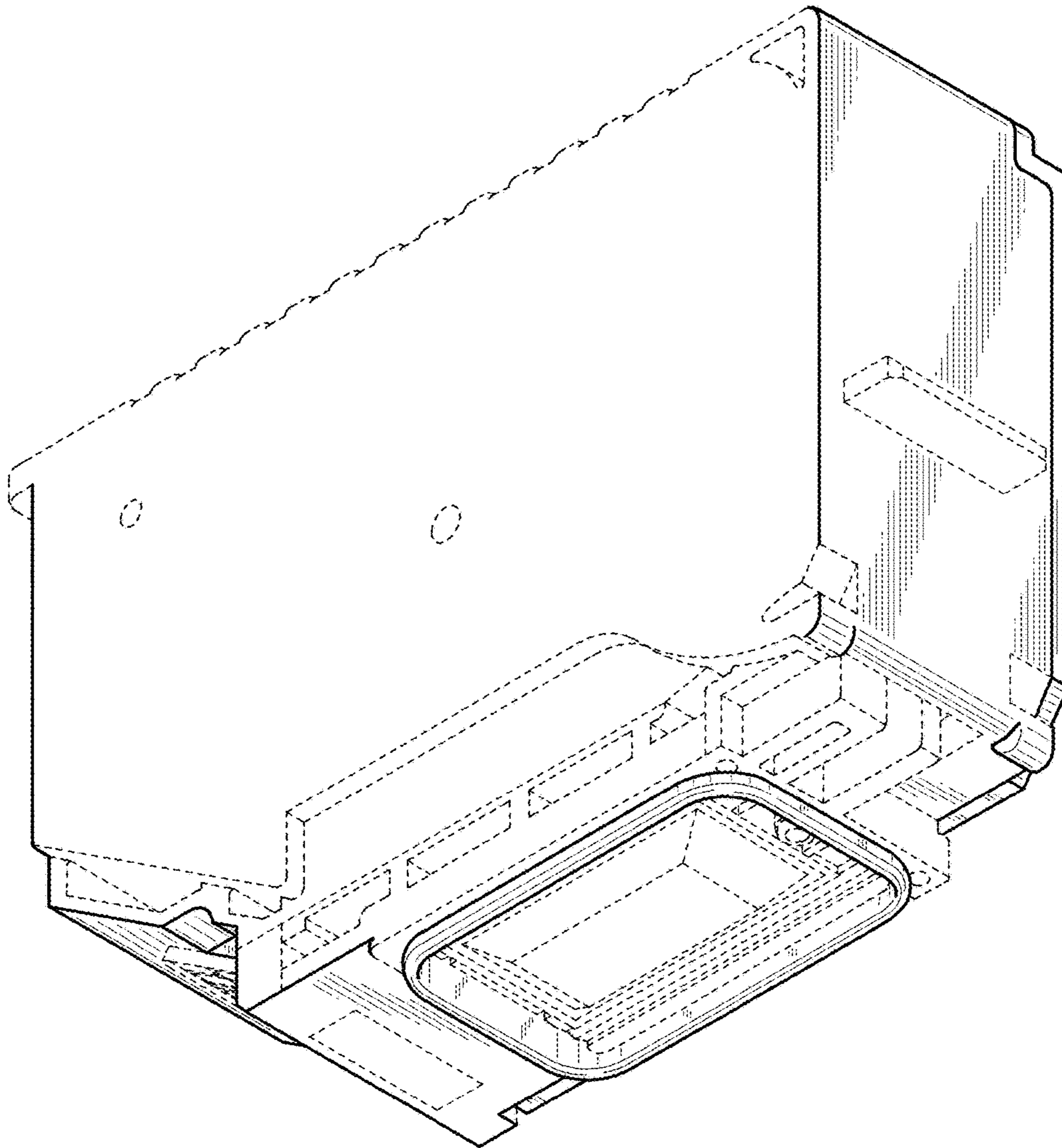


Fig.3

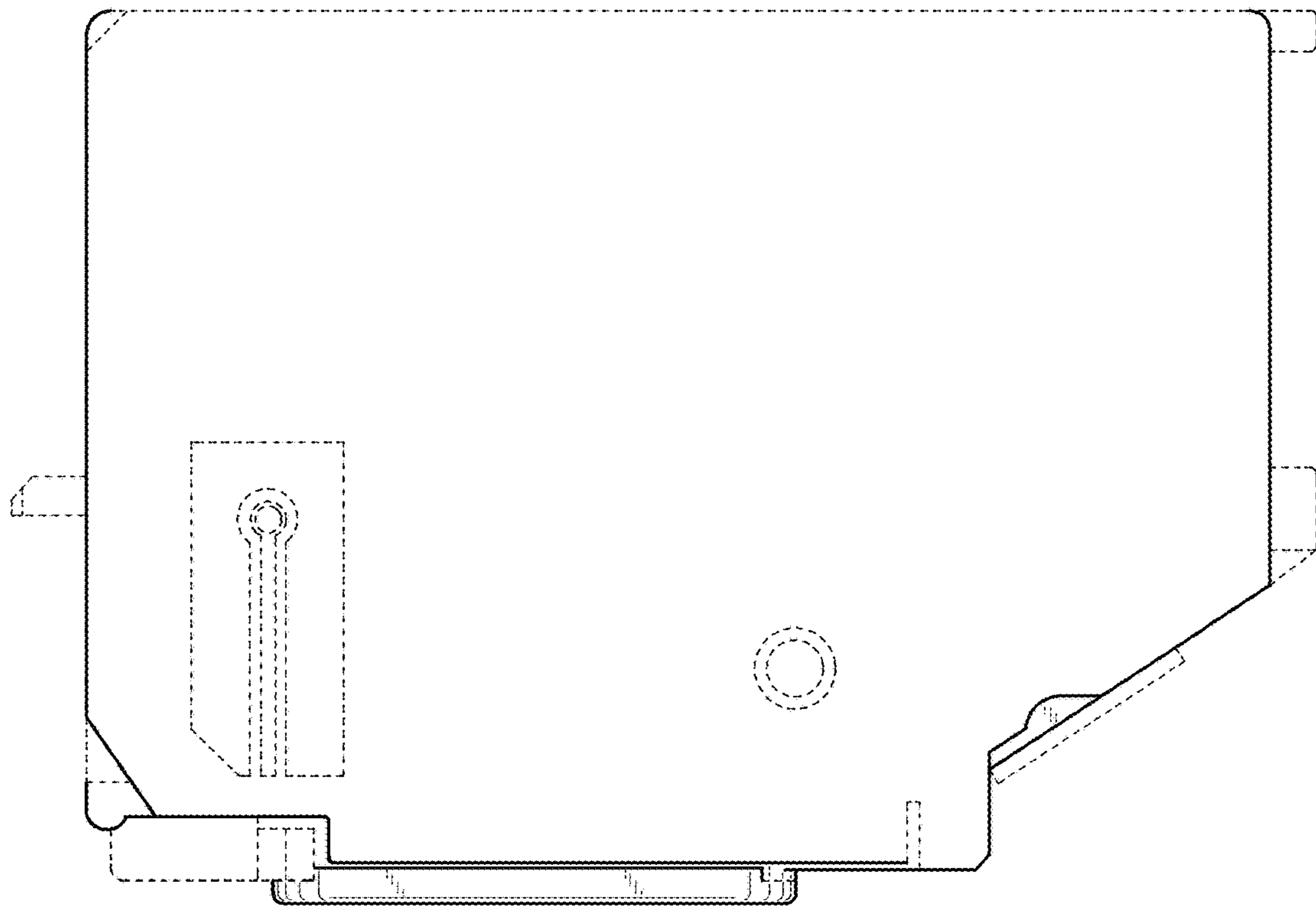


Fig.4

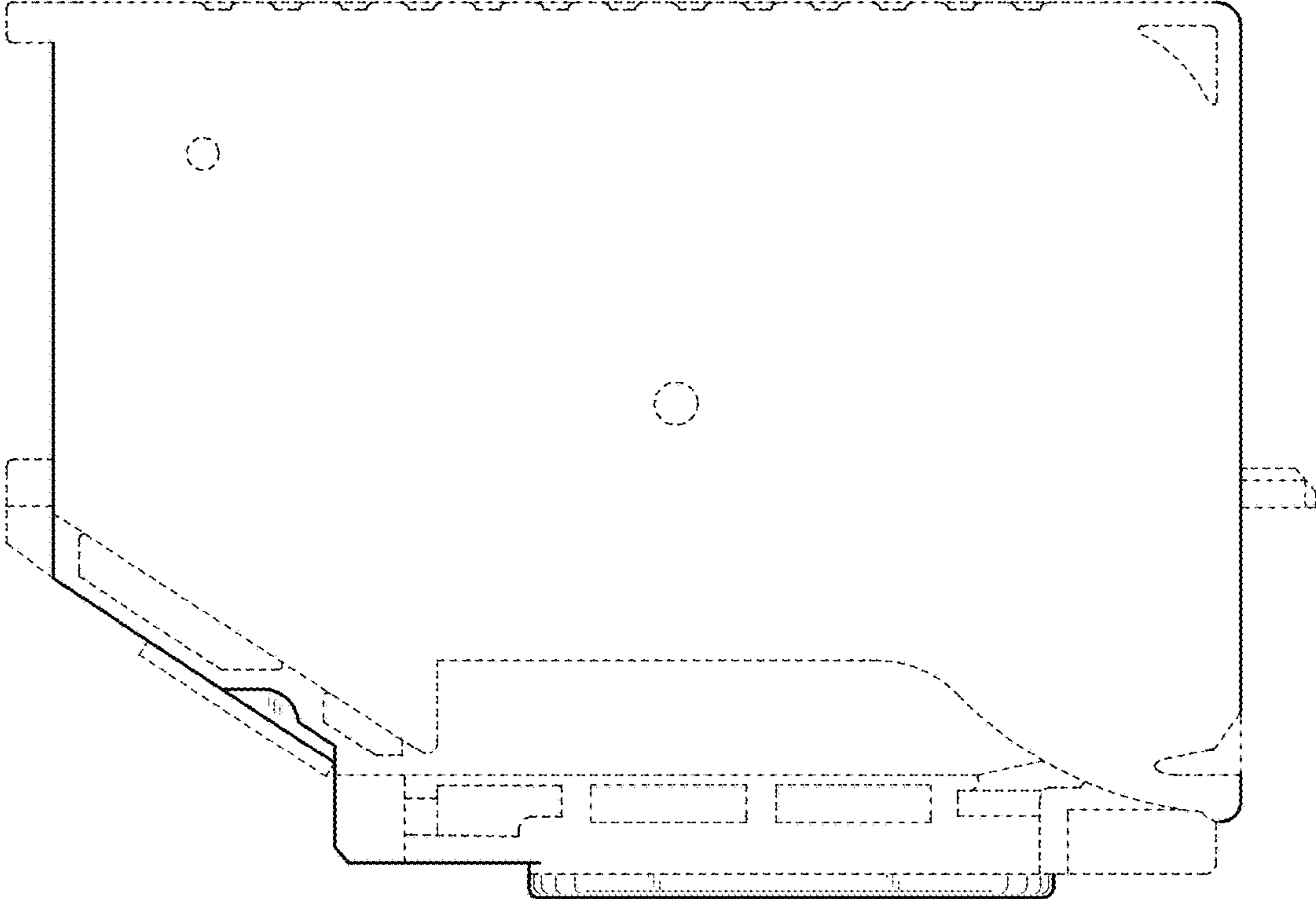


Fig.5

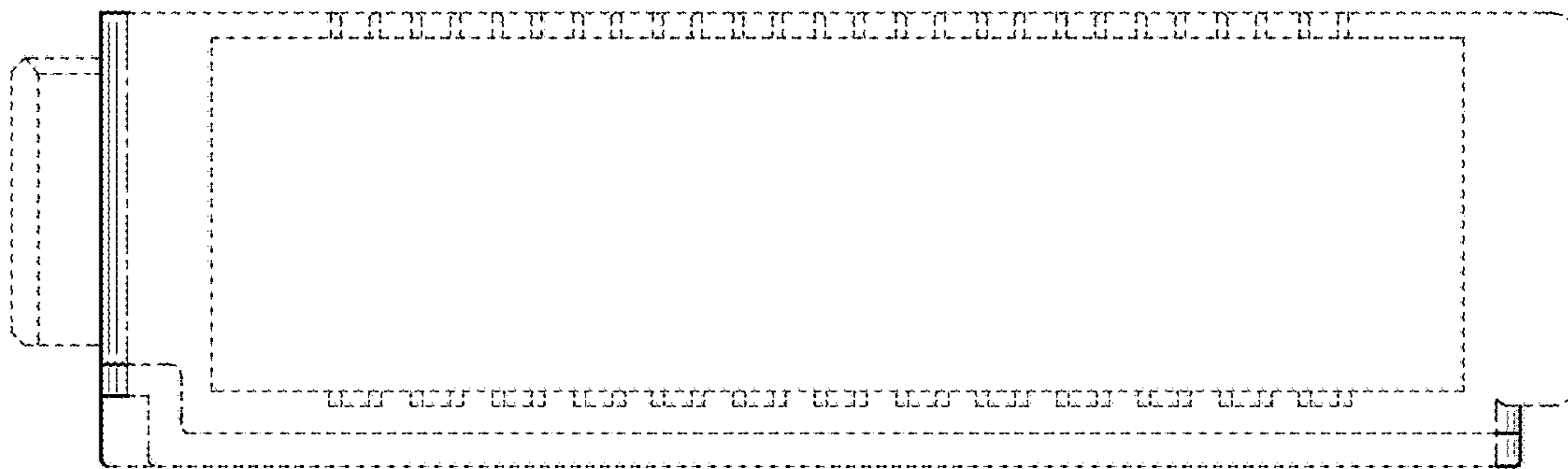


Fig.6

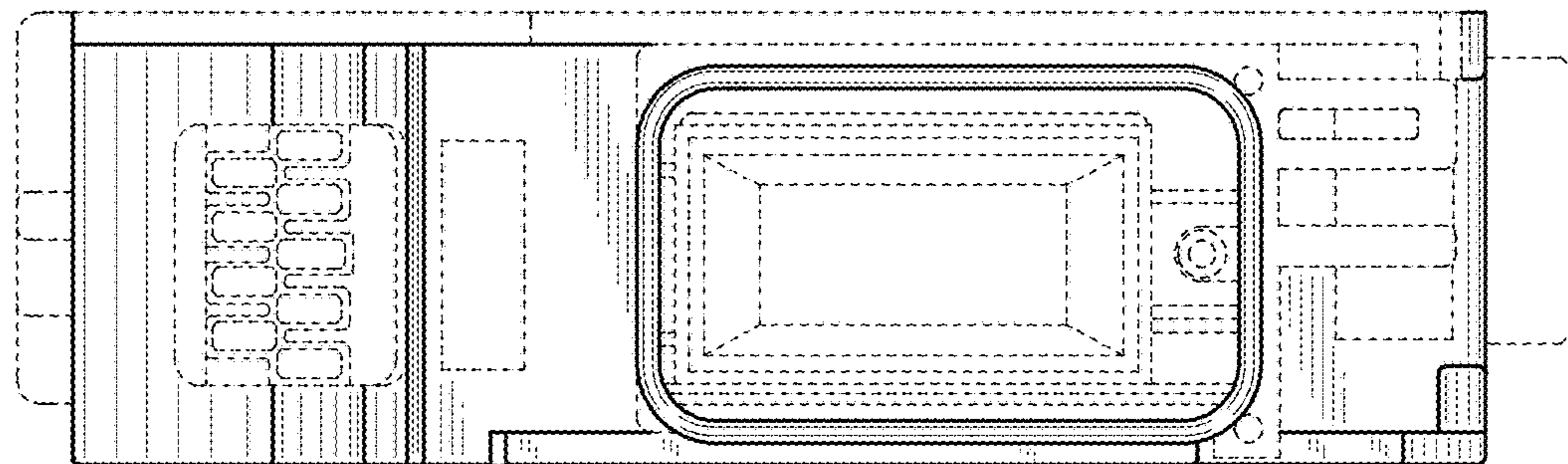


Fig.7

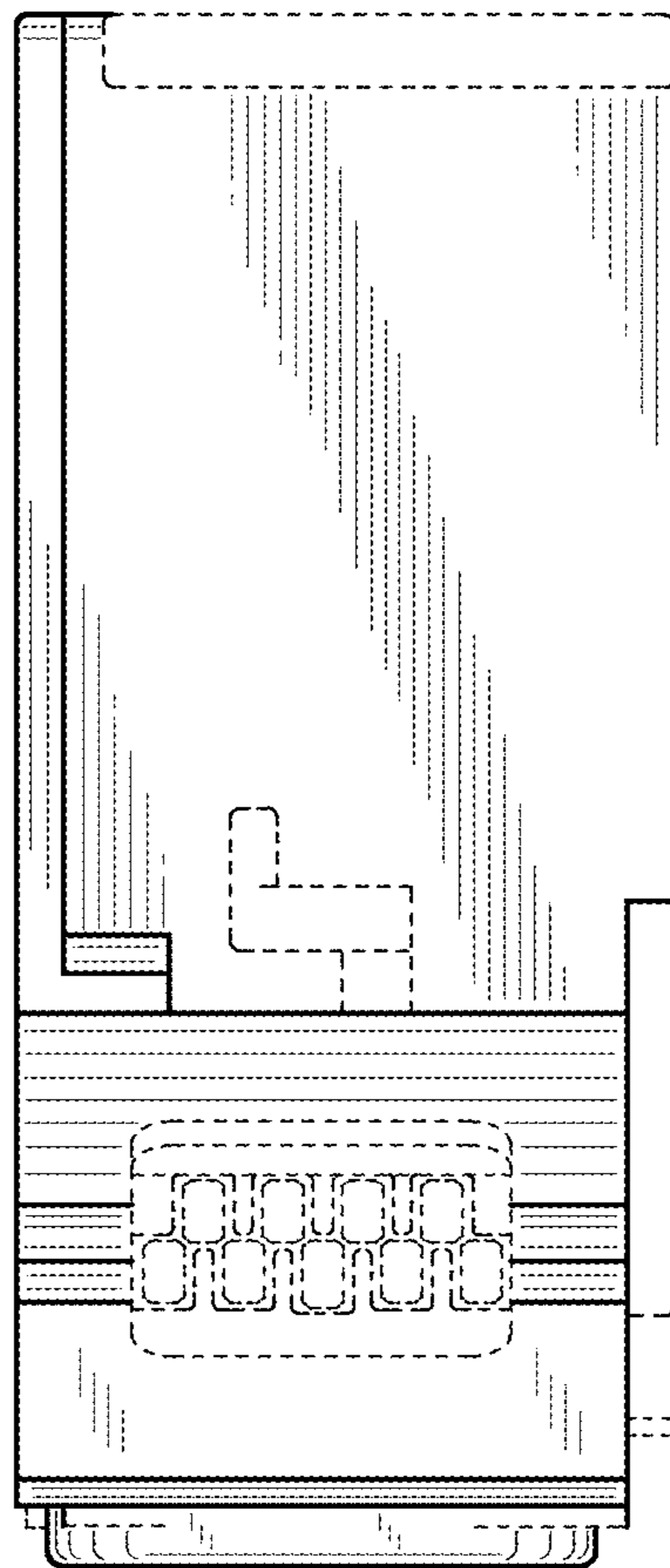




Fig.8

