

US00D809594S

(12) **United States Design Patent** (10) **Patent No.:** **US D809,594 S**  
**Tashima** (45) **Date of Patent:** **\*\* Feb. 6, 2018**

(54) **PRINTER**

(71) Applicant: **BROTHER INDUSTRIES, LTD.**,  
Nagoya-shi, Aichi-ken (JP)

(72) Inventor: **Kazuhisa Tashima**, Nagoya (JP)

(73) Assignee: **BROTHER INDUSTRIES, LTD.**,  
Nagoya-shi (JP)

(\*\*) Term: **15 Years**

(21) Appl. No.: **29/571,130**

(22) Filed: **Jul. 14, 2016**

(30) **Foreign Application Priority Data**

Jan. 14, 2016 (JP) ..... 2016-568

(51) **LOC (11) Cl.** ..... **18-02**

(52) **U.S. Cl.**  
USPC ..... **D18/55; D18/50**

(58) **Field of Classification Search**  
USPC ..... D18/55, 50, 36-37, 39  
CPC ..... B41J 11/58; B41J 15/12; B41J 15/042;  
G06K 15/12; G06K 15/14  
See application file for complete search history.

(56) **References Cited**

**U.S. PATENT DOCUMENTS**

D446,806 S *	8/2001	Imai	.....	D18/36
D474,806 S	5/2003	Yamano et al.		
D502,729 S	3/2005	Lo		
D516,622 S	3/2006	Suzuki et al.		
D528,599 S	9/2006	Steinmetz et al.		
D531,659 S	11/2006	Lo		
D532,443 S	11/2006	Bai		
D532,445 S	11/2006	Lo		
D532,449 S *	11/2006	Tjin Wong Joe	.....	D18/55
D534,578 S *	1/2007	Katayama	.....	D18/36
D567,848 S *	4/2008	Kawamura	.....	D18/39

D575,330 S *	8/2008	Egami	.....	D18/55
D616,927 S *	6/2010	Suzuki	.....	D18/55
D633,556 S	3/2011	Park et al.		
D639,851 S *	6/2011	Penke	.....	D18/55
D643,461 S	8/2011	Kim et al.		
D661,346 S	6/2012	Suzuki et al.		
D662,974 S	7/2012	Suzuki et al.		
D667,488 S *	9/2012	Inoue	.....	D18/55
D673,603 S	1/2013	Suzuki et al.		
D679,320 S	4/2013	Whitson et al.		
D686,277 S *	7/2013	Gilbert	.....	D18/55
D686,656 S	7/2013	Aries et al.		
D688,740 S	8/2013	Applegate et al.		
D688,742 S *	8/2013	Kim	.....	D18/55

(Continued)

**OTHER PUBLICATIONS**

Sep. 29, 2016 Office Action issued in Design U.S. Appl. No. 29/464,262.

(Continued)

*Primary Examiner* — Robin V Webster

*Assistant Examiner* — James C Thorn, Sr.

(74) *Attorney, Agent, or Firm* — Oliff PLC

(57) **CLAIM**

The ornamental design for a printer, as shown and described.

**DESCRIPTION**

FIG. 1 is a perspective view of a printer;

FIG. 2 is a front view thereof;

FIG. 3 is a top view thereof;

FIG. 4 is a right-side view thereof;

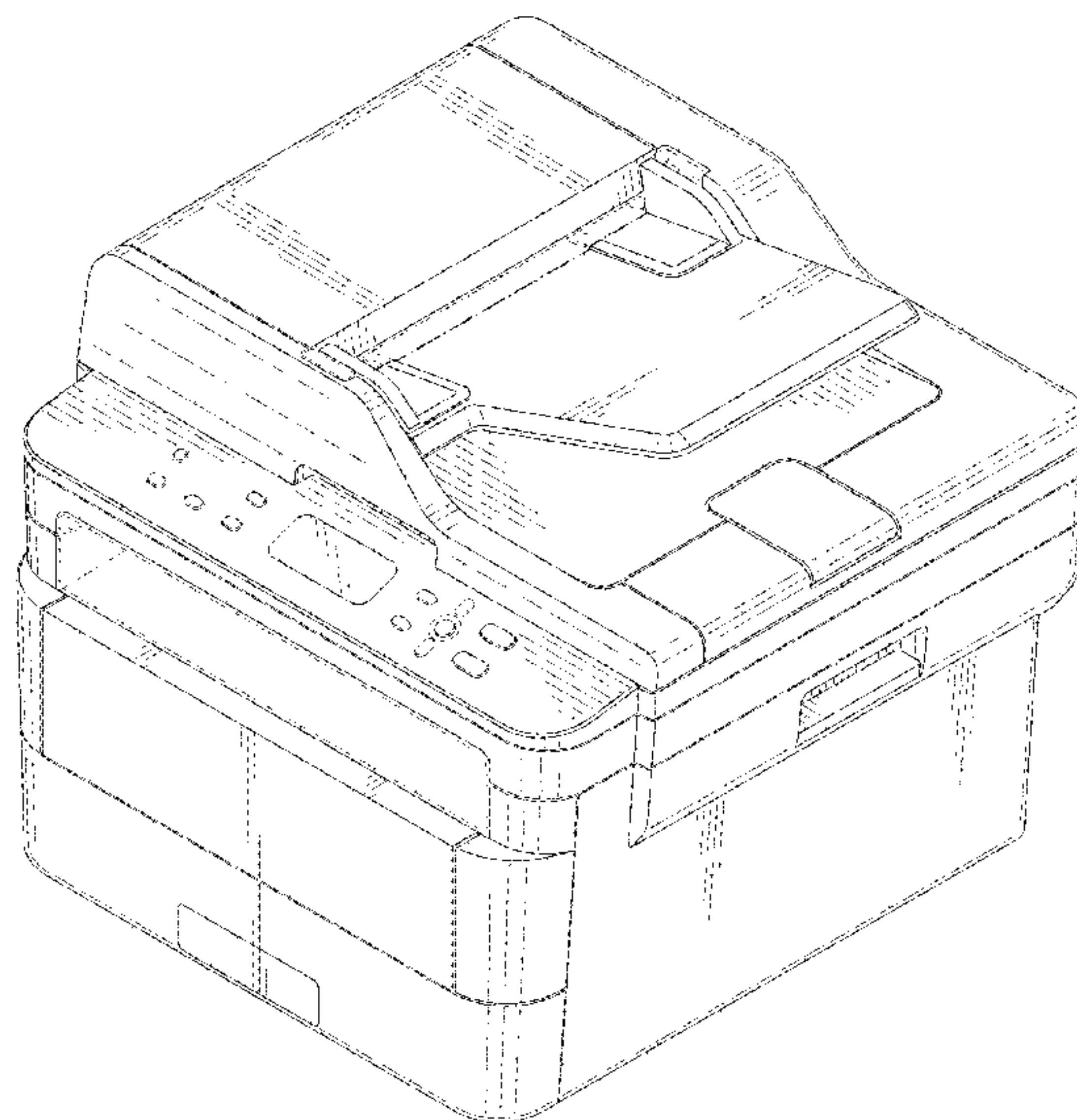
FIG. 5 is a left-side view thereof;

FIG. 6 is a rear view thereof; and,

FIG. 7 is a bottom view thereof.

The broken lines shown in the drawings are included for the purpose of illustrating unclaimed portions and form no part of the claimed design.

**1 Claim, 7 Drawing Sheets**



(56)

References Cited

U.S. PATENT DOCUMENTS

D694,812 S 12/2013 Choi et al.  
D697,966 S \* 1/2014 Fukasawa ..... D18/55  
D699,781 S 2/2014 Hasui et al.  
D702,760 S \* 4/2014 Kim ..... D18/55  
D726,250 S \* 4/2015 Kim ..... D18/55  
D727,409 S \* 4/2015 Saito ..... D18/36  
D727,417 S \* 4/2015 Huang ..... D18/55  
D742,960 S \* 11/2015 Lee ..... D18/50  
D752,135 S \* 3/2016 Uchikawa ..... D18/39  
D755,284 S \* 5/2016 Terenzio ..... D18/50  
D758,485 S \* 6/2016 Nakagawa ..... D18/55  
D765,080 S \* 8/2016 Su ..... D14/421  
D769,965 S \* 10/2016 Clark, III ..... D18/55  
D780,839 S \* 3/2017 Kim ..... D18/55  
D780,840 S \* 3/2017 Kim ..... D18/55

D780,841 S \* 3/2017 Kim ..... D18/55  
D782,568 S \* 3/2017 Nishimura ..... D18/55  
D786,965 S \* 5/2017 Huang ..... D18/55  
D791,867 S \* 7/2017 Nakagawa ..... D18/50  
2017/0217222 A1\* 8/2017 Sugiyama ..... B41J 11/58  
2017/0217699 A1\* 8/2017 Washino ..... B65H 1/30

OTHER PUBLICATIONS

Dec. 2, 2016 U.S. Office Action Issued in U.S. Appl. No. 29/464,359.

Apr. 5, 2017 Office Action issued in U.S. Appl. No. 29/464,262.

Design U.S. Appl. No. 29/464,359, filed Aug. 15, 2013.

Design U.S. Appl. No. 29/464,262, filed Aug. 14, 2013.

Nov. 2, 2017 Office Action issued in U.S. Appl. No. 29/571,057.

\* cited by examiner

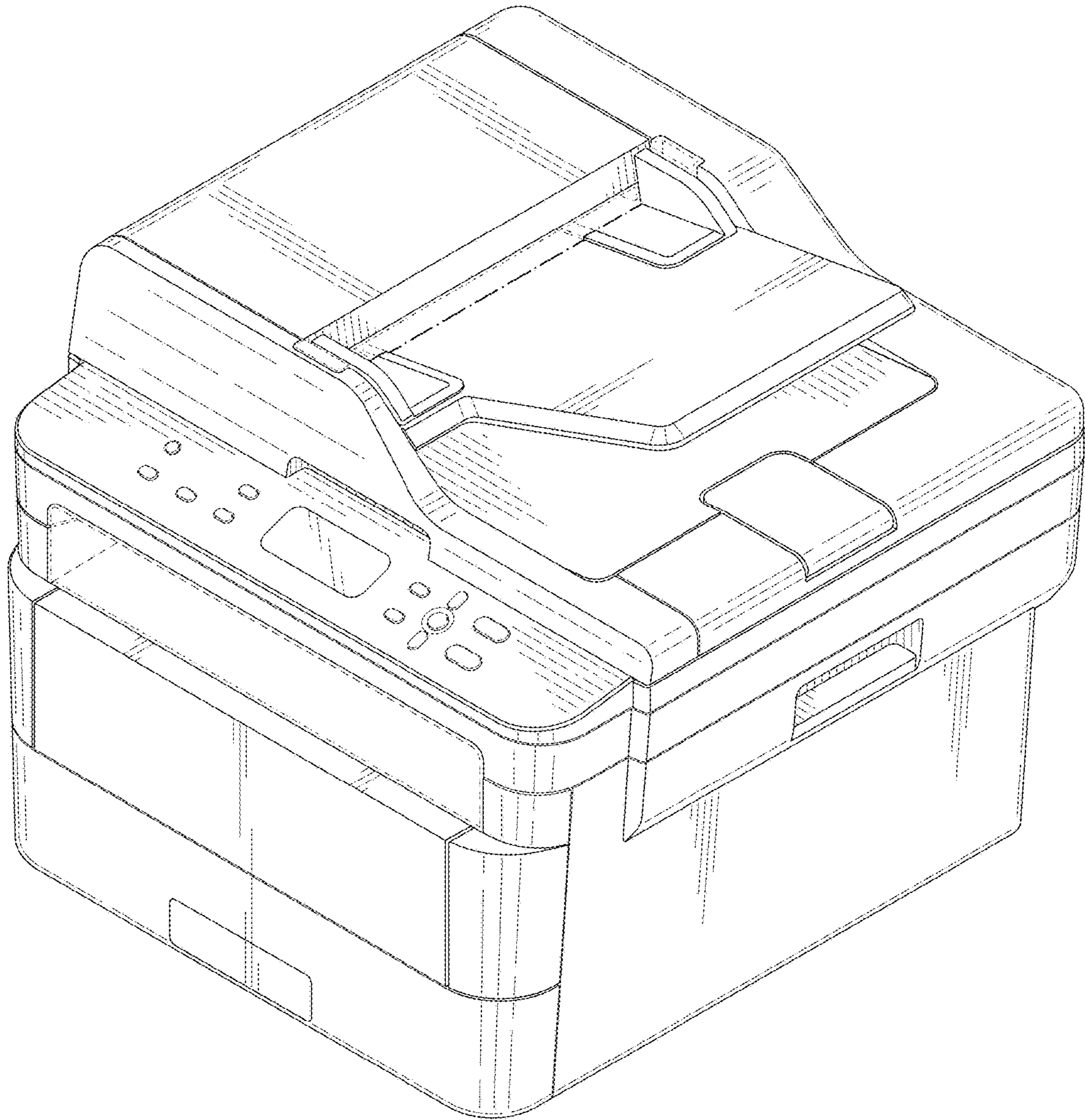


FIG. 1



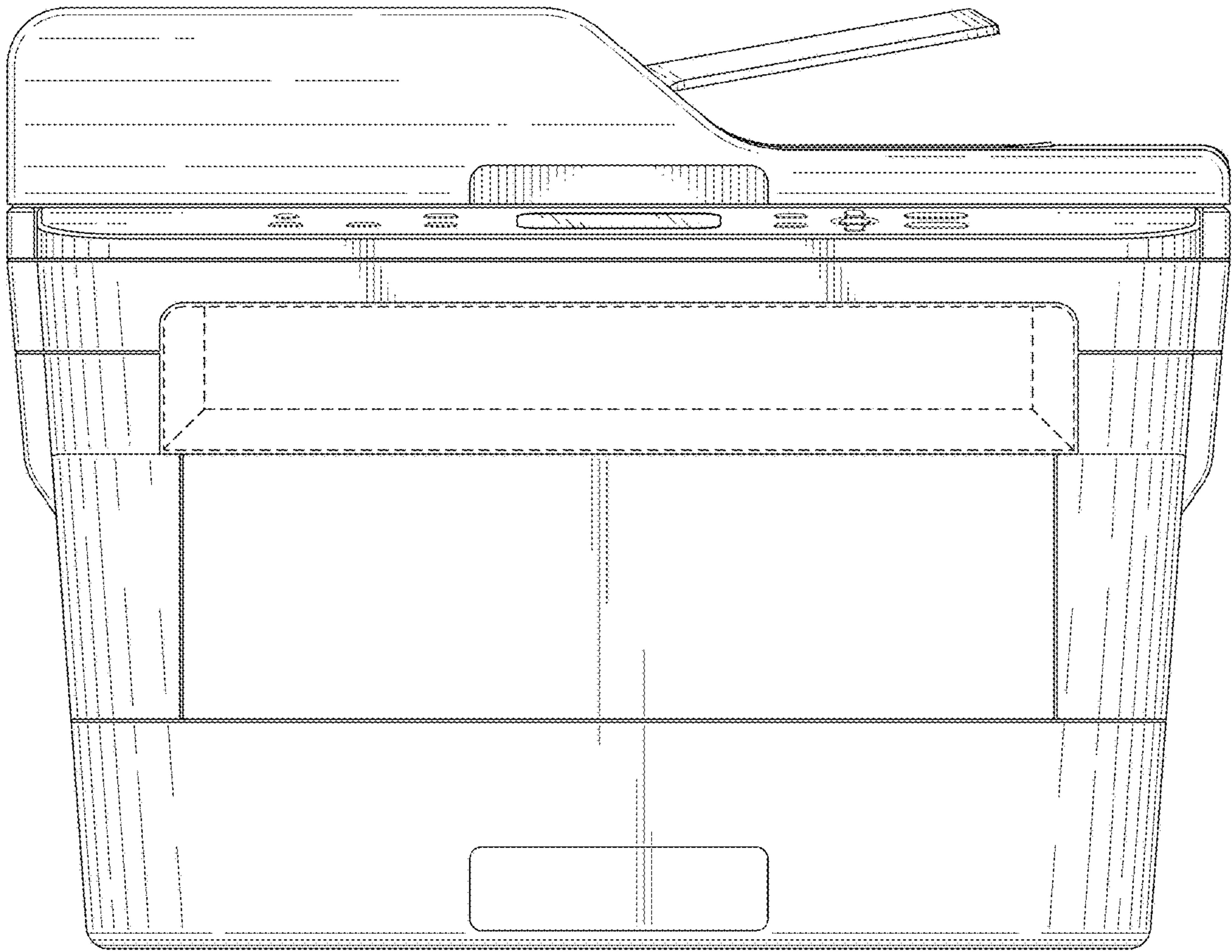


FIG. 2

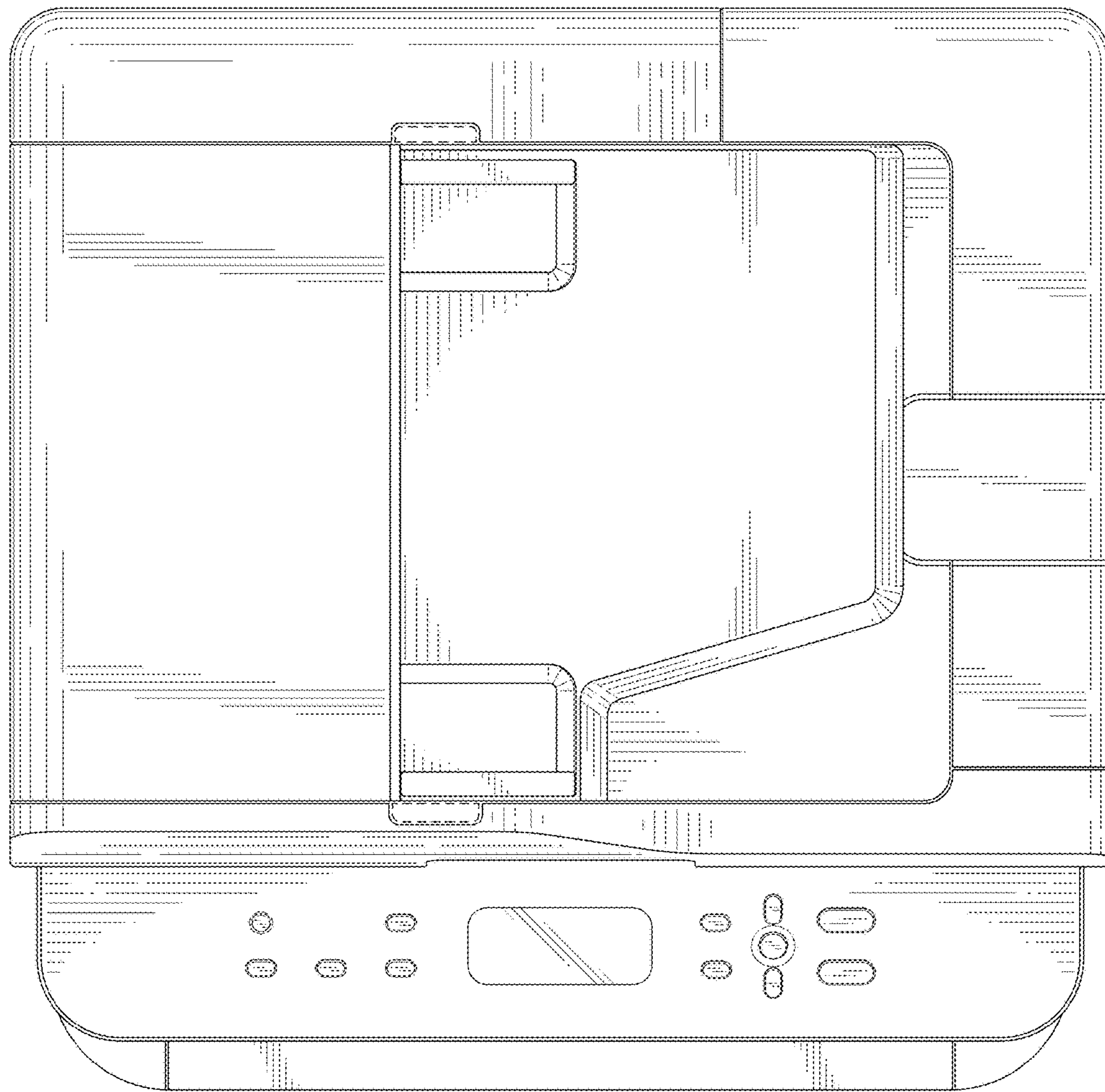


FIG. 3

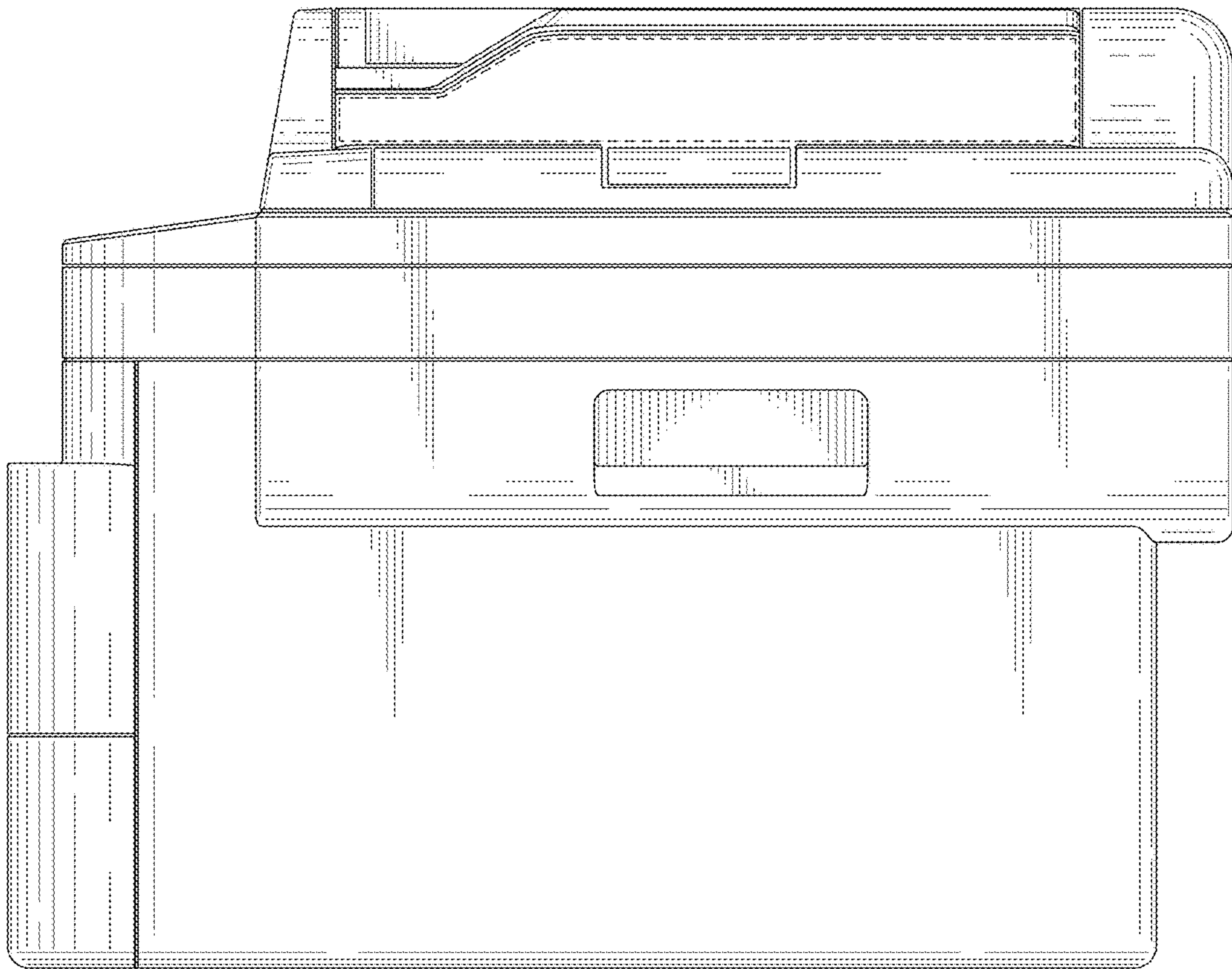


FIG. 4

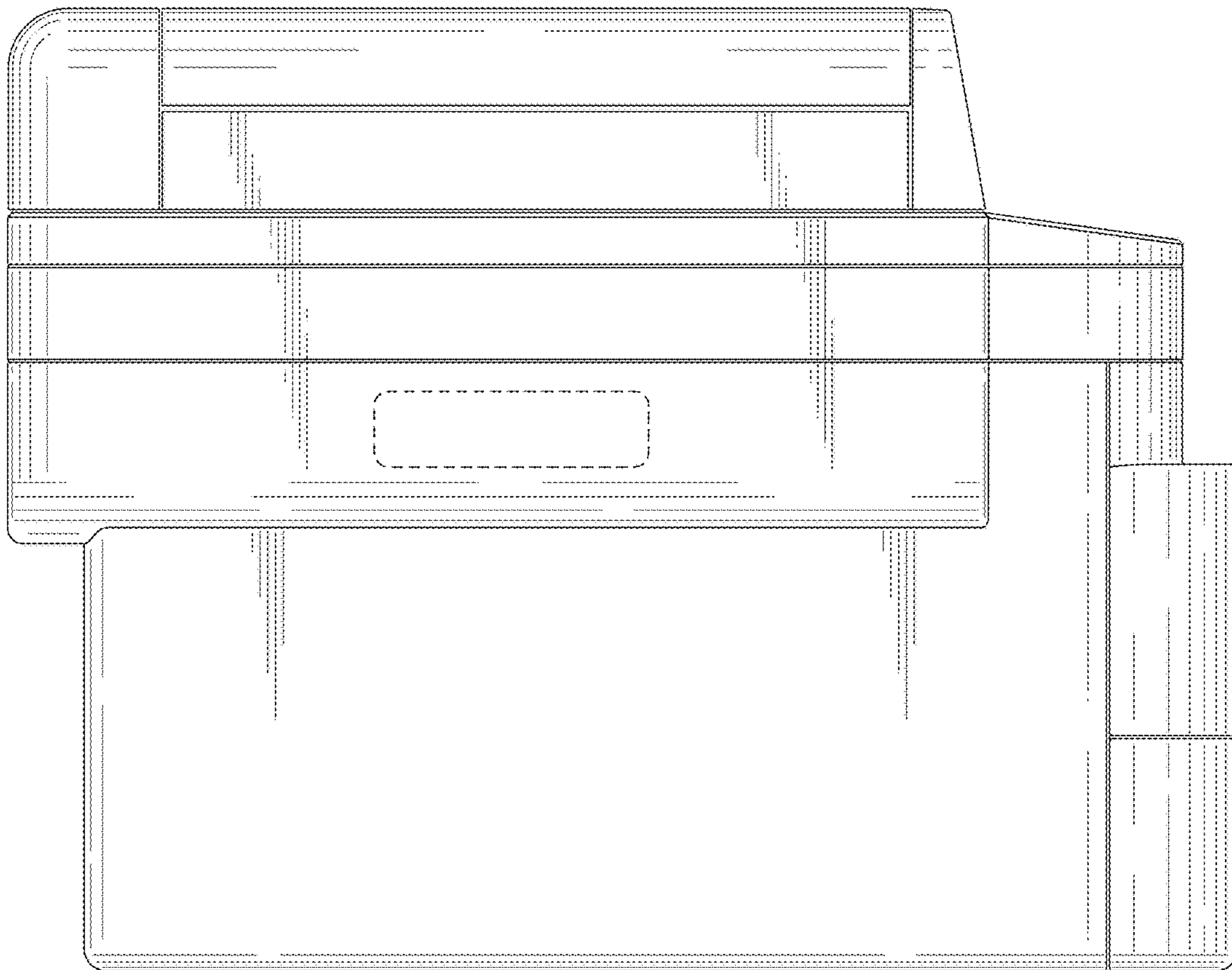


FIG. 5

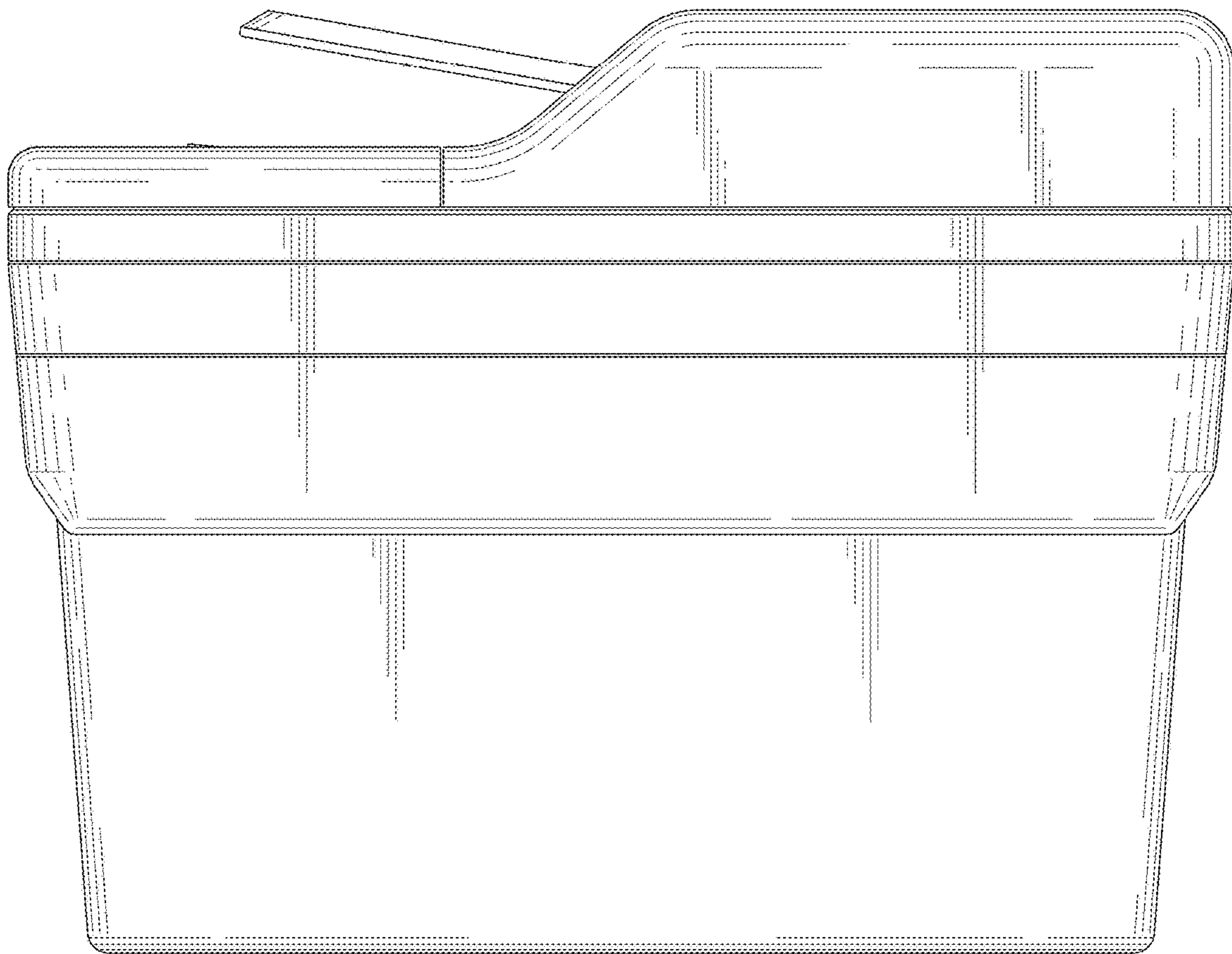


FIG. 6



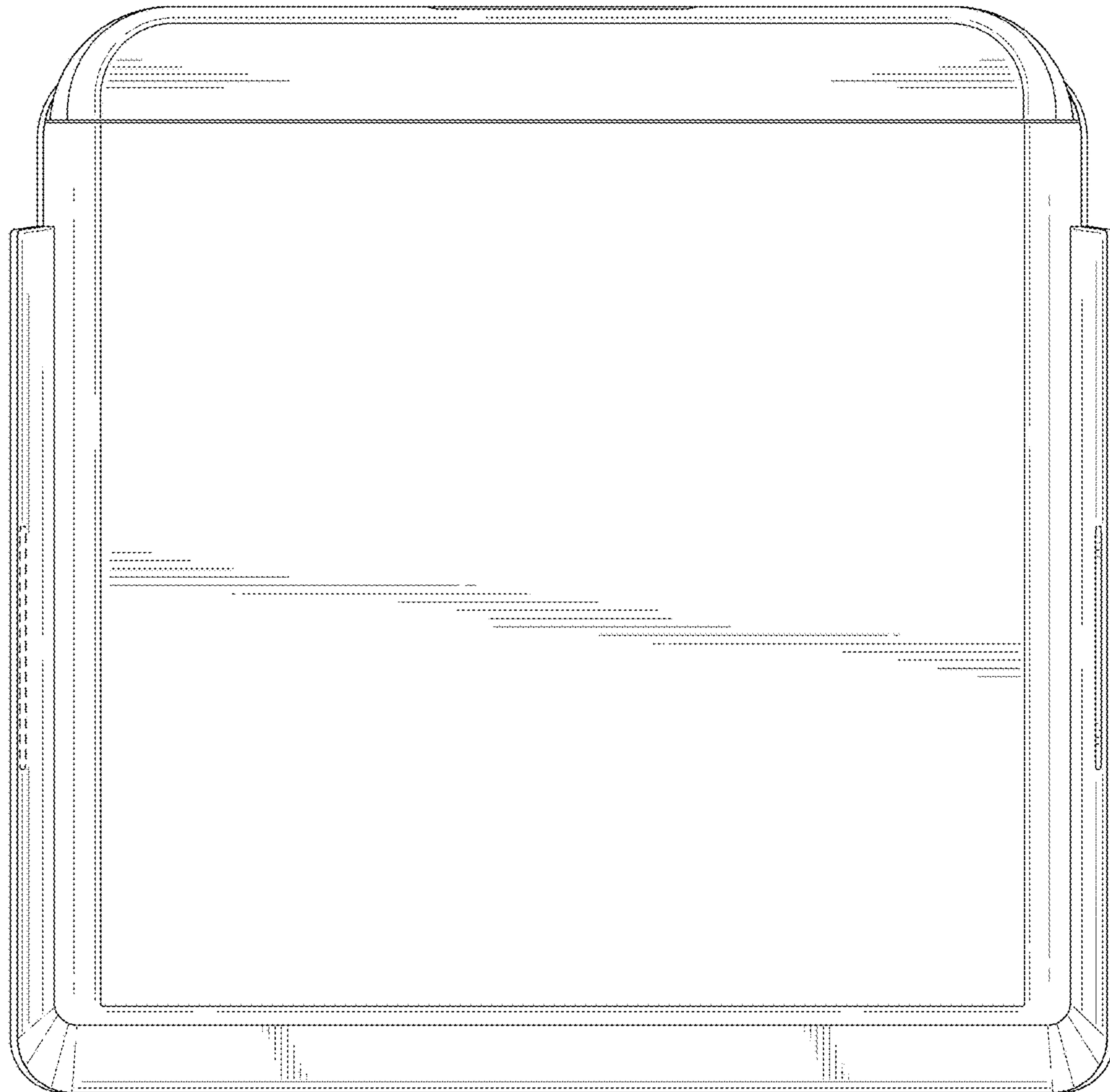


FIG. 7