



US00D809593S

(12) **United States Design Patent** (10) **Patent No.:** **US D809,593 S**  
**Tashima** (45) **Date of Patent:** **\*\* Feb. 6, 2018**

(54) **PRINTER**  
(71) Applicant: **BROTHER INDUSTRIES, LTD.**,  
Nagoya-shi, Aichi-ken (JP)  
(72) Inventor: **Kazuhisa Tashima**, Nagoya (JP)  
(73) Assignee: **BROTHER INDUSTRIES, LTD.**,  
Nagoya (JP)  
(\*\*) Term: **15 Years**  
(21) Appl. No.: **29/571,075**  
(22) Filed: **Jul. 14, 2016**

(30) **Foreign Application Priority Data**  
Jan. 14, 2016 (JP) ..... 2016-565  
(51) **LOC (11) Cl.** ..... **18-02**  
(52) **U.S. Cl.**  
USPC ..... **D18/50**  
(58) **Field of Classification Search**  
USPC ..... D18/50, 55, 36-37, 39; 347/3  
CPC ..... B41J 11/58; B41J 15/12; B41J 15/042;  
G06K 15/12; G06K 15/14  
See application file for complete search history.

(56) **References Cited**  
U.S. PATENT DOCUMENTS  
D231,863 S \* 6/1974 Anderson ..... D18/50  
D350,981 S \* 9/1994 Matsuda ..... D18/55  
D562,886 S \* 2/2008 Egami ..... D18/55  
D578,494 S 10/2008 Hattori  
D601,186 S \* 9/2009 Kim ..... D18/55  
D633,139 S \* 2/2011 Park ..... D18/55  
D639,847 S 6/2011 Nakata et al.  
D641,398 S \* 7/2011 Kim ..... D18/55  
D647,131 S \* 10/2011 Park ..... D18/55  
D647,132 S \* 10/2011 Kim ..... D18/55  
D670,326 S \* 11/2012 Yoshida ..... D18/55

D693,873 S \* 11/2013 Fukasawa ..... D18/55  
D699,784 S \* 2/2014 Penke ..... D18/55  
D722,339 S 2/2015 Nakagawa et al.  
D723,615 S 3/2015 Sato et al.  
D723,616 S 3/2015 Nakagawa et al.  
D724,141 S \* 3/2015 Kim ..... D18/55  
D725,183 S 3/2015 Sato et al.  
D733,216 S \* 6/2015 Kuramochi ..... D18/50  
D749,169 S \* 2/2016 Kil ..... D18/55  
D772,977 S \* 11/2016 Kim ..... D18/55  
D783,712 S \* 4/2017 Kim ..... D18/55  
D786,964 S \* 5/2017 Clark, III ..... D18/50  
D790,006 S \* 6/2017 Yoshida ..... D18/14  
D792,923 S \* 7/2017 Kim ..... D18/55  
D795,953 S \* 8/2017 Clark, III ..... D18/55  
D795,954 S \* 8/2017 Hirota ..... D18/55  
2014/0009517 A1 \* 1/2014 Sasaki ..... B41J 3/44  
347/3  
2015/0225105 A1 \* 8/2015 Sakaino ..... B65C 11/0289  
118/712

(Continued)

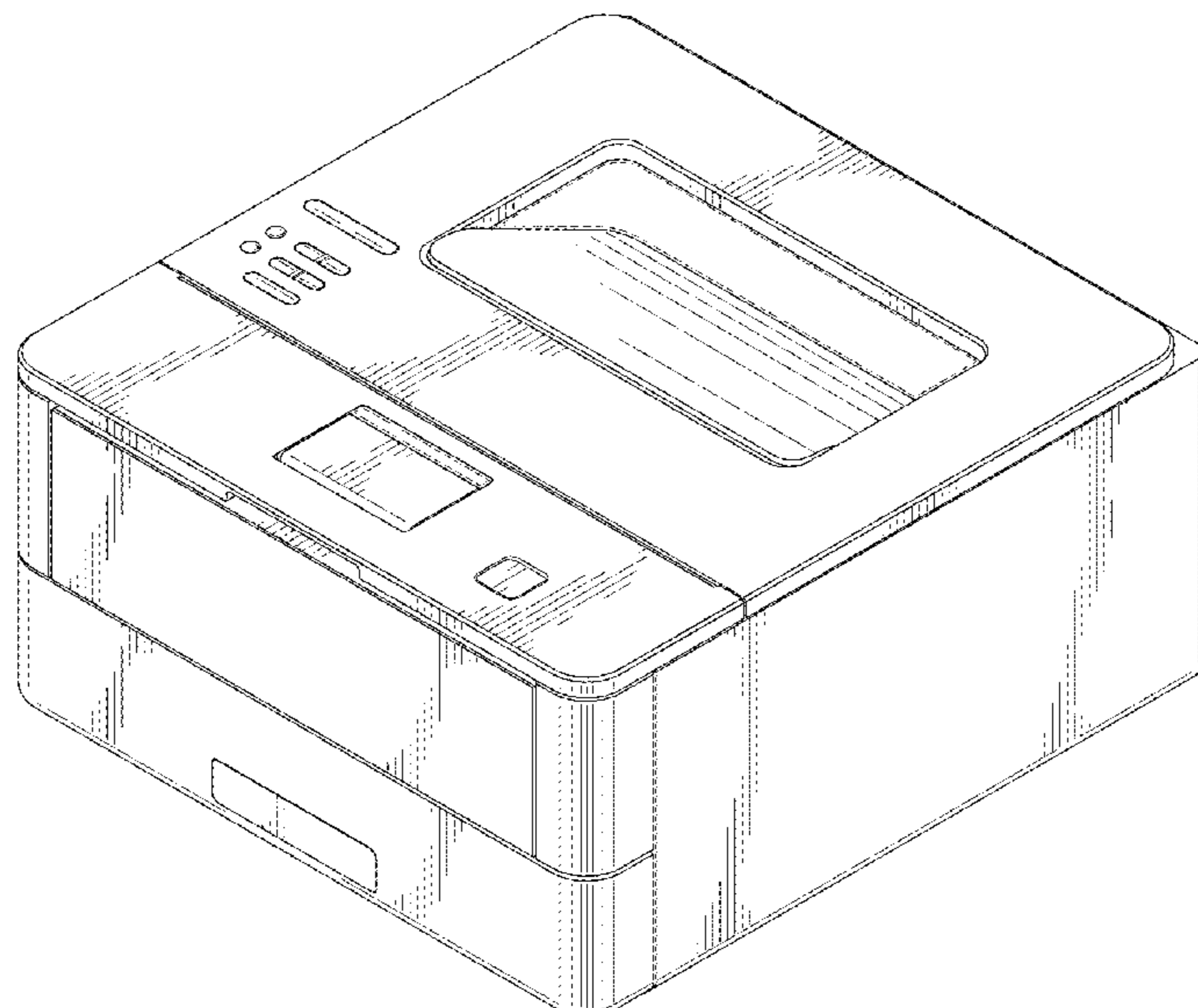
*Primary Examiner* — Robin V Webster  
*Assistant Examiner* — James C Thorn, Sr.  
(74) *Attorney, Agent, or Firm* — Oliff PLC

(57) **CLAIM**  
The ornamental design for a printer, as shown and described.

**DESCRIPTION**

FIG. 1 is a perspective view of a printer;  
FIG. 2 is a front view thereof;  
FIG. 3 is a top view thereof;  
FIG. 4 is a right-side view thereof;  
FIG. 5 is a left-side view thereof;  
FIG. 6 is a rear view thereof; and,  
FIG. 7 is a bottom view thereof.  
The broken lines shown in the drawings are included for the purpose of illustrating environmental structure and form no part of the claimed design.

**1 Claim, 6 Drawing Sheets**



(56)

**References Cited**

U.S. PATENT DOCUMENTS

2015/0246563 A1 \* 9/2015 Takabatake ..... B41J 11/70  
347/104

\* cited by examiner

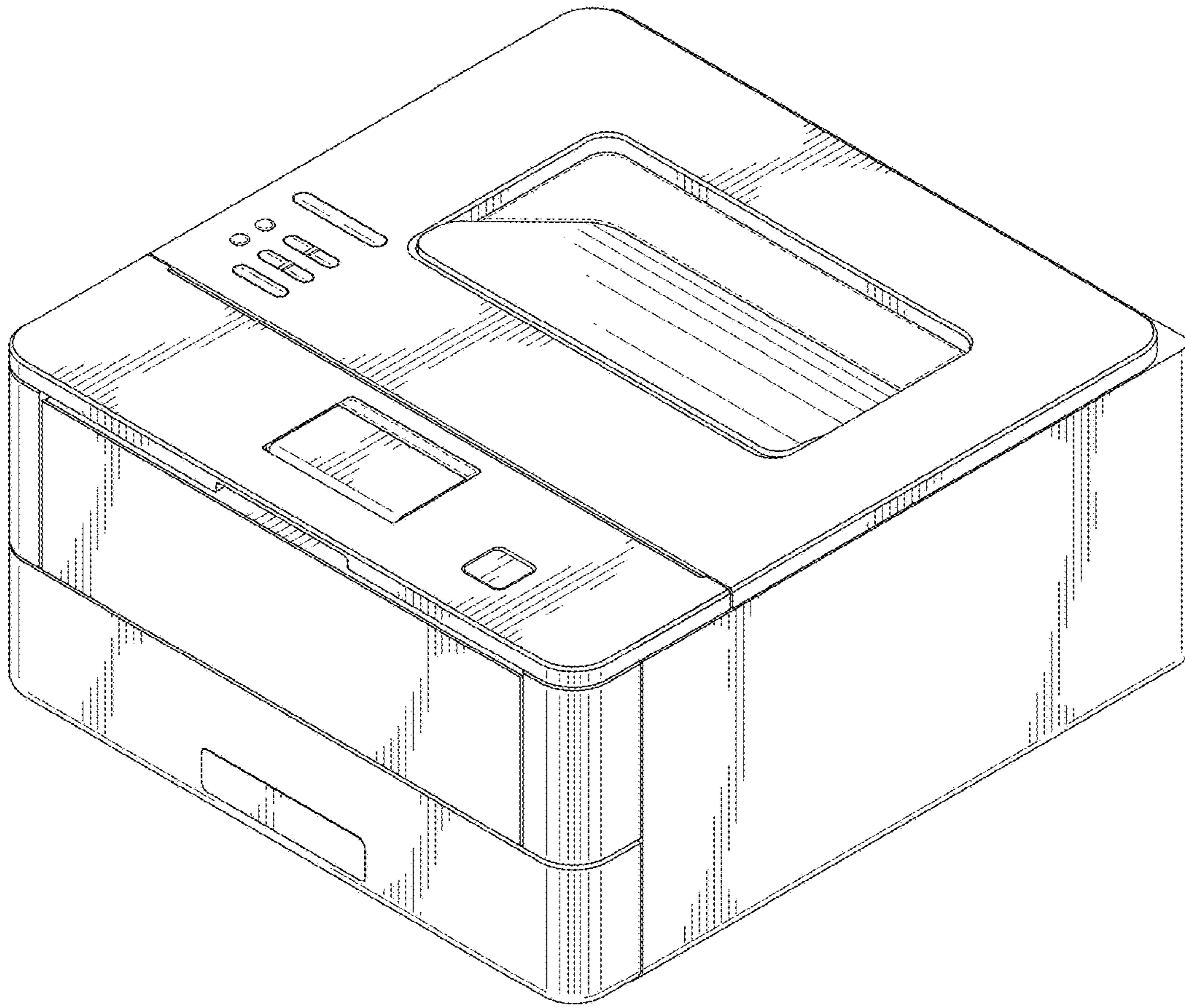


FIG. 1

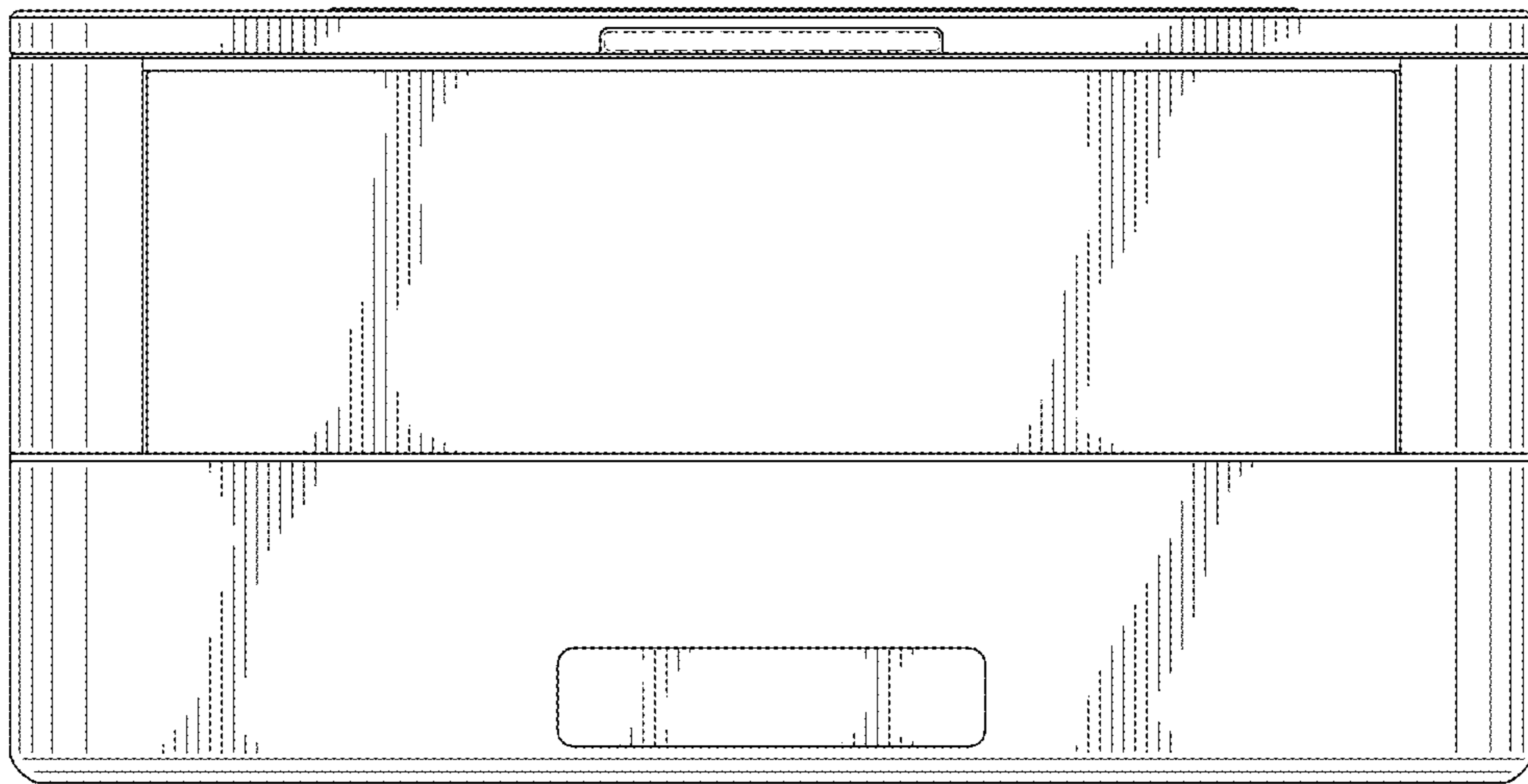


FIG. 2

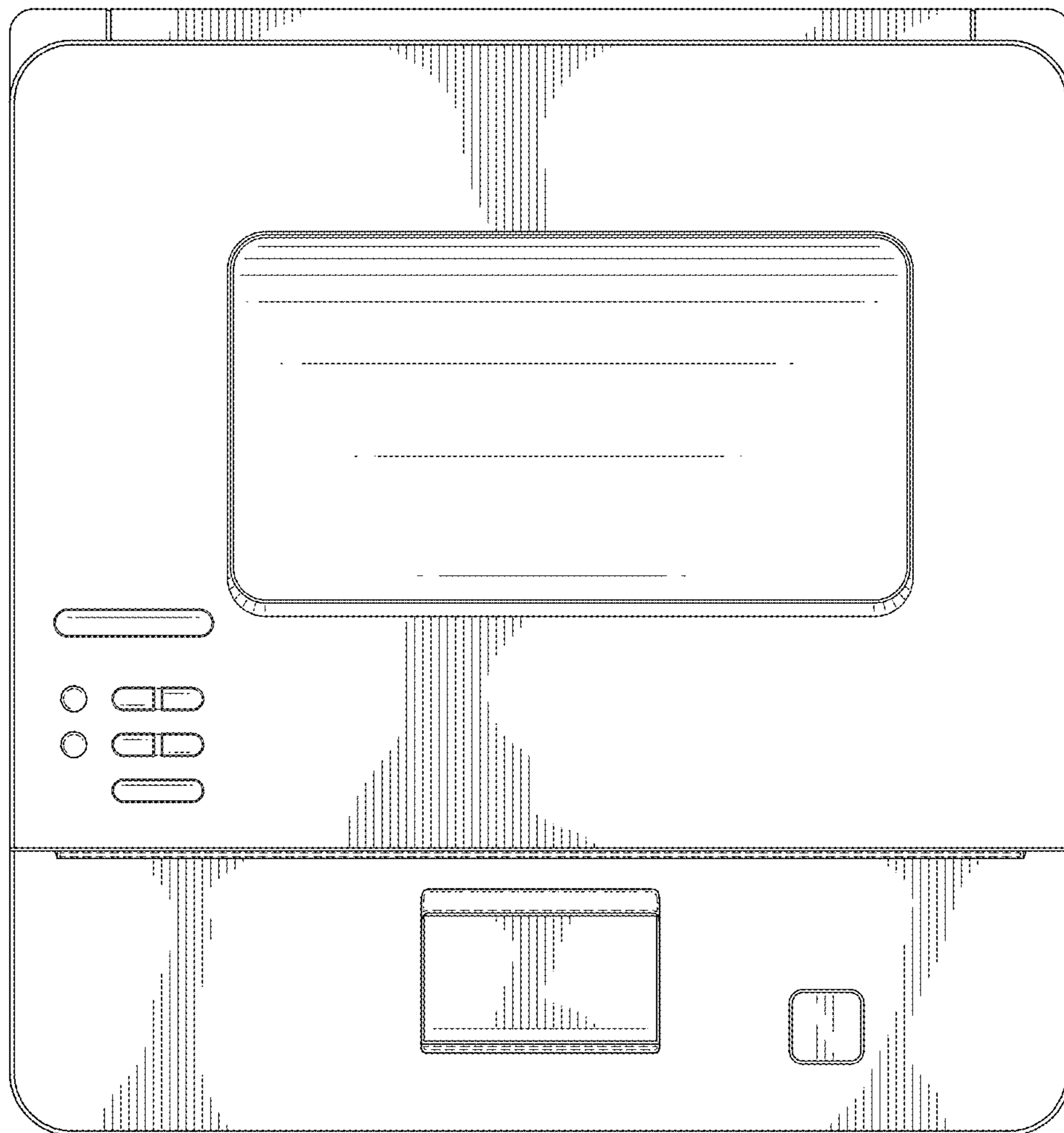


FIG. 3

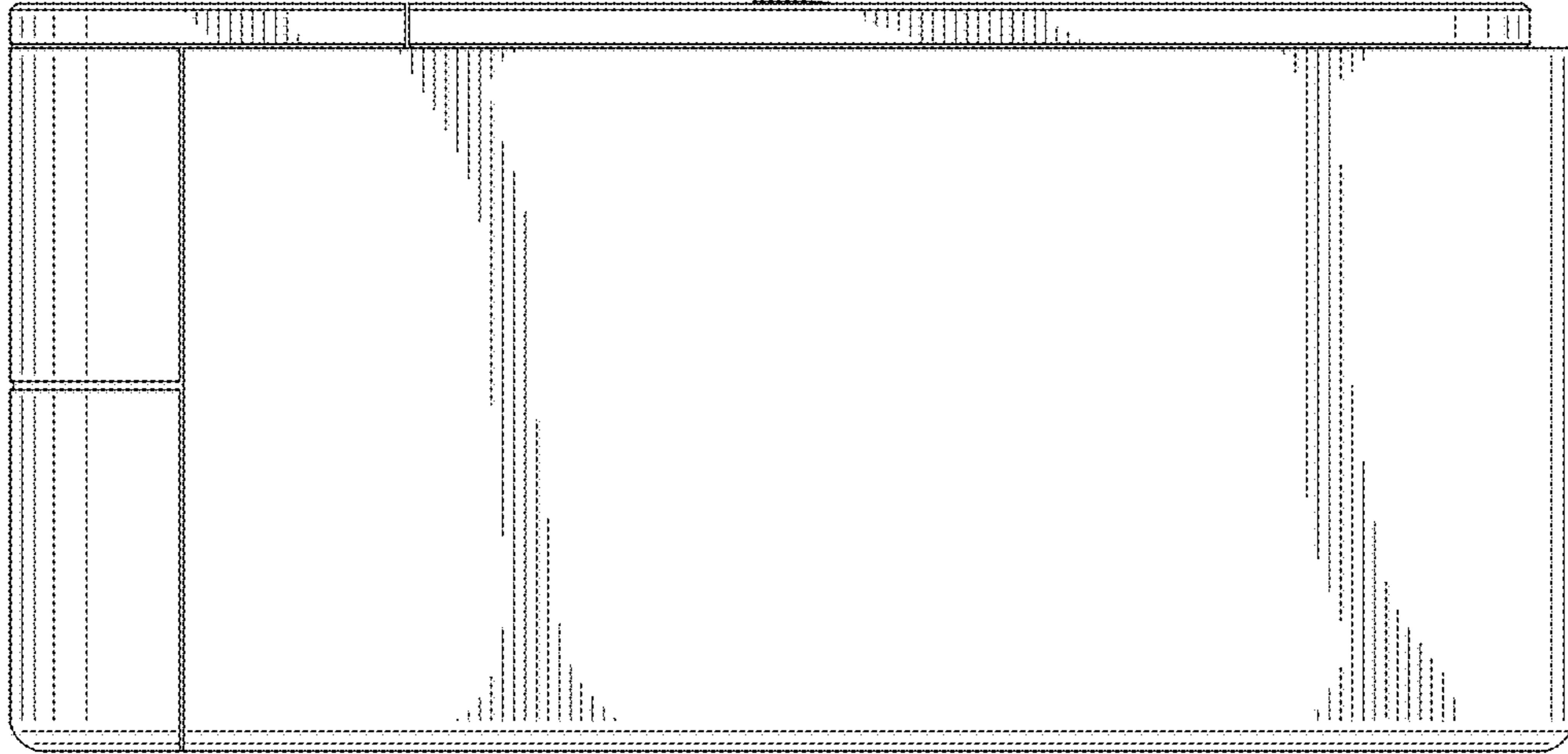


FIG. 4

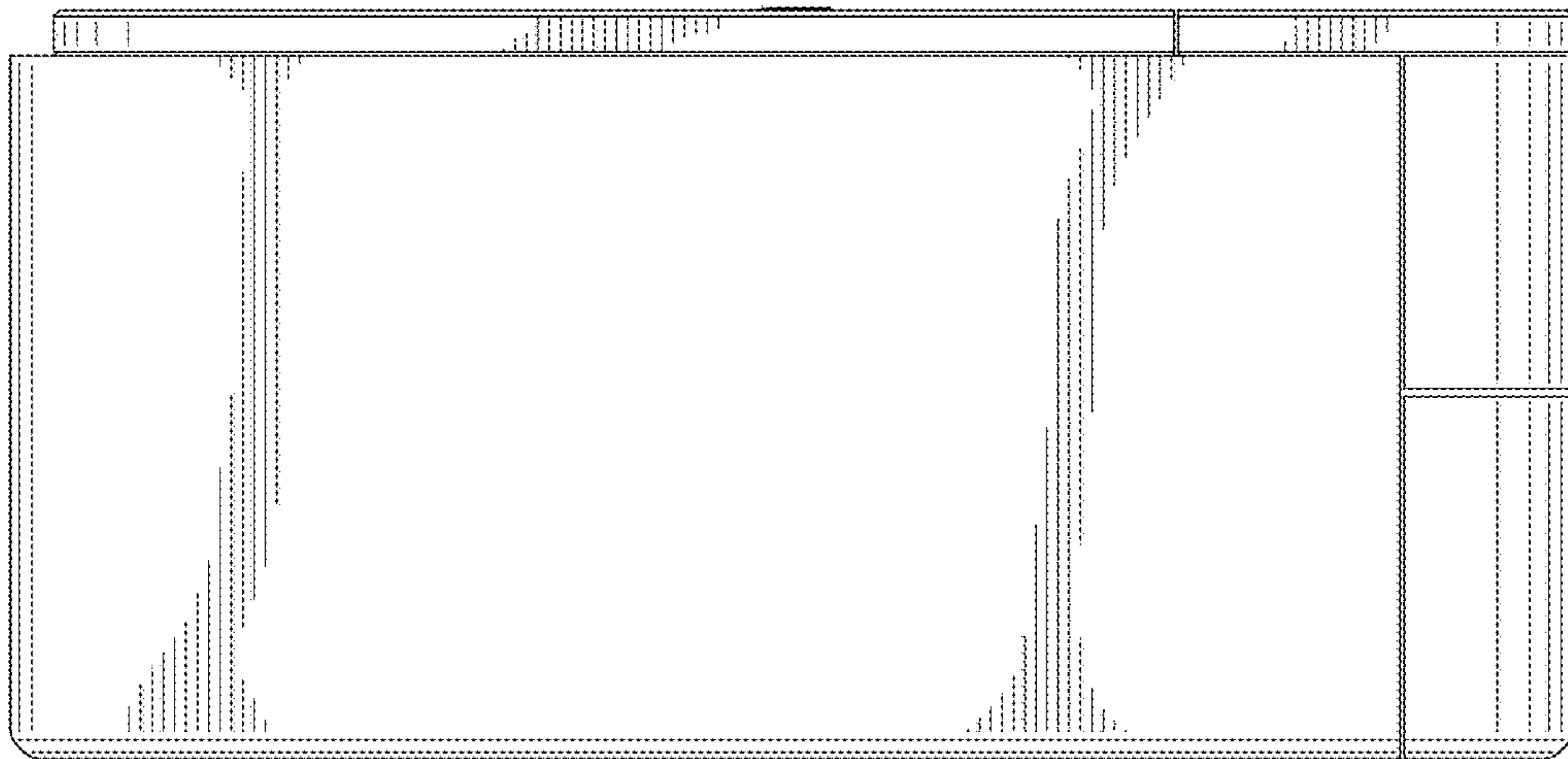


FIG. 5

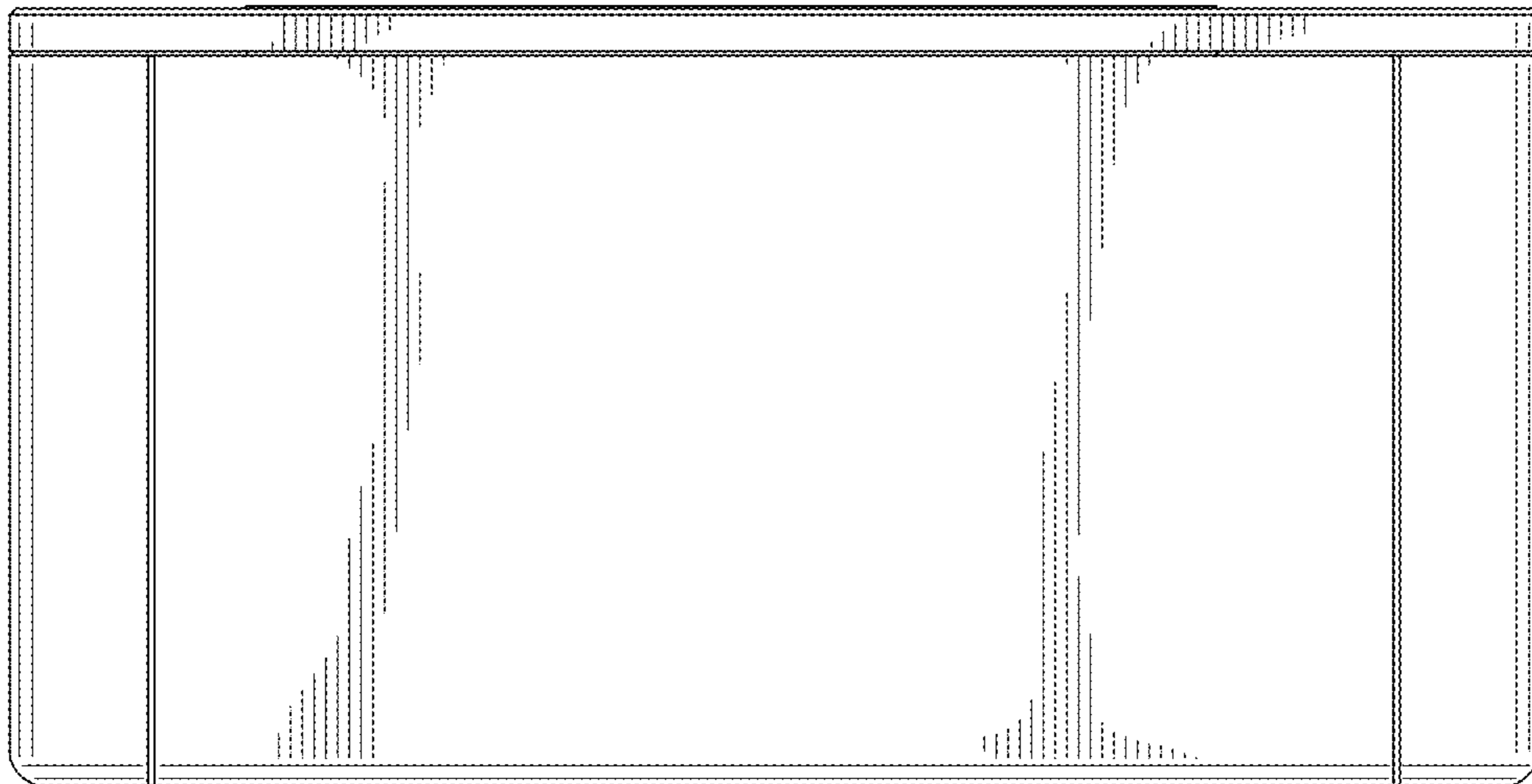


FIG. 6

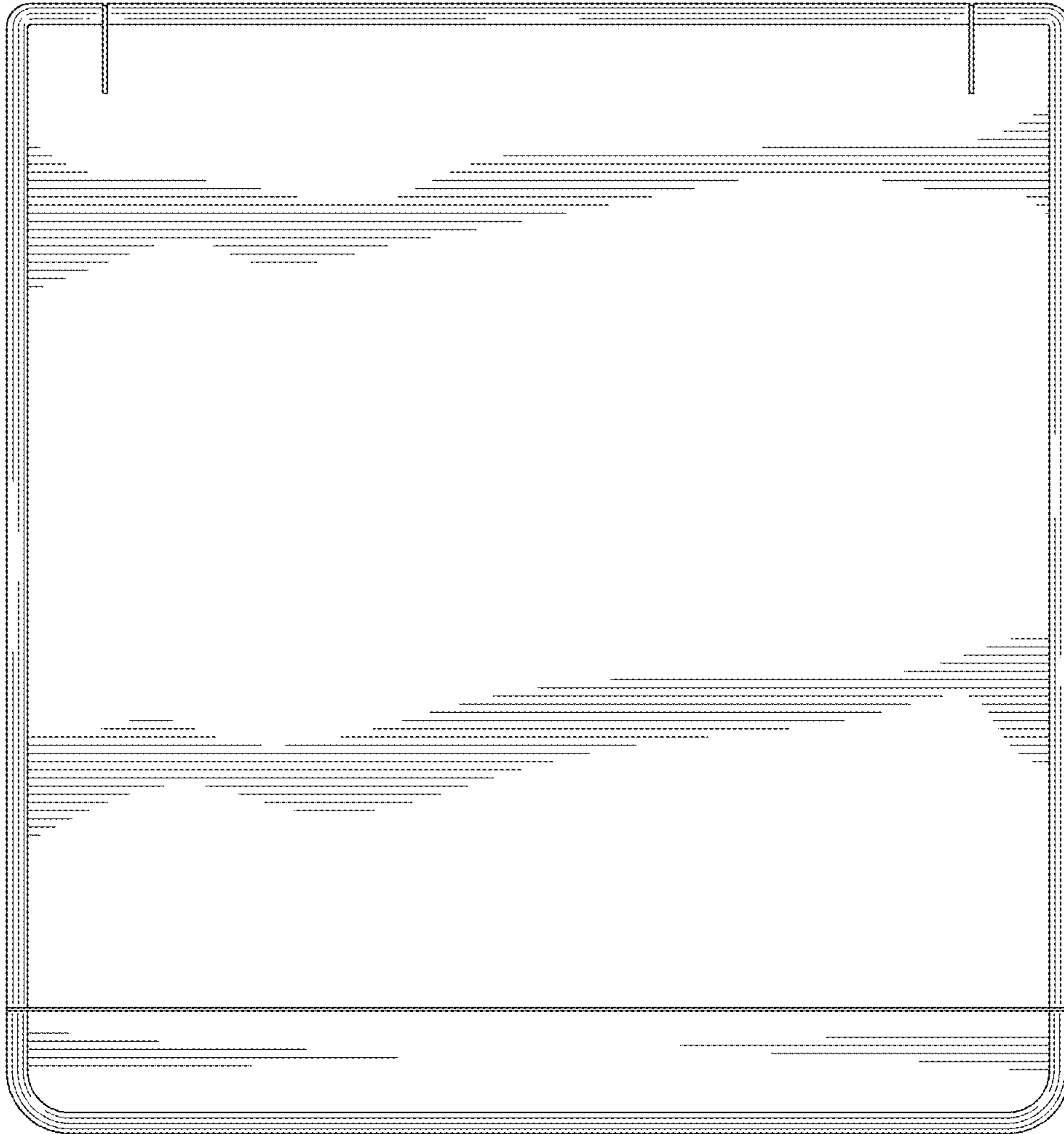


FIG. 7