



US00D809590S

(12) **United States Design Patent**
Durieux

(10) **Patent No.:** **US D809,590 S**

(45) **Date of Patent:** **** Feb. 6, 2018**

(54) **SWIVEL STAND**

(71) Applicant: **Vincent Durieux**, Campbell, CA (US)

(72) Inventor: **Vincent Durieux**, Campbell, CA (US)

(**) Term: **15 Years**

(21) Appl. No.: **29/568,737**

(22) Filed: **Jun. 21, 2016**

(51) **LOC (11) Cl.** **18-01**

(52) **U.S. Cl.**
USPC **D18/12**

(58) **Field of Classification Search**
USPC D18/3.1, 3.2, 4.1, 4.3, 4.4, 4.5, 4.6, 12,
D18/12.1; D14/239, 251, 383, 434, 447,
D14/448, 451; D20/10, 19, 41, 99;
D99/28, 34, 35, 36, 43, 99; D16/242,
D16/244, 245
CPC G06F 1/16; G06F 1/1601; G06F 1/1607;
G06F 1/1626; G06F 1/1632; F16M 11/00;
F16M 11/10

See application file for complete search history.

(56) **References Cited**

U.S. PATENT DOCUMENTS

D528,146 S *	9/2006	Fitch	D14/336
D590,825 S *	4/2009	Liu	D14/341
D631,044 S *	1/2011	Chiu	D14/315
D653,664 S *	2/2012	Turnbull	D14/385
D659,138 S *	5/2012	Hsu	D14/385
D727,329 S *	4/2015	Johnson	D14/434
D729,257 S *	5/2015	Floersch	D14/451
D735,805 S *	8/2015	Haller	D18/46
D746,902 S *	1/2016	Lyons	D18/4.5
D761,350 S *	7/2016	Beatty	D18/12
D778,982 S *	2/2017	Beatty	D18/4.5
2014/0058859 A1 *	2/2014	Alexander	G06Q 20/20 705/17

2014/0191102 A1 *	7/2014	Lin	A47B 23/00 248/454
2015/0241919 A1 *	8/2015	Beatty	G06F 1/1632 361/679.44
2016/0120050 A1 *	4/2016	Chen	G06F 1/16 361/679.01

(Continued)

OTHER PUBLICATIONS

Set up your Mini Swivel Stand with Clover Mini. youtube.com.
(Online instructional video—0:18-1:03; 1:15-1:20;1:45-1:50; 2:52-
2:57) 1 pg. Published Feb. 10, 2016. [retrieved on Mar. 29, 2017]
<https://www.youtube.com/watch?v=s4oPadaFw9M>.*

(Continued)

Primary Examiner — Susan Bennett Hattan
Assistant Examiner — Marie D. Fast Horse
(74) *Attorney, Agent, or Firm* — Dunlap Bennett &
Ludwig PLLC; Brendan E. Squire

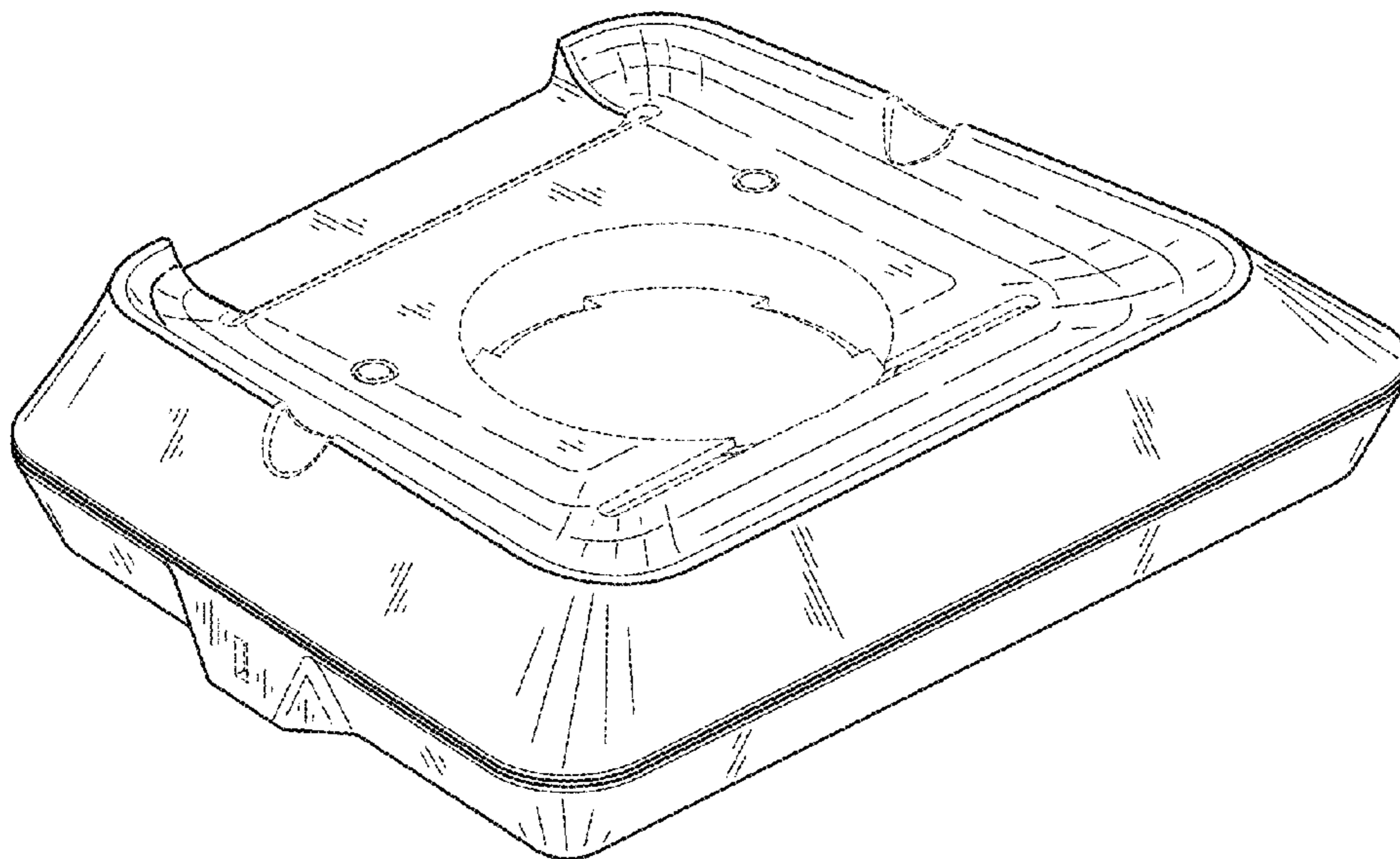
(57) **CLAIM**

The ornamental design for a swivel stand, as shown and described.

DESCRIPTION

FIG. 1 is a front perspective view of the swivel stand;
FIG. 2 is a bottom perspective view thereof;
FIG. 3 is a front elevation view thereof;
FIG. 4 is a rear elevation view thereof;
FIG. 5 is a left side elevation view of the swivel stand, the
right side elevation view being a mirror image thereof;
FIG. 6 is a top plan view thereof;
FIG. 7 is a bottom plan view thereof; and,
FIG. 8 is a front perspective view of the swivel stand seen
in FIG. 1, shown in use with an additional device.
The broken lines shown in the drawings illustrate portions of
the swivel stand that form no part of the claimed design.
The broken lines in FIG. 8 showing the additional device
depicts environment and forms no part of the claim.

1 Claim, 4 Drawing Sheets



(56)

References Cited

U.S. PATENT DOCUMENTS

2017/0039537 A1* 2/2017 Singgih G06Q 20/20

OTHER PUBLICATIONS

Mini_swivel-wireframe-TOP. fourleaffilament.com. (Online image) 1 pg. Uploaded Oct. 2015. [retrieved on Mar. 29, 2017] http://fourleaffilament.com/wp-content/uploads/2015/10/mini_swivel-wireframe.png.*

Mini_swivel-wireframe-BOTTOM. fourleaffilament.com. (Online image) 1 pg. Uploaded Jan. 2016. [retrieved on Mar. 29, 2017] <http://fourleaffilament.com/wp-content/uploads/2016/01/attach-mini-swivel.png>.*

* cited by examiner

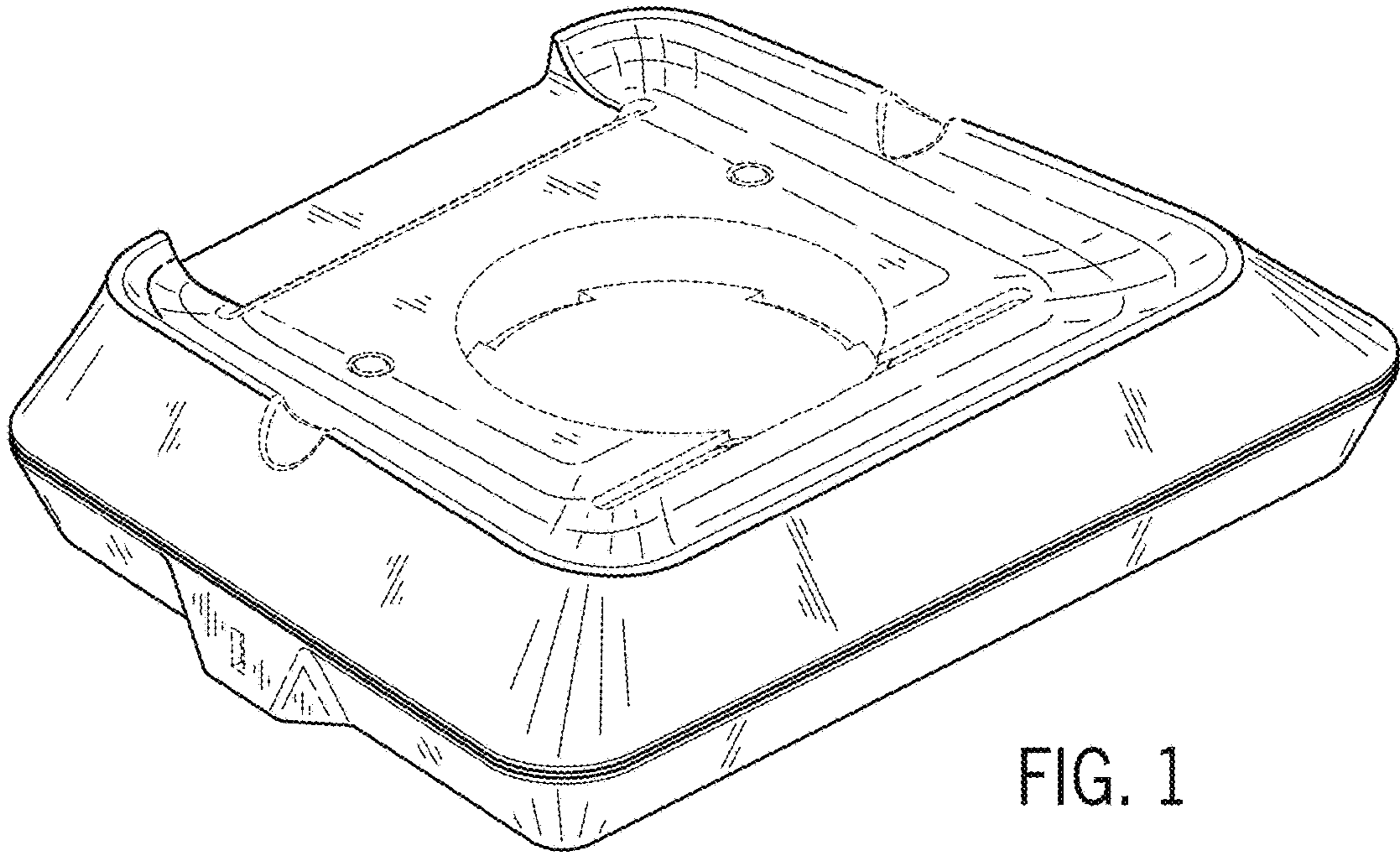


FIG. 1

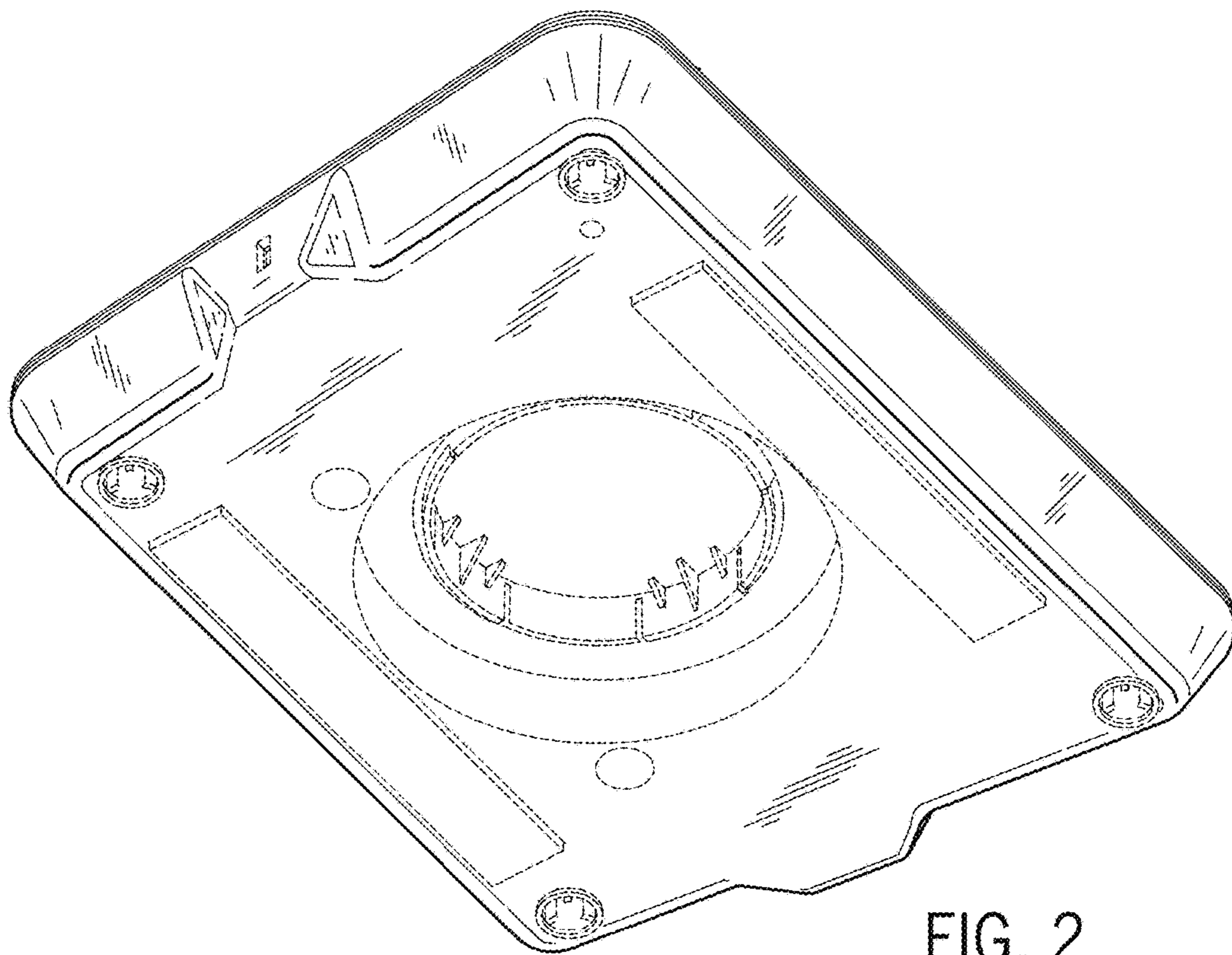


FIG. 2

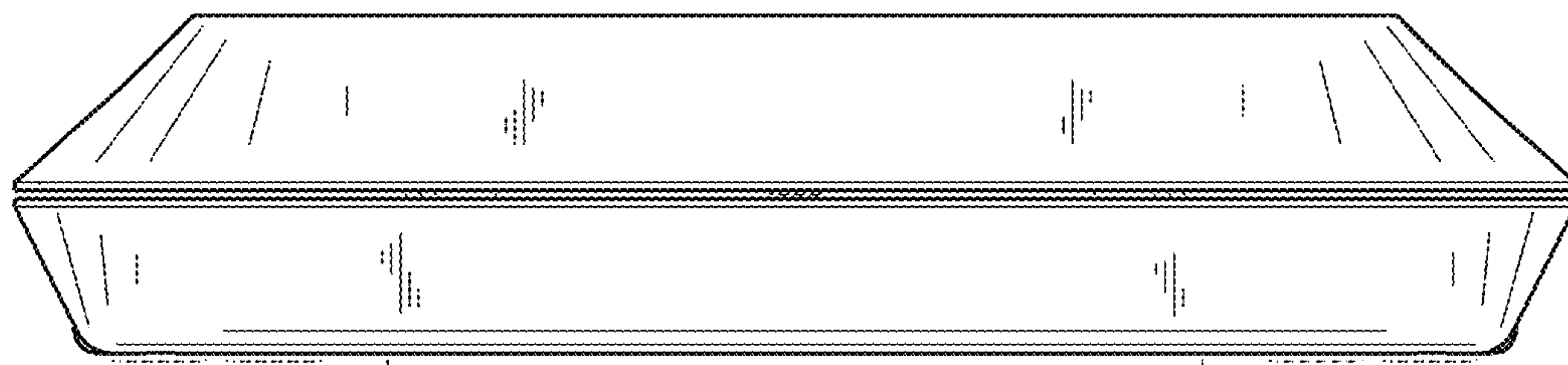


FIG. 3

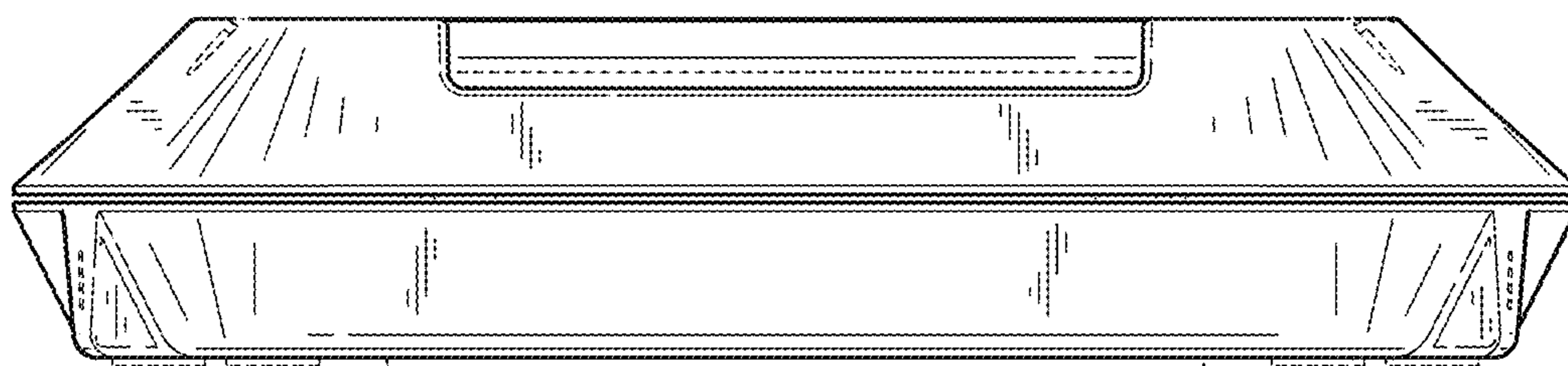


FIG. 4

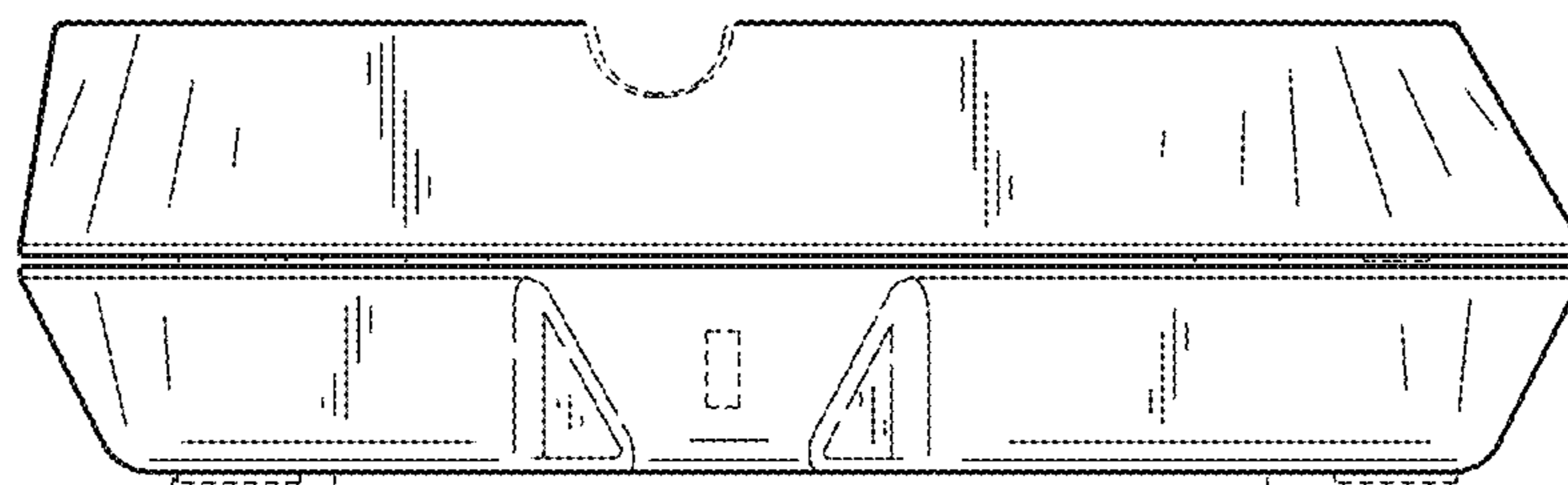


FIG. 5

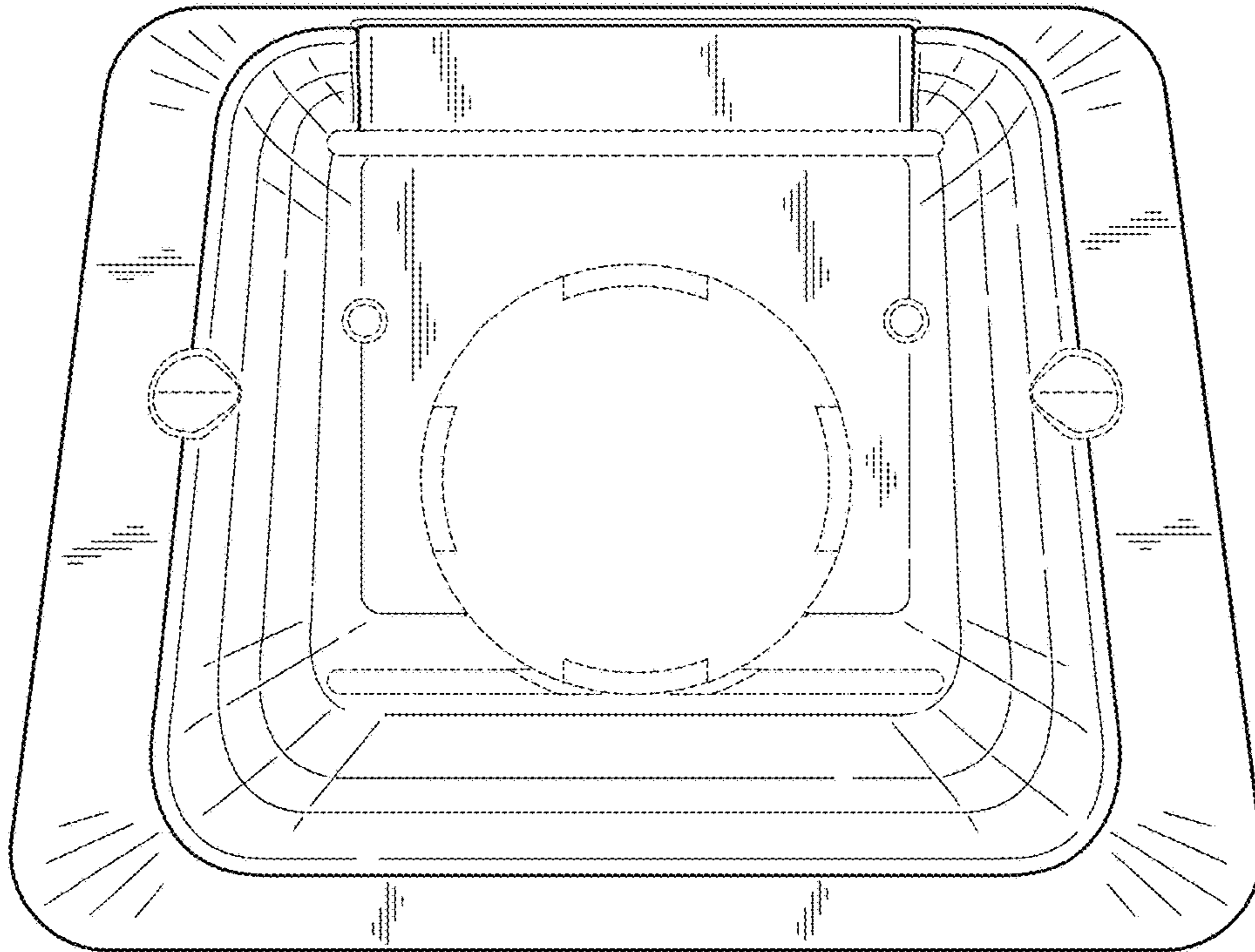


FIG. 6

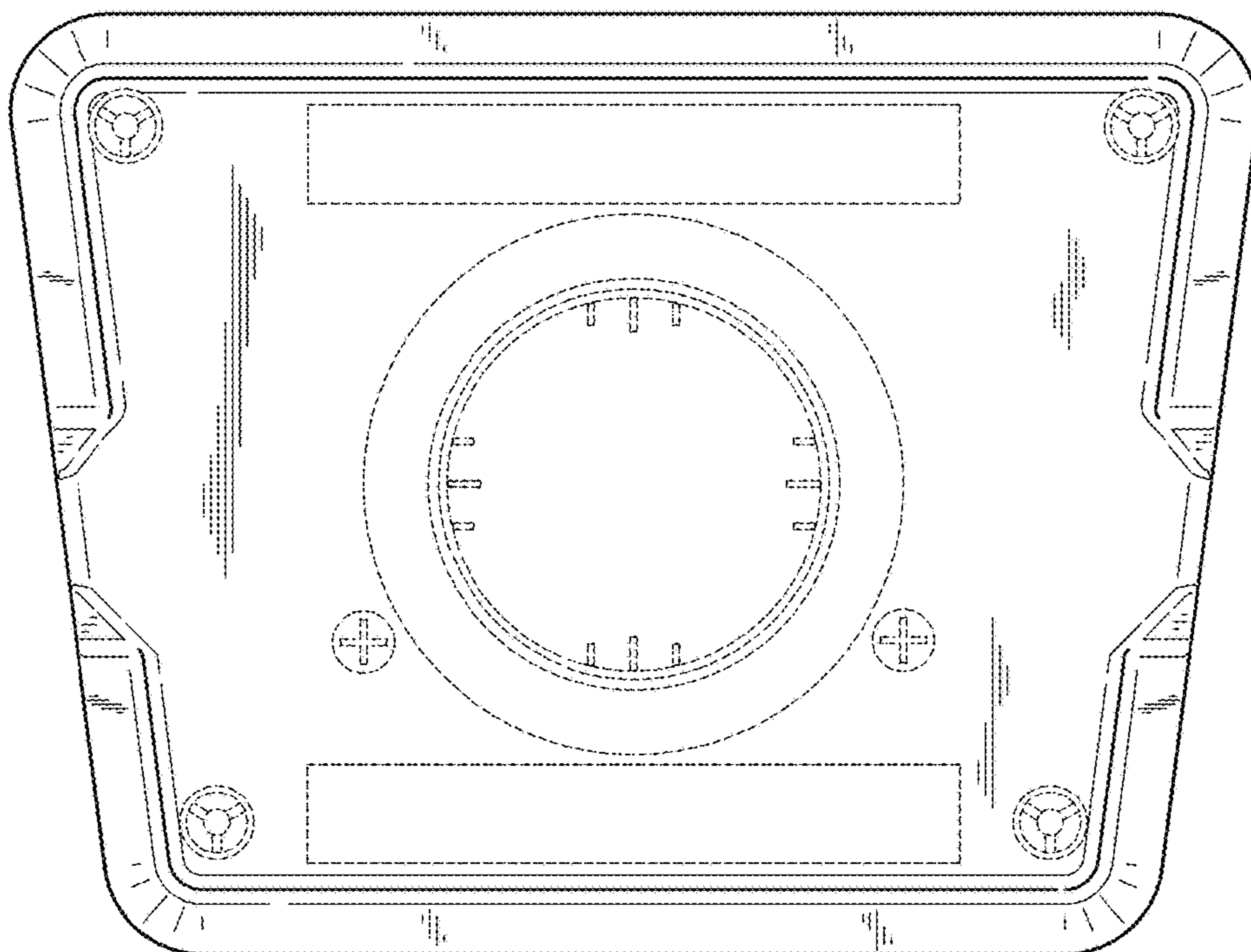


FIG. 7

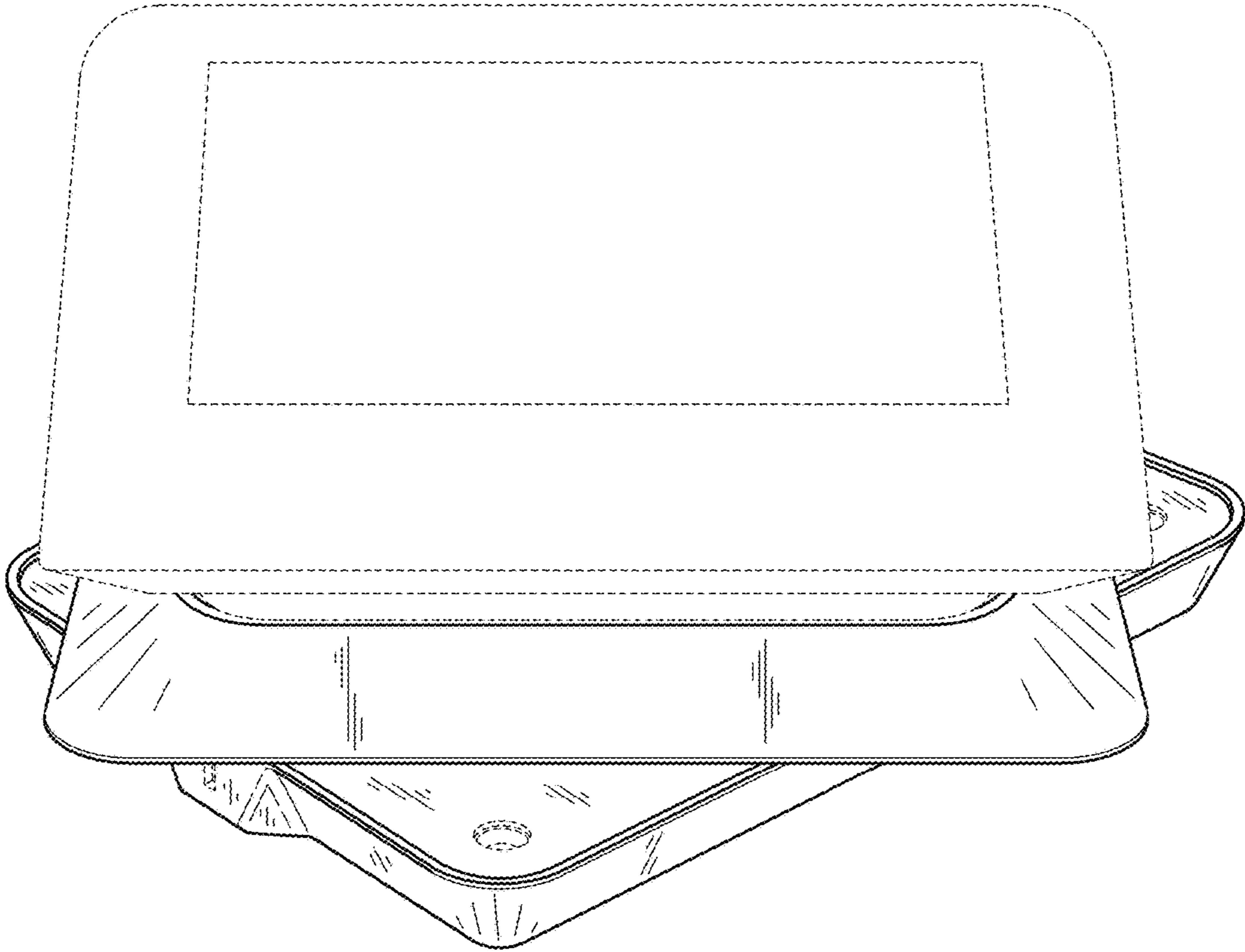


FIG. 8