



US00D809585S

(12) **United States Design Patent**
Shimizu

(10) **Patent No.:** **US D809,585 S**

(45) **Date of Patent:** **** Feb. 6, 2018**

(54) **LAMP UNIT FOR PROJECTOR**

(71) Applicant: **SEIKO EPSON CORPORATION,**
Tokyo (JP)

(72) Inventor: **Katsuya Shimizu,** Matsumoto (JP)

(73) Assignee: **SEIKO EPSON CORPORATION,**
Tokyo (JP)

(**) Term: **15 Years**

(21) Appl. No.: **29/576,892**

(22) Filed: **Sep. 8, 2016**

(30) **Foreign Application Priority Data**

Mar. 16, 2016 (JP) 2016-005760

(51) **LOC (11) Cl.** **16-02**

(52) **U.S. Cl.**
USPC **D16/235**

(58) **Field of Classification Search**

USPC D16/134, 208, 221, 225, 230, 235, 242;
D26/1, 4, 24, 28; 353/85, 87, 119;
362/227, 297, 345, 362, 373

CPC G03B 21/16; G03B 21/20; G03B 21/2026;
G03B 21/2093; H01J 61/025; H01J
61/52; H01J 61/523; H01J 7/24; F21V
29/00; F21V 29/02; H04N 9/21344

See application file for complete search history.

(56) **References Cited**

U.S. PATENT DOCUMENTS

D558,252 S * 12/2007 Matsumiya D16/221
D561,232 S * 2/2008 Nishizawa D16/221
D574,408 S * 8/2008 Kobayashi D16/235
D582,466 S * 12/2008 Nakano D16/235
D583,849 S * 12/2008 Uchida D16/235
D584,328 S * 1/2009 Sasaki D16/235
D589,997 S * 4/2009 Hieda D16/235

D591,322 S * 4/2009 Nagumo D16/235
D605,216 S * 12/2009 Nakano D16/235
D605,684 S * 12/2009 Takizawa D16/235
D607,126 S * 12/2009 Sakai D26/1
D616,482 S * 5/2010 Nishi D16/235
D616,912 S * 6/2010 Sasaki D16/235
D630,237 S * 1/2011 Inui D16/235
D630,667 S * 1/2011 Inui D16/235
D645,892 S * 9/2011 Nishi D16/235
D650,823 S * 12/2011 Inui D16/235
D650,824 S * 12/2011 Inui D16/235
D653,689 S * 2/2012 Inui D16/235
D672,803 S * 12/2012 Enokishima D16/235
D673,202 S * 12/2012 Takizawa D16/235
D686,271 S * 7/2013 Tanaka D16/235
D689,915 S * 9/2013 Miyata D16/235
D689,916 S * 9/2013 Tateno D16/235
D701,259 S * 3/2014 Inui D16/235

(Continued)

Primary Examiner — Wan Laymon

Assistant Examiner — Clint A Samuel

(57) **CLAIM**

The ornamental design for a lamp unit for projector, as shown and described.

DESCRIPTION

FIG. 1 is a front, top, and right side perspective view of a lamp unit for projector showing my new design;

FIG. 2 is a rear, bottom, and left side perspective view thereof;

FIG. 3 is a front view thereof;

FIG. 4 is a rear view thereof;

FIG. 5 is a top plan view thereof;

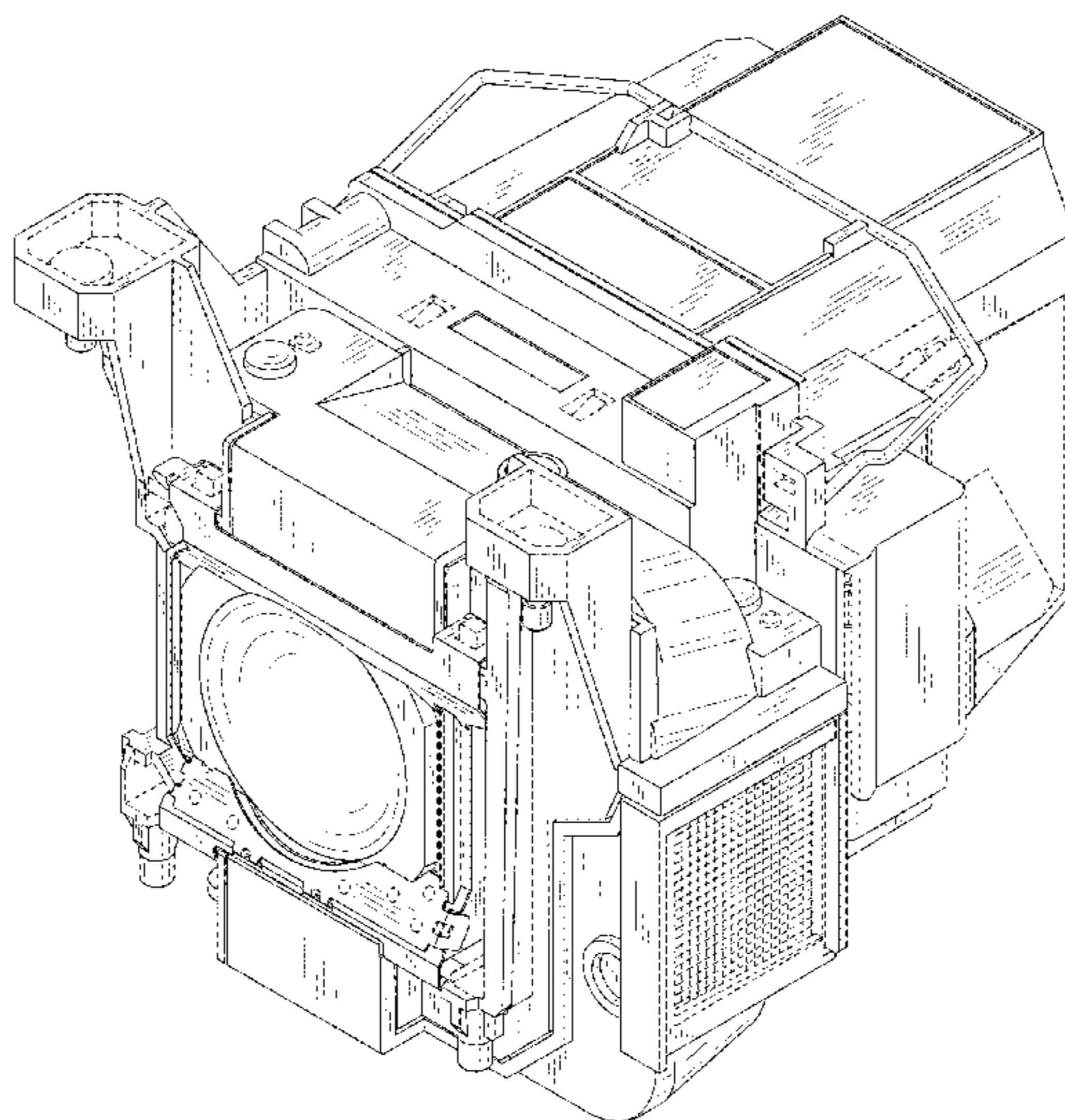
FIG. 6 is a bottom plan view thereof;

FIG. 7 is a right side view thereof; and,

FIG. 8 is a left side view thereof.

The features shown in broken lines in the drawings depict environmental subject matter only and form no part of the claimed design.

1 Claim, 8 Drawing Sheets



(56)

References Cited

U.S. PATENT DOCUMENTS

D707,282 S *	6/2014	Tanaka	D16/235
D728,000 S *	4/2015	Inui	D16/235
D738,425 S	9/2015	Miyata et al.	
D788,837 S *	6/2017	Miyata	D16/235

* cited by examiner

Fig.1

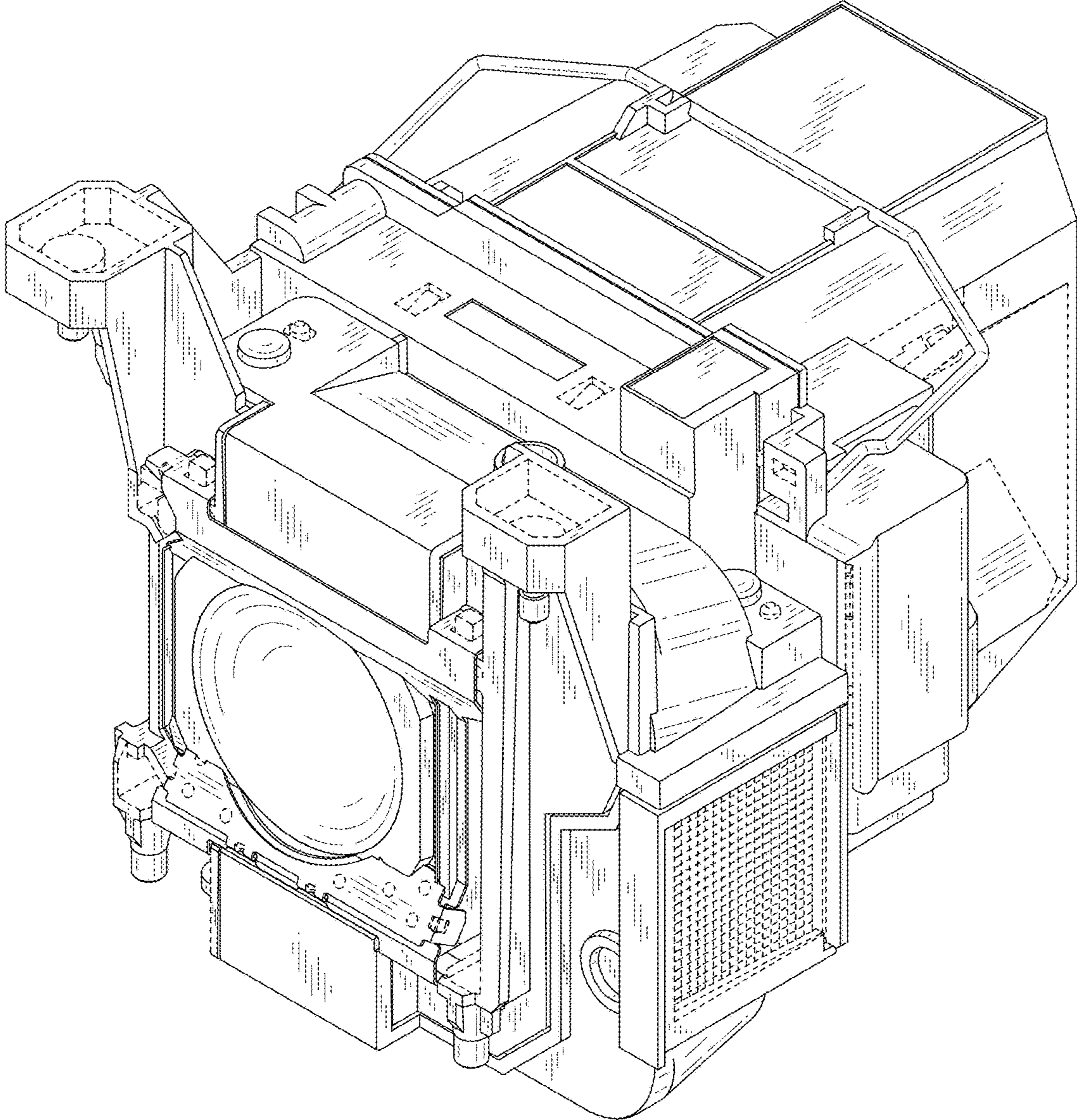


Fig.2

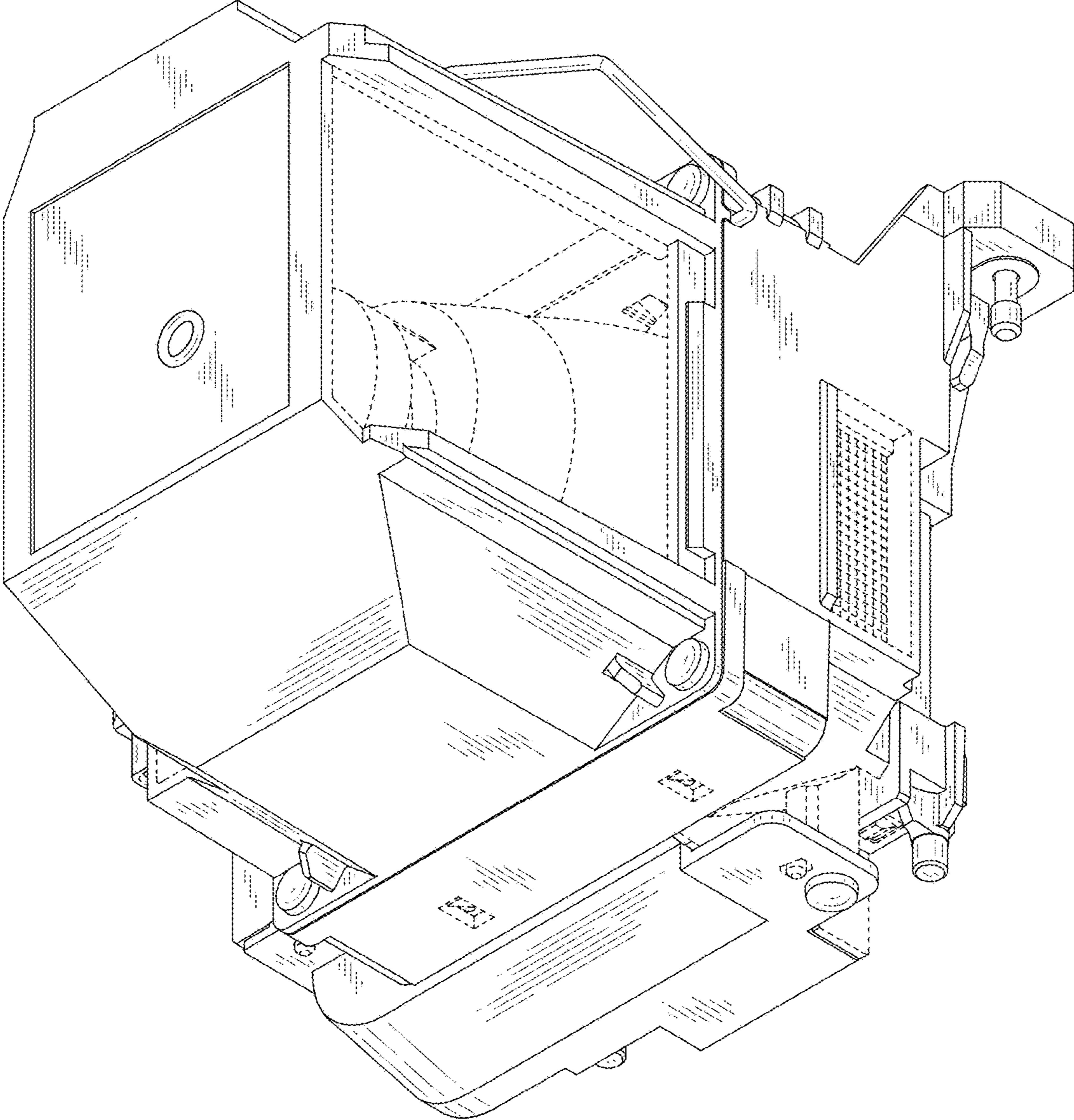


Fig.3

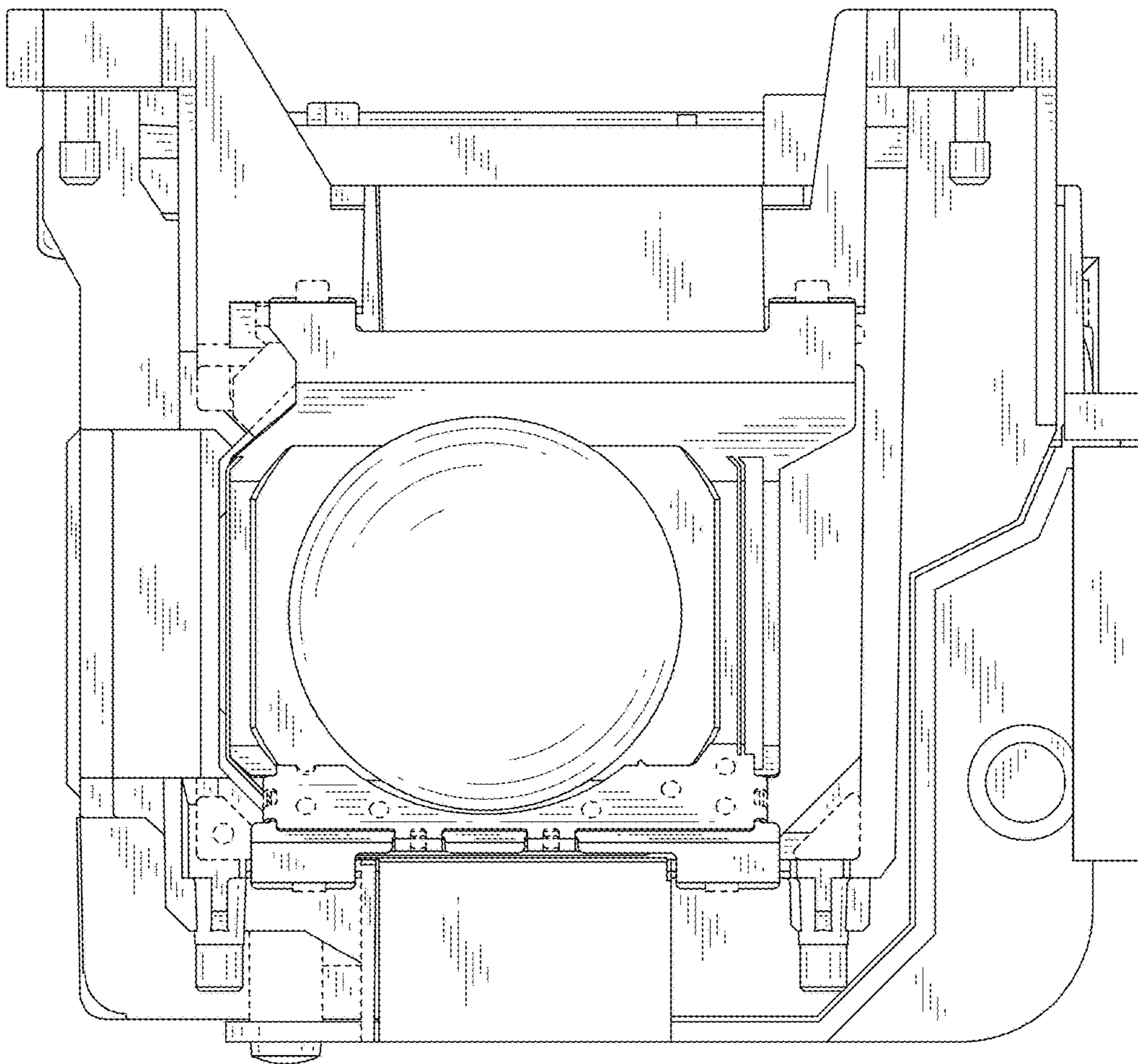


Fig.4

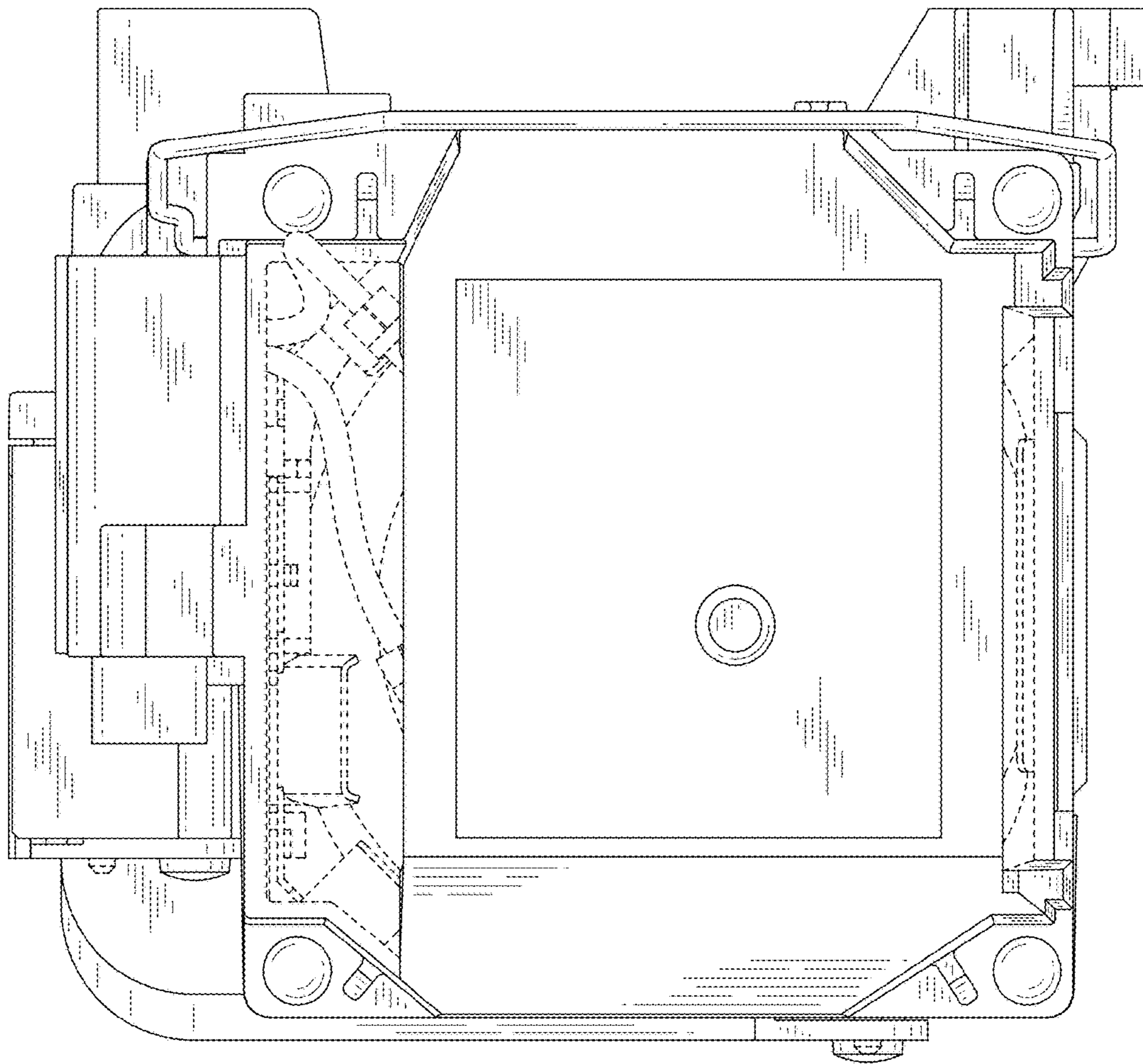


Fig.5

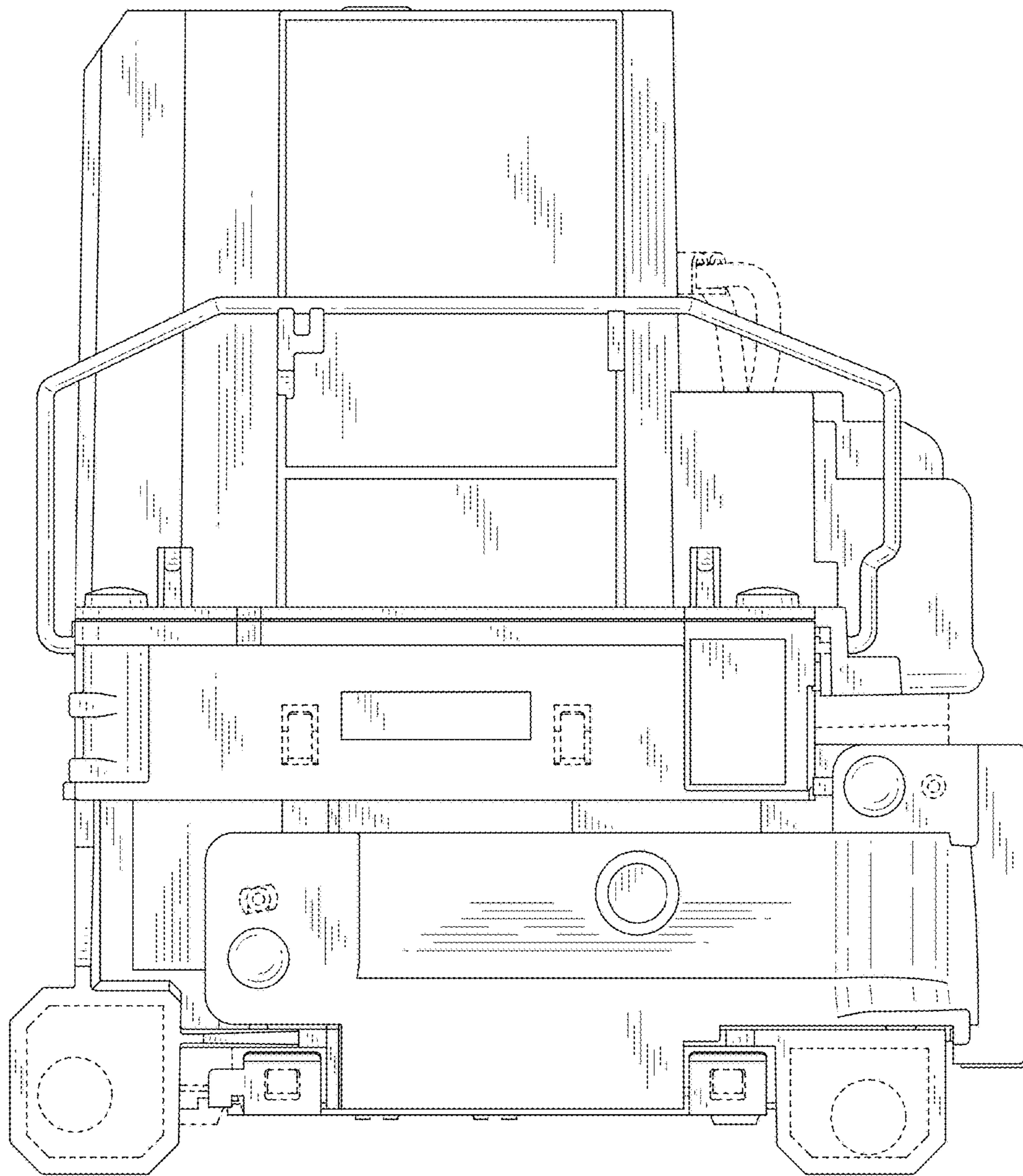
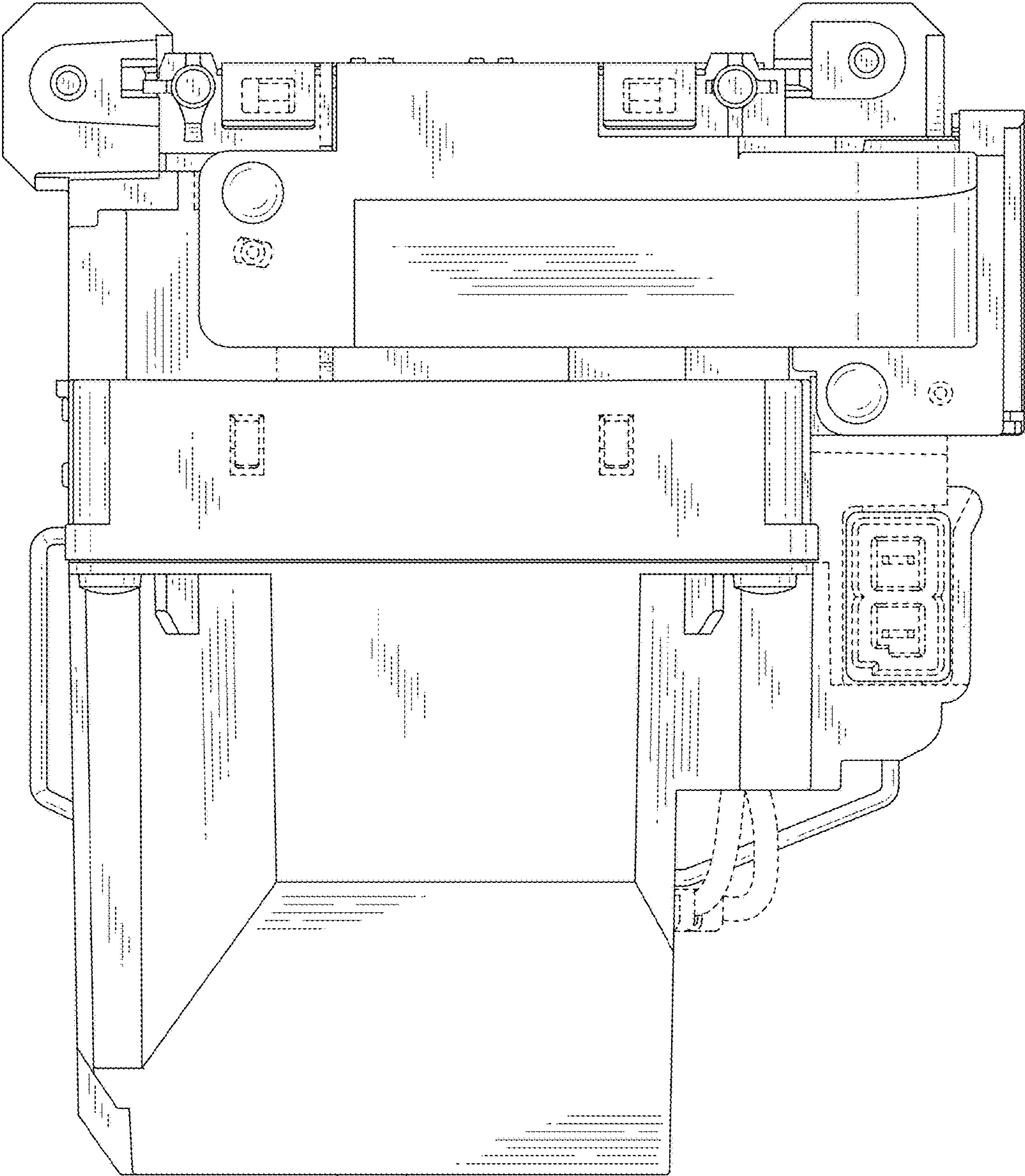


Fig.6



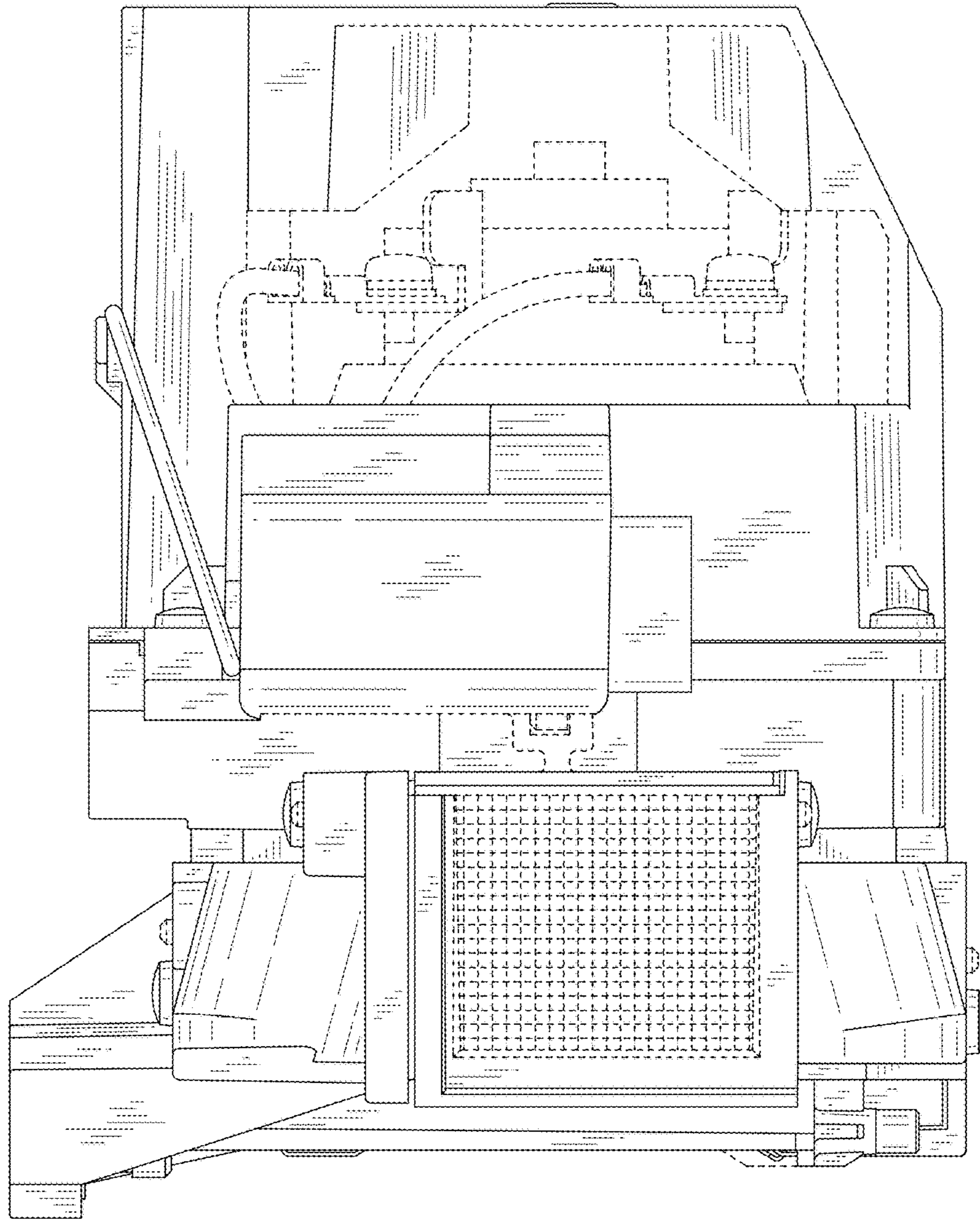


Fig.7

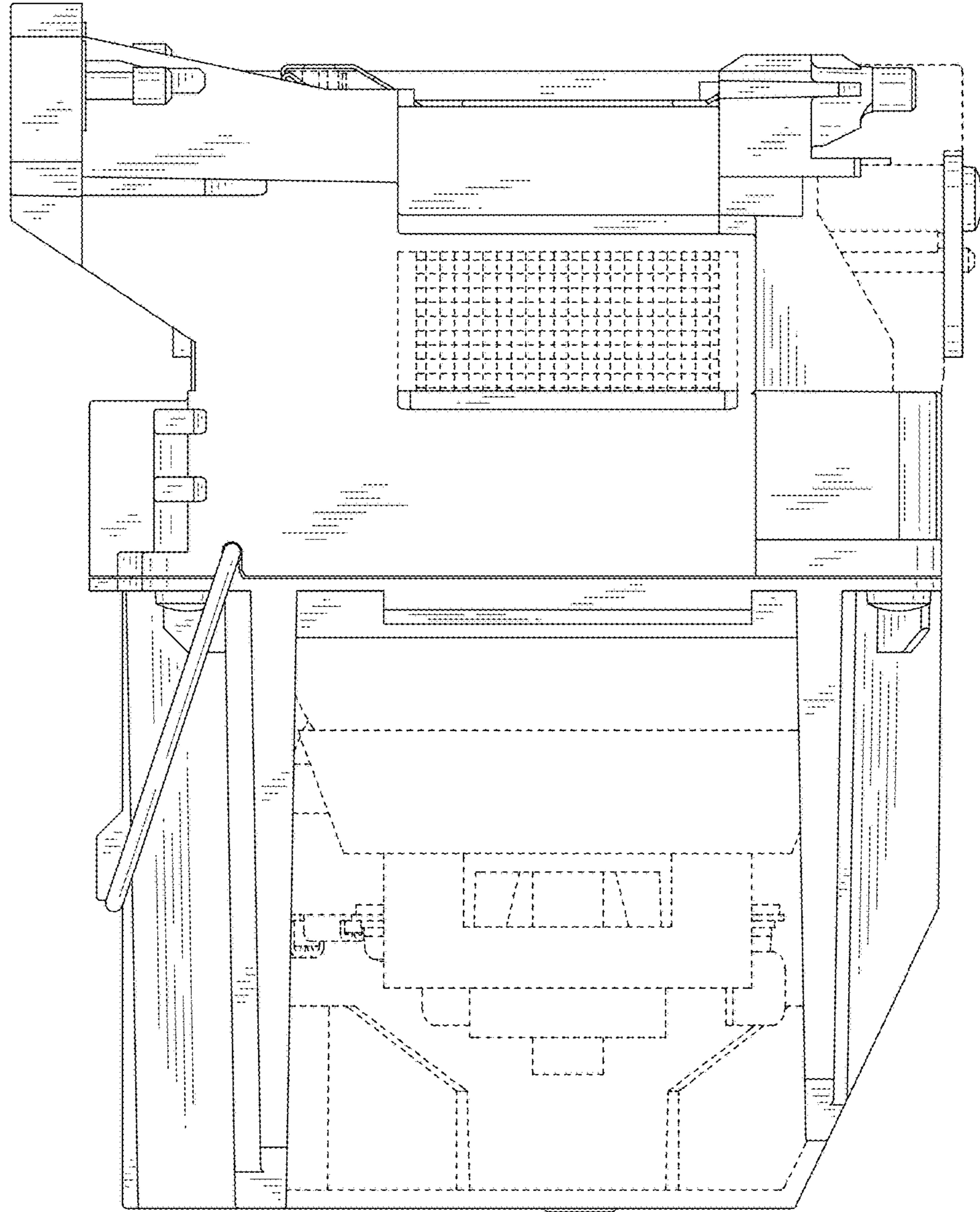


Fig.8