



US00D809583S

(12) **United States Design Patent** (10) **Patent No.:** **US D809,583 S**  
**Morishita** (45) **Date of Patent:** **\*\* Feb. 6, 2018**

(54) **VIDEO CAMERA**

(71) Applicant: **Panasonic Intellectual Property Management Co., Ltd.**, Osaka-shi, Osaka (JP)

(72) Inventor: **Yoshihito Morishita**, Osaka (JP)

(73) Assignee: **PANASONIC INTELLECTUAL PROPERTY MANAGEMENT CO., LTD.**, Osaka (JP)

(\*\*) Term: **15 Years**

(21) Appl. No.: **29/569,233**

(22) Filed: **Jun. 24, 2016**

(30) **Foreign Application Priority Data**

Feb. 3, 2016 (JP) ..... 2016-002214

(51) **LOC (11) Cl.** ..... **16-01**

(52) **U.S. Cl.**  
USPC ..... **D16/202**

(58) **Field of Classification Search**  
USPC ..... D16/200-208, 211, 216-219, 221, 230, D16/237  
CPC .. G03B 17/08; G03B 17/568; G03B 2217/00; H04N 5/2252; H04N 5/225  
See application file for complete search history.

(56) **References Cited**

**U.S. PATENT DOCUMENTS**

D96,350 S *	7/1935	Teague	.....	D16/217
D150,289 S *	7/1948	Crapsey, Jr.	.....	D16/218
D167,256 S *	7/1952	Crapsey, Jr.	.....	D16/218
D361,778 S *	8/1995	Matsumura	.....	D16/202
D368,729 S *	4/1996	Choi	.....	D16/202
D390,243 S *	2/1998	Choi	.....	D16/202
D412,515 S *	8/1999	Oka	.....	D16/202
D489,080 S *	4/2004	Ito	.....	D16/202

D496,382 S *	9/2004	Yamakami	.....	D16/200
D510,376 S *	10/2005	Yamakami	.....	D16/200
D543,223 S *	5/2007	Uchiyama	.....	D16/202
D622,300 S *	8/2010	Endo	.....	D16/202
D628,614 S *	12/2010	Barley	.....	D16/203
D668,282 S *	10/2012	Ohno	.....	D16/203
D672,382 S *	12/2012	Zeinoun	.....	D16/203

(Continued)

**FOREIGN PATENT DOCUMENTS**

JP	D1509233	10/2014
JP	D1510253	11/2014
JP	D1522520	4/2015

*Primary Examiner* — Susan E Krakower

*Assistant Examiner* — L. A. Grabenstetter

(74) *Attorney, Agent, or Firm* — Brinks Gilson & Lione

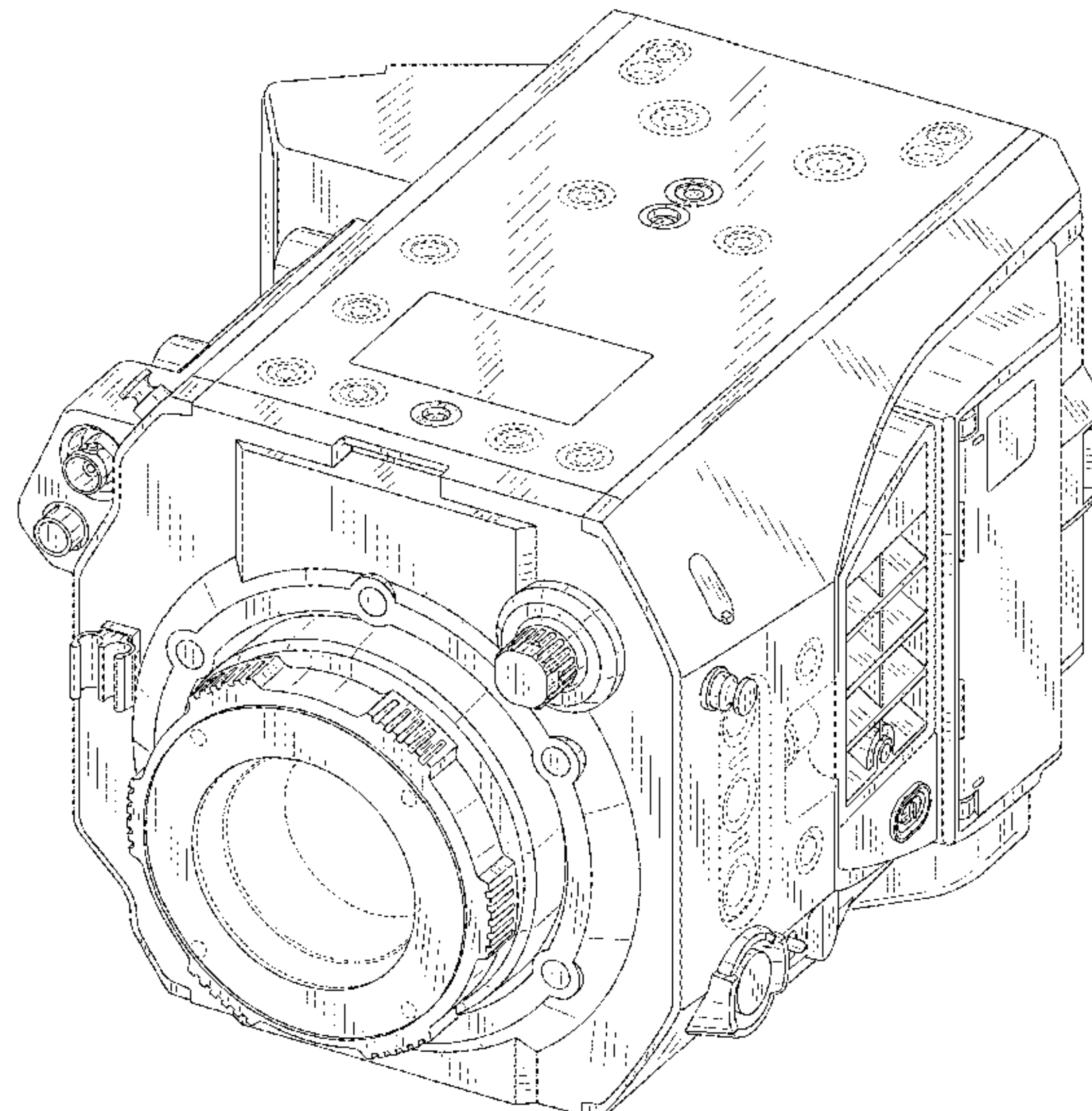
(57) **CLAIM**

I claim the ornamental design for a video camera, as shown and described.

**DESCRIPTION**

FIG. 1 is a front and top perspective view of a video camera of the present invention;  
FIG. 2 is a rear and top perspective view thereof;  
FIG. 3 is a front view thereof;  
FIG. 4 is a rear view thereof;  
FIG. 5 is a first side view thereof;  
FIG. 6 is a second side view thereof;  
FIG. 7 is a top view thereof;  
FIG. 8 is a bottom view thereof;  
FIG. 9 is a sectional view, taken from line 9-9 in FIG. 3; and,  
FIG. 10 is a sectional view, taken from line 10-10 in FIG. 7.  
The broken lines depict portions of the video camera in which the design is embodied that form no part of the claimed design. Additionally, the dot-dash lines shown in FIGS. 1 and 3 denote the boundary of the claim and form no part of the claimed design.

**1 Claim, 10 Drawing Sheets**



(56)

**References Cited**

U.S. PATENT DOCUMENTS

D676,888	S *	2/2013	Hayashi .....	D16/203
D679,306	S *	4/2013	Wu .....	D16/202
D681,711	S *	5/2013	Ishibashi .....	D16/202
D684,618	S *	6/2013	Park .....	D16/203
D689,110	S *	9/2013	Euihoon .....	D16/202
D695,330	S *	12/2013	Shimizu .....	D16/202
D696,328	S *	12/2013	Nishiwaki .....	D16/202
D705,843	S *	5/2014	Kawai .....	D16/202
D720,789	S *	1/2015	Minamide .....	D16/203
D722,095	S *	2/2015	Miyamori .....	D16/203
2005/0099521	A1 *	5/2005	Bleau .....	H04N 5/2252 348/340

\* cited by examiner

FIG. 1

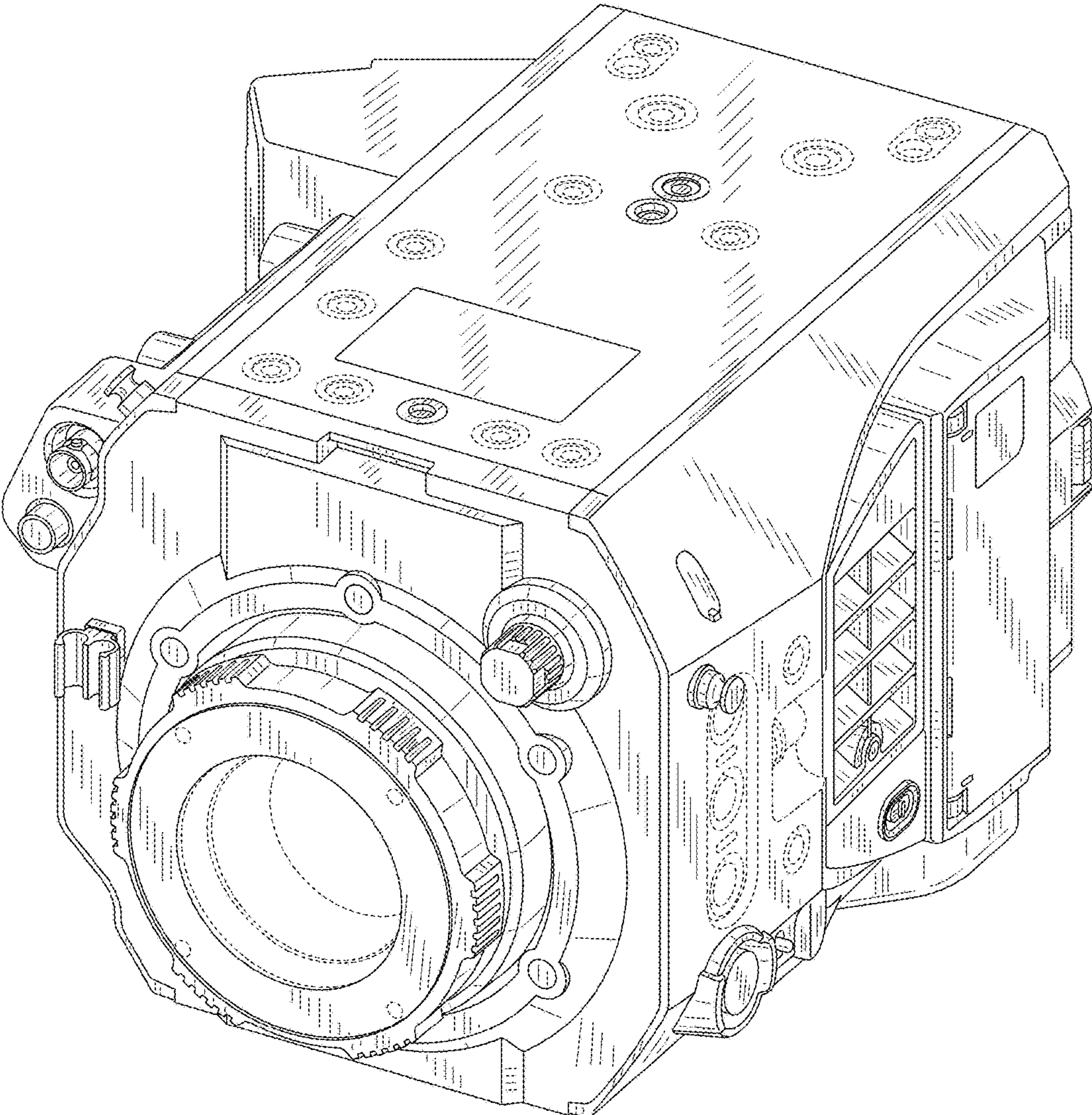




FIG. 2

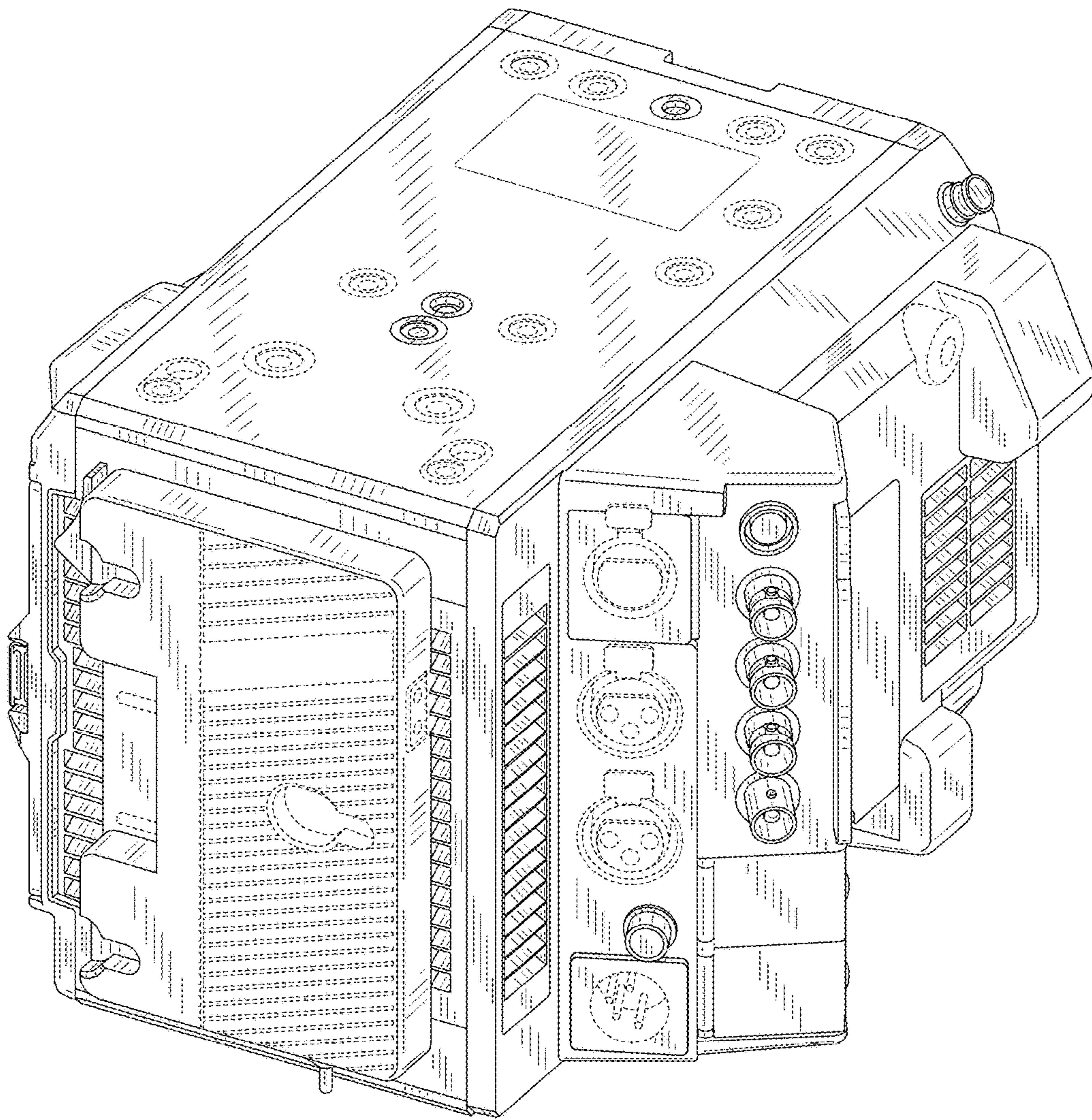


FIG. 3

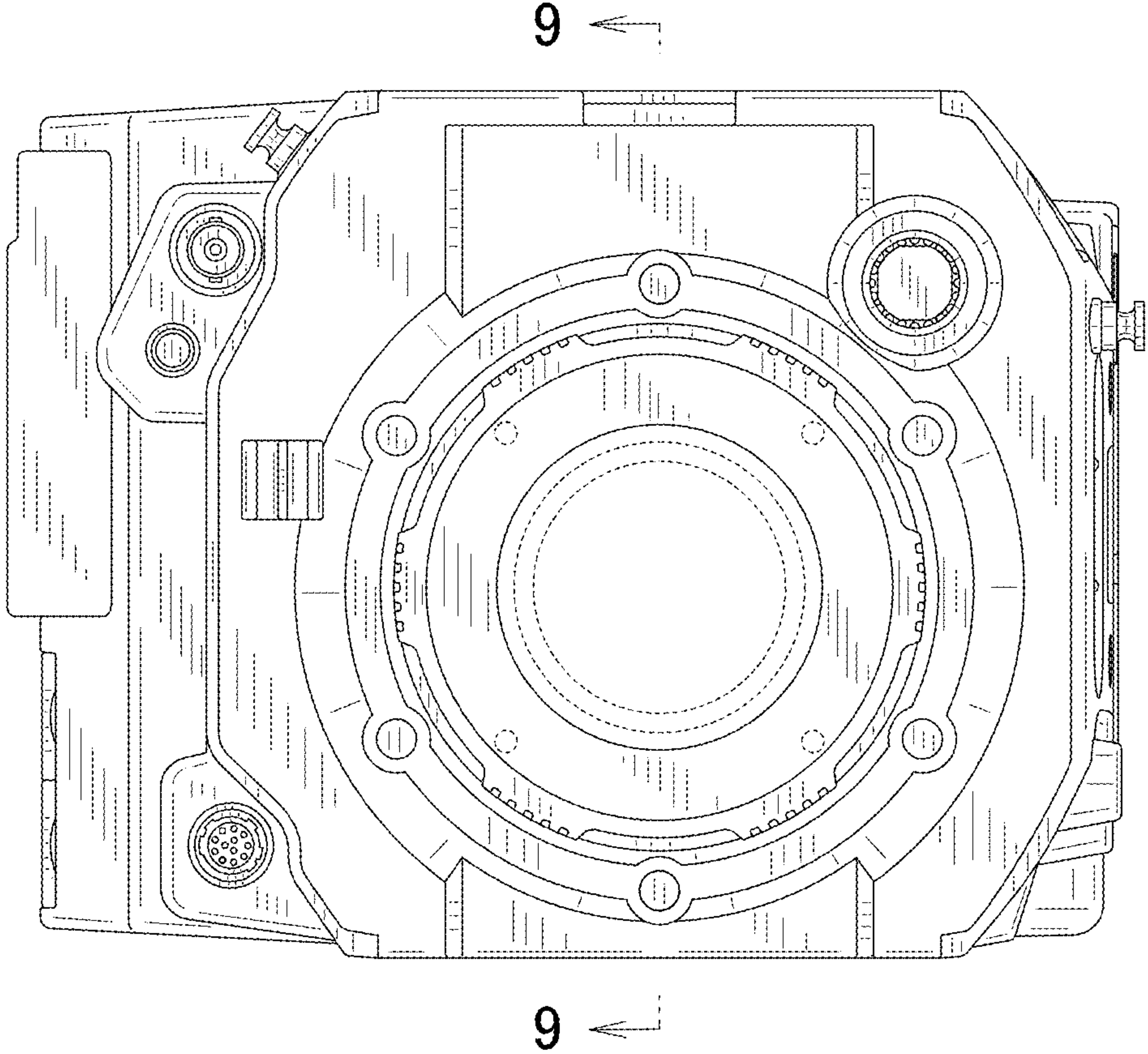






FIG. 5

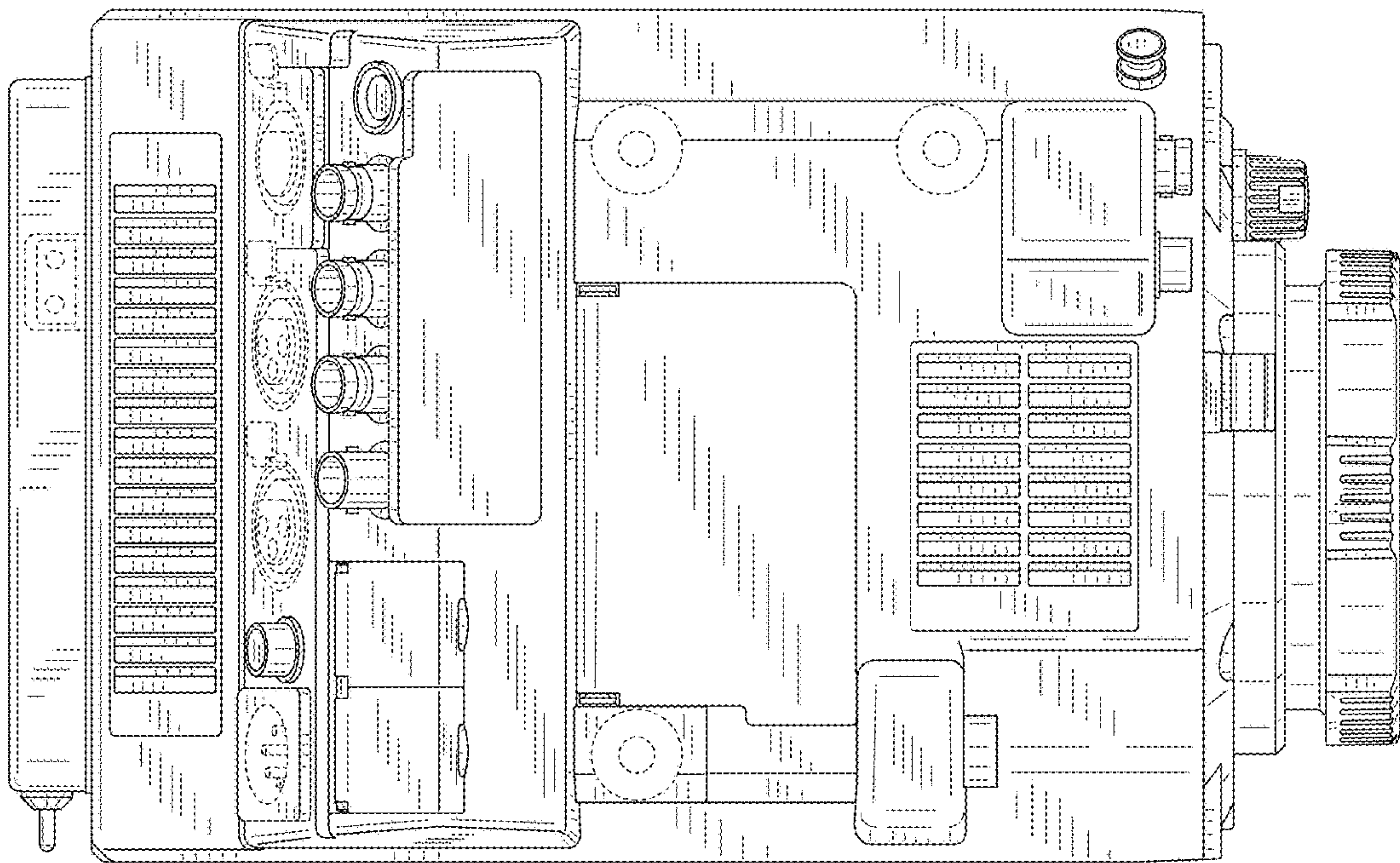


FIG. 6

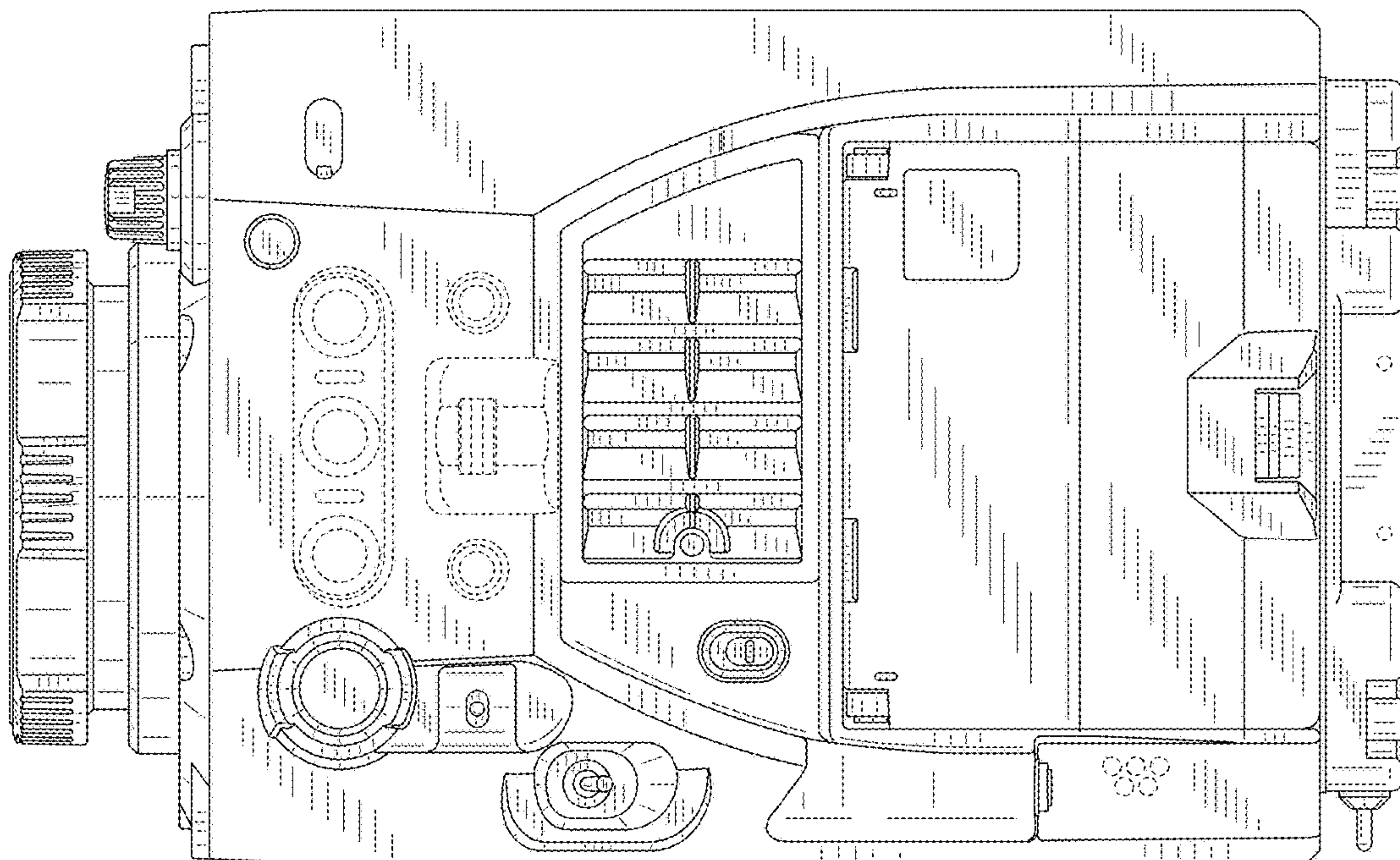




FIG. 7

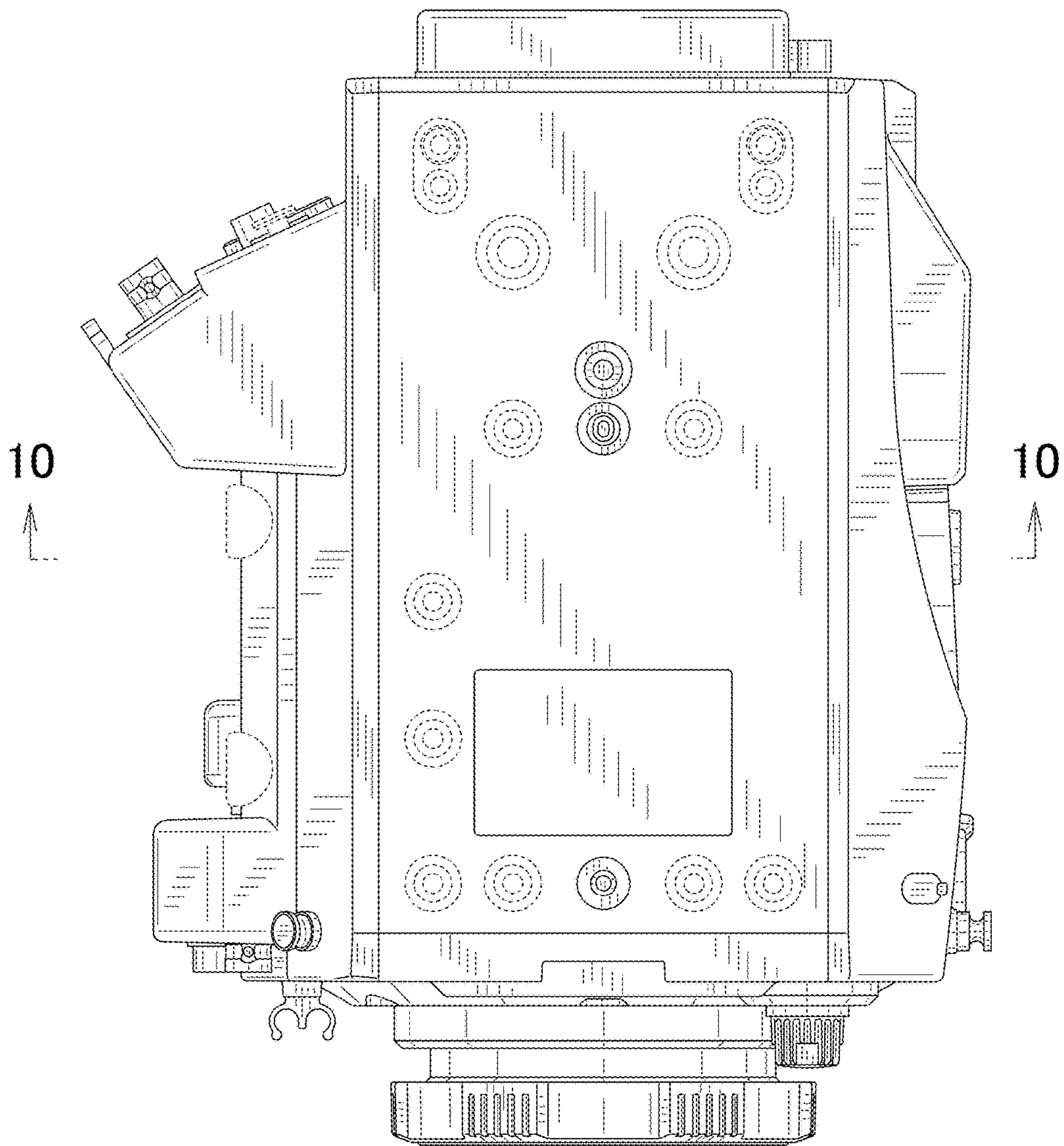


FIG. 8

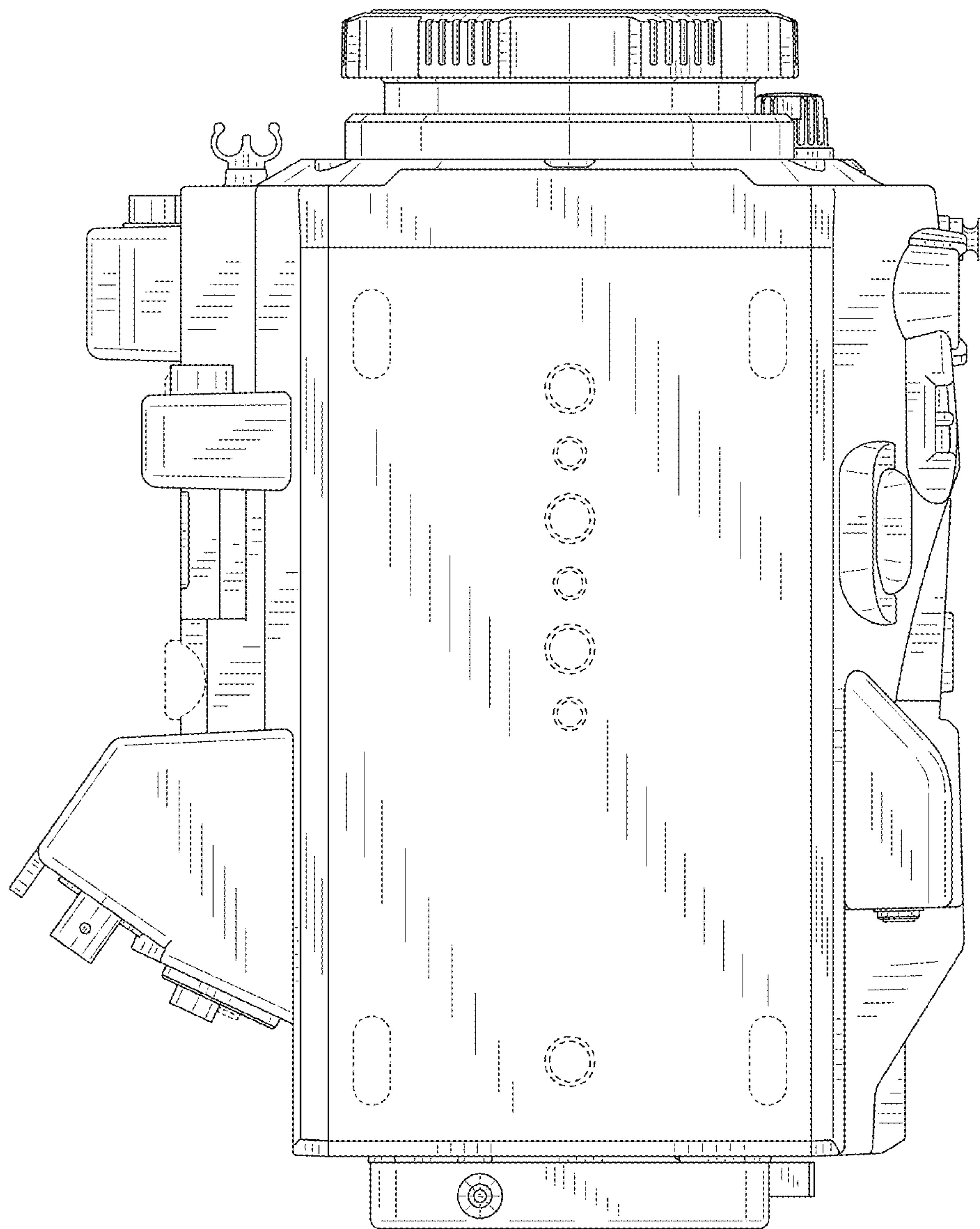


FIG. 9

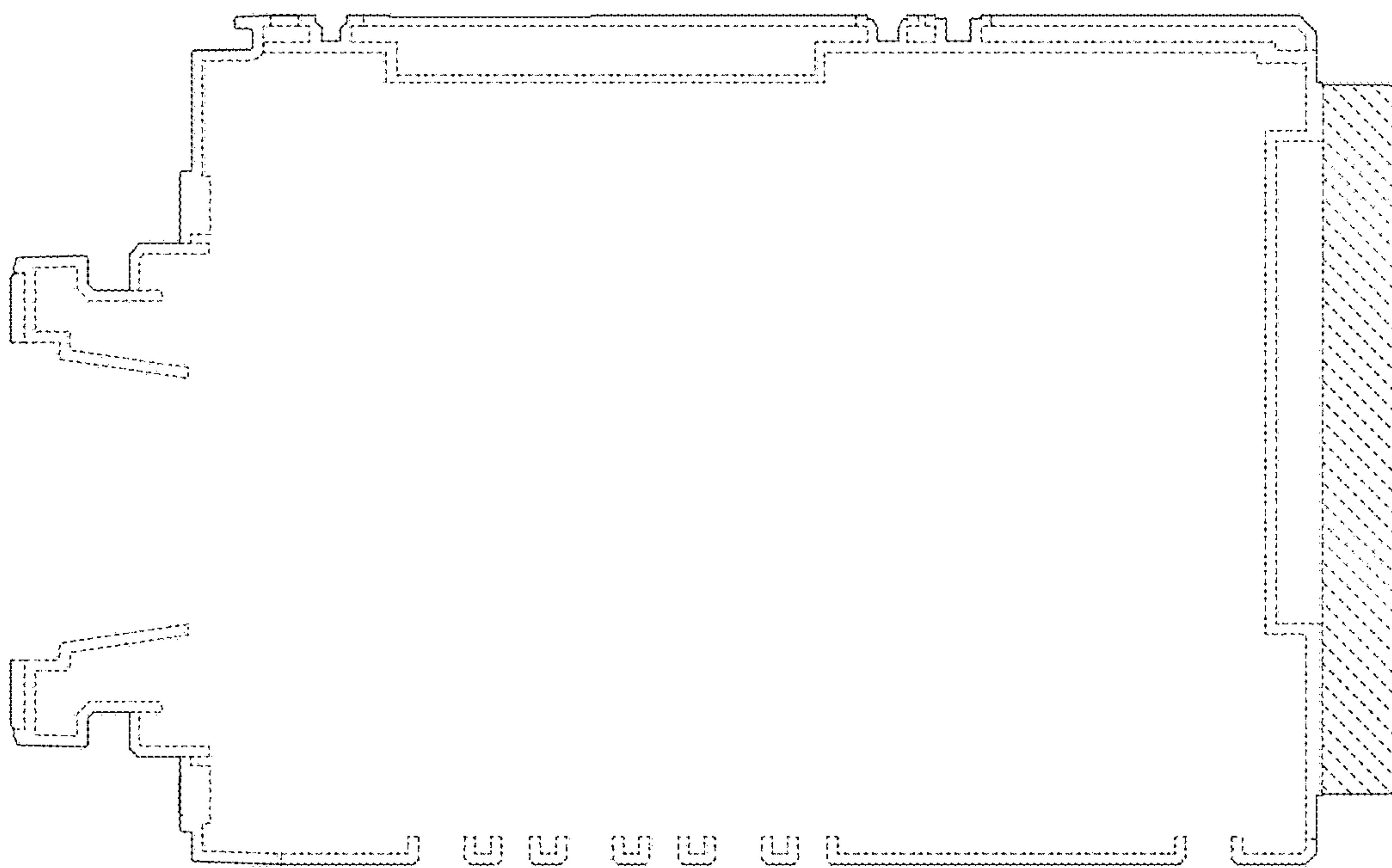




FIG. 10

