



US00D809579S

(12) **United States Design Patent** (10) **Patent No.:** **US D809,579 S**
Buss (45) **Date of Patent:** **** Feb. 6, 2018**

(54) **WELDING TORCH COMPONENT** 5,396,043 A * 3/1995 Couch, Jr. B23K 10/00
219/121.48
(71) Applicant: **Carl Cloos Schweisstechnik GmbH,** D359,058 S * 6/1995 Carkhuff D15/144
Haiger (DE) D362,860 S * 10/1995 Carkhuff D15/144
D365,345 S * 12/1995 Carkhuff D15/144
(72) Inventor: **Andreas Buss,** Herborn (DE) D371,058 S * 6/1996 Walters 219/119
5,609,306 A * 3/1997 Siegel B65G 53/521
193/25 R
(73) Assignee: **Carl Cloos Schweisstechnik GmbH,** D384,682 S * 10/1997 Turner D15/144
Haiger (DE) 5,747,767 A * 5/1998 Severance H05H 1/28
219/121.48
(**) Term: **14 Years** 5,856,647 A * 1/1999 Luo B23K 10/00
219/121.48
(21) Appl. No.: **29/519,817** 5,893,985 A * 4/1999 Luo B23K 10/00
219/121.48
(22) Filed: **Mar. 9, 2015** 5,965,040 A * 10/1999 Luo B23K 10/00
219/121.48

(Continued)

(30) **Foreign Application Priority Data**

Sep. 11, 2014 (EM) 002535971

(51) **LOC (11) Cl.** **15-09**

(52) **U.S. Cl.**
USPC **D15/144**

(58) **Field of Classification Search**
USPC D15/144, 144.1, 144.2; 219/75, 121.51,
219/121.5, 121.39, 121.45, 121.46
See application file for complete search history.

(56) **References Cited**

U.S. PATENT DOCUMENTS

D136,121 S * 8/1943 Baird D15/144
2,721,250 A * 10/1955 Franklin B23K 9/291
219/75
3,698,646 A * 10/1972 Robba B23K 9/291
239/591
D231,834 S * 6/1974 Gulrich D15/144
D269,519 S * 6/1983 Braun D15/138
D269,521 S * 6/1983 Braun D15/138
4,411,411 A * 10/1983 Barthelmess B23K 7/10
266/66
5,162,632 A * 11/1992 Carkhuff B23K 10/00
219/121.48

Primary Examiner — Patricia Palasik

(74) *Attorney, Agent, or Firm* — Grossman Tucker
Perreault & Pfeleger, PLLC

(57) **CLAIM**

The ornamental design for a welding torch component, as shown.

DESCRIPTION

FIG. 1 is a rear end view of the welding torch component of the present invention;

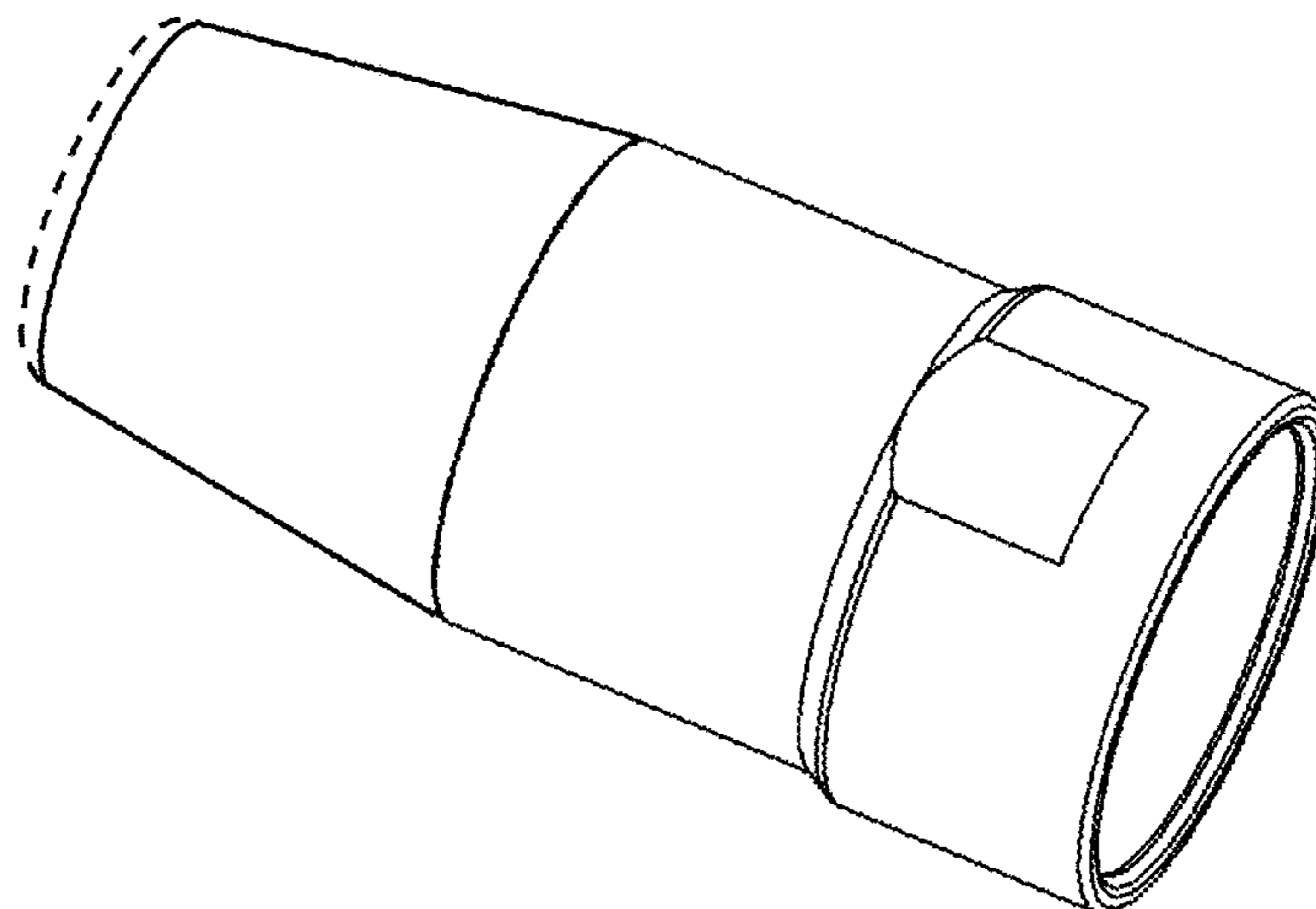
FIG. 2 is a side view of the welding torch component of FIG. 1; and,

FIG. 3 is a perspective view of the welding torch component of FIG. 1.

The drawings represented in FIGS. 1-3 disclose the complete appearance of the design, as the side view is identical around the entire circumference.

Broken lines in the drawings represent unclaimed environmental subject matter.

1 Claim, 3 Drawing Sheets



(56)

References Cited

U.S. PATENT DOCUMENTS

D417,459 S * 12/1999 Shintani D15/144
 D420,374 S * 2/2000 Zigliotto D15/144
 6,163,008 A * 12/2000 Roberts H05H 1/34
 219/121.48
 D446,231 S * 8/2001 Kuraoka D15/144
 D446,530 S * 8/2001 Kuraoka D15/144
 6,457,627 B1 * 10/2002 Komiyama B23K 20/005
 228/1.1
 6,683,273 B2 * 1/2004 Conway H01R 13/005
 219/121.48
 D492,709 S * 7/2004 Horner-Richardson D15/144
 D504,142 S * 4/2005 Horner-Richardson D15/144
 6,888,092 B2 * 5/2005 Walters B23K 9/24
 219/121.48
 D517,577 S * 3/2006 Conway D15/144
 D519,137 S * 4/2006 Furujo D15/144
 D520,037 S * 5/2006 Furujo D15/144
 7,132,619 B2 * 11/2006 Conway H05H 1/34
 219/119
 D582,950 S * 12/2008 Yamaguchi D15/144
 D582,951 S * 12/2008 Yamaguchi D15/144

7,500,590 B2 * 3/2009 Mironescu B23K 20/007
 228/180.5
 D654,939 S * 2/2012 Furujo D15/144
 D654,940 S * 2/2012 Furujo D15/144
 8,212,173 B2 * 7/2012 Liebold H05H 1/34
 219/121.49
 8,389,887 B2 * 3/2013 Liebold B23K 9/296
 219/121.49
 8,513,564 B2 * 8/2013 Matsumoto B23K 10/02
 219/121.39
 D702,272 S * 4/2014 Furujo D15/144
 9,024,230 B2 * 5/2015 Barnett B23K 9/0678
 219/121.36
 D735,787 S * 8/2015 Hassan D15/144
 9,101,041 B2 * 8/2015 Reinke H05H 1/34
 D744,560 S * 12/2015 Hassan D15/144
 D744,561 S * 12/2015 Hassan D15/144
 D744,562 S * 12/2015 Hassan D15/144
 D744,564 S * 12/2015 Hassan D15/144
 D747,377 S * 1/2016 Hassan D15/144
 9,227,214 B2 * 1/2016 Baldwin B05B 12/00
 2005/0082263 A1 * 4/2005 Koike H05H 1/28
 219/121.49
 2010/0264120 A1 * 10/2010 Reinke H05H 1/34
 219/121.5

* cited by examiner

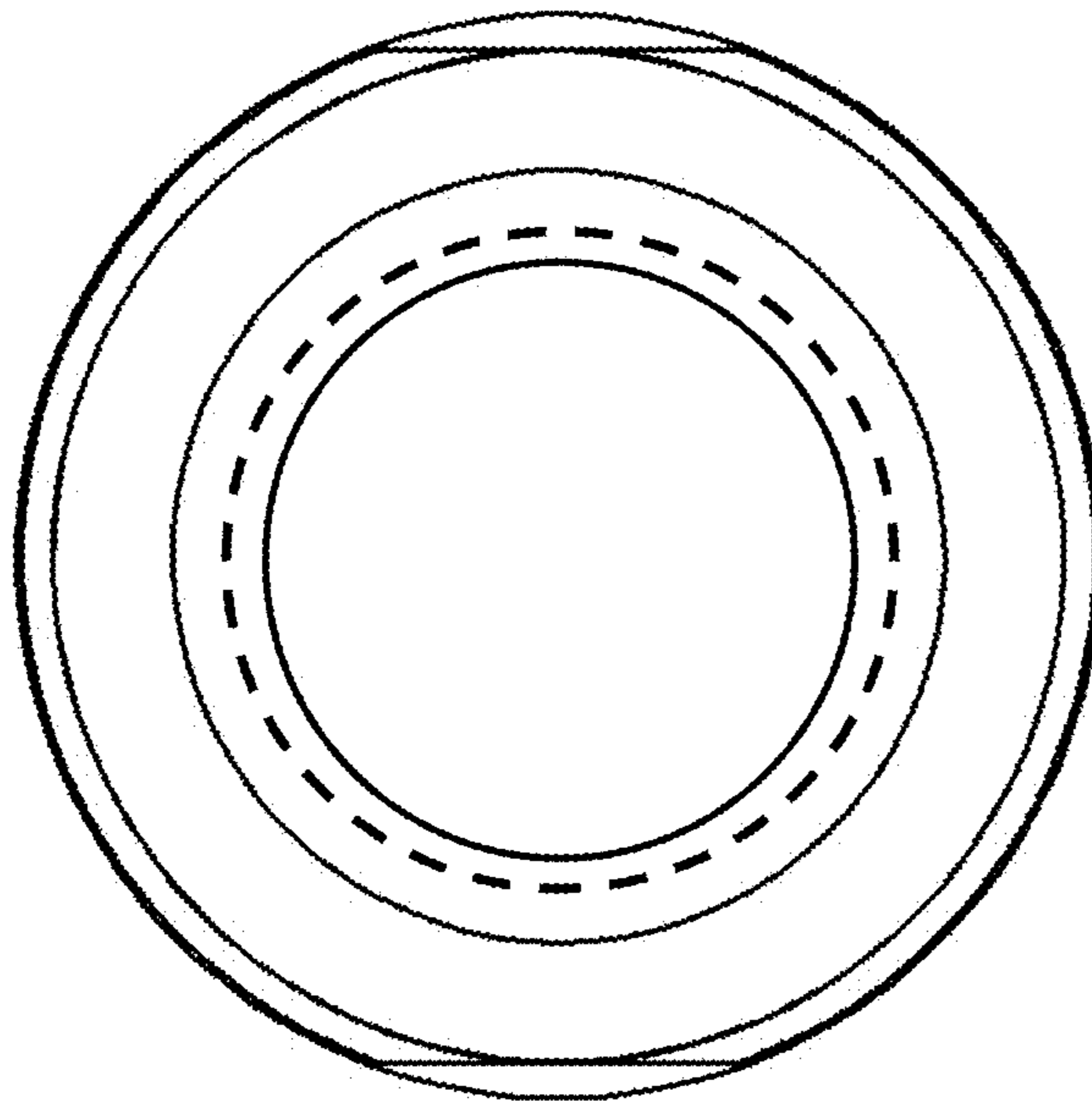


FIG. 1

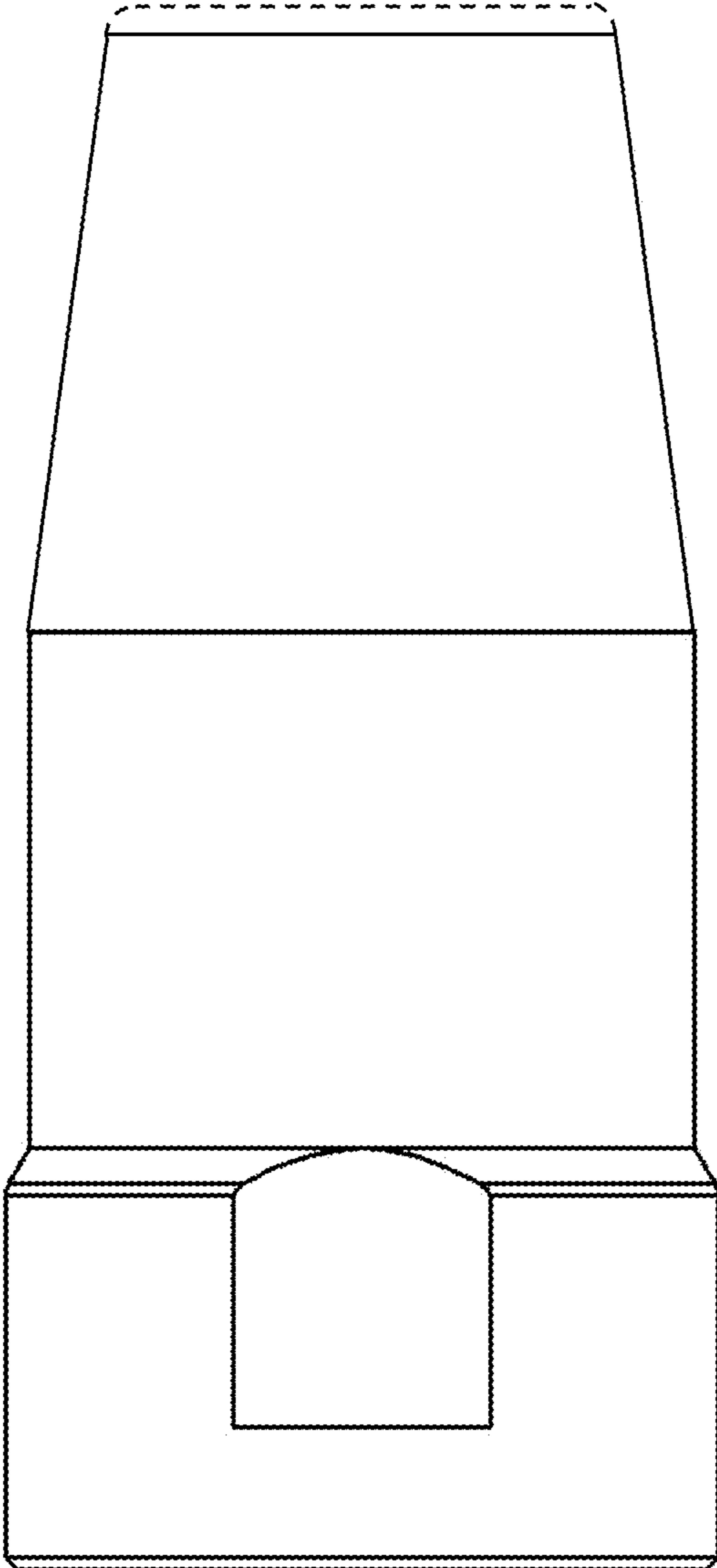


FIG. 2

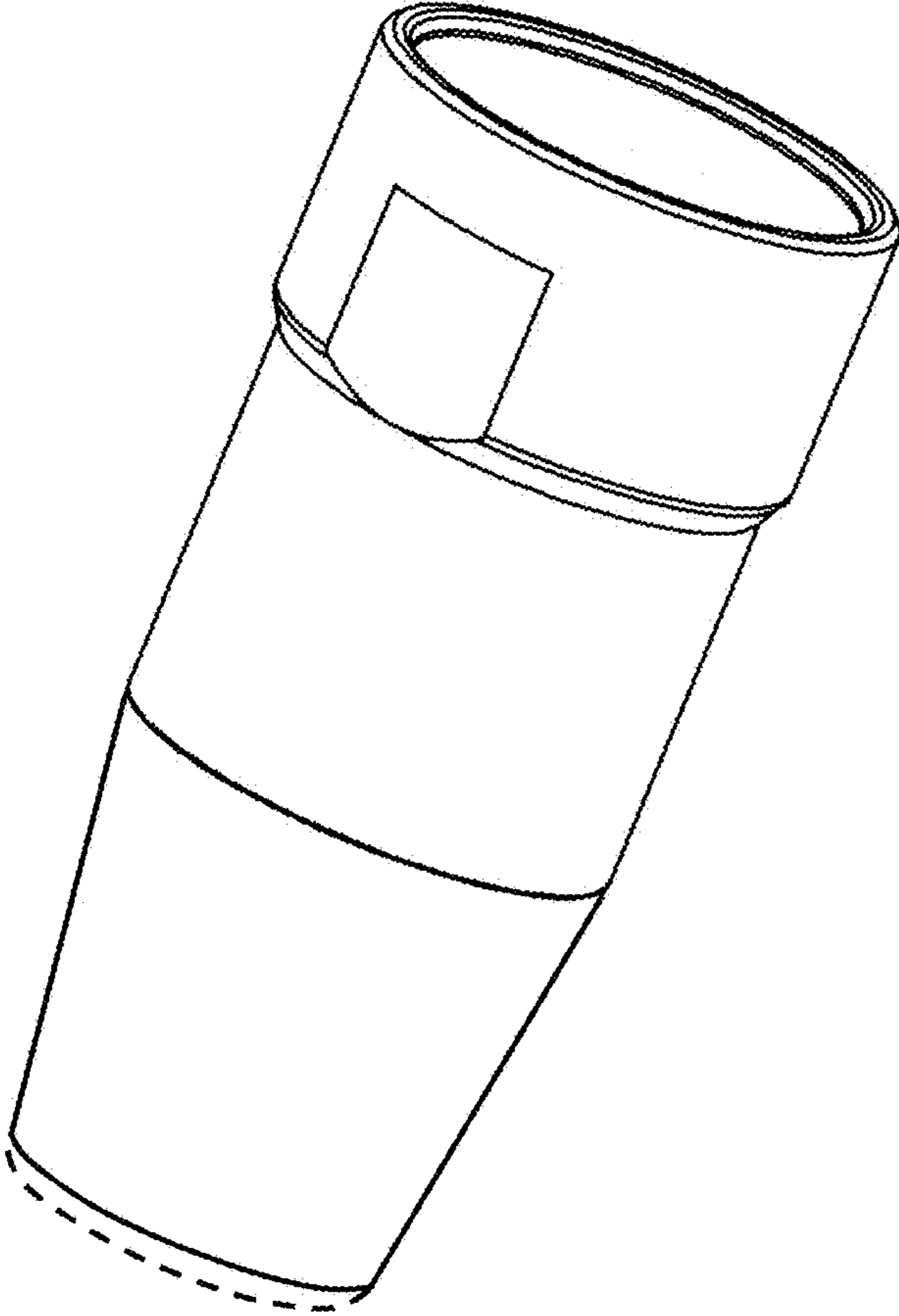


FIG. 3