



US00D809578S

(12) **United States Design Patent**
Cummings

(10) **Patent No.:** **US D809,578 S**

(45) **Date of Patent:** **** Feb. 6, 2018**

- (54) **POCKET HOLE JIG**
- (71) Applicant: **John Cummings**, South Elgin, IL (US)
- (72) Inventor: **John Cummings**, South Elgin, IL (US)
- (73) Assignee: **Nomis LLC**, Palatine, IL (US)
- (**) Term: **15 Years**
- (21) Appl. No.: **29/565,798**

D528,930 S * 9/2006 Degen D10/65
 7,134,814 B1 11/2006 Park
 D533,571 S * 12/2006 Degen D15/140
 D538,622 S * 3/2007 Jones D8/74
 (Continued)

FOREIGN PATENT DOCUMENTS

CA 2 542 223 A1 10/2006
 CN 101100072 A 1/2008
 (Continued)

OTHER PUBLICATIONS

<http://www.milescraft.com/wp-content/uploads/2017/05/M1323M.pdf>—Created Jan. 6, 2017.*
 (Continued)

- (22) Filed: **May 24, 2016**
- (51) **LOC (11) Cl.** **15-09**
- (52) **U.S. Cl.**
USPC **D15/140**
- (58) **Field of Classification Search**
USPC D7/693, 394, 372, 376, 378, 381, 383,
D7/384, 385; D8/20, 23, 25, 41, 47, 54,
D8/55, 58, 61, 64, 66, 70, 86, 98, 99,
D8/352, 366, 376, 387, 397; D15/19, 21,
D15/29, 121, 131, 132, 133, 138, 139,
D15/140
CPC B25D 3/00; B25D 17/02; B25D 2250/111;
B25D 2211/003; B25D 16/00; E21B
10/52; E21B 10/16; E21B 10/567; C03B
23/047; C03B 23/0496

See application file for complete search history.

Primary Examiner — Ian Simmons
Assistant Examiner — Mojtaba Tehrani
 (74) *Attorney, Agent, or Firm* — Reinhart Boerner Van
 Deuren P.C.

(57) **CLAIM**

I claim the ornamental design for a pocket hole jig, as shown and described.

DESCRIPTION

FIG. 1 is a perspective view of the pocket hole jig;
 FIG. 2 is a perspective view thereof;
 FIG. 3 is a perspective view thereof;
 FIG. 4 is a back view thereof;
 FIG. 5 is a front view thereof;
 FIG. 6 is a top view thereof;
 FIG. 7 is a bottom view thereof;
 FIG. 8 is a side view thereof; and,
 FIG. 9 is a side view thereof showing the side opposite that shown in FIG. 8.

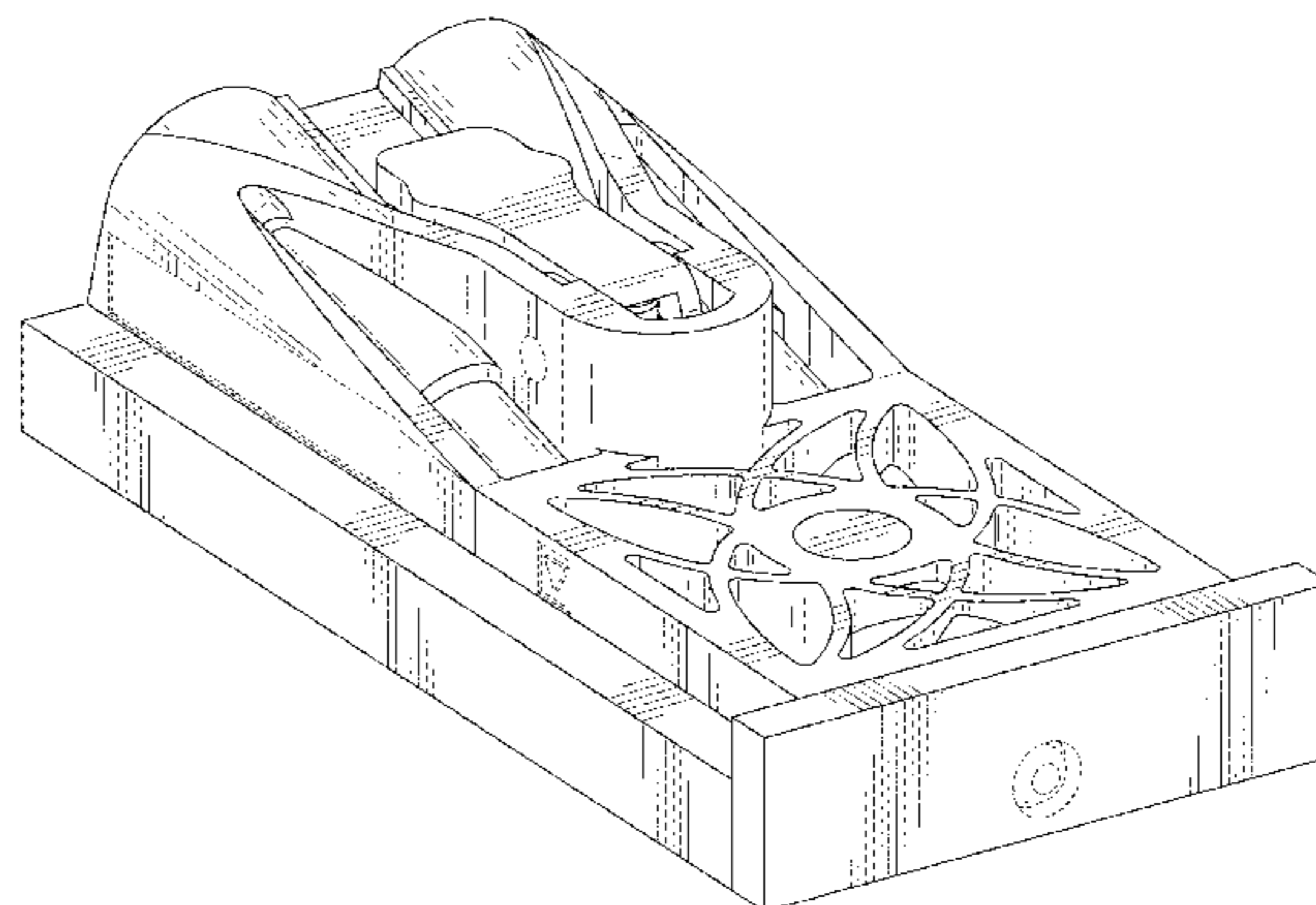
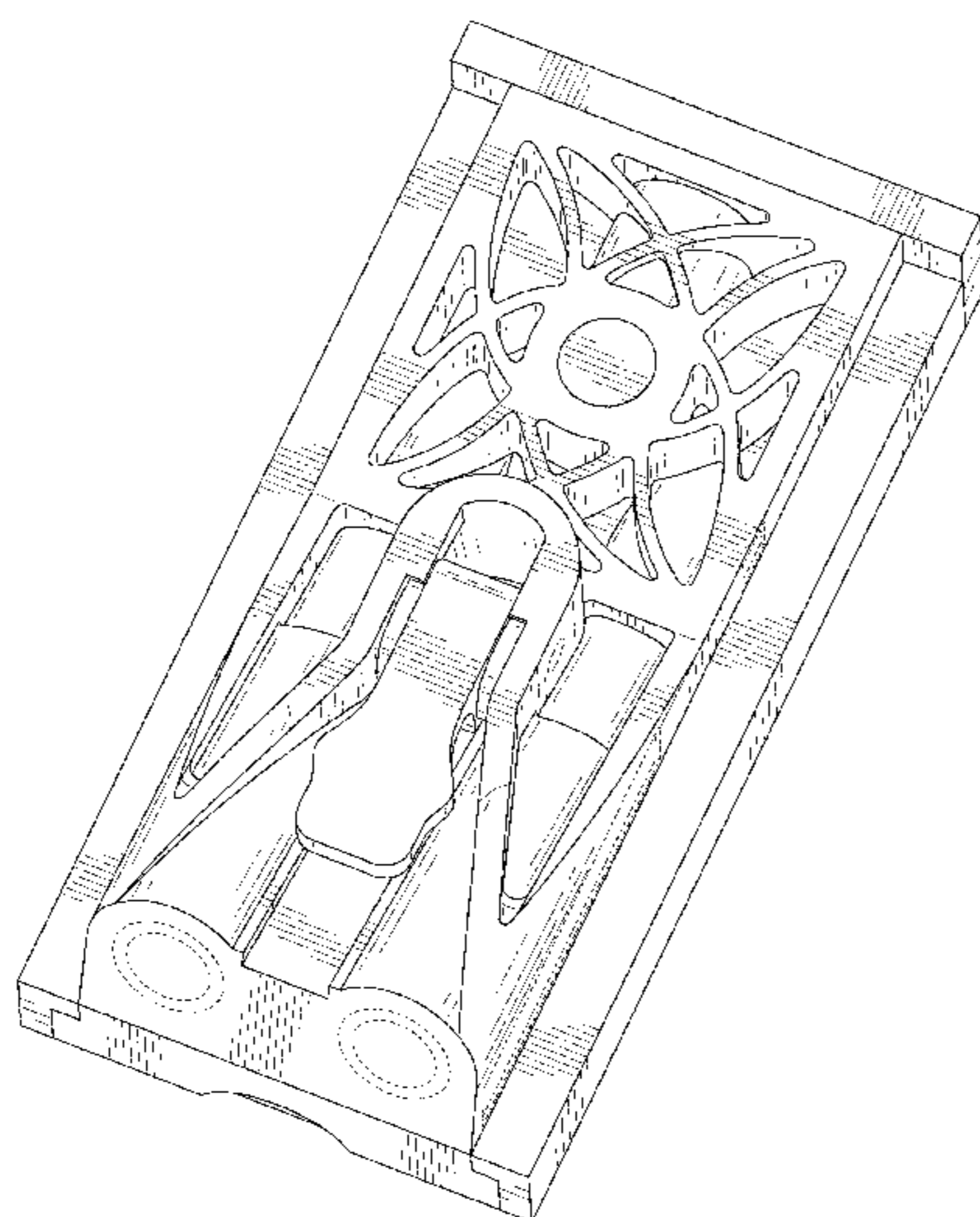
The broken lines in the drawings represent unclaimed environment and forms no part of the claimed design.

1 Claim, 9 Drawing Sheets

(56) **References Cited**

U.S. PATENT DOCUMENTS

- 4,955,766 A 9/1990 Sommerfeld
- D350,548 S 9/1994 Bosten et al.
- 5,375,636 A 12/1994 Bosten et al.
- 5,407,307 A 4/1995 Park
- 5,676,500 A 10/1997 Sommerfeld
- 5,791,835 A 8/1998 Chiang et al.
- 6,481,937 B1 11/2002 Sommerfeld et al.
- D481,402 S * 10/2003 Jenkins D15/140
- 6,637,988 B1 10/2003 Park
- 6,659,695 B2 12/2003 Park
- 6,726,411 B2 4/2004 Sommerfeld et al.



(56)

References Cited

U.S. PATENT DOCUMENTS

D567,269 S * 4/2008 Netzler D15/140
 7,374,373 B1 5/2008 Park
 7,484,914 B1 2/2009 Weinstein et al.
 D590,684 S * 4/2009 Budzik D15/138
 7,597,513 B2 10/2009 Chiang
 7,641,424 B1 1/2010 Sommerfeld et al.
 7,641,425 B2 1/2010 Sommerfeld et al.
 7,670,089 B2 3/2010 Chiang
 7,798,750 B2 * 9/2010 Clark B23B 47/287
 408/103
 7,811,033 B2 10/2010 Sommerfeld et al.
 D635,001 S * 3/2011 Adkins D8/71
 7,967,534 B2 6/2011 McDaniel et al.
 7,976,252 B2 7/2011 McDaniel et al.
 8,029,214 B2 10/2011 McDaniel et al.
 8,052,358 B2 11/2011 McDaniel et al.
 8,083,443 B1 12/2011 Circosta et al.
 D653,269 S * 1/2012 Fischer D15/139
 8,231,313 B2 7/2012 Sommerfeld et al.
 2005/0089381 A1 4/2005 Liu et al.
 2006/0206698 A1 9/2006 Foucher et al.
 2007/0280795 A1 * 12/2007 McDaniel B23B 47/287
 408/115 R
 2007/0280796 A1 * 12/2007 McDaniel B23B 47/287
 408/115 R
 2007/0280797 A1 * 12/2007 McDaniel B23B 47/287
 408/115 R
 2008/0099101 A1 5/2008 Chiang
 2008/0219786 A1 9/2008 Sommerfeld et al.
 2011/0164935 A1 7/2011 McDaniel et al.

2014/0341665 A1 11/2014 Clark
 2016/0046001 A1 2/2016 Clark et al.
 2017/0087644 A1 * 3/2017 Pelkey B23B 47/287

FOREIGN PATENT DOCUMENTS

CN 101152724 A 4/2008
 CN 101157224 A 4/2008
 EP 1595627 B1 4/2005
 EP 1712315 A1 10/2006
 EP 1311364 B1 12/2006
 EP 1862242 A2 12/2007
 EP 1862243 A2 12/2007
 EP 1862244 A2 12/2007
 EP 2174737 A1 4/2010
 EP 2179809 A1 4/2010
 EP 2179810 A1 4/2010
 EP 2223761 A1 9/2010
 EP 2223762 A1 9/2010
 WO WO 2014/186595 A1 11/2014
 WO WO 2016/025900 A1 2/2016

OTHER PUBLICATIONS

<http://www.milescraft.com/product/pocketjigkit200/>—Retrieved Jun. 5, 2017.*
 Kreg Jig Mini—Simple; Kreg Jig Mini; pages printed from the internet; date last visited Apr. 27, 2016; 6 pages; “<https://www.kregtool.com/store/>”
 Magnetic Pocket Hole Jig, User Manual, 1 page; known to applicant on or before May 31, 2016.

* cited by examiner

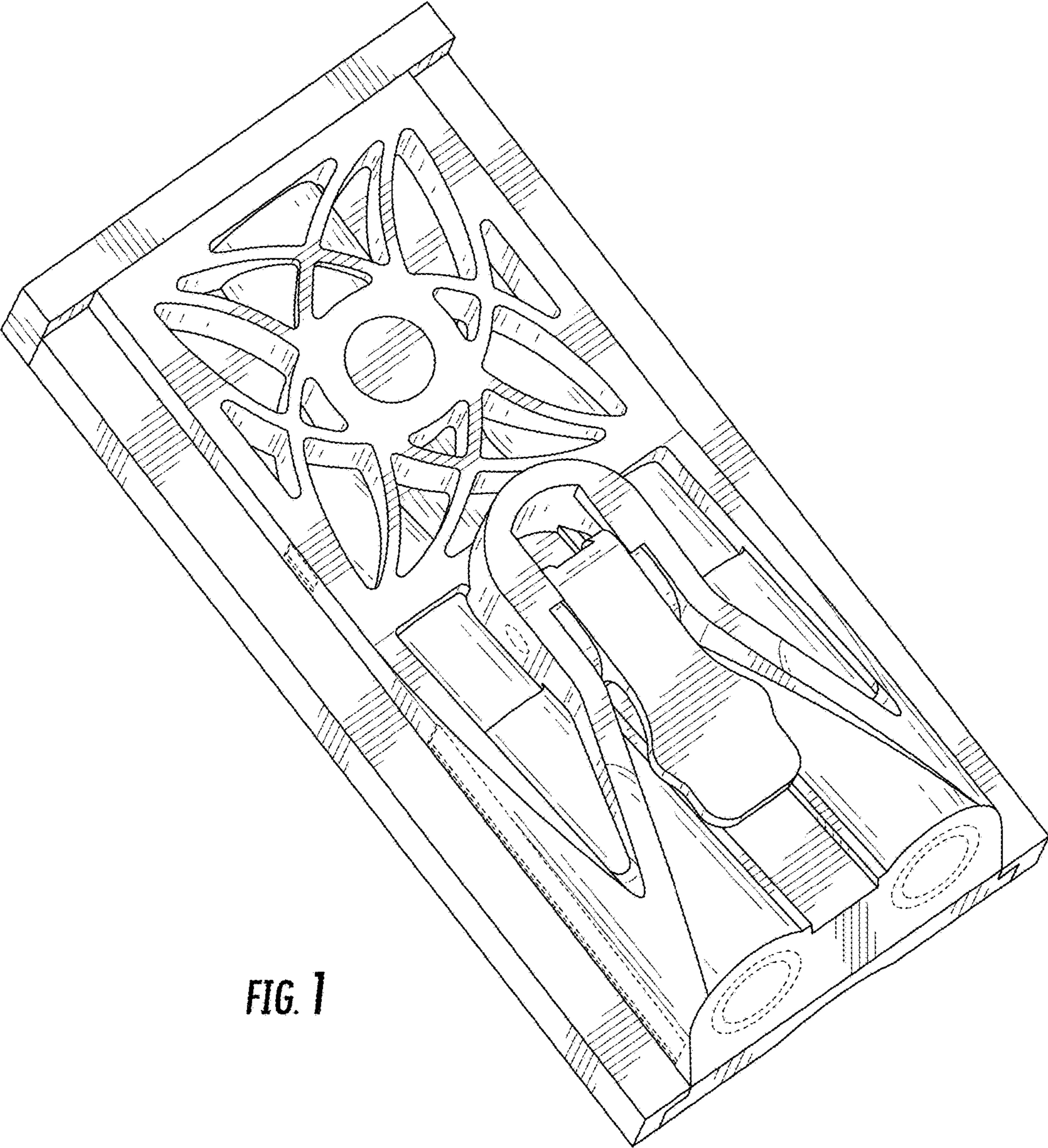


FIG. 1

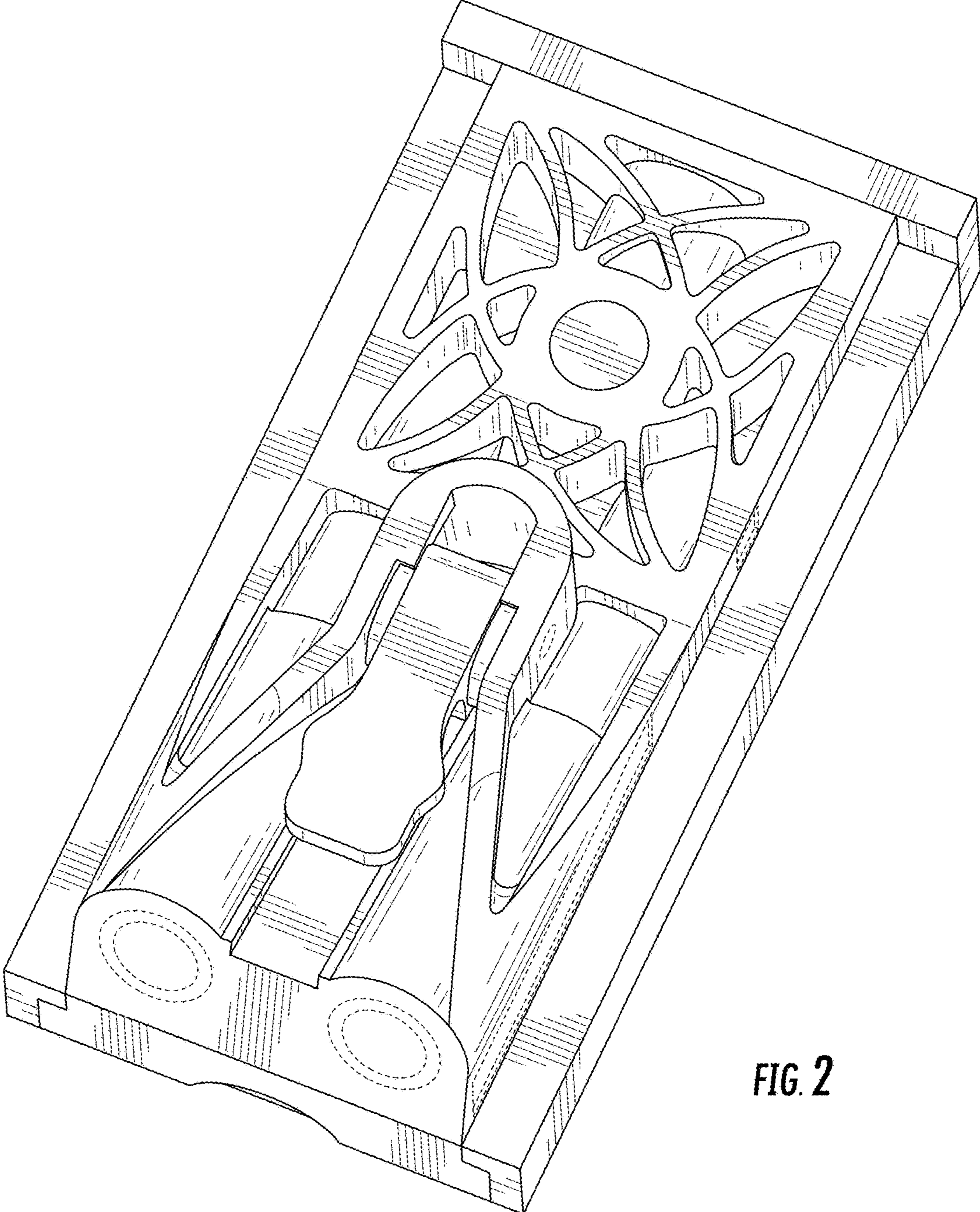


FIG. 2

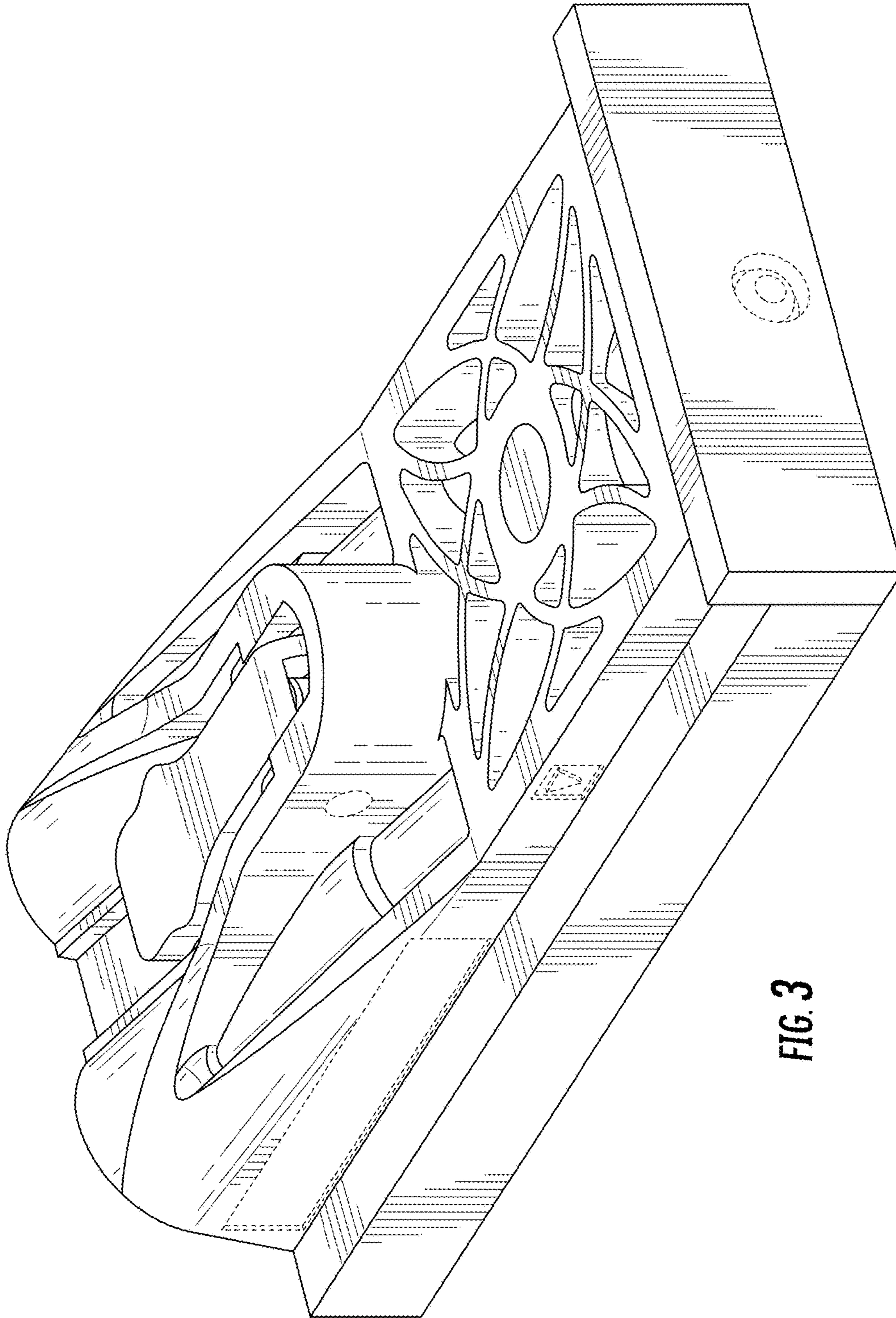


FIG. 3

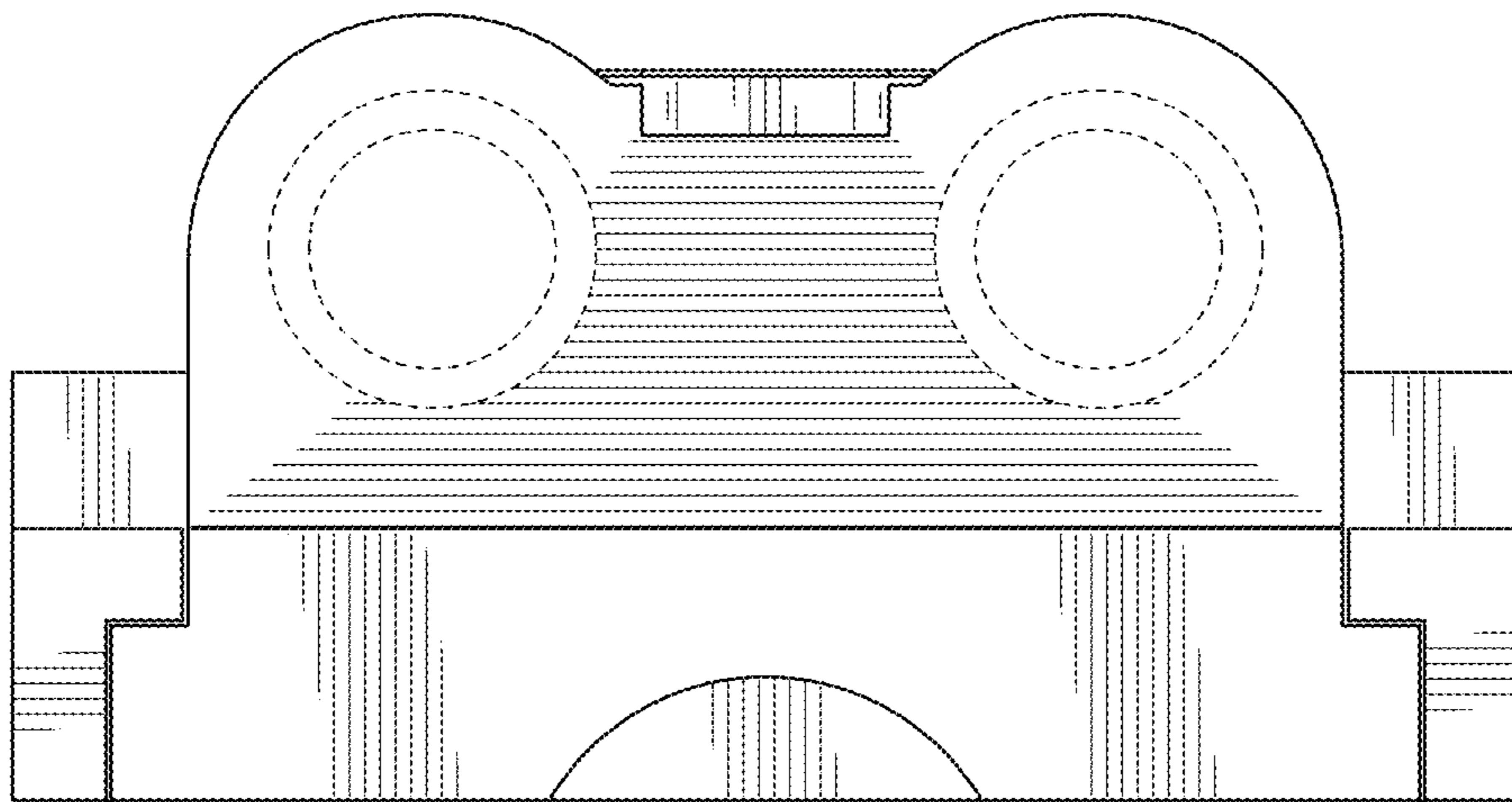


FIG. 4

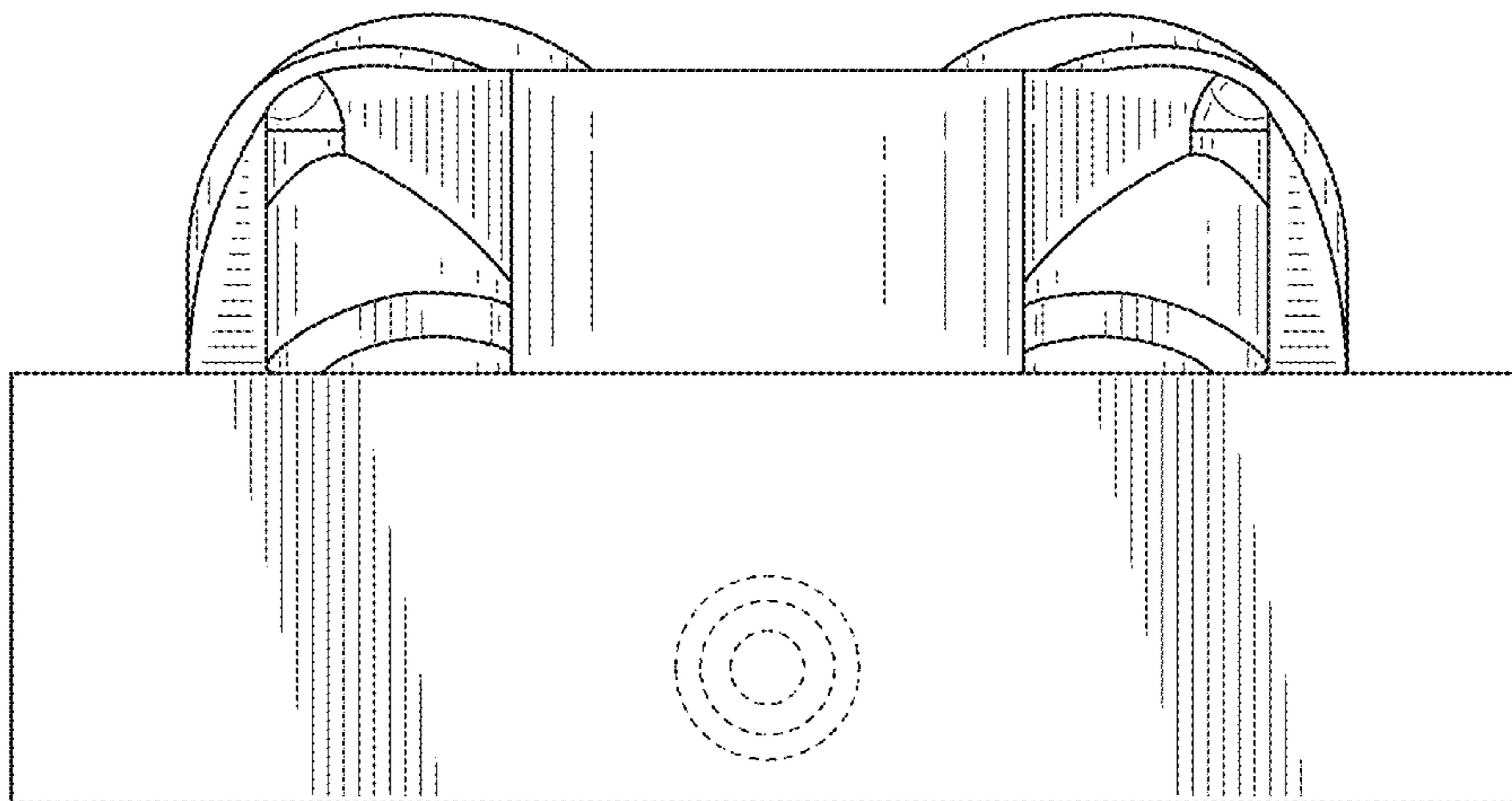


FIG. 5

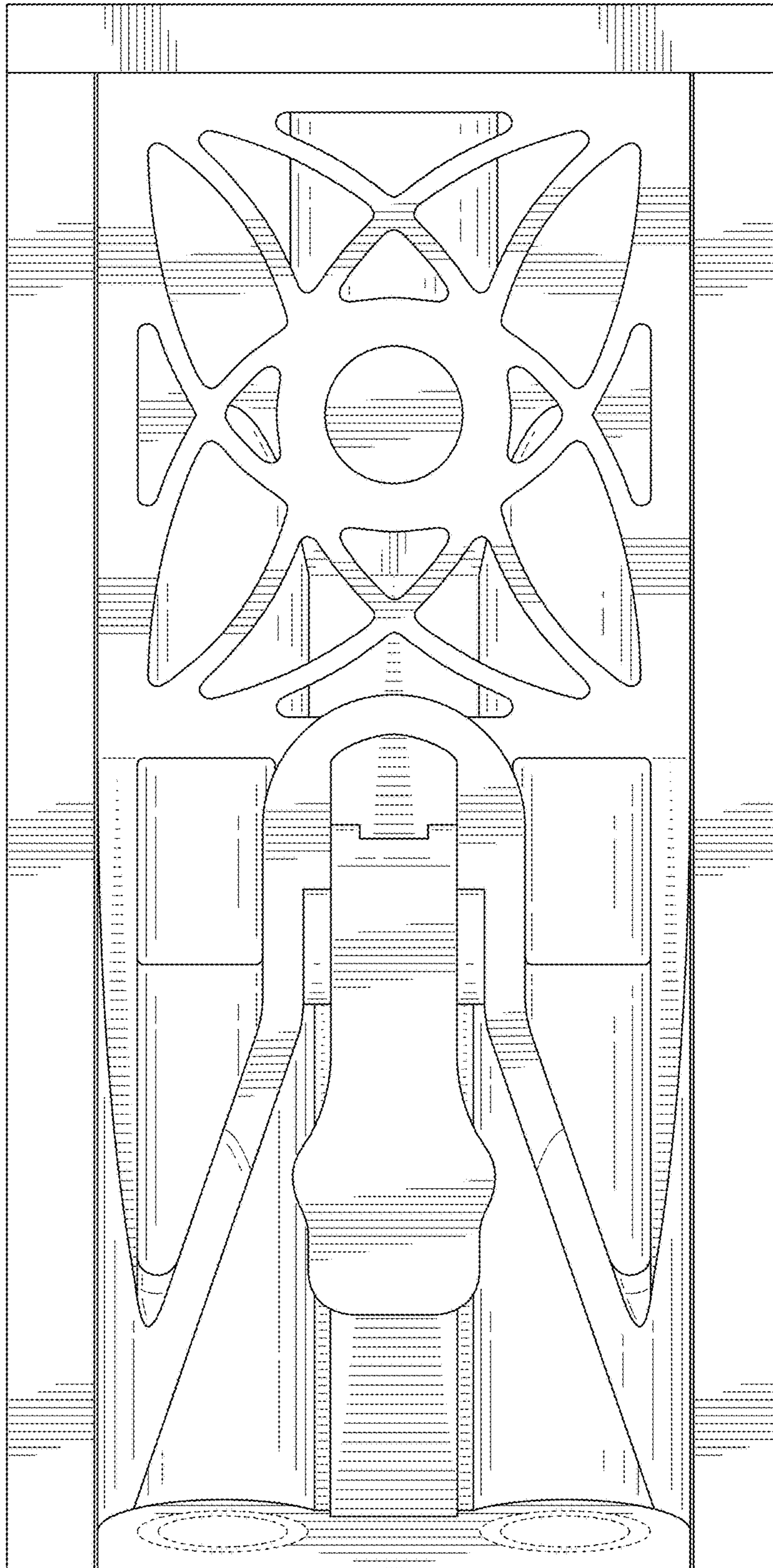


FIG. 6

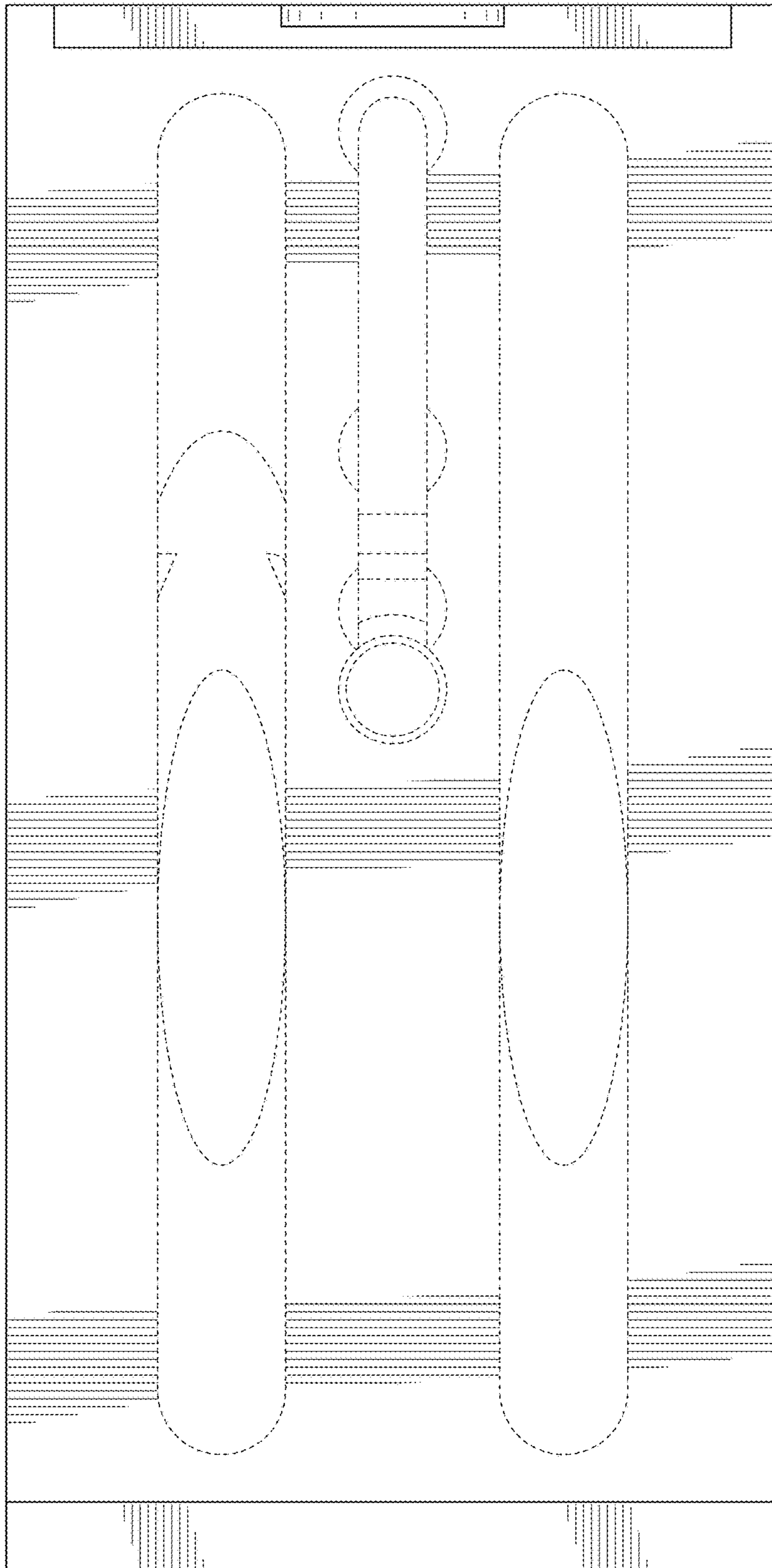


FIG. 7

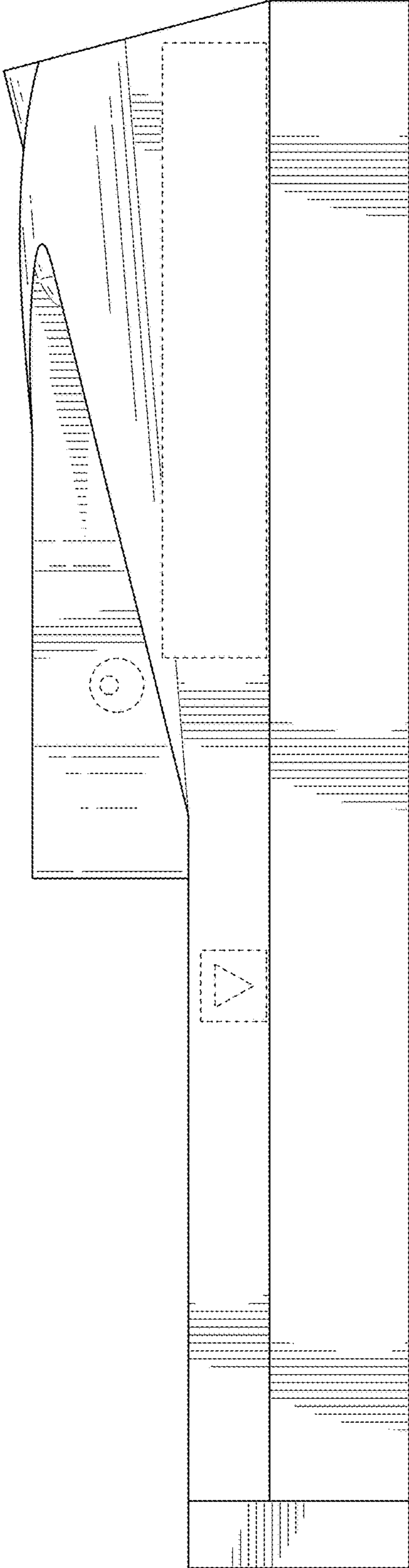


FIG. 8

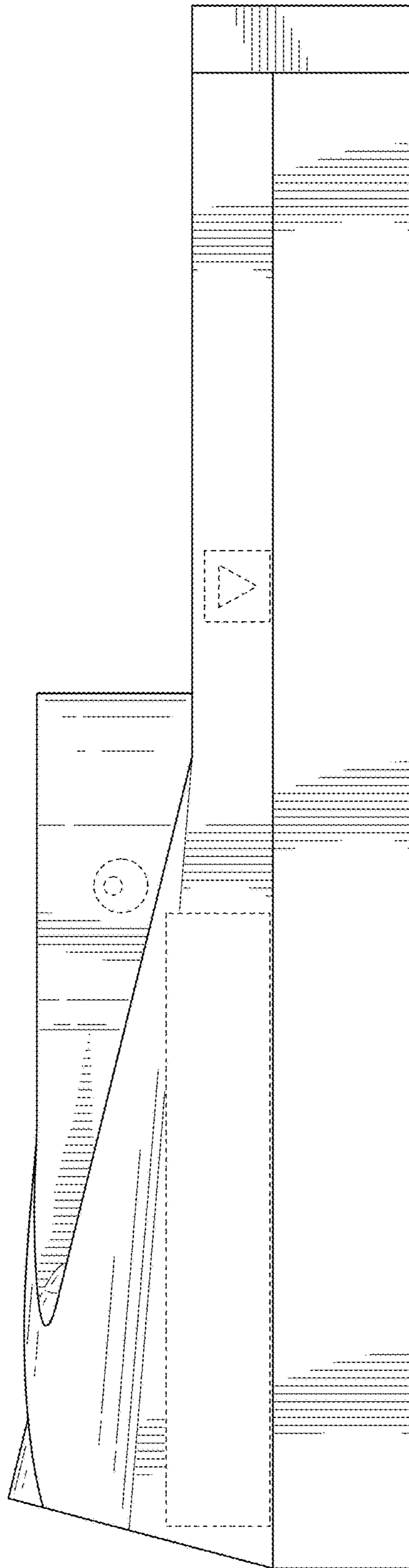


FIG. 9