



US00D809577S

(12) **United States Design Patent** (10) **Patent No.:** **US D809,577 S**  
**McDonald et al.** (45) **Date of Patent:** **\*\* Feb. 6, 2018**

(54) **AFTERTREATMENT SYSTEM HOUSING**  
(71) Applicant: **Cummins Emission Solutions Inc.**,  
Columbus, IN (US)  
(72) Inventors: **Carl A. McDonald**, Greenwood, IN  
(US); **Arvind V. Harinath**, Columbus,  
IN (US); **John G. Buechler**,  
Indianapolis, IN (US); **Ryan M.**  
**Johnson**, Cottage Grove, WI (US);  
**Randolph G. Zoran**, McFarland, WI  
(US)

D590,419 S 4/2009 Duffek et al.  
8,609,047 B2 12/2013 Dotzel et al.  
D702,735 S 4/2014 Sandou  
D757,919 S 5/2016 Kimura  
D794,100 S \* 8/2017 McDonald ..... D15/138  
2007/0039316 A1 2/2007 Bosanec et al.  
2008/0060351 A1 3/2008 Pawson et al.  
2009/0084094 A1 4/2009 Goss et al.  
2009/0136387 A1 5/2009 Picton et al.

(Continued)

**FOREIGN PATENT DOCUMENTS**

WO WO 2016/109320 7/2016  
WO WO 2016/109321 7/2016  
WO WO 2016/109323 7/2016

(73) Assignee: **CUMMINS EMISSION SOLUTIONS INC.**, Columbus, IN (US)

(\*\*) Term: **15 Years**

(21) Appl. No.: **29/600,848**

(22) Filed: **Apr. 17, 2017**

**Related U.S. Application Data**

(62) Division of application No. 29/540,794, filed on Sep. 28, 2015, now Pat. No. Des. 794,100.

(51) **LOC (11) Cl.** ..... **15-09**

(52) **U.S. Cl.**  
USPC ..... **D15/138; D23/265**

(58) **Field of Classification Search**  
USPC ..... D15/5, 138, 199; D23/265  
CPC ..... F01N 3/021; F01N 3/2006; F01N 3/2066;  
F01N 2550/02; F01N 2560/021; F01N  
2560/026; F01N 2610/00; Y02T 10/24;  
Y02T 10/26

See application file for complete search history.

(56) **References Cited**

**U.S. PATENT DOCUMENTS**

4,673,423 A 6/1987 Yumlu  
5,043,146 A 8/1991 Ishikawa et al.  
5,611,832 A 3/1997 Suzuki et al.

**OTHER PUBLICATIONS**

International Search Report and Written Opinion for PCT/US2015/067302, dated Mar. 11, 2016, 10 pages.

(Continued)

*Primary Examiner* — Patricia Palasik

(74) *Attorney, Agent, or Firm* — Foley & Lardner LLP

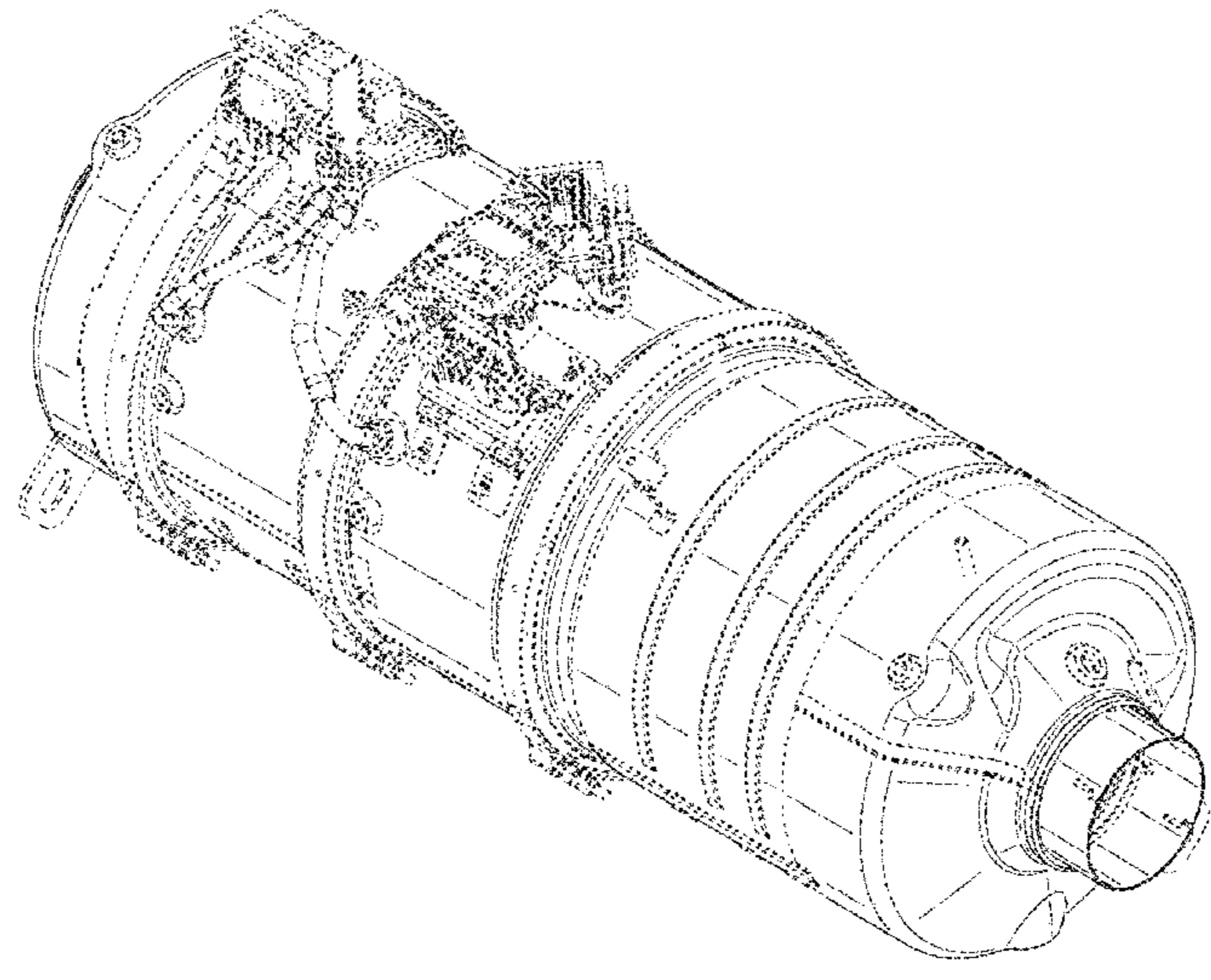
(57) **CLAIM**

We claim the ornamental design for an aftertreatment system housing, as shown and described.

**DESCRIPTION**

FIG. 1 is a top, front, left perspective view of the claimed design;  
FIG. 2 is a top plan view thereof;  
FIG. 3 is a bottom plan view thereof;  
FIG. 4 is a front elevation view thereof;  
FIG. 5 is a rear elevation view thereof;  
FIG. 6 is a left elevation view thereof; and,  
FIG. 7 is a right elevation view thereof.  
The broken lines in the drawings depict unclaimed environmental subject matter.

**1 Claim, 7 Drawing Sheets**



(56)

**References Cited**

U.S. PATENT DOCUMENTS

2010/0300082 A1 12/2010 Zhang  
2011/0047973 A1 3/2011 Wilhelm et al.  
2011/0052454 A1 3/2011 Kato  
2012/0004863 A1 1/2012 Ardanese et al.  
2012/0210697 A1 8/2012 Garimella et al.  
2013/0125524 A1 5/2013 Plummer et al.  
2013/0213008 A1 8/2013 Kumar et al.  
2014/0007562 A1 1/2014 Justin  
2014/0260202 A1 9/2014 Bays et al.  
2014/0262590 A1 9/2014 Daborn et al.  
2014/0363358 A1 12/2014 Udd et al.  
2014/0373721 A1 12/2014 Sandou et al.  
2015/0000389 A1 1/2015 Runde et al.  
2015/0224870 A1 8/2015 Shin et al.  
2016/0069239 A1 3/2016 Freeman et al.  
2016/0076430 A1 3/2016 Freeman et al.  
2016/0115847 A1 4/2016 Chapman et al.  
2016/0245207 A1 8/2016 Ball et al.  
2016/0326931 A1 11/2016 Freeman et al.  
2017/0036165 A1 2/2017 Schmid et al.  
2017/0043295 A1 2/2017 Minezawa et al.  
2017/0074146 A1 3/2017 Maletic et al.  
2017/0089248 A1 3/2017 Evans et al.

OTHER PUBLICATIONS

International Search Report and Written Opinion for PCT/US2015/  
067317, dated Apr. 22, 2016, 18 pages.

International Search Report and Written Opinion for PCT/US2015/  
067324, dated Feb. 23, 2016, 8 pages.

\* cited by examiner

FIG. 1

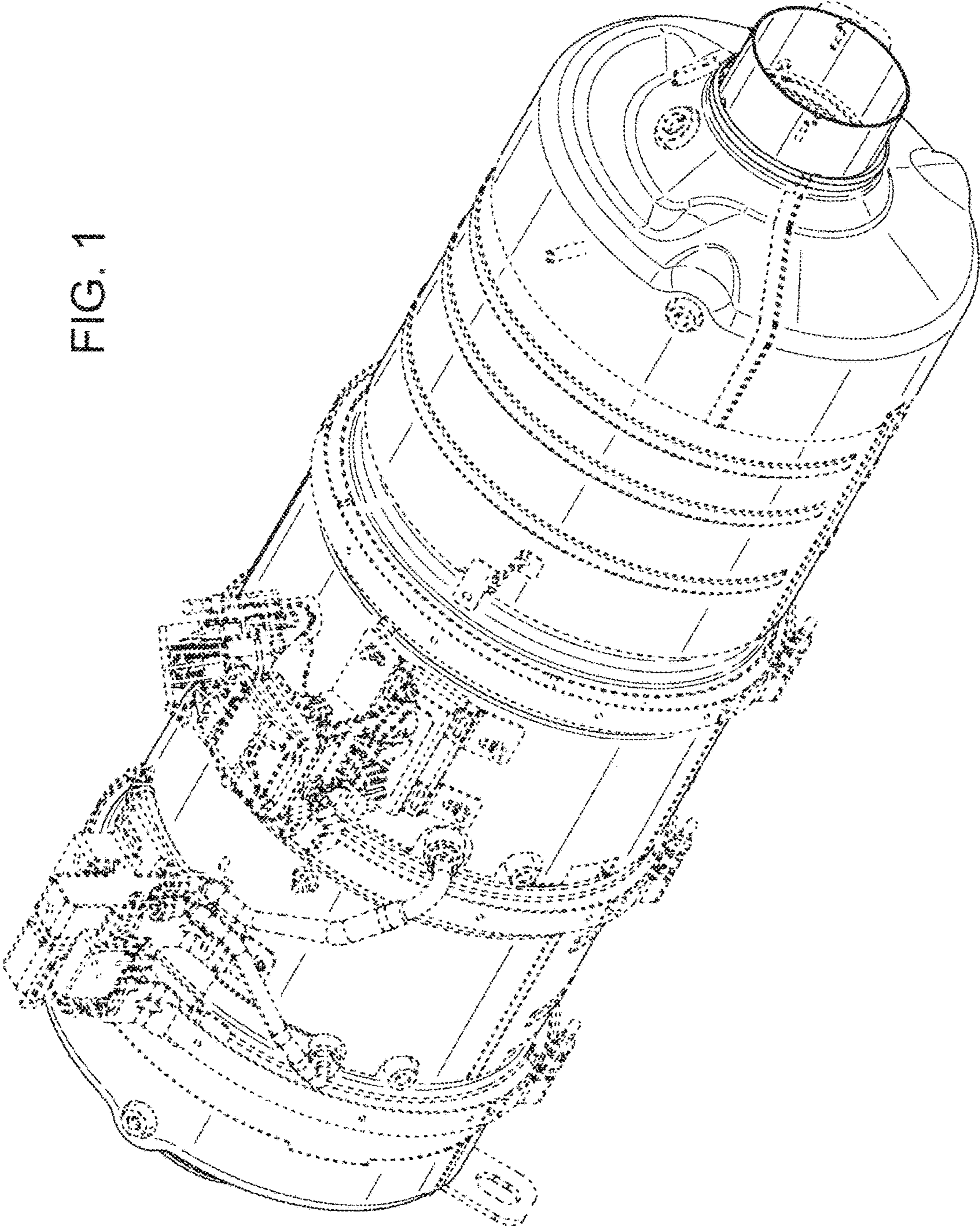


FIG. 2

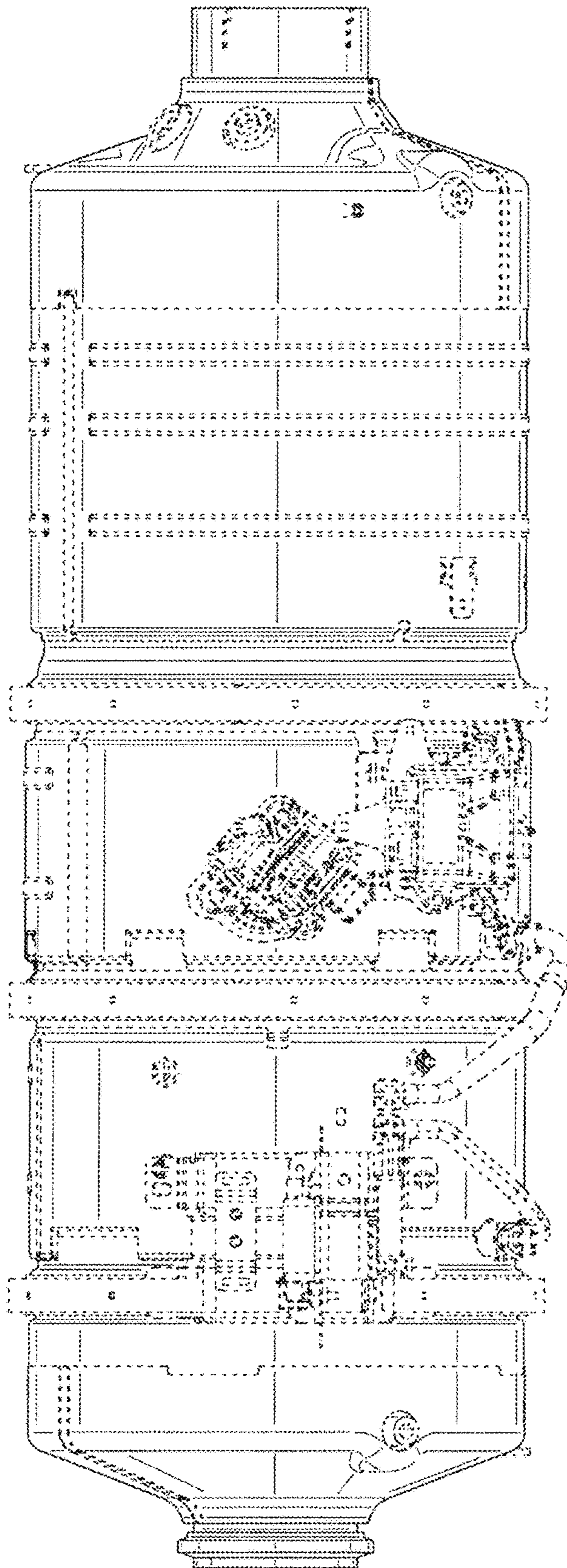


FIG. 3

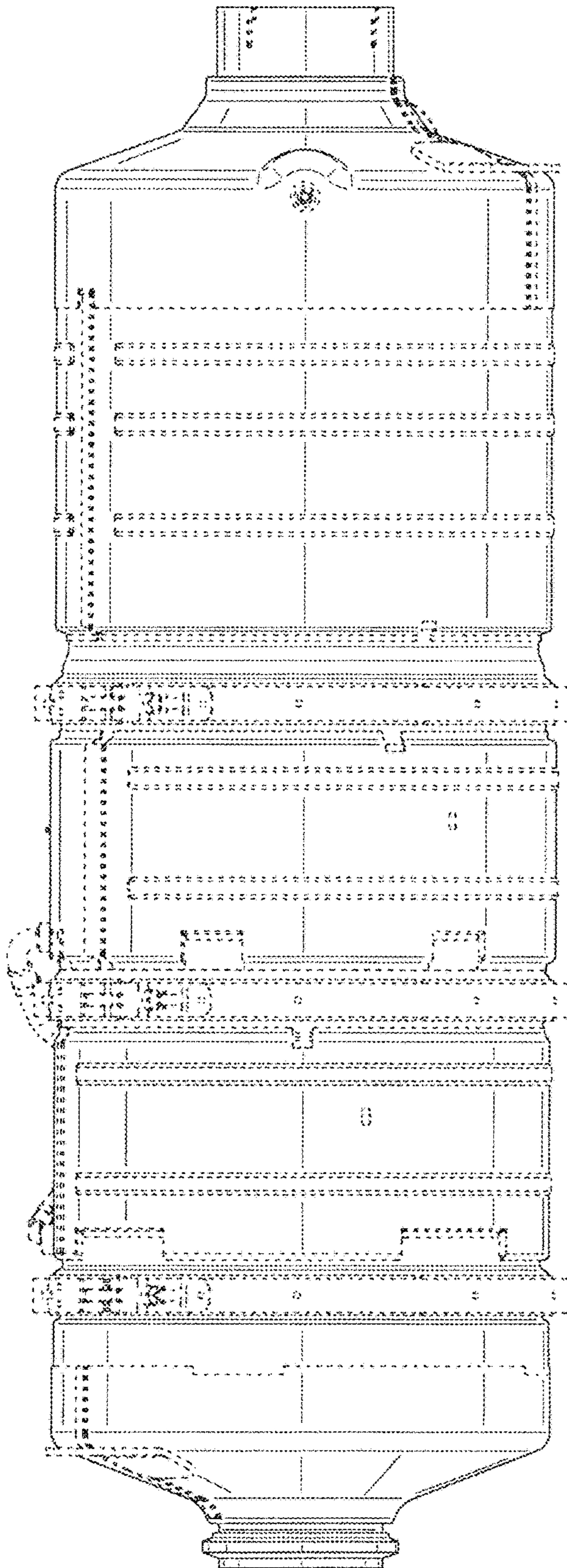


FIG. 4

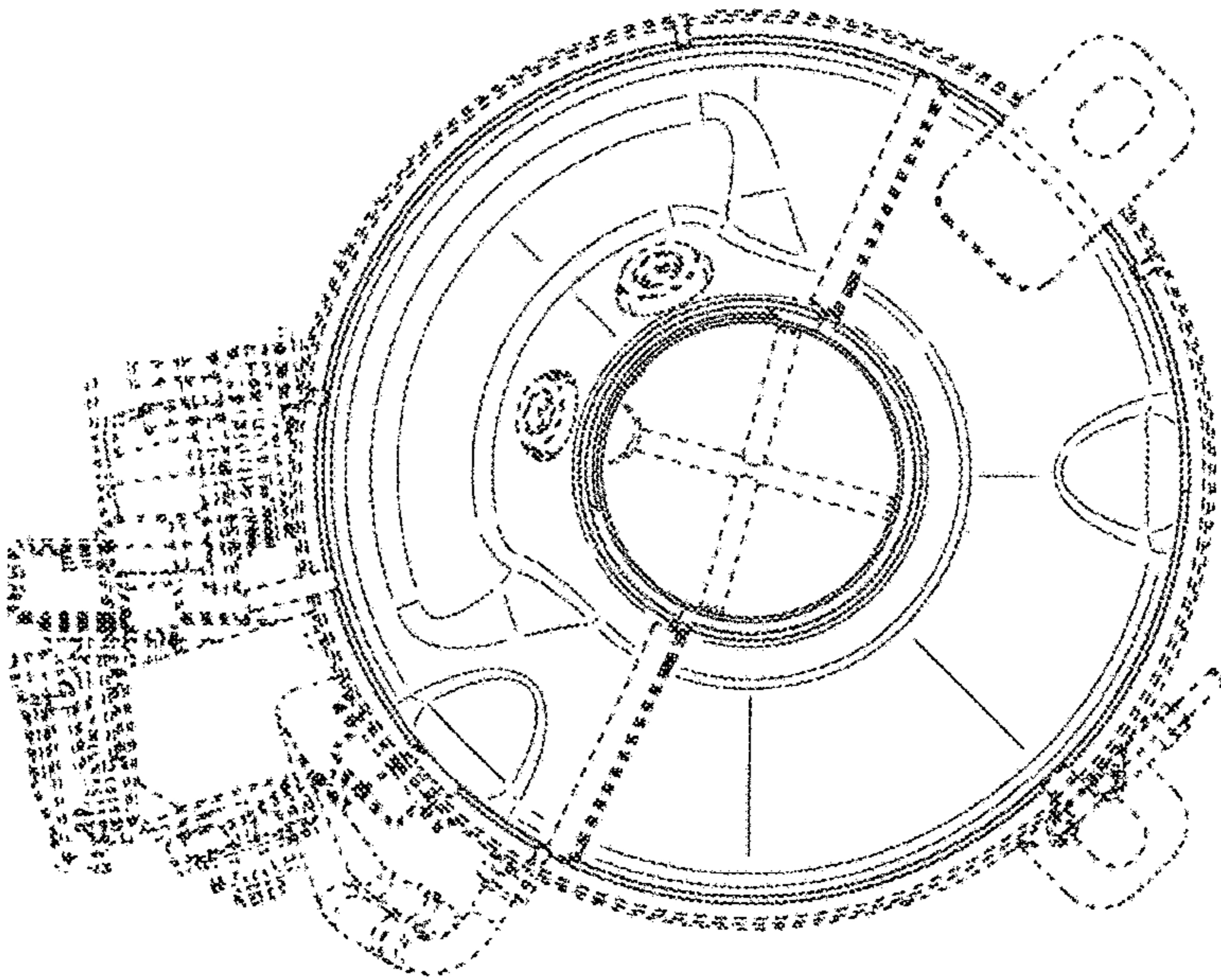


FIG. 5

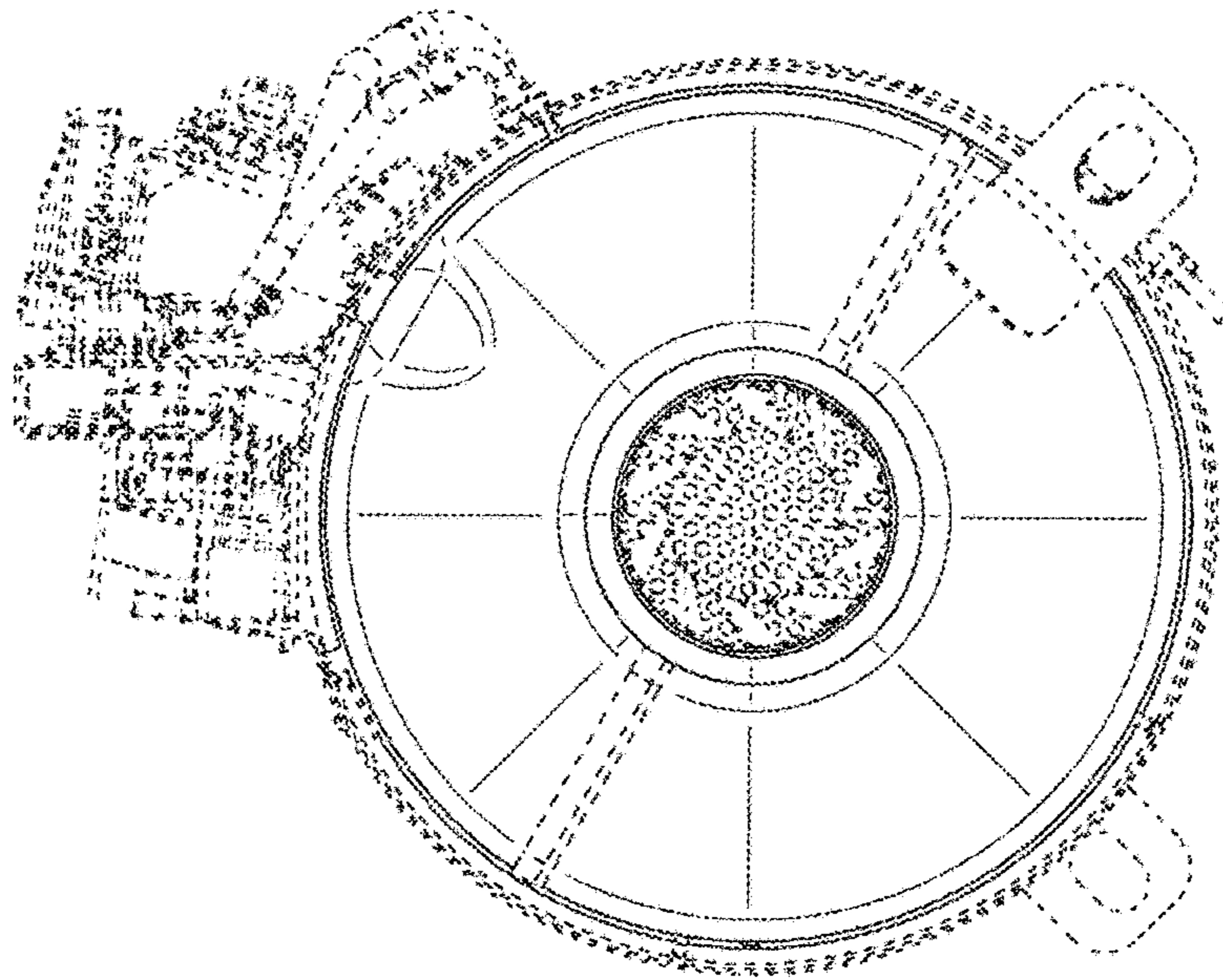


FIG. 6

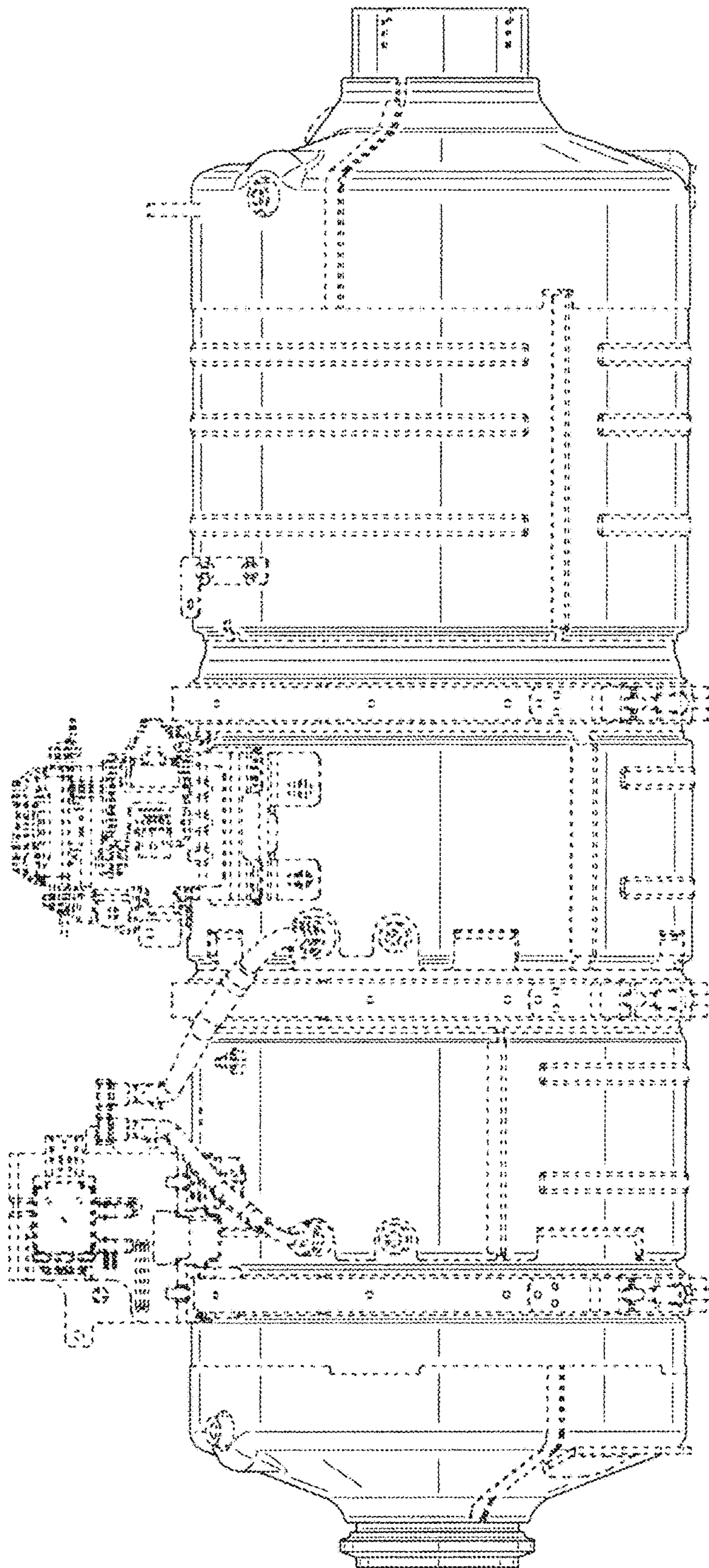




FIG. 7

