



US00D809576S

(12) **United States Design Patent** (10) **Patent No.:** **US D809,576 S**
DeLuccia, Jr. (45) **Date of Patent:** **** Feb. 6, 2018**

(54) **CARRIER LINK FOR LONGITUDINALLY COMPRESSED TABLET**

D390,855 S * 2/1998 Benson D15/143
D603,885 S * 11/2009 Ackley, Jr. D15/138
D656,972 S * 4/2012 Ackley D15/138
D713,866 S * 9/2014 Ackley D15/138
9,096,390 B2 8/2015 Ackley
D767,641 S * 9/2016 Knobloch D15/28

(71) Applicant: **Ackley Machine Corporation**,
Moorestown, NJ (US)

(72) Inventor: **Vincent M. DeLuccia, Jr.**, Riverside,
NJ (US)

(73) Assignee: **Ackley Machine Corporation**,
Moorestown, NJ (US)

(**) Term: **15 Years**

(21) Appl. No.: **29/570,467**

(22) Filed: **Jul. 8, 2016**

(51) **LOC (11) Cl.** **15-03**

(52) **U.S. Cl.**
USPC **D15/138**

(58) **Field of Classification Search**
USPC D15/122-143
CPC B62D 55/211; B62D 55/213; B62D 55/2128;
B62D 55/205; B62D 55/26; B62D 55/32;
F16G 13/00; F16G 13/02; F16G 13/06;
F16G 13/08
See application file for complete search history.

(56) **References Cited**

U.S. PATENT DOCUMENTS

3,884,143 A * 5/1975 Ackley B41F 17/36
101/35
4,632,028 A 12/1986 Ackley

FOREIGN PATENT DOCUMENTS

CA 1298231 C 3/1992

* cited by examiner

Primary Examiner — Ian Simmons

Assistant Examiner — Khawaja Anwar

(74) *Attorney, Agent, or Firm* — Nixon & Vanderhye P.C.

(57) **CLAIM**

The ornamental design for a carrier link for longitudinally compressed tablet, as shown.

DESCRIPTION

FIG. 1 is a perspective view of a carrier link for longitudinally compressed tablet, showing my new ornamental design;

FIG. 2 is a front view thereof;

FIG. 3 is a rear view thereof;

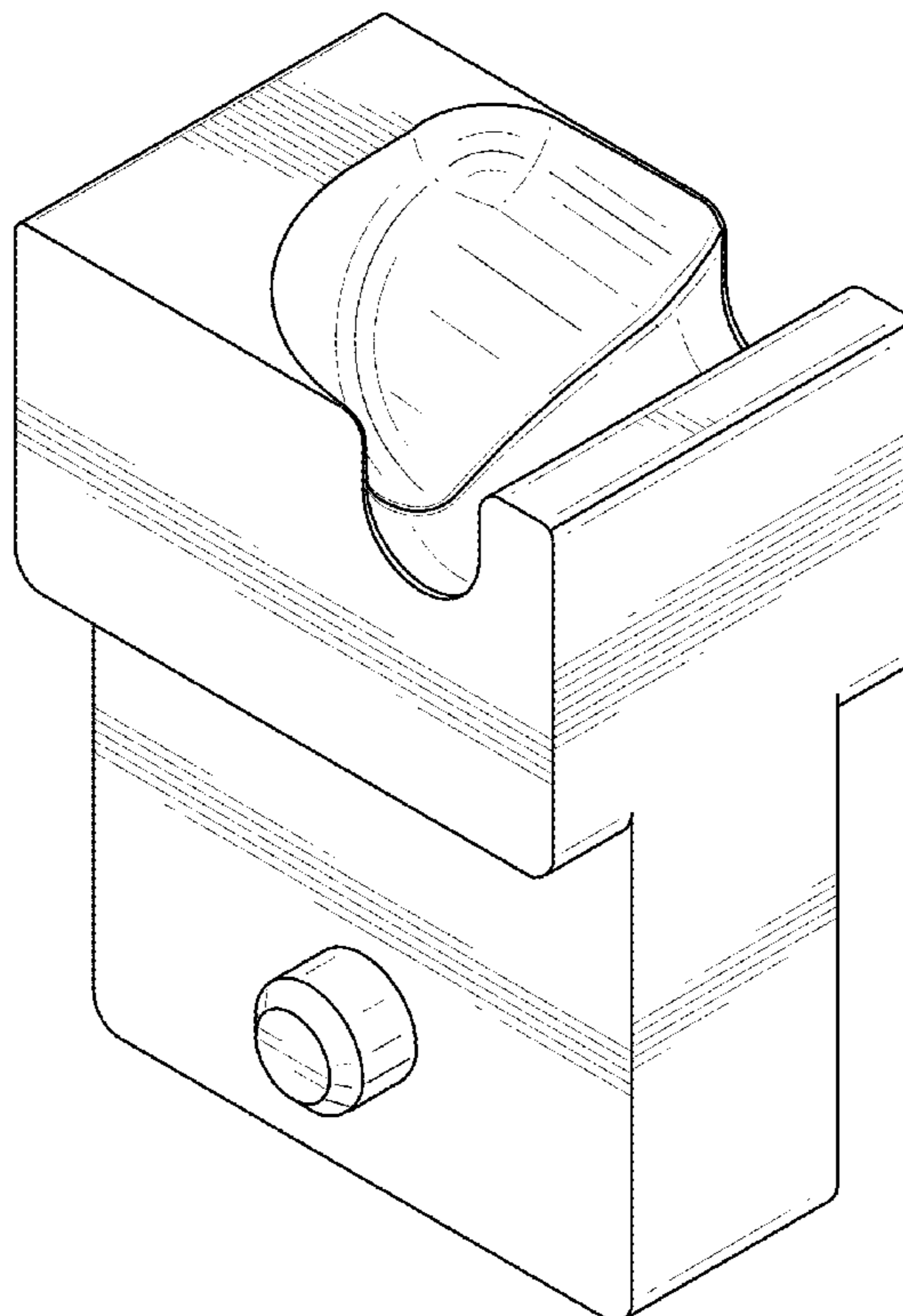
FIG. 4 is a top view thereof;

FIG. 5 is a bottom view thereof;

FIG. 6 is a left side view; and,

FIG. 7 is a right side view thereof.

1 Claim, 5 Drawing Sheets



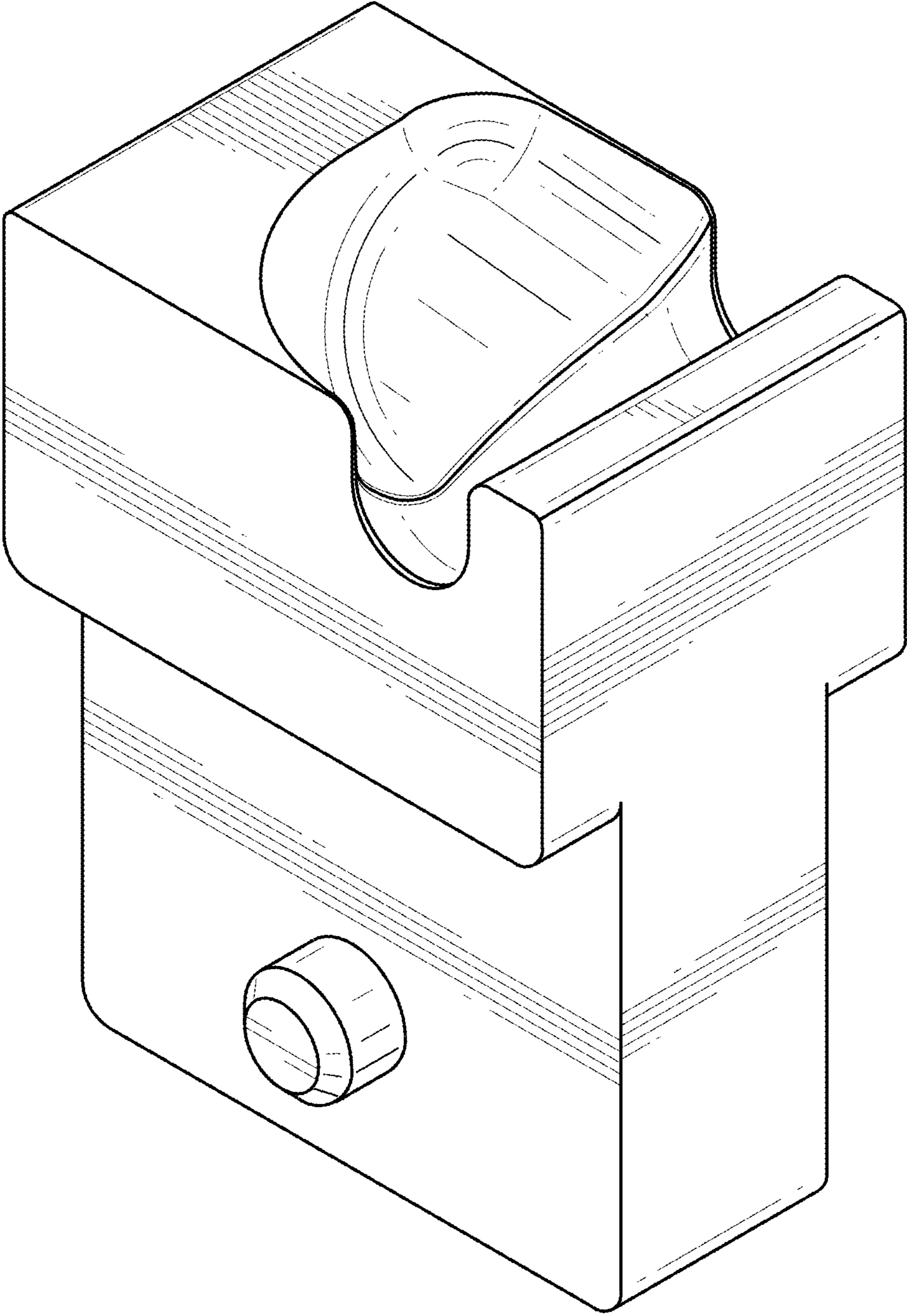


Fig. 1

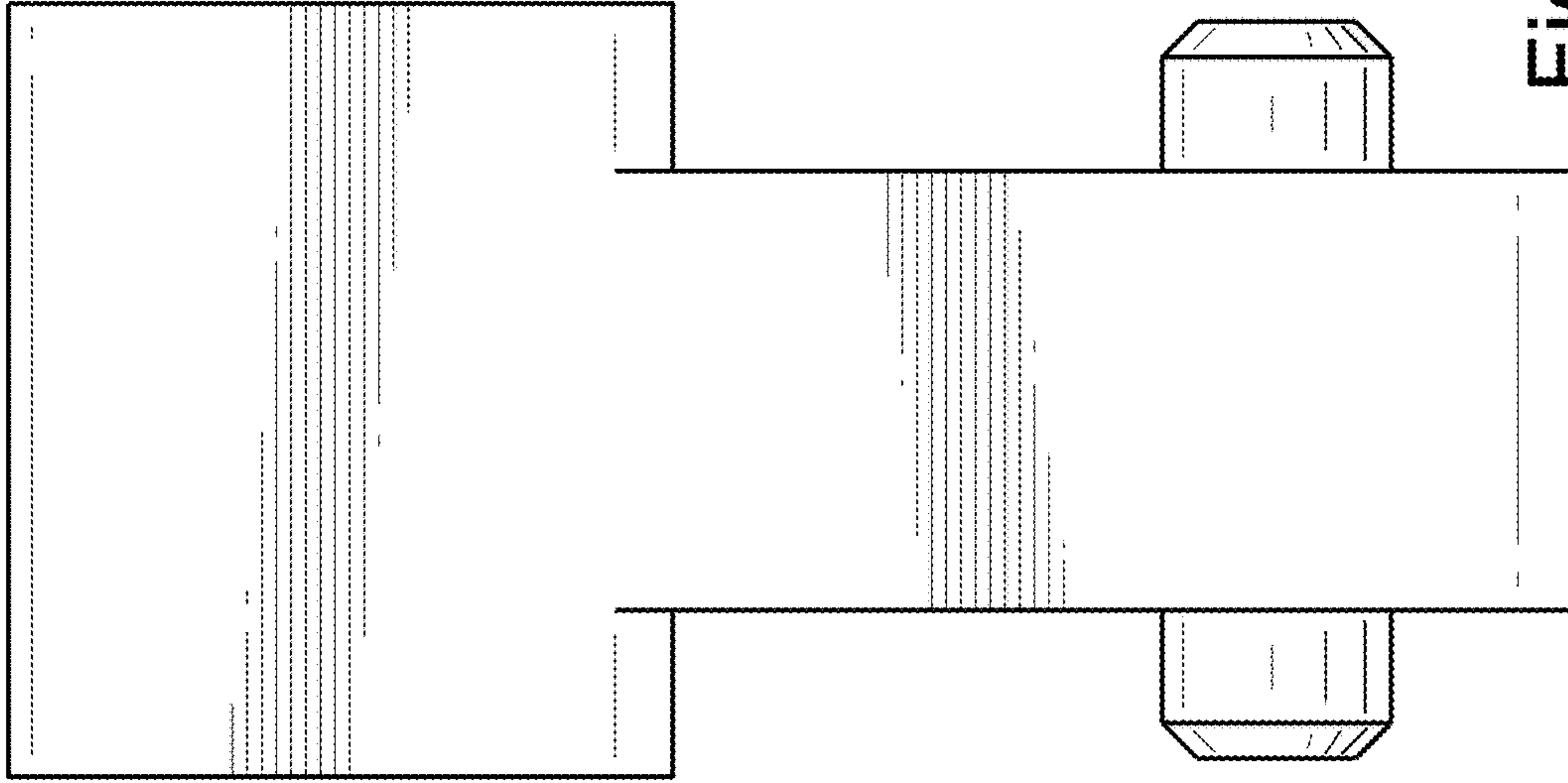


Fig. 3

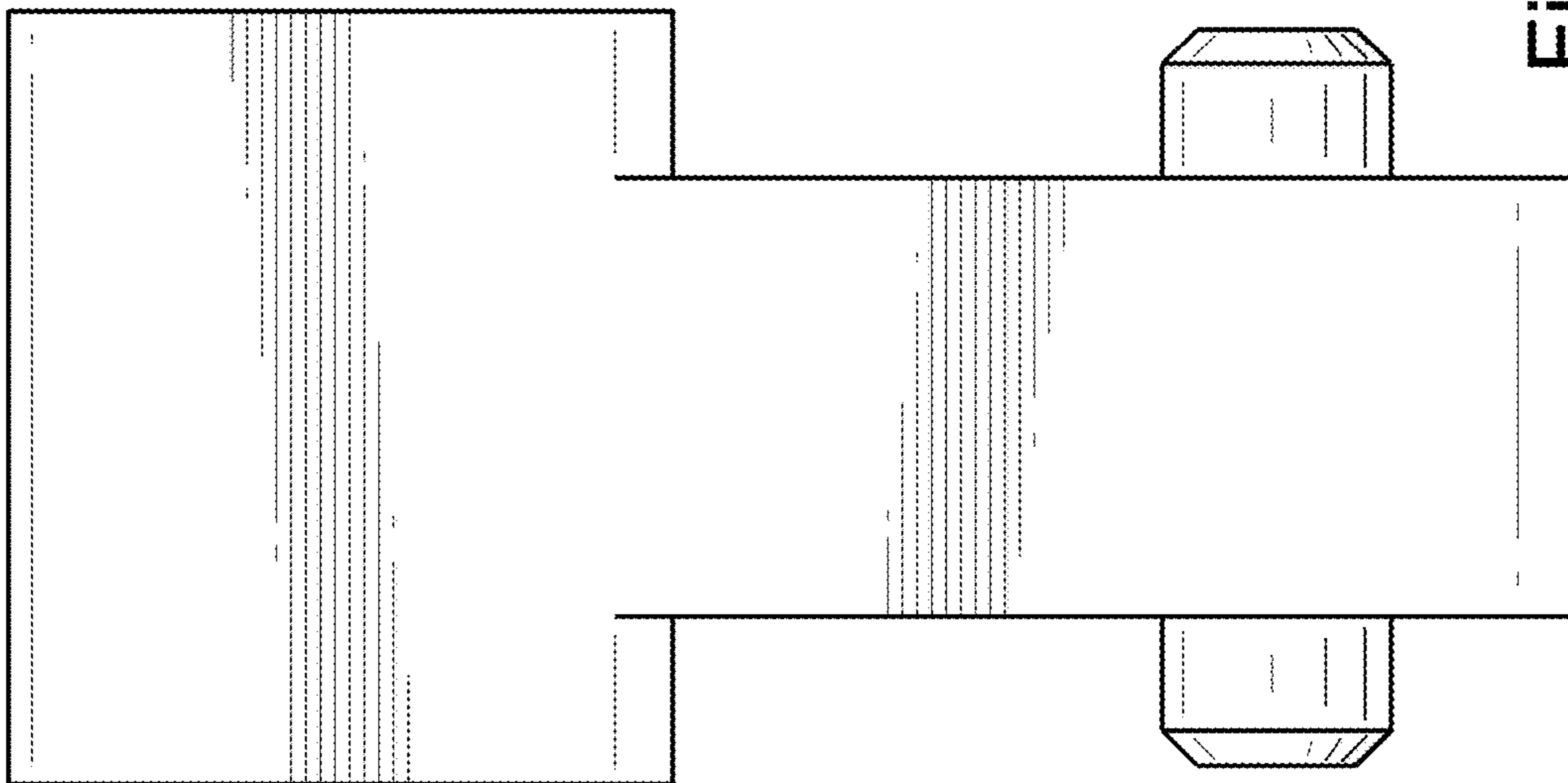


Fig. 2

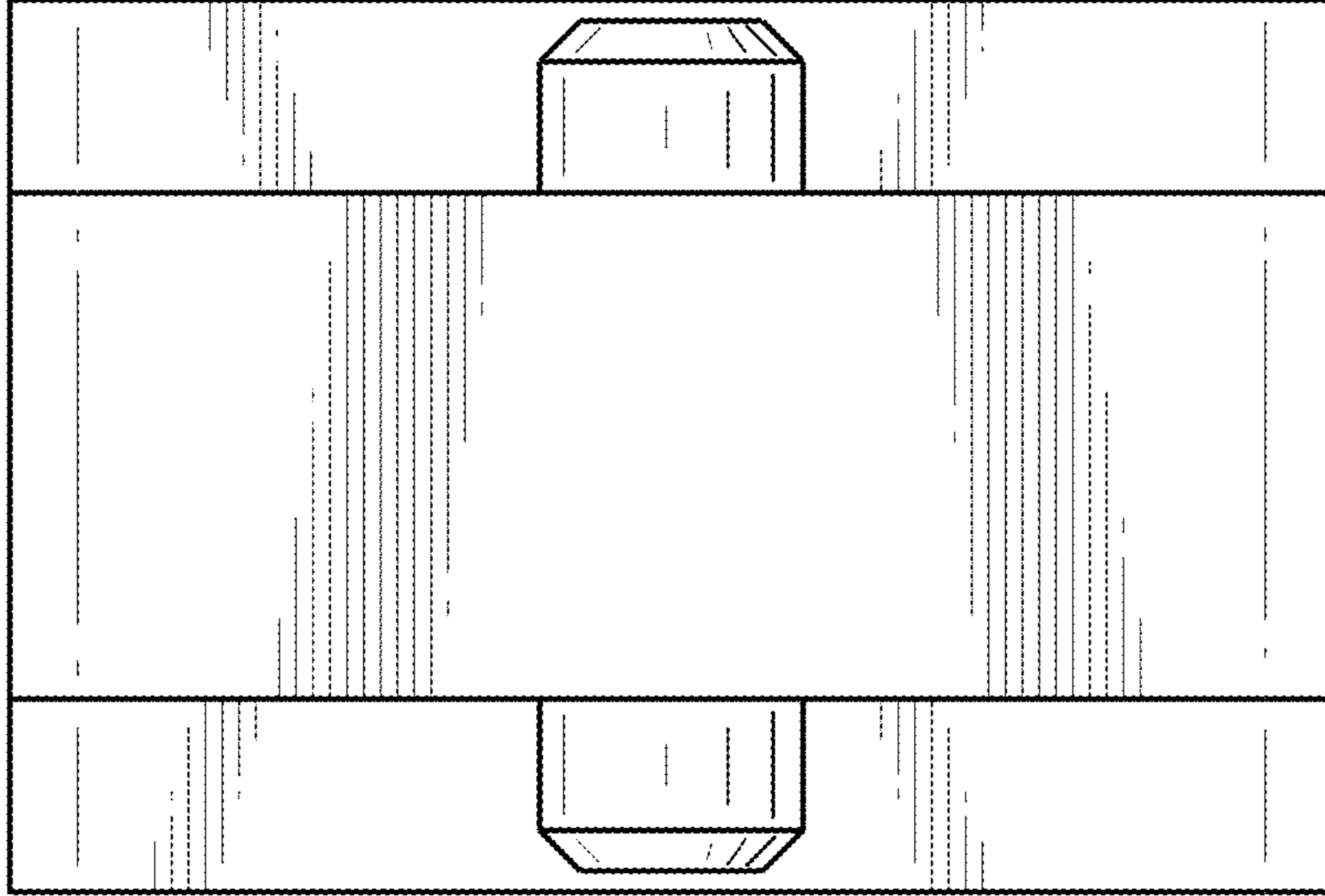


Fig. 5

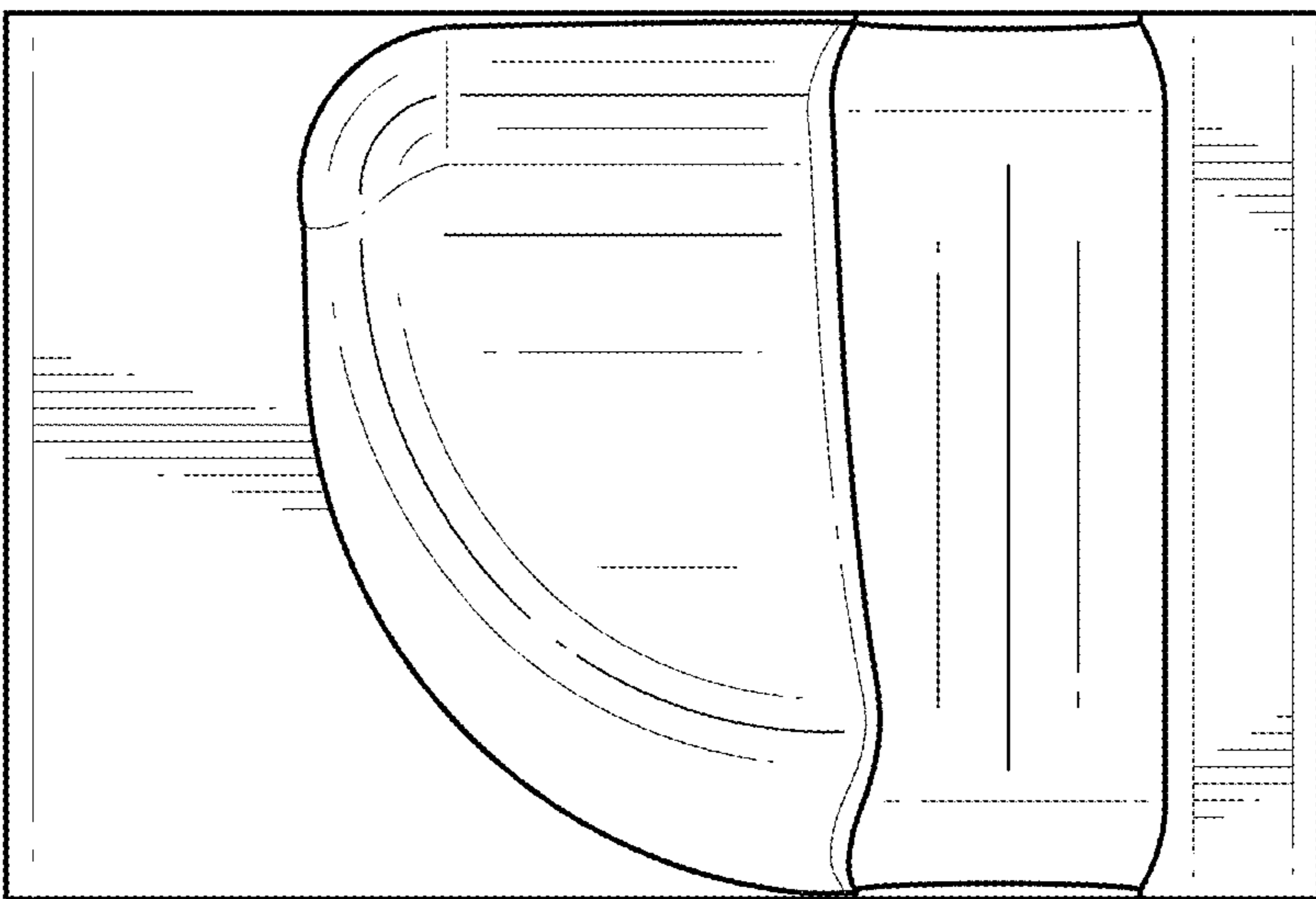


Fig. 4

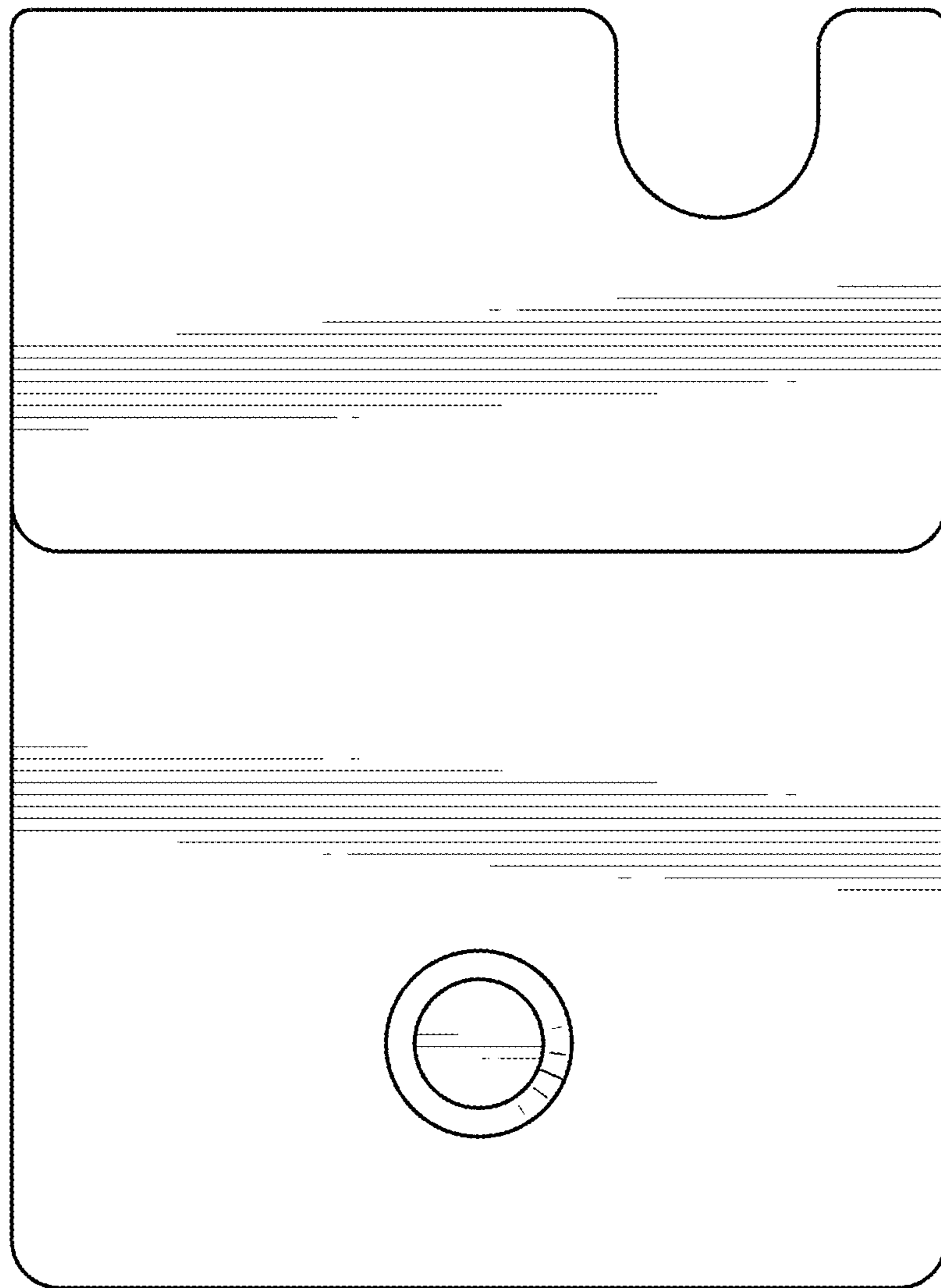


Fig. 6

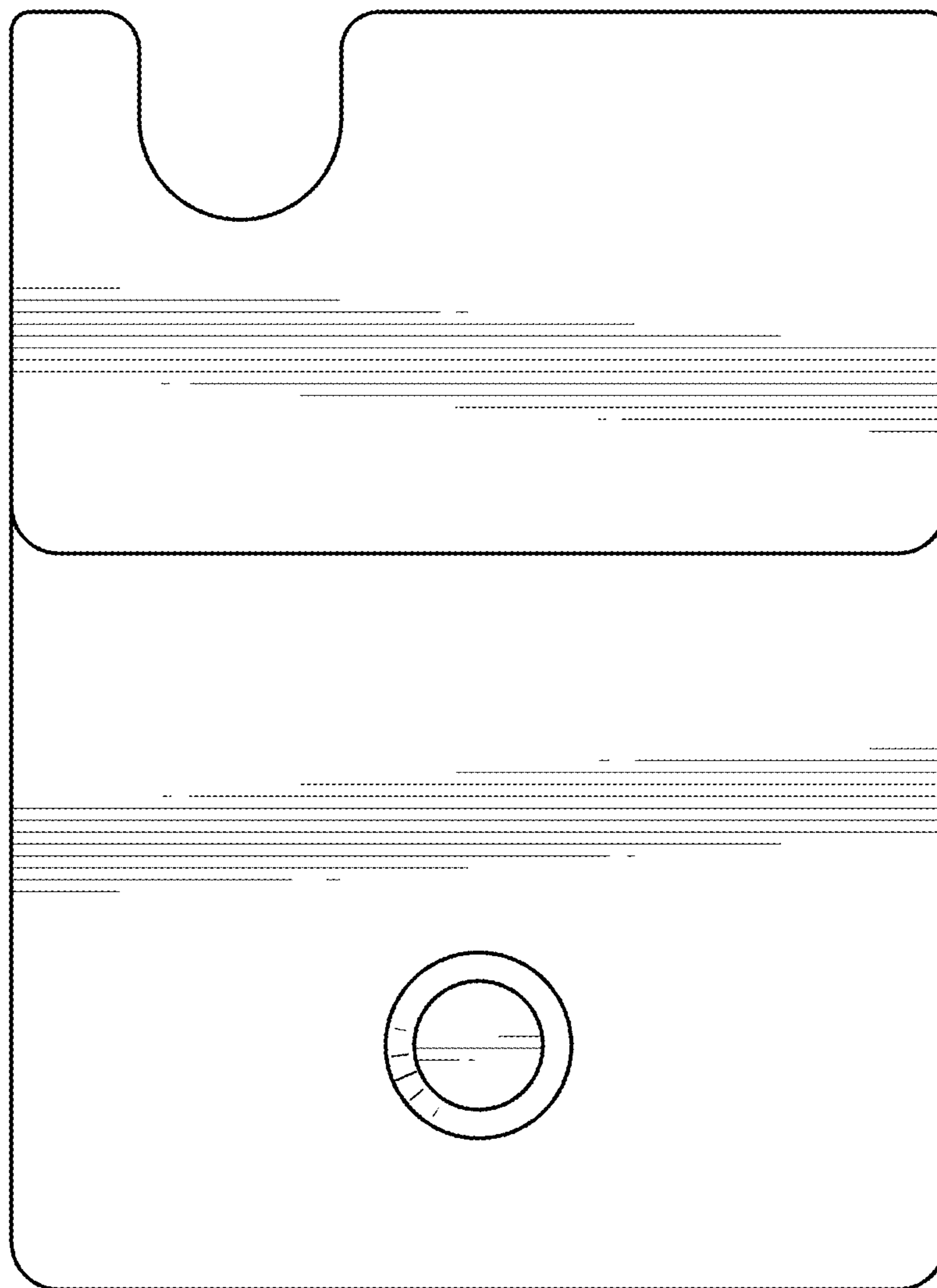


Fig. 7