



US00D809575S

(12) **United States Design Patent**
Ishizaki et al.

(10) **Patent No.:** **US D809,575 S**
(45) **Date of Patent:** **** Feb. 6, 2018**

(54) **INGOT MOLD**
(71) Applicant: **IHI CORPORATION**, Koto-ku (JP)
(72) Inventors: **Masato Ishizaki**, Koto-ku (JP);
Tsutomu Murakami, Koto-ku (JP);
Akira Kobiki, Koto-ku (JP)
(73) Assignee: **IHI CORPORATION**, Koto-ku (JP)
(**) Term: **15 Years**
(21) Appl. No.: **35/500,765**
(22) Filed: **Oct. 1, 2015**
(80) **Hague Agreement Data**
Int. Filing Date: **Oct. 1, 2015**
Int. Reg. No.: **DM/087878**
Int. Reg. Date: **Oct. 1, 2015**
Int. Reg. Pub. Date: **Apr. 1, 2016**

(30) **Foreign Application Priority Data**
Apr. 3, 2015 (JP) 2015-007601
Apr. 3, 2015 (JP) 2015-007602
Apr. 3, 2015 (JP) 2015-007603
Apr. 3, 2015 (JP) 2015-007604

(51) **LOC (11) Cl.** **15-09**
(52) **U.S. Cl.**
USPC **D15/136**
CPC **B22C 1/00** (2013.01)

(58) **Field of Classification Search**
USPC D15/135, 136; D7/354-357, 368-369,
D7/410, 672-677; 249/117-120, DIG. 1;
425/318, 503, 298-300; 426/104; 427/7;
99/375-383
CPC B22D 13/101; B22C 1/00; B22C 7/02;
B22C 9/00; B22C 9/04
See application file for complete search history.

(56) **References Cited**
U.S. PATENT DOCUMENTS
3,778,018 A * 12/1973 Abalo A23G 1/208
249/119
D271,878 S * 12/1983 Farhi D15/136

D291,700 S * 9/1987 Farhi D15/136
D291,701 S * 9/1987 Farhi D15/136
D315,849 S * 4/1991 Brunner D7/672
D342,267 S * 12/1993 Scholtz D15/136
D356,513 S * 3/1995 Burkholder, II D10/62
5,443,856 A * 8/1995 Akutagawa A23G 3/0273
249/127
D377,181 S * 1/1997 Hupp D15/136
D448,249 S * 9/2001 Decastro D7/605
D552,434 S * 10/2007 Laib D7/677
7,752,758 B2 * 7/2010 Gelardi B65D 83/0463
206/528
D621,858 S * 8/2010 Berger D15/136
D661,541 S * 6/2012 Braden D7/354
D667,681 S * 9/2012 Carsten D7/354
D672,212 S * 12/2012 Augis D7/672
D673,432 S * 1/2013 Augis D7/672

(Continued)

Primary Examiner — Richard E Chilcot
(74) *Attorney, Agent, or Firm* — Oblon, McClelland,
Maier & Neustadt, L.L.P.

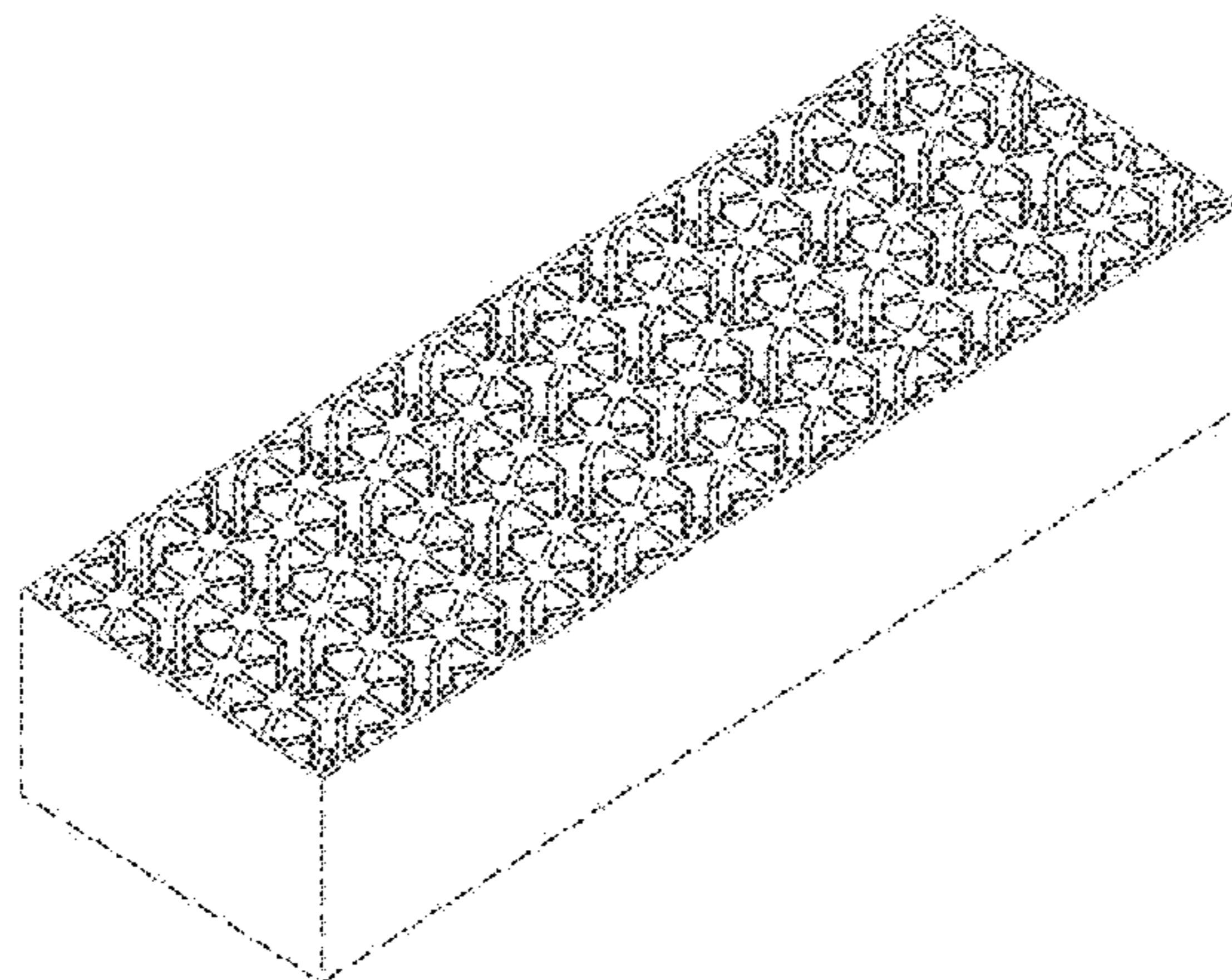
(57) **CLAIM**

The ornamental design for a ingot mold, as shown and described.

DESCRIPTION

1. Ingot molds
1.1 is a bottom, front, and right side perspective view of an ingot mold;
1.2 is a front elevational view thereof;
1.3 is a rear elevational view thereof;
1.4 is a top plan view thereof;
1.5 is a bottom plan view thereof;
1.6 is a left side elevational view thereof; and
1.7 is a right side elevational view thereof.
The broken lines are for illustrative purpose only and form no part of the claimed designs.

1 Claim, 7 Drawing Sheets



(56)

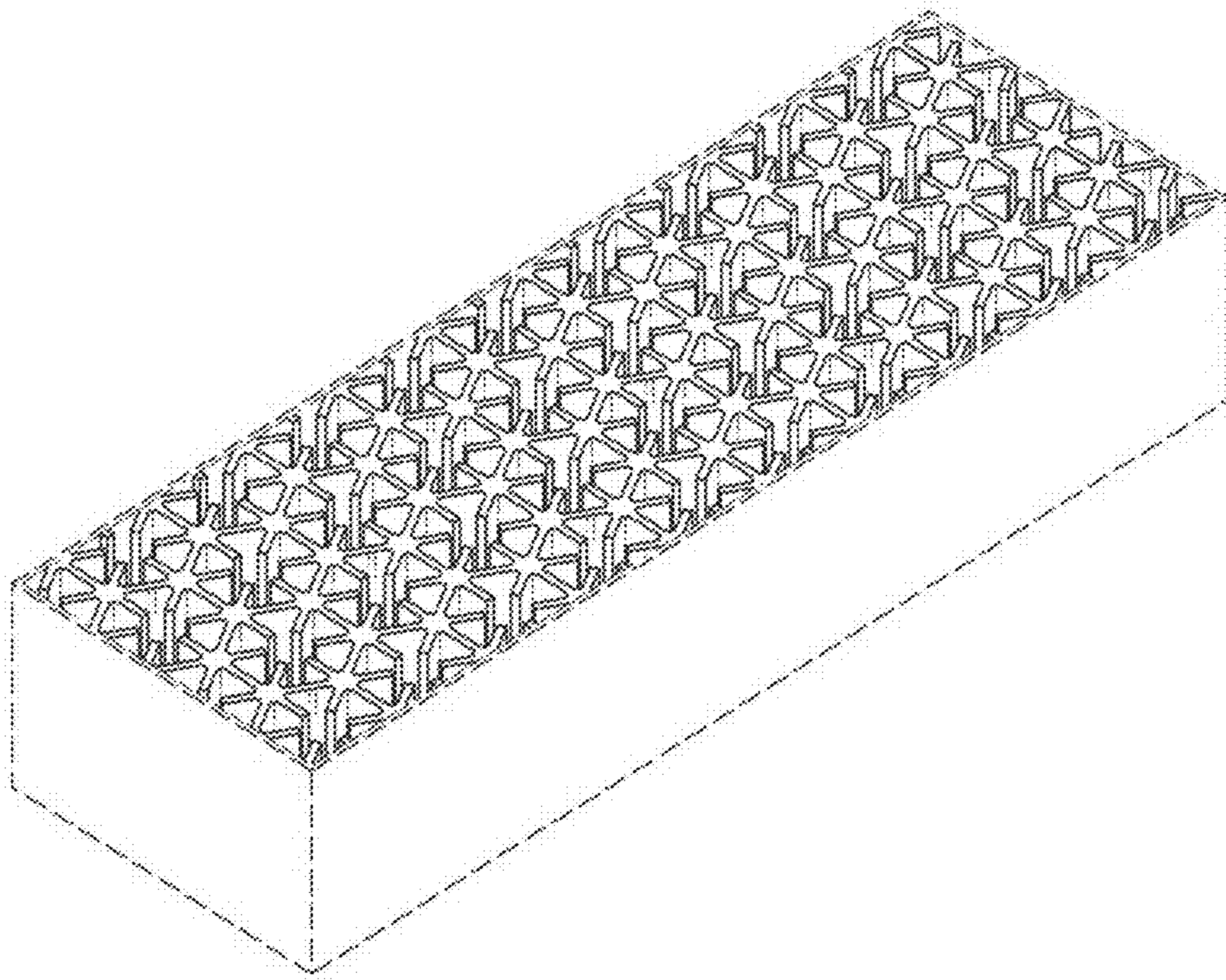
References Cited

U.S. PATENT DOCUMENTS

8,438,737 B2 * 5/2013 Lo B26B 3/04
30/114
D705,634 S * 5/2014 Furey D8/72
D724,904 S * 3/2015 Chinon D7/672

* cited by examiner

1.1



1.2



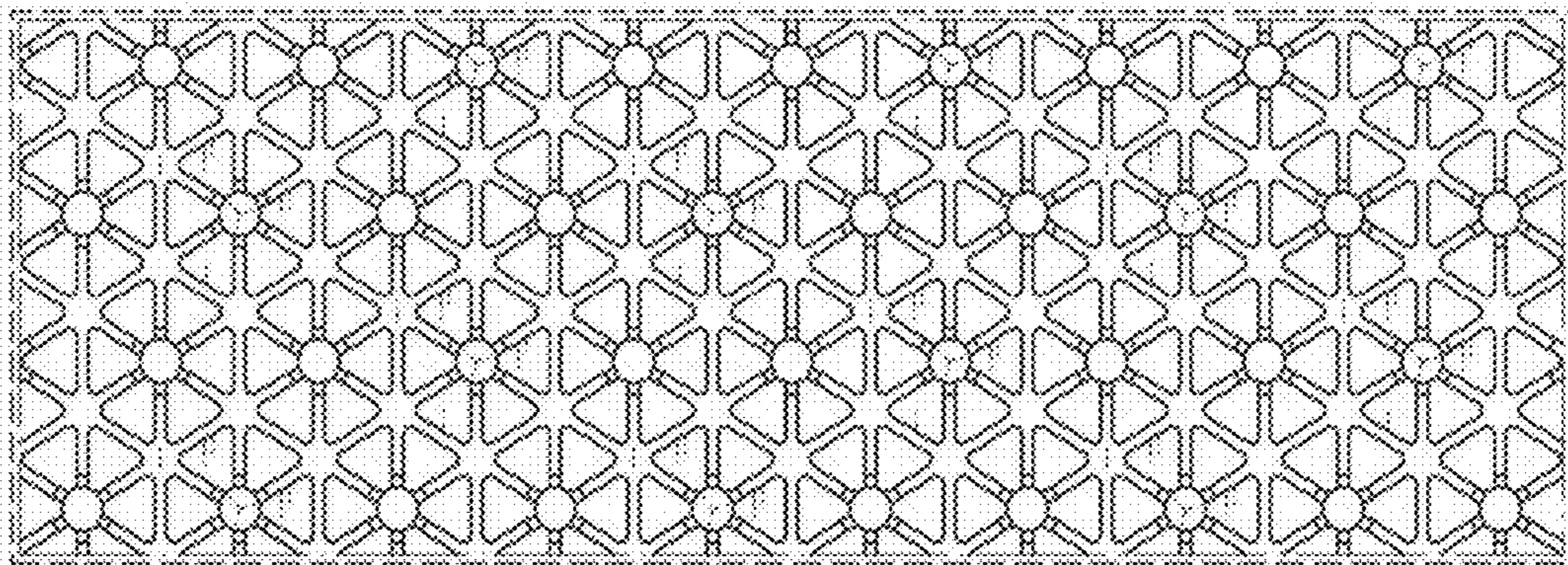
1.3



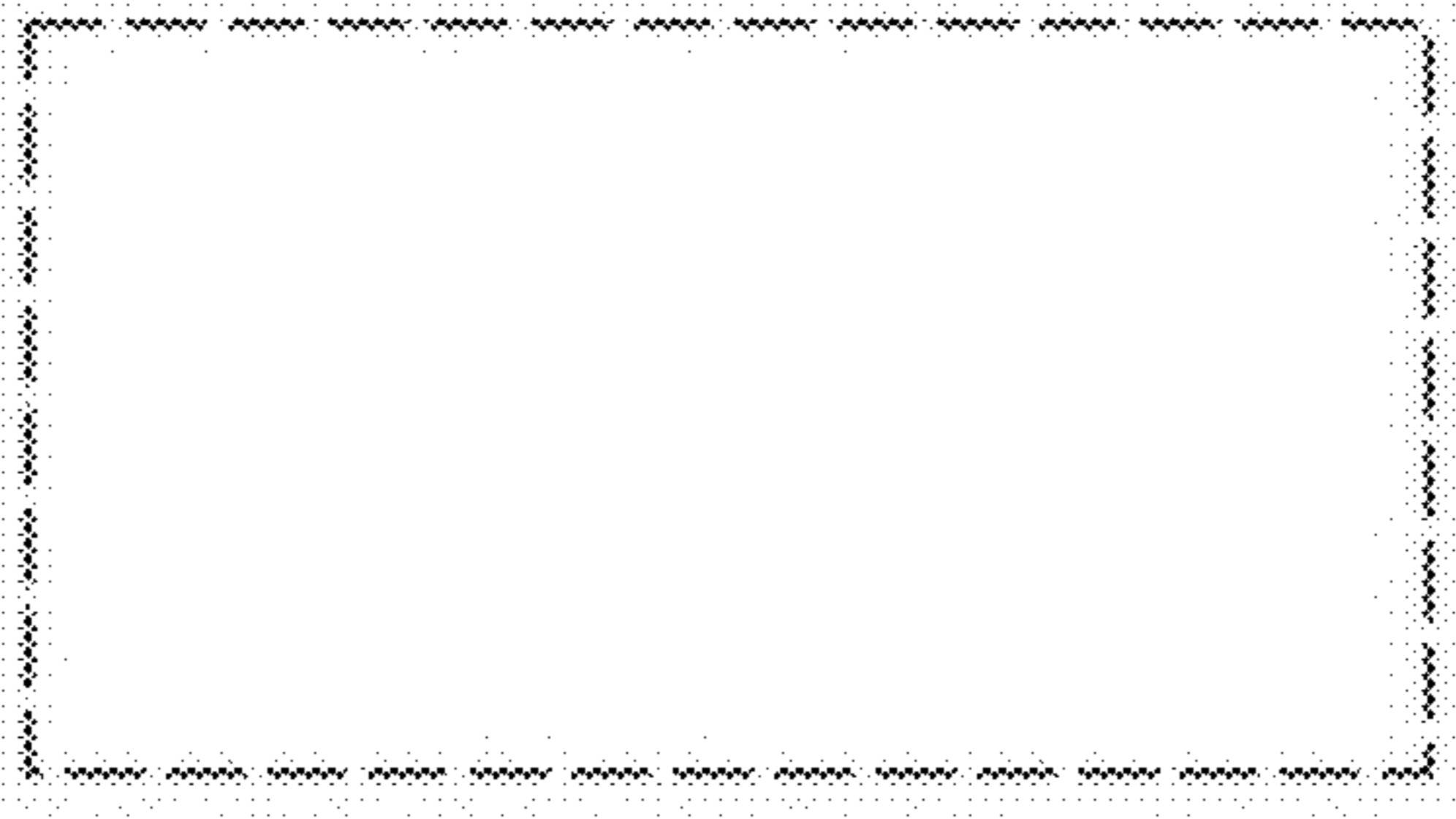
1



1.5



1.6



1.7

