



US00D809574S

(12) **United States Design Patent**
Lin

(10) **Patent No.:** **US D809,574 S**

(45) **Date of Patent:** **** Feb. 6, 2018**

(54) **3D PRINTER**

(71) Applicants: **XYZprinting, Inc.**, New Taipei (TW);
Kinpo Electronics, Inc., New Taipei (TW)

(72) Inventor: **Yu-Hao Lin**, New Taipei (TW)

(73) Assignees: **XYZprinting, Inc.**, New Taipei (TW);
Kinpo Electronics, Inc., New Taipei (TW)

(**) Term: **15 Years**

(21) Appl. No.: **29/593,583**

(22) Filed: **Feb. 10, 2017**

(51) **LOC (11) Cl.** **15-09**

(52) **U.S. Cl.**
USPC **D15/122; D15/135**

(58) **Field of Classification Search**
USPC D15/122, 135, 136
CPC . B29C 47/12; B29C 67/0059; B29C 67/0088;
B29K 2105/0058
See application file for complete search history.

(56) **References Cited**

U.S. PATENT DOCUMENTS

D598,906 S *	8/2009	Chiba	D14/240
D617,966 S *	6/2010	Lee	D32/31
D703,735 S *	4/2014	Best	D18/50
D711,463 S *	8/2014	Costabeber	D14/300
D732,586 S *	6/2015	Chen	D15/122
D732,587 S *	6/2015	Hsu	D15/122
D734,814 S *	7/2015	Yeh	D18/50
D738,410 S *	9/2015	Liu	D15/122
D739,885 S *	9/2015	Lee	D15/122
D746,881 S *	1/2016	Anantha	D15/122

D749,155 S *	2/2016	Kemperle	D15/122
D752,661 S *	3/2016	Anantha	D15/122
D757,132 S *	5/2016	Liu	D15/122
D763,330 S *	8/2016	Olive	D15/122
D766,998 S *	9/2016	Kao	D15/122
D770,545 S *	11/2016	Olive	D15/122
D771,164 S *	11/2016	Noorazar	D15/122
D776,174 S *	1/2017	Summit	D15/122
D777,227 S *	1/2017	Kao	D15/122
D777,228 S *	1/2017	Chang	D15/122
D777,808 S *	1/2017	Chang	D15/122
D787,574 S *	5/2017	Lee	D15/122
D788,843 S *	6/2017	Lee	D18/55
2016/0236409 A1 *	8/2016	Armani	B29C 47/12
2016/0339634 A1 *	11/2016	Fuller	B29C 67/0055

* cited by examiner

Primary Examiner — Patricia A Palasik

(74) *Attorney, Agent, or Firm* — JCIPRNET

(57) **CLAIM**

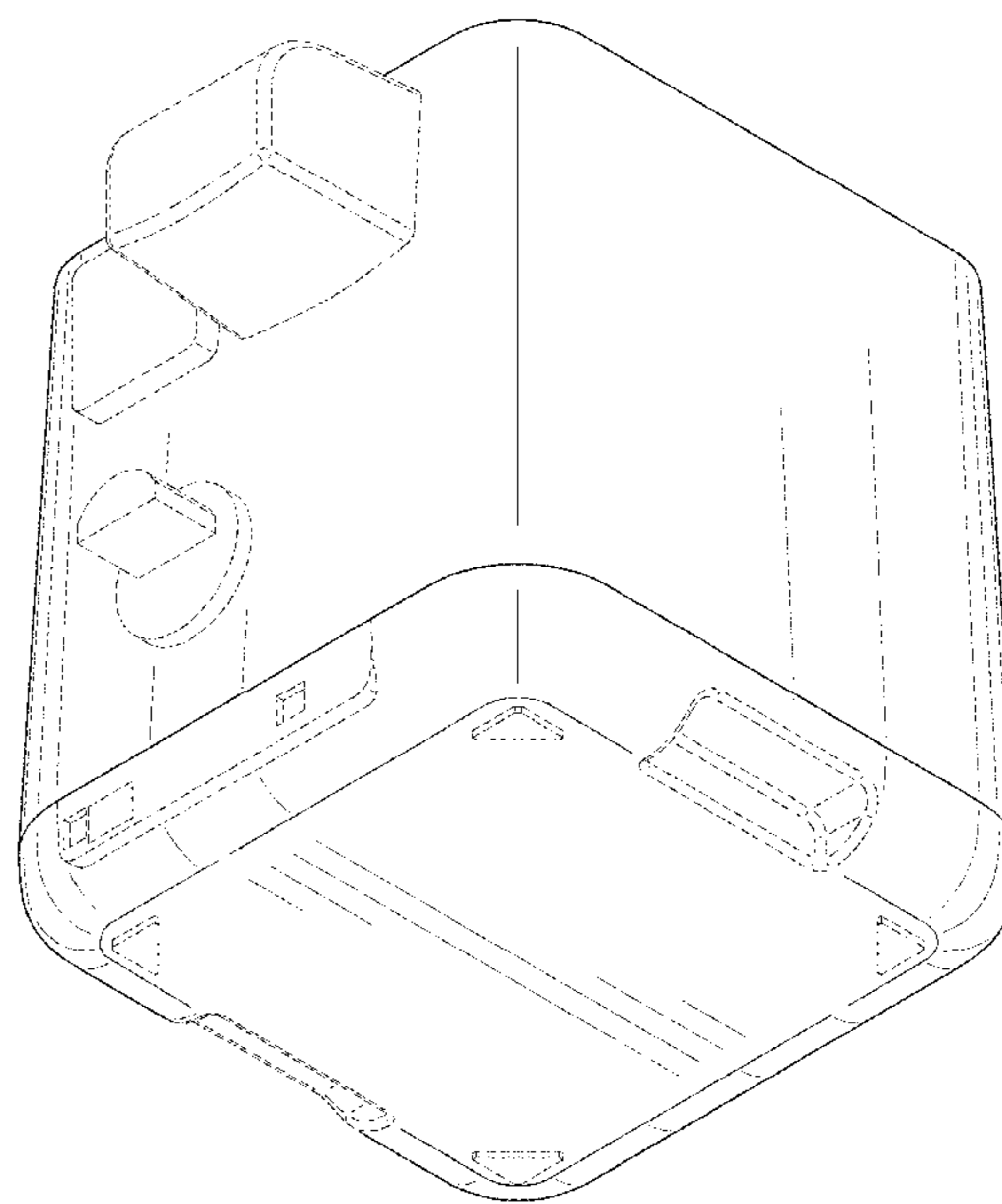
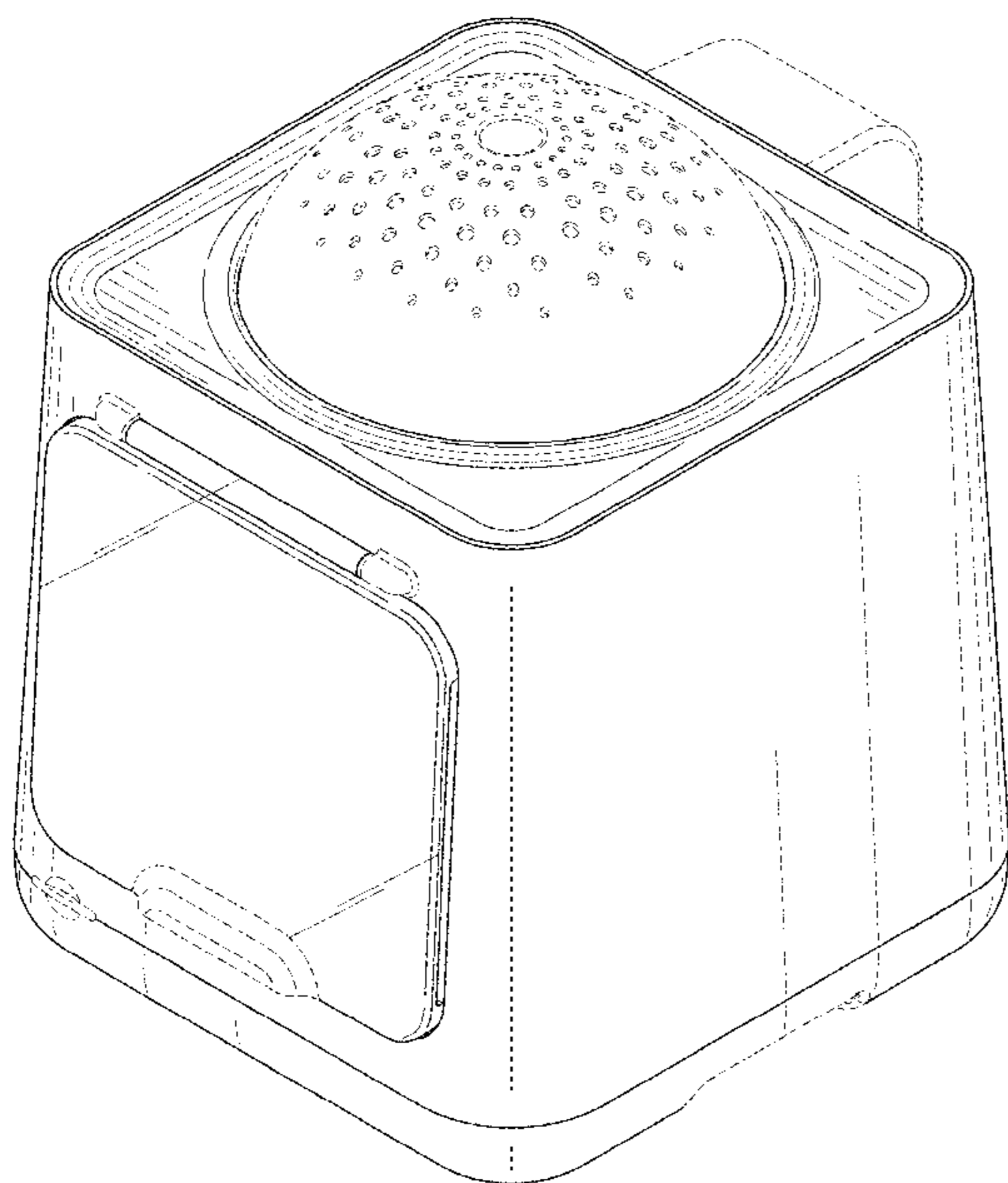
The ornamental design for a 3D printer, as shown and described.

DESCRIPTION

FIG. 1 is a perspective view of a 3D printer showing our new design;
FIG. 2 is another perspective view thereof;
FIG. 3 is a front view thereof;
FIG. 4 is a rear view thereof;
FIG. 5 is a left side view thereof;
FIG. 6 is a right side view thereof;
FIG. 7 is a top view thereof; and,
FIG. 8 is a bottom view thereof.

The broken line showing of portions of the 3D printer depict unclaimed environmental subject matter.

1 Claim, 8 Drawing Sheets



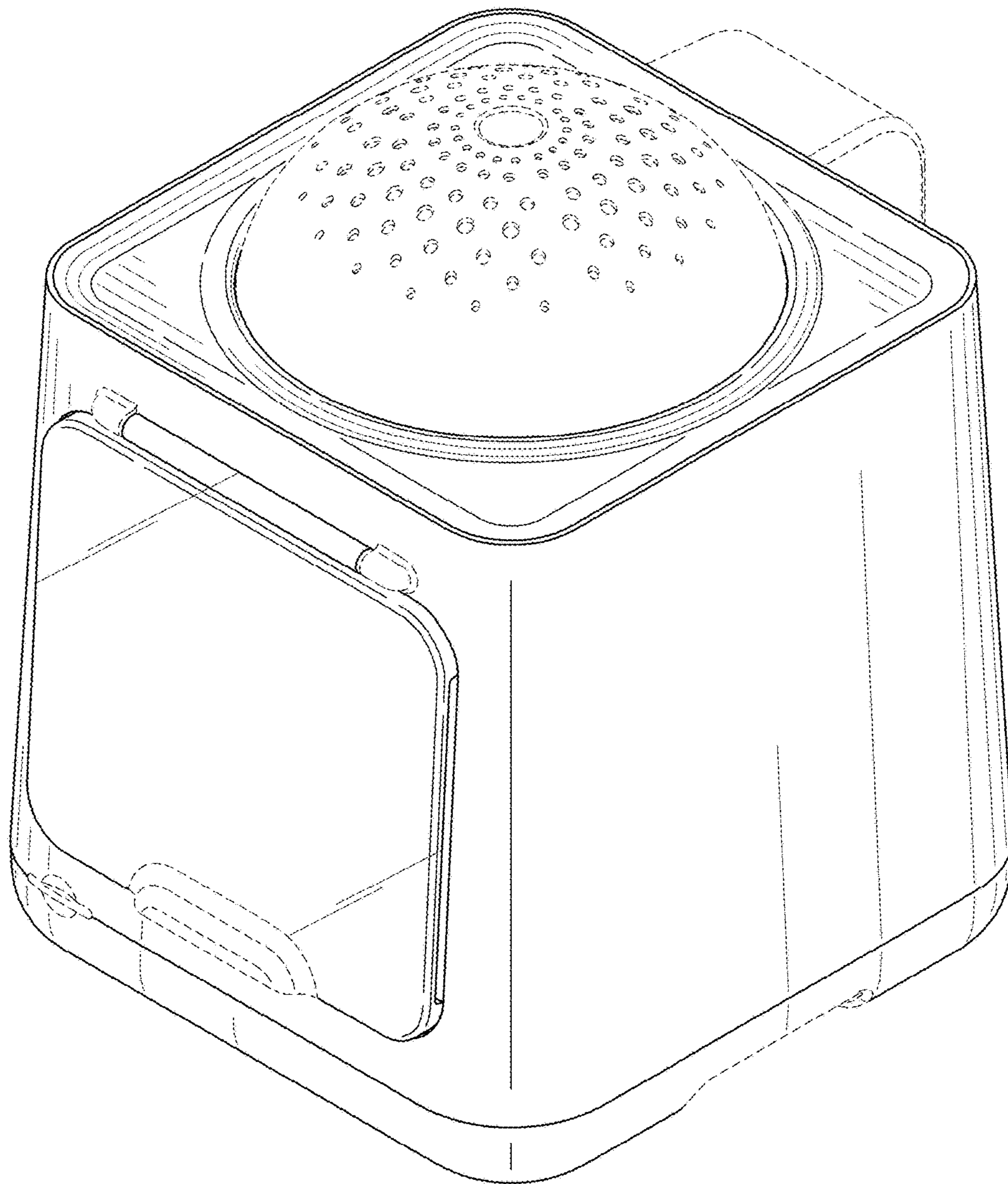


FIG. 1

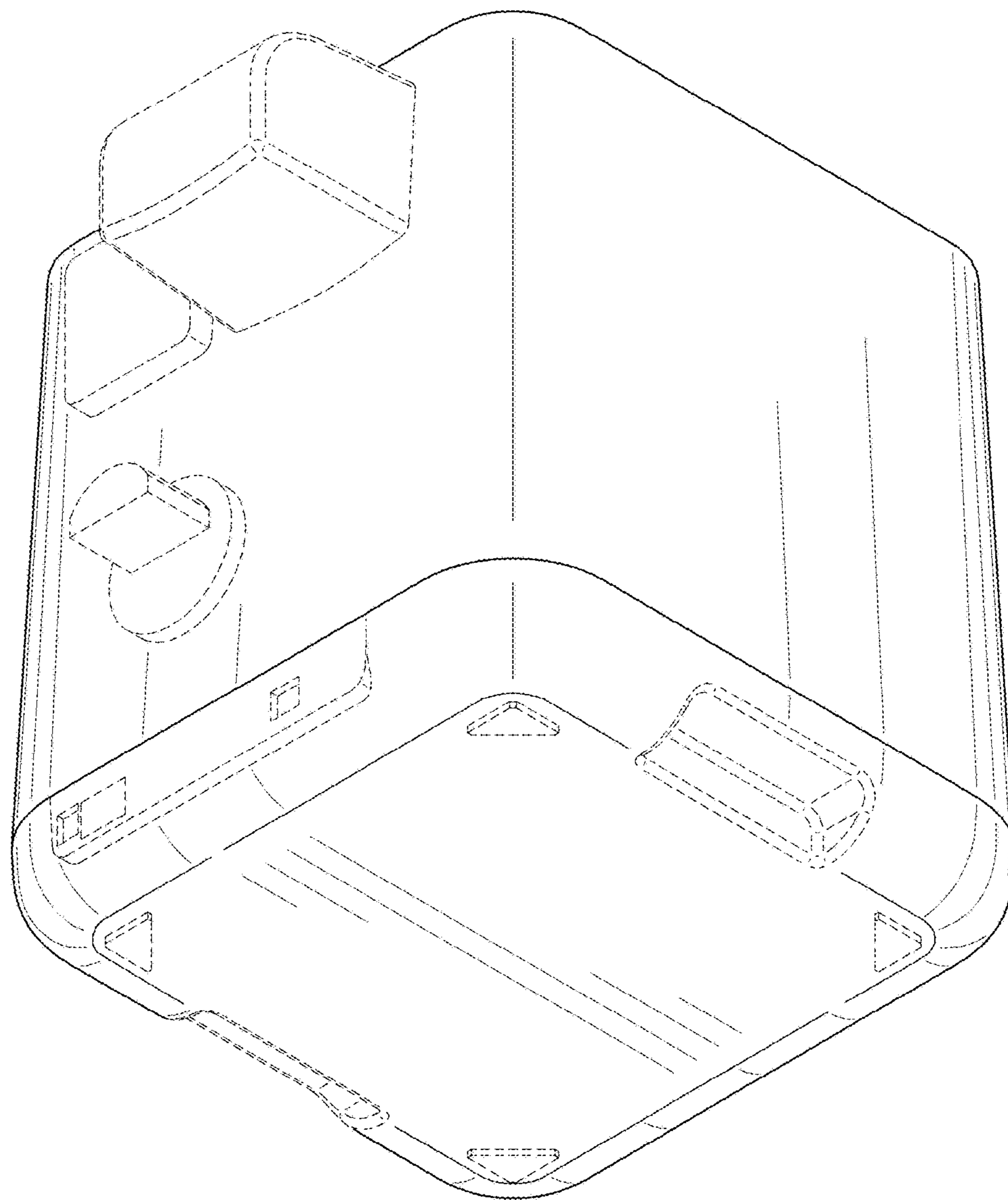


FIG. 2

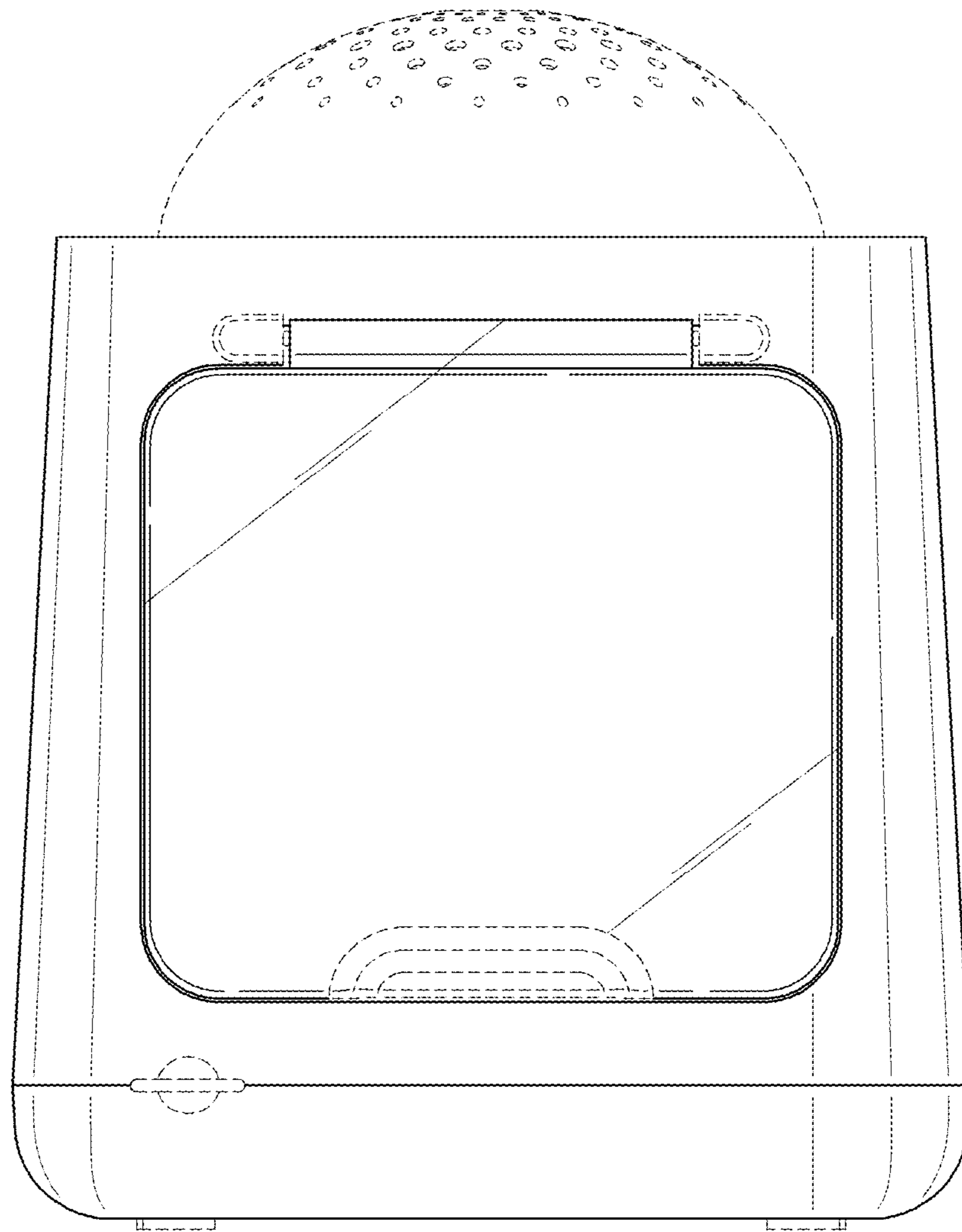


FIG. 3

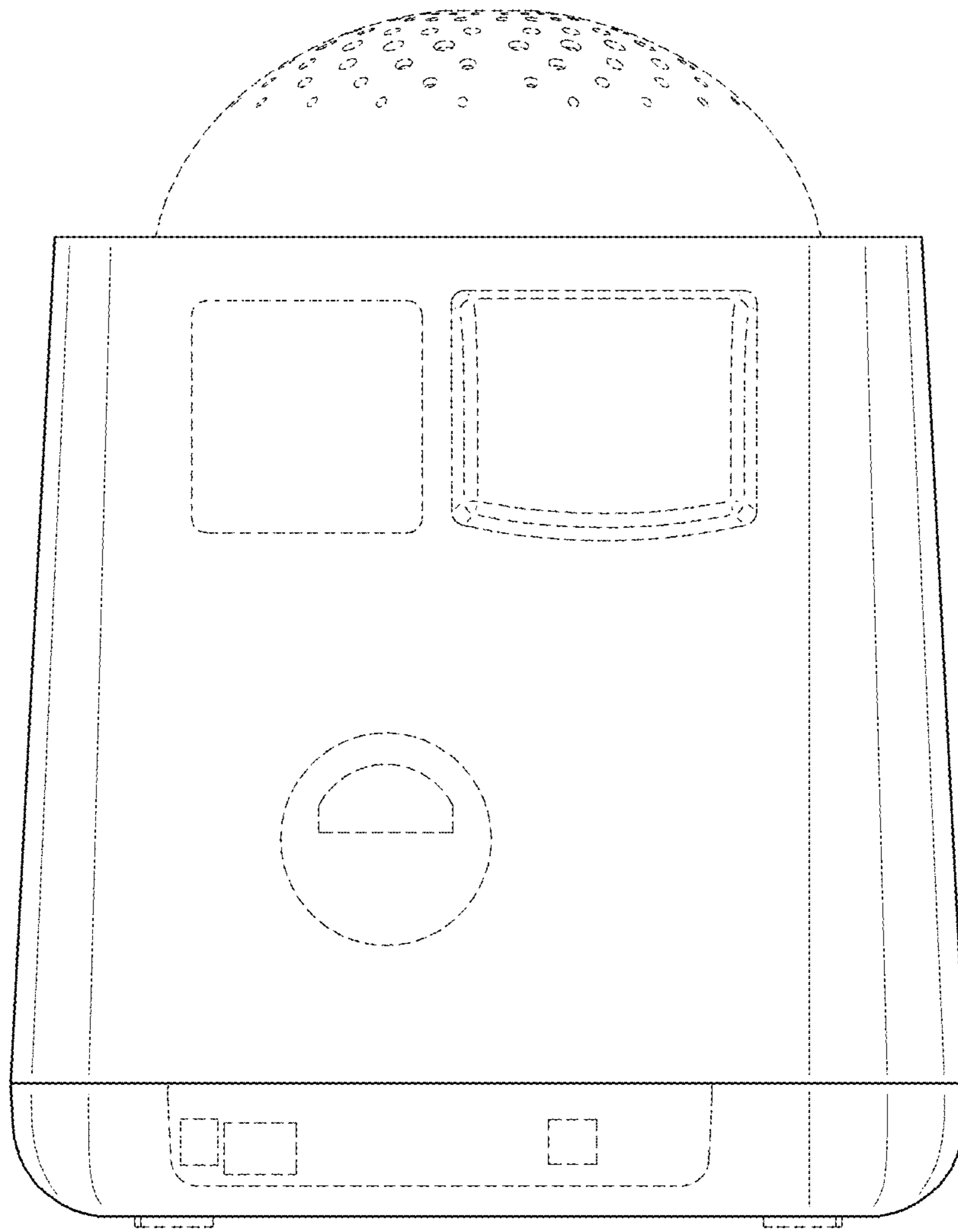


FIG. 4

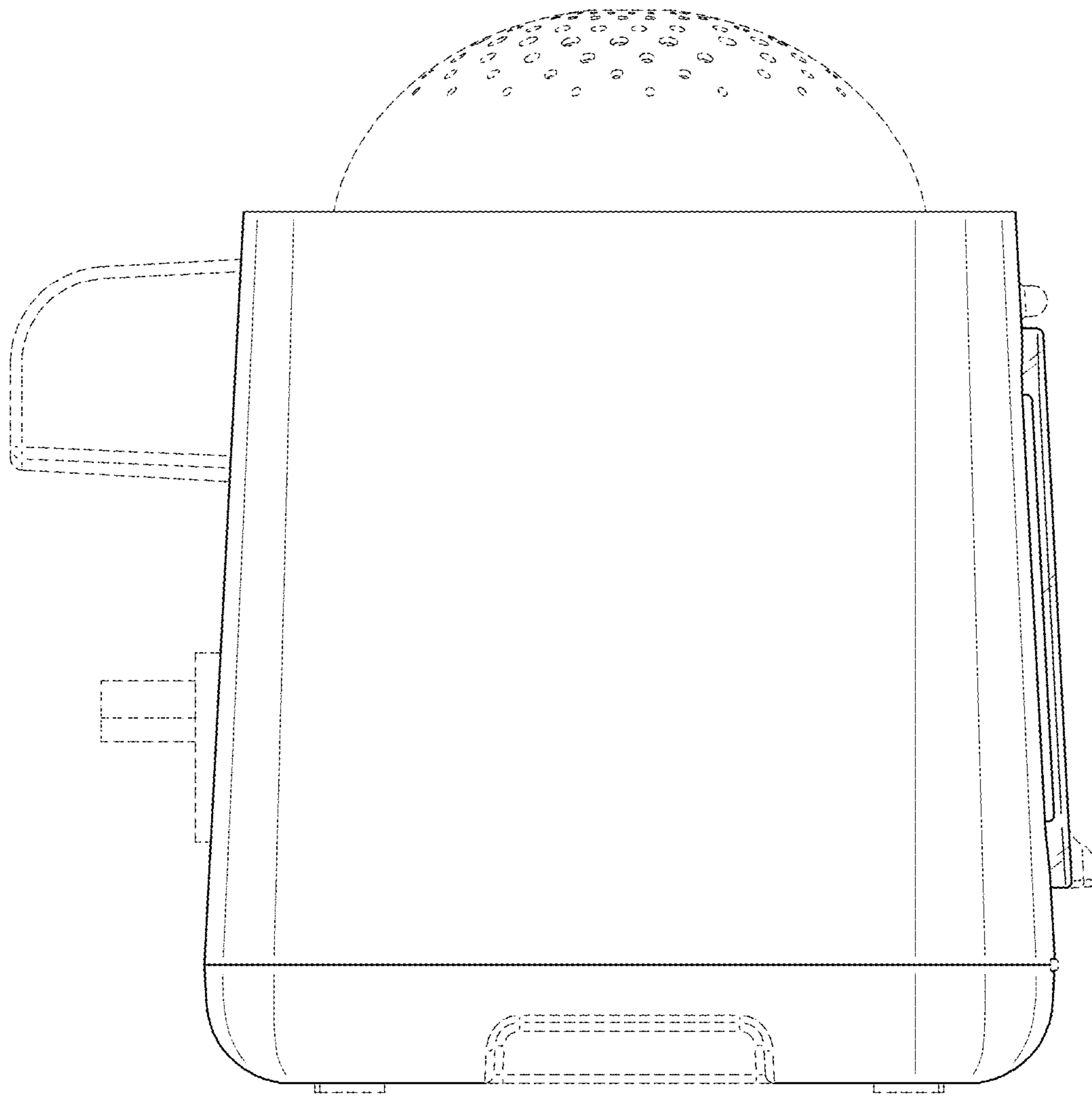


FIG. 5

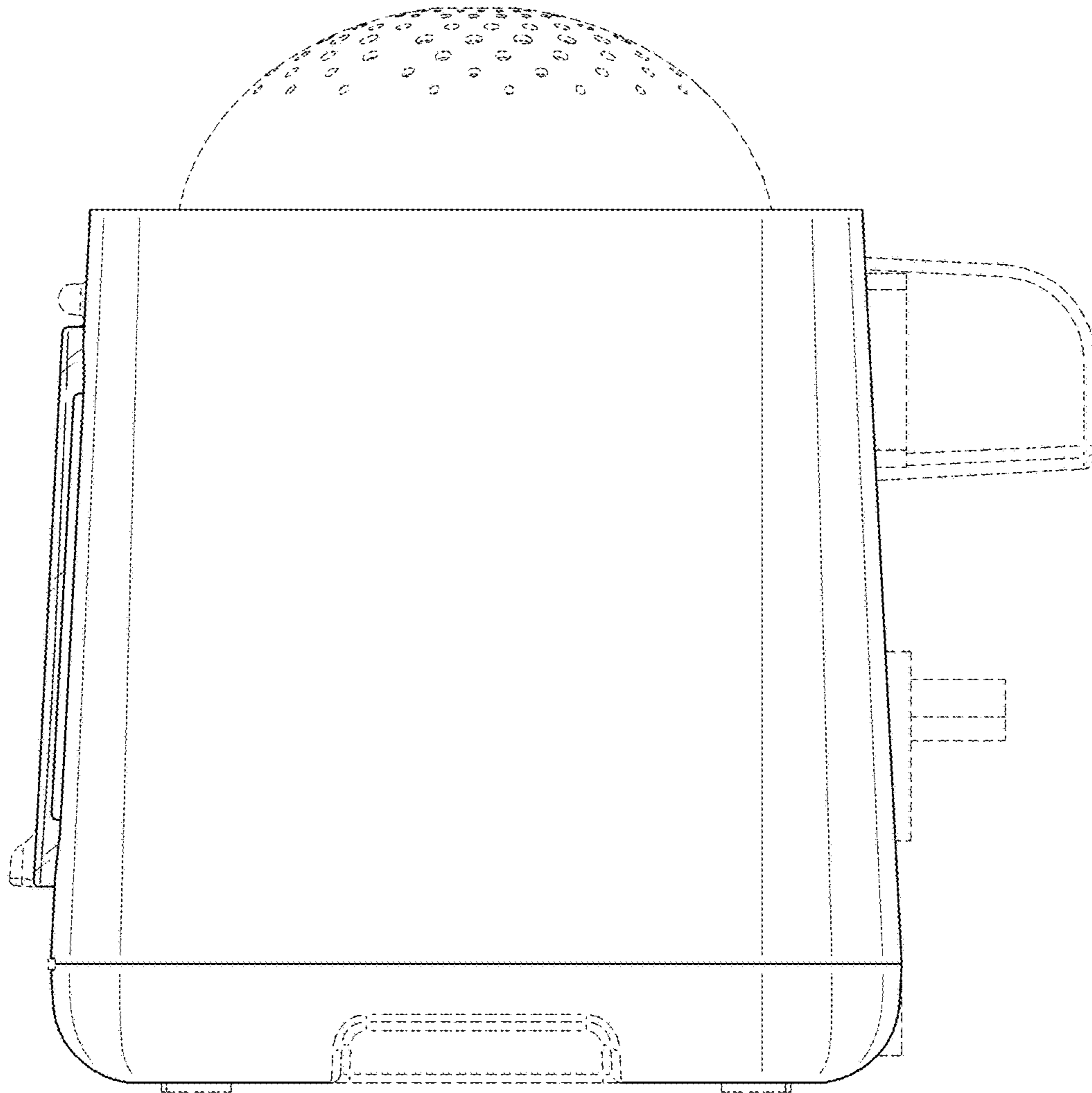


FIG. 6

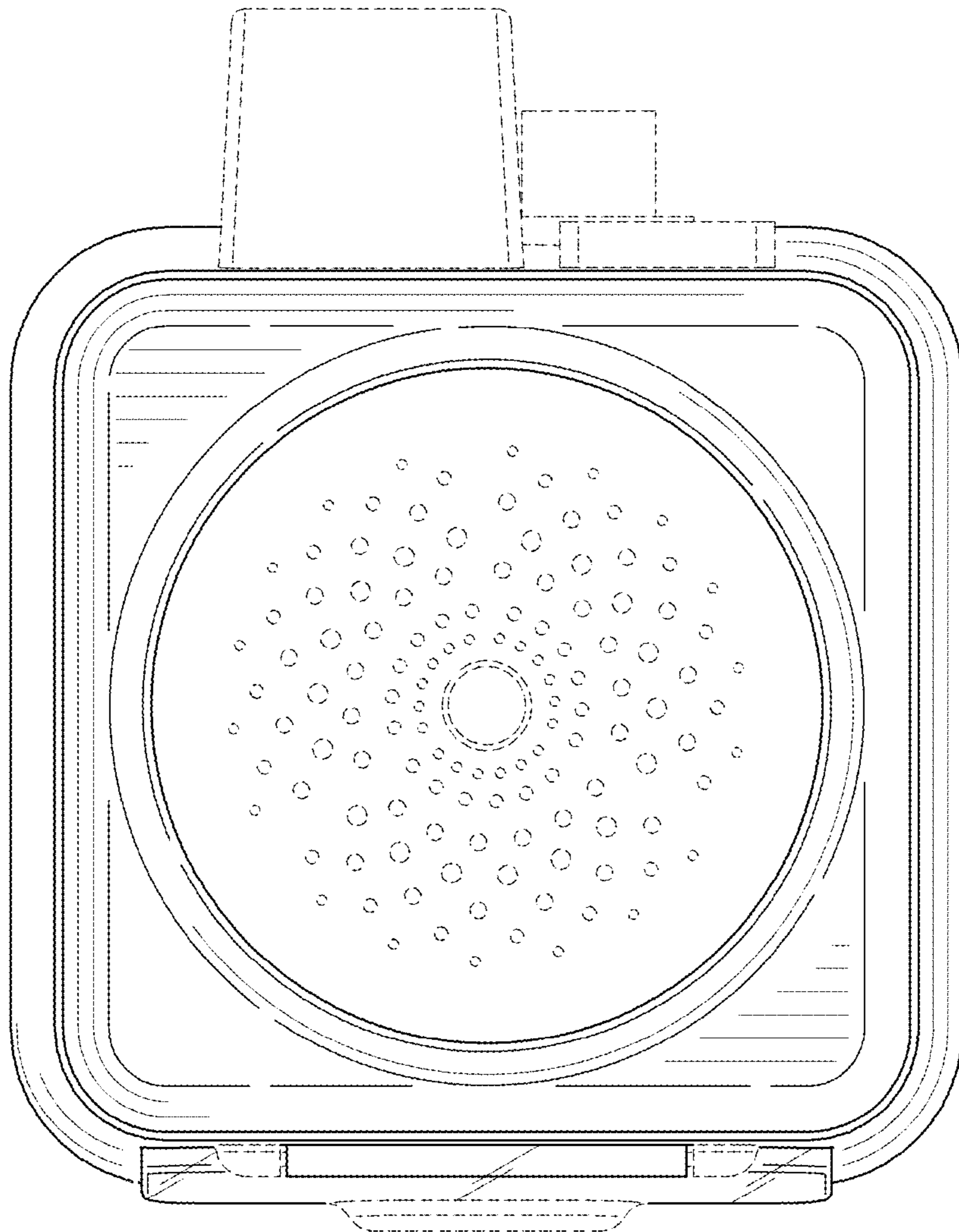


FIG. 7

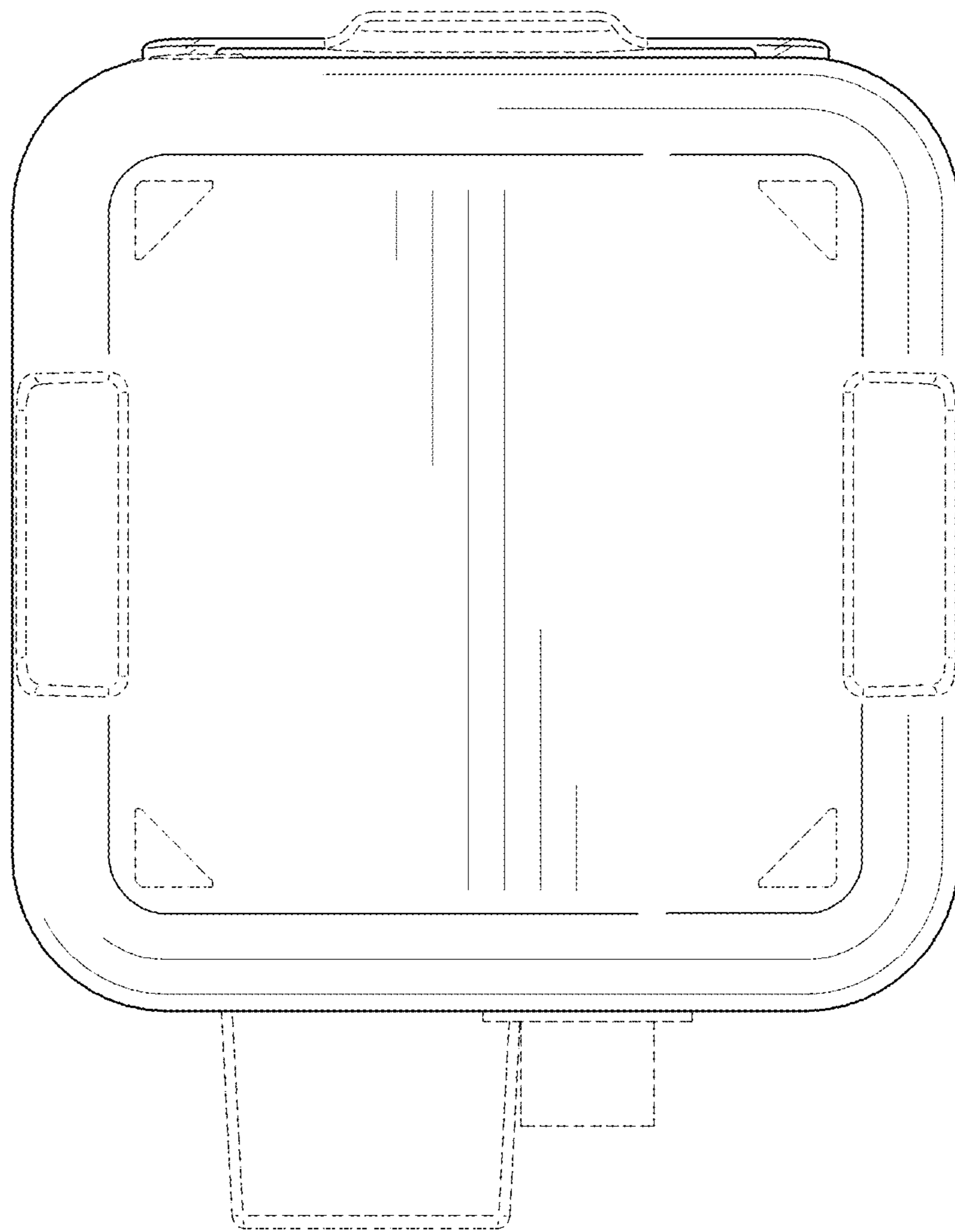


FIG. 8