



US00D809570S

(12) **United States Design Patent**
Brueggen et al.

(10) **Patent No.:** **US D809,570 S**

(45) **Date of Patent:** **** Feb. 6, 2018**

- (54) **AUTONOMOUS VEHICLE**
- (71) Applicant: **Deere & Company**, Moline, IL (US)
- (72) Inventors: **Shane J. Brueggen**, Louisburg, KS (US); **Steve P. Robisky**, Cedar Falls, IA (US); **Troy K. Maddox**, Anamosa, IA (US)
- (73) Assignee: **DEERE & COMPANY**, Moline, IL (US)
- (**) Term: **15 Years**
- (21) Appl. No.: **29/588,547**
- (22) Filed: **Dec. 21, 2016**
- (51) **LOC (11) Cl.** **12-09**
- (52) **U.S. Cl.**
USPC **D15/24**
- (58) **Field of Classification Search**
USPC D15/10, 21-26, 11, 12; 56/14.7, 13.3, 56/13.4, 16.1, 17.6, 15.8, 25.9, 202, 255, 56/294, 320.1, 320.2
CPC A01B 69/00; G05D 1/00; G05D 1/021
See application file for complete search history.

- D460,463 S * 7/2002 Kubo D15/26
- D463,454 S * 9/2002 Miller D15/22
- D476,340 S * 6/2003 Niebuhr et al.
- D482,701 S * 11/2003 Bares D15/24
- D516,587 S * 3/2006 Bares D15/23
- D555,673 S * 11/2007 Hendron D15/22
- D561,785 S * 2/2008 Imashige D15/24
- D587,727 S * 3/2009 Vos B62D 55/065
D15/24
- D614,204 S * 4/2010 Thompson D15/24
- D631,898 S * 2/2011 Major D15/24
- D634,757 S * 3/2011 Mack D15/10
- D657,394 S * 4/2012 Chapman D15/10
- D685,394 S * 7/2013 Nagata D15/24
- D707,261 S * 6/2014 Caboret D15/24
- D734,211 S * 7/2015 Ahn et al.
- 9,265,187 B2 * 2/2016 Cavender-Bares A01C 7/00
- D760,809 S * 7/2016 Nicholson D15/13

(Continued)

Primary Examiner — Mark Goodwin

(57) **CLAIM**

The ornamental design for an autonomous vehicle, as shown and described.

DESCRIPTION

FIG. 1 is a left front perspective view of an autonomous vehicle showing the new design; FIG. 2 is a right side elevation view thereof; FIG. 3 is a left side elevation view thereof; FIG. 4 is a front elevation view thereof; FIG. 5 is a rear elevation view thereof; FIG. 6 is a top plan view thereof; and, FIG. 7 is a bottom plan view thereof.

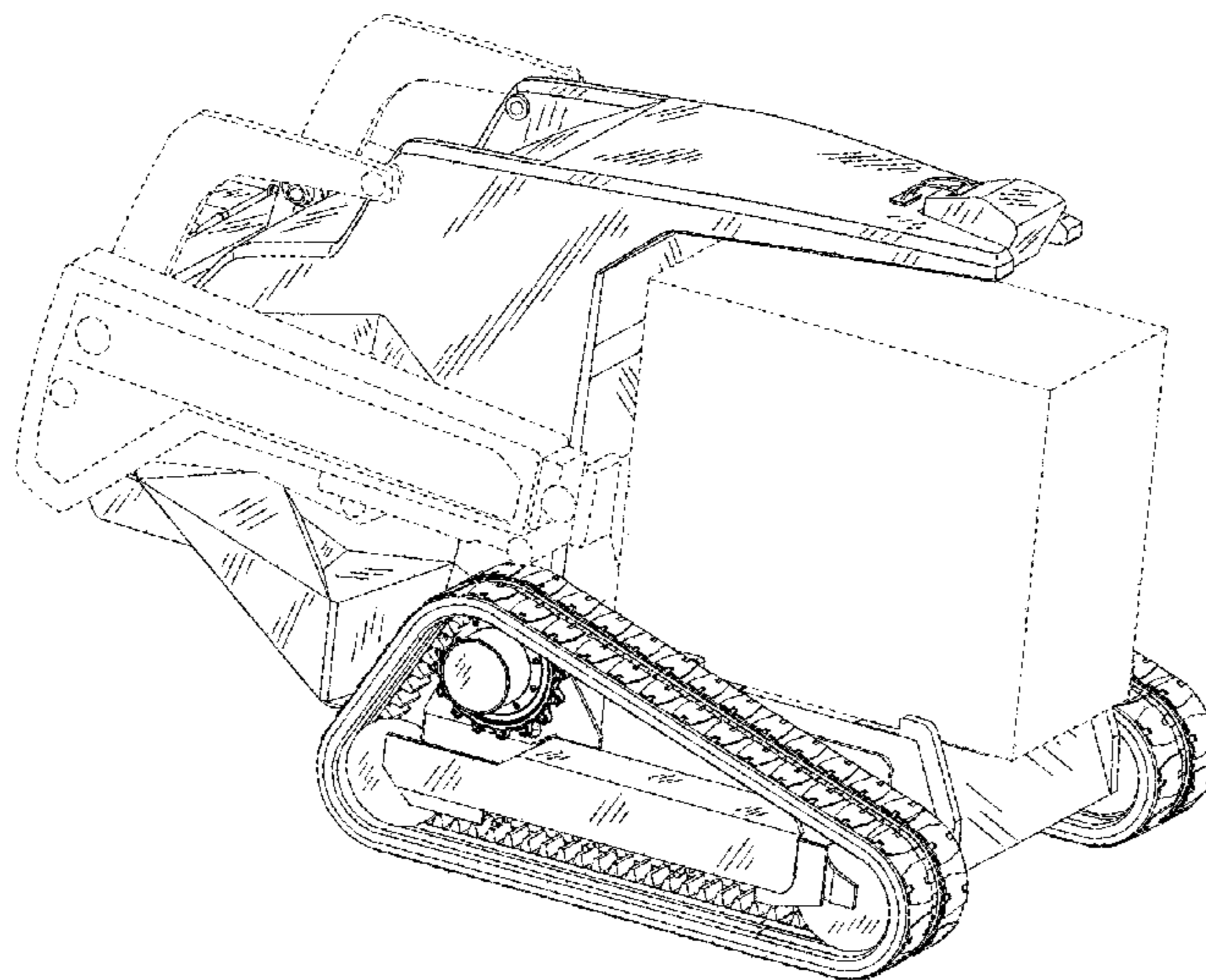
The ornamental design which is claimed is shown in solid lines in the drawings. The portions of the design shown in broken lines or dashed lines are included for the purpose of illustrating environment and form no part of the claimed design.

1 Claim, 7 Drawing Sheets

(56) **References Cited**

U.S. PATENT DOCUMENTS

- D195,254 S * 5/1963 Keller et al. D15/25
- 3,828,952 A * 8/1974 Klee B60P 1/50
180/68.1
- D294,032 S * 2/1988 Whiffin D12/15
- D359,497 S * 6/1995 Rayner D15/25
- 5,451,135 A * 9/1995 Schempf B08B 9/0933
165/11.2
- D375,506 S * 11/1996 Bastian D15/24
- D428,425 S * 7/2000 Ratcliffe D12/14
- D431,574 S * 10/2000 Porter D15/25
- D438,218 S * 2/2001 McIlwraith D15/25
- 6,397,967 B1 * 6/2002 McIlwraith B60K 17/10
180/291



(56)

References Cited

U.S. PATENT DOCUMENTS

9,392,743	B2 *	7/2016	Camacho-Cook	A01C 15/00
D763,928	S *	8/2016	Okuyama	D15/25
D786,312	S *	5/2017	Okuyama	D12/14
2015/0045992	A1 *	2/2015	Ashby	E02F 9/265 701/2
2015/0105965	A1 *	4/2015	Blackwell	A01B 59/002 701/28
2015/0373905	A1 *	12/2015	Anderson	A01C 21/00 701/50

* cited by examiner

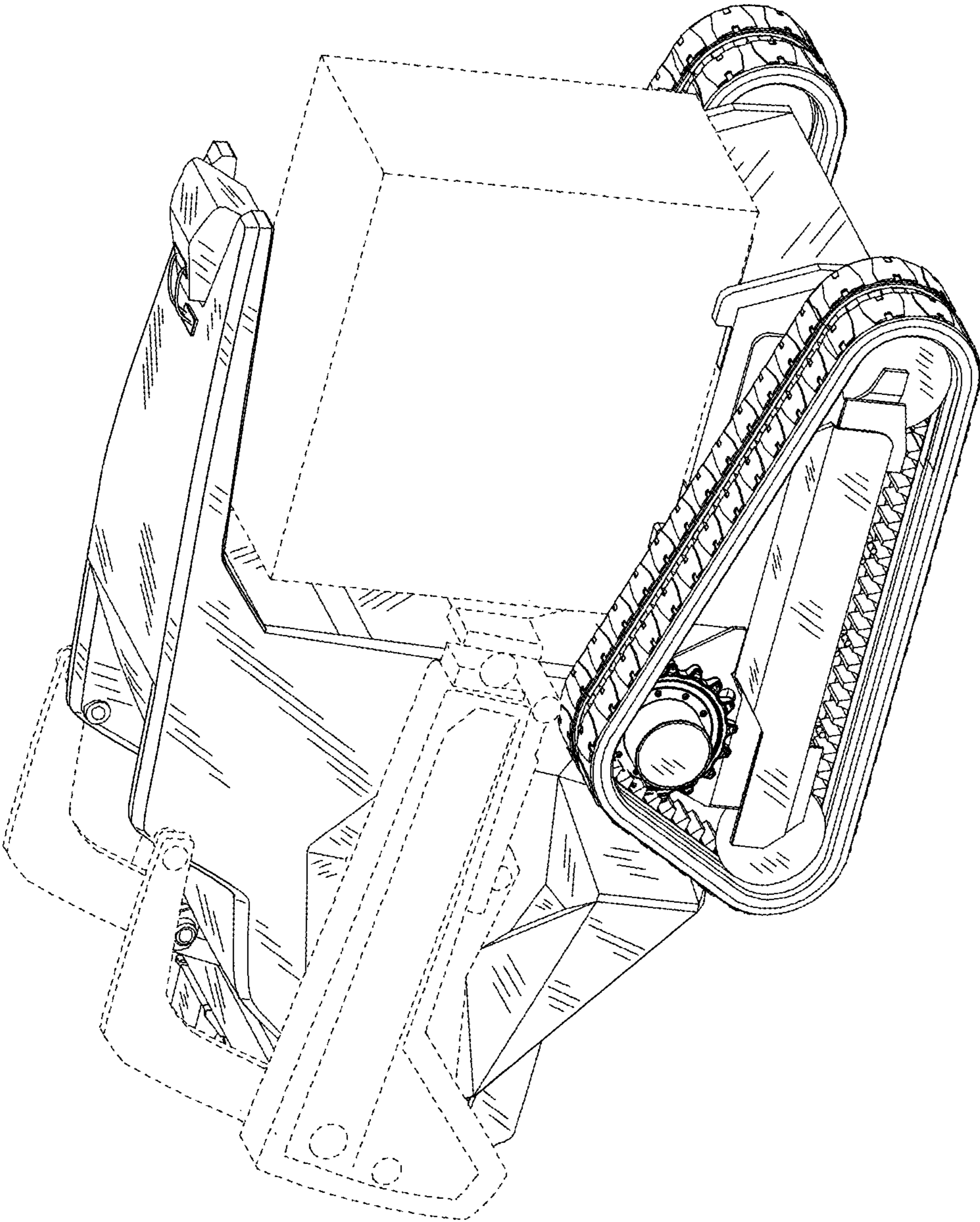


FIG. 1

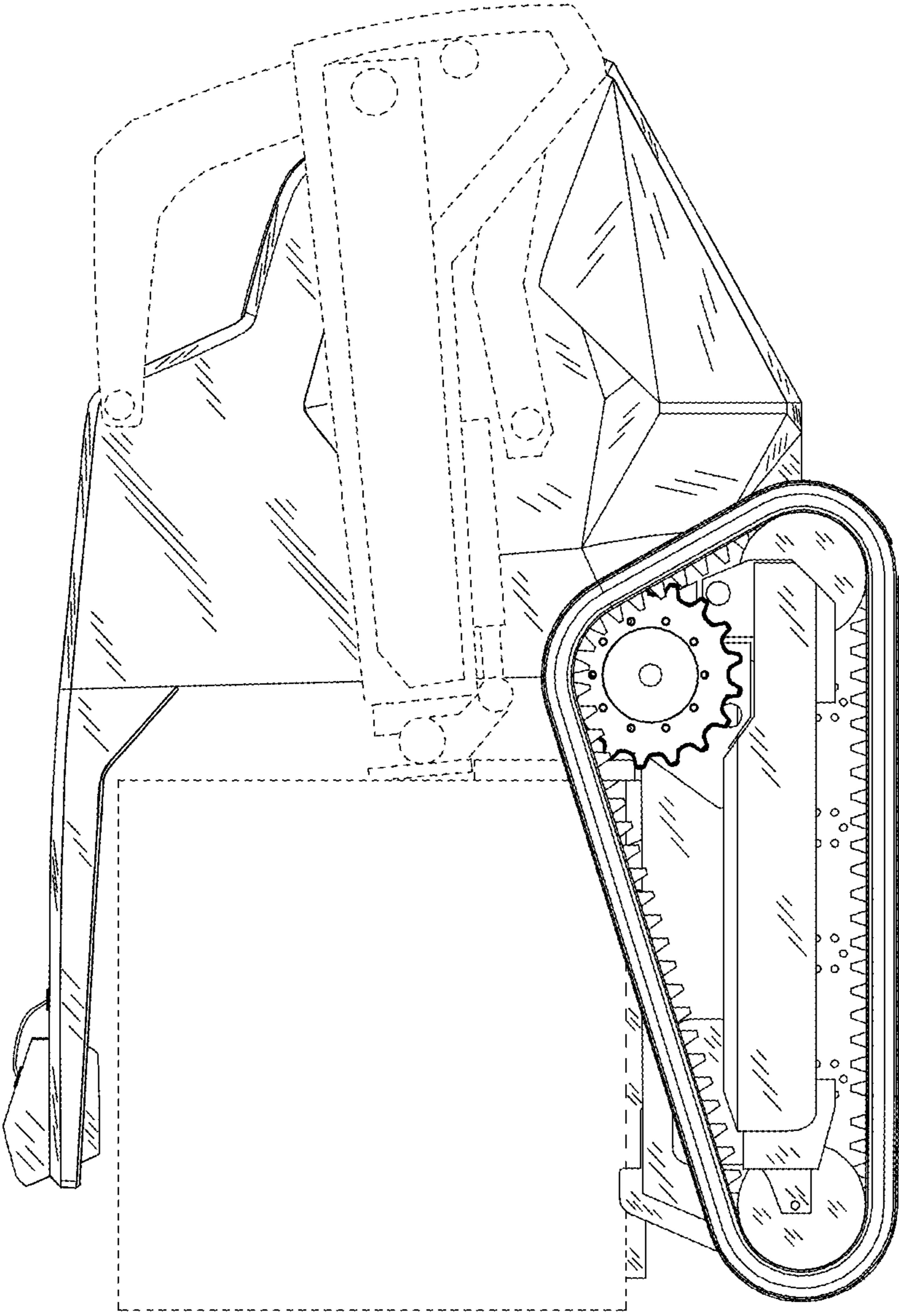


FIG. 2

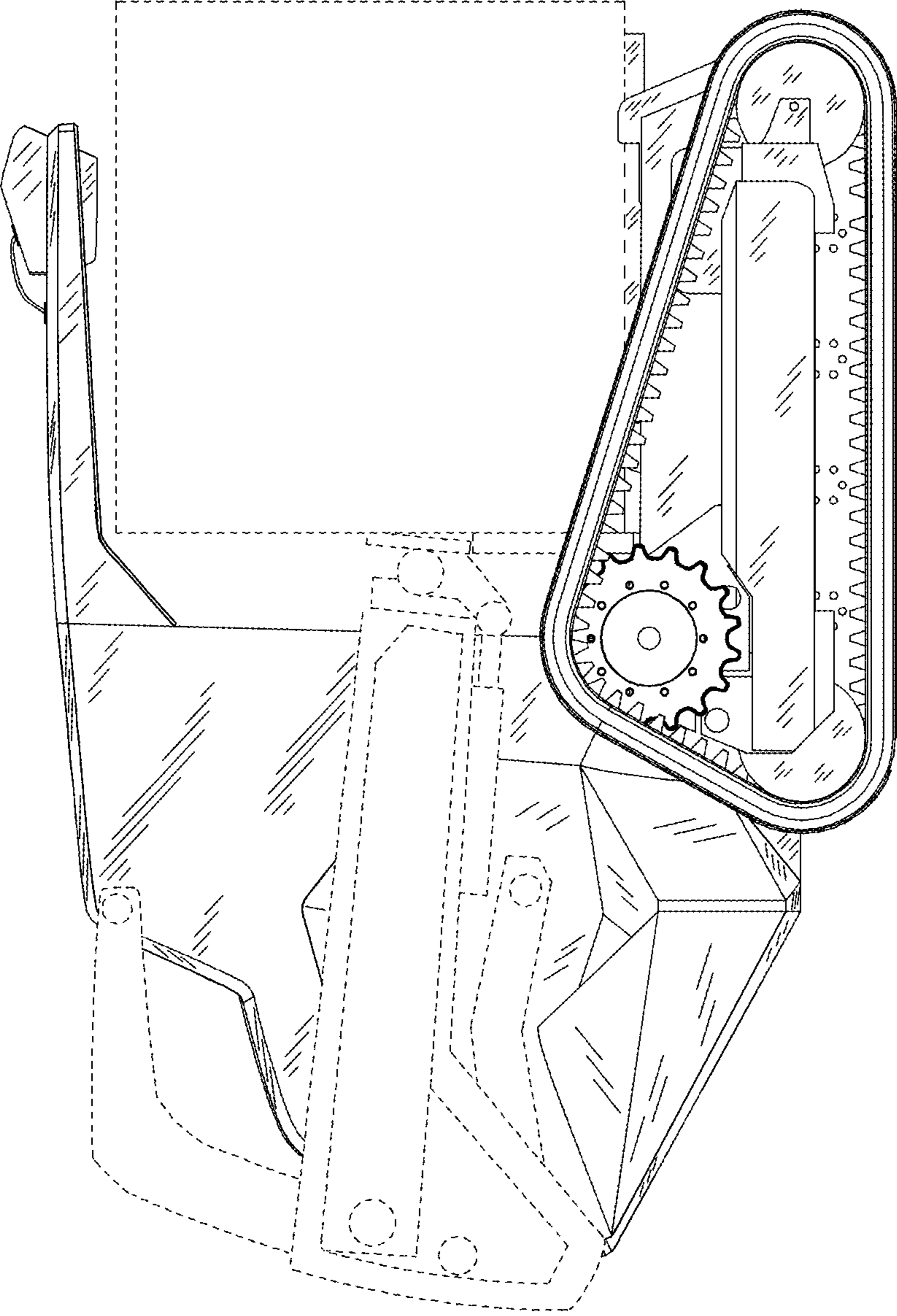


FIG. 3

FIG. 4

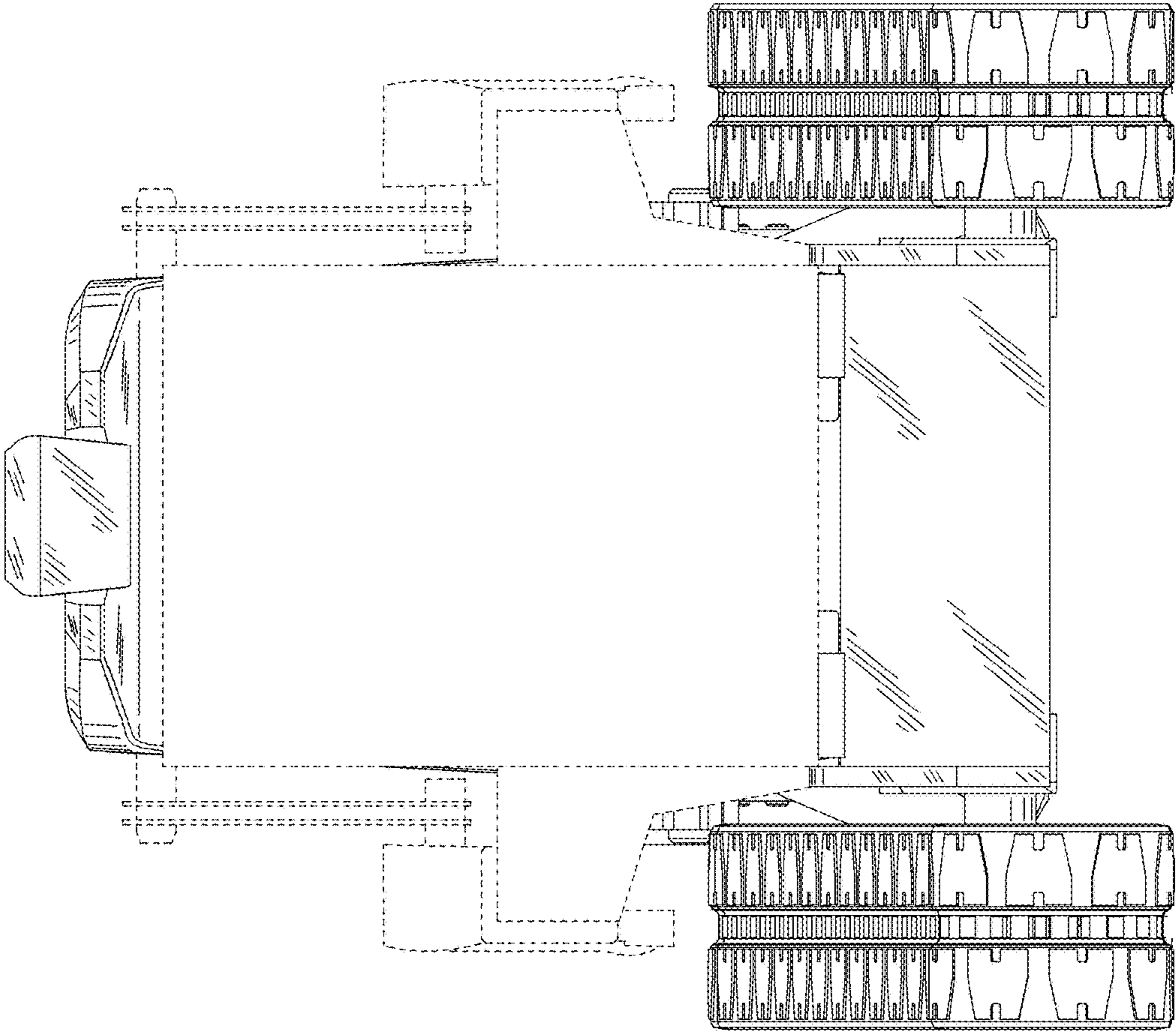
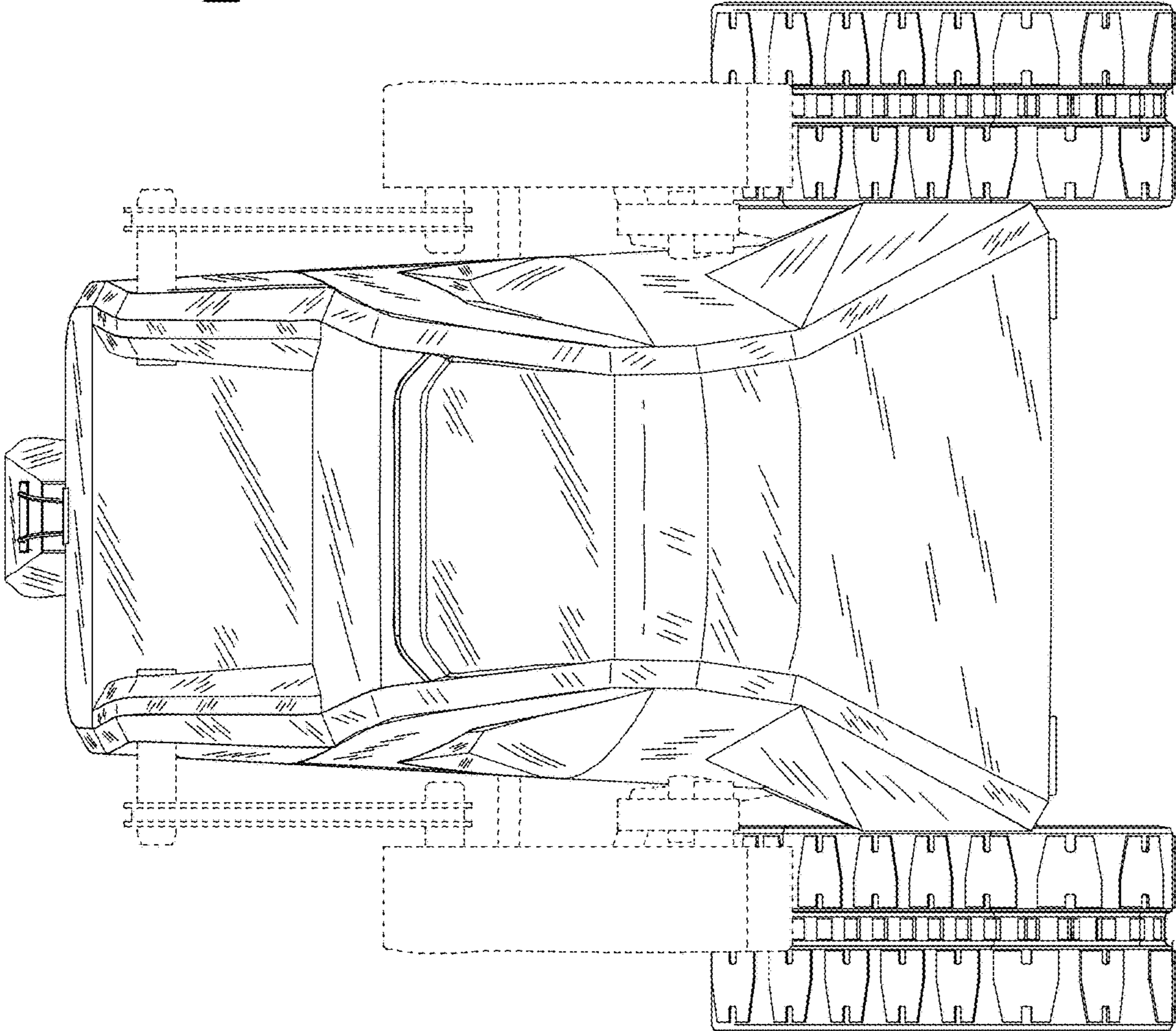


FIG. 5



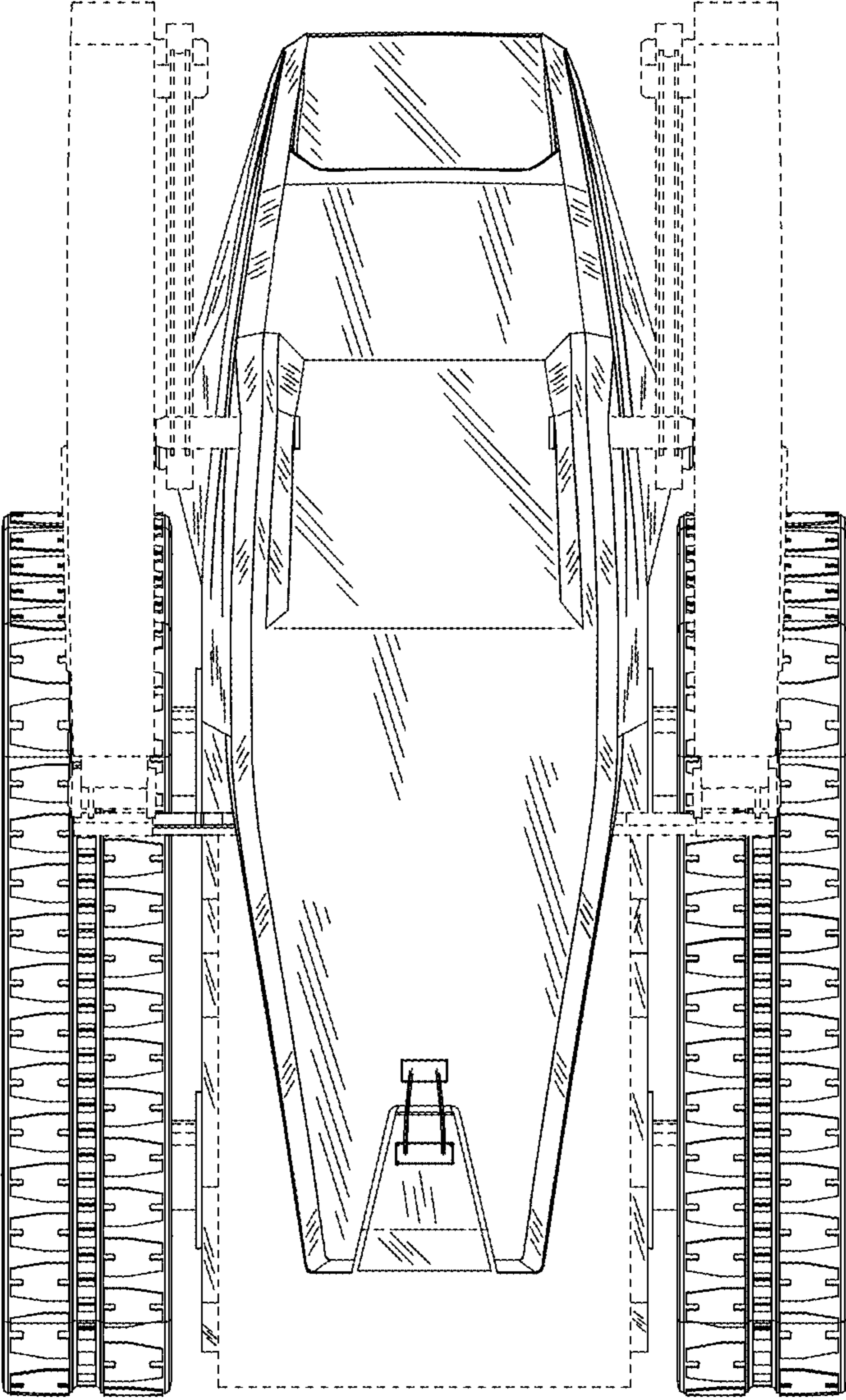


FIG. 6

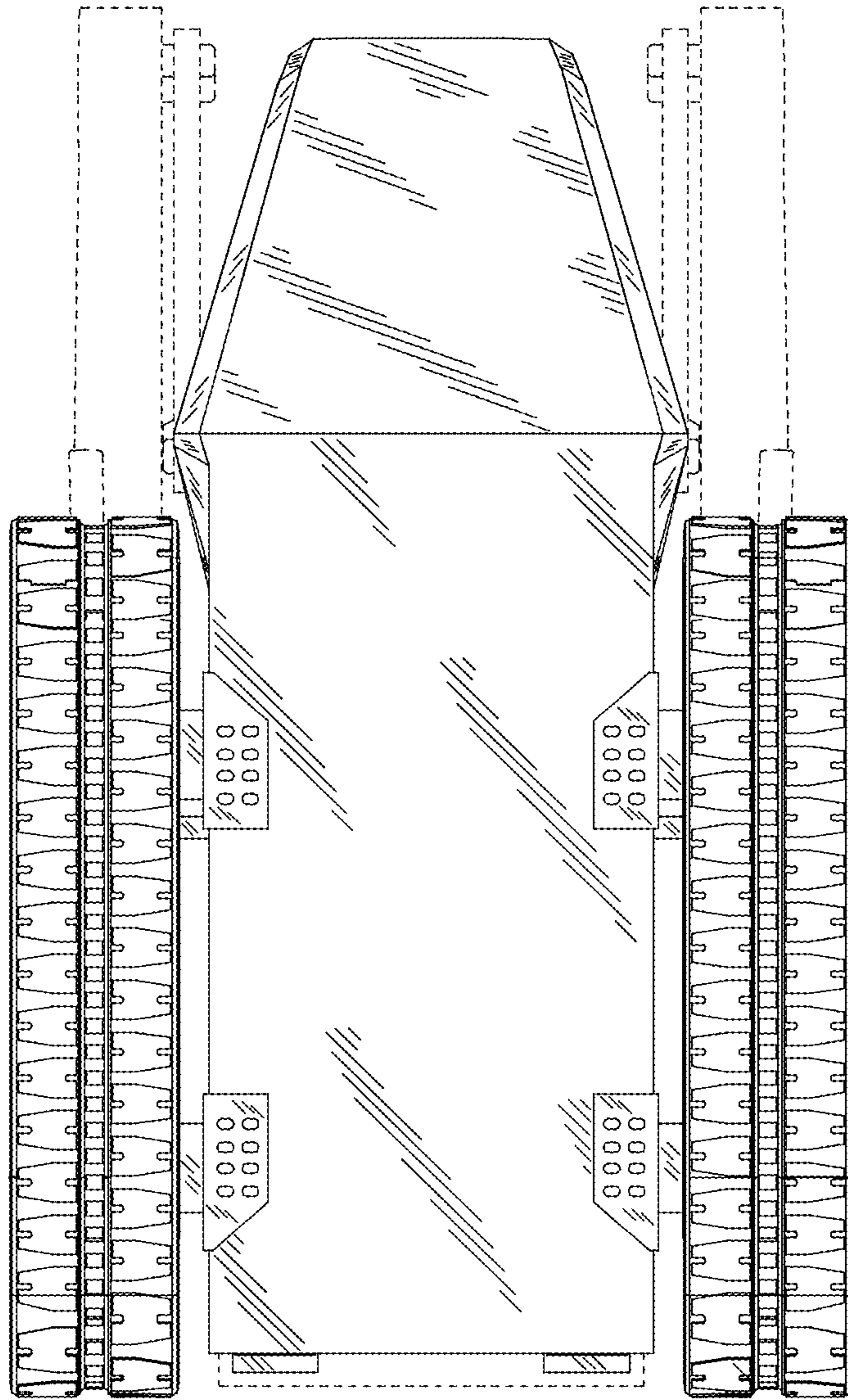


FIG. 7