



US00D809568S

(12) **United States Design Patent**
Ozeki et al.

(10) **Patent No.:** **US D809,568 S**

(45) **Date of Patent:** **** Feb. 6, 2018**

(54) **GAS FILLING APPARATUS**

(71) Applicant: **Tatsuno Corporation**, Tokyo (JP)

(72) Inventors: **Takeshi Ozeki**, Tokyo (JP); **Taku Kamikochi**, Tokyo (JP)

(73) Assignee: **Tatsuno Corporation**, Tokyo (JP)

(**) Term: **15 Years**

(21) Appl. No.: **29/575,499**

(22) Filed: **Aug. 25, 2016**

(51) **LOC (11) Cl.** **15-02**

(52) **U.S. Cl.**
USPC **D15/9.1**

(58) **Field of Classification Search**
USPC D15/7-9.3; D23/231, 232, 225; 417/60,
417/235, 265, 321, 355, 358, 363, 359,
417/410.1, 415-416, 405, 900; 60/408,
60/412; 184/26-37; 415/140-147;
123/495, 509; 222/25; 141/94
CPC ... B67D 5/22; B67D 5/12; B67D 5/08; B67D
5/06; B67D 7/08; G06F 7/08; D67D 7/12;
D67D 7/04; A01K 15/023
See application file for complete search history.

(56) **References Cited**

U.S. PATENT DOCUMENTS

5,490,612 A * 2/1996 Coquerel B67D 7/38
222/25
5,867,403 A * 2/1999 Sasnett, Jr. B67D 7/08
137/2

D429,740 S * 8/2000 Wilson D15/9.2
D440,579 S * 4/2001 Wilson D15/9.2
6,446,049 B1 * 9/2002 Janning A01K 15/023
141/94
D727,365 S * 4/2015 Helgesson D15/9.2

* cited by examiner

Primary Examiner — Ralf T Seifert

(74) *Attorney, Agent, or Firm* — Stetina Brunda Garred
and Brucker; Mark B. Garred

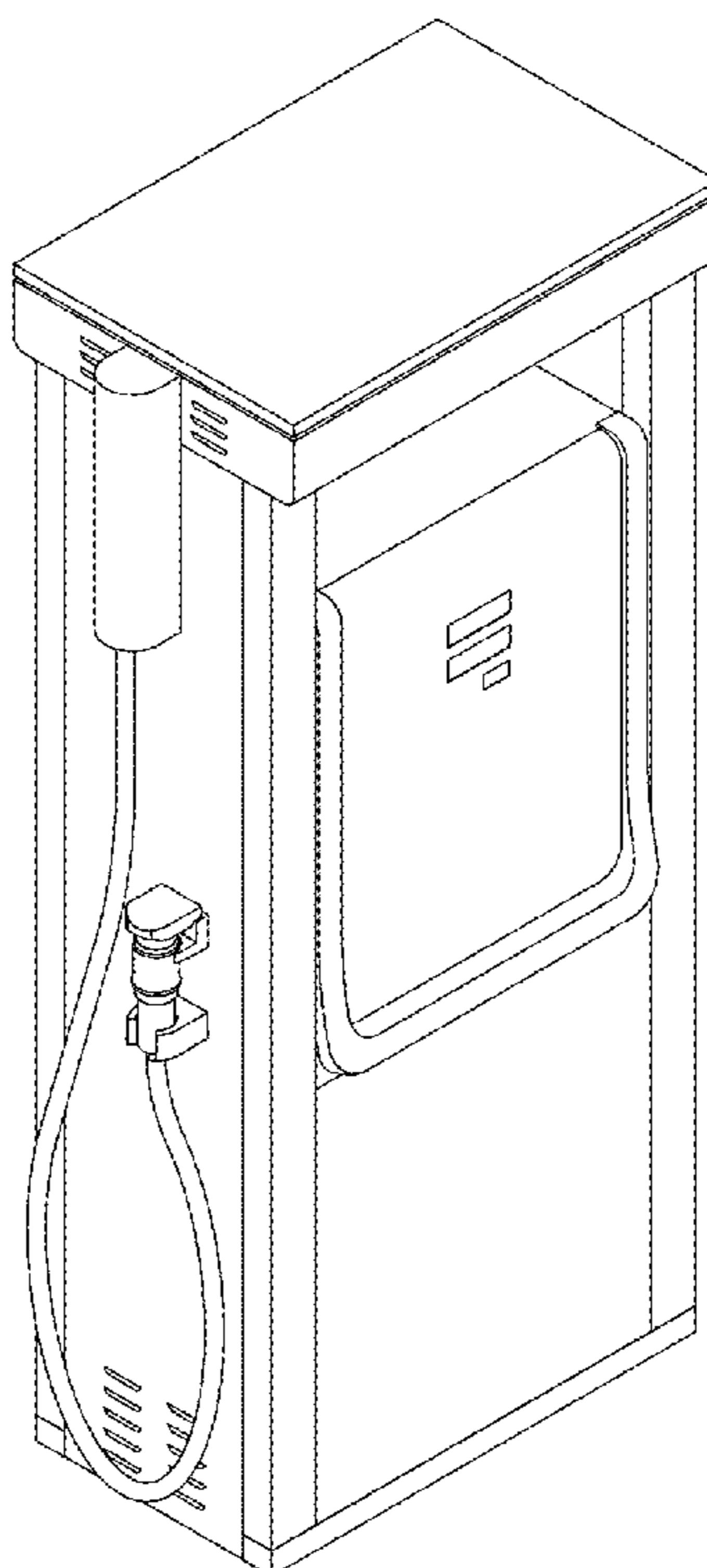
(57) **CLAIM**

The ornamental design for a gas filling apparatus, as shown
and described.

DESCRIPTION

FIG. 1 is a front elevational view of the gas filling apparatus
of the present invention showing our new design;
FIG. 2 is a rear elevational view thereof;
FIG. 3 is a right side elevational view thereof;
FIG. 4 is a left side elevational view thereof;
FIG. 5 is a top plan view thereof;
FIG. 6 is a bottom plan view thereof; and,
FIG. 7 is a top, front perspective view thereof.

1 Claim, 5 Drawing Sheets



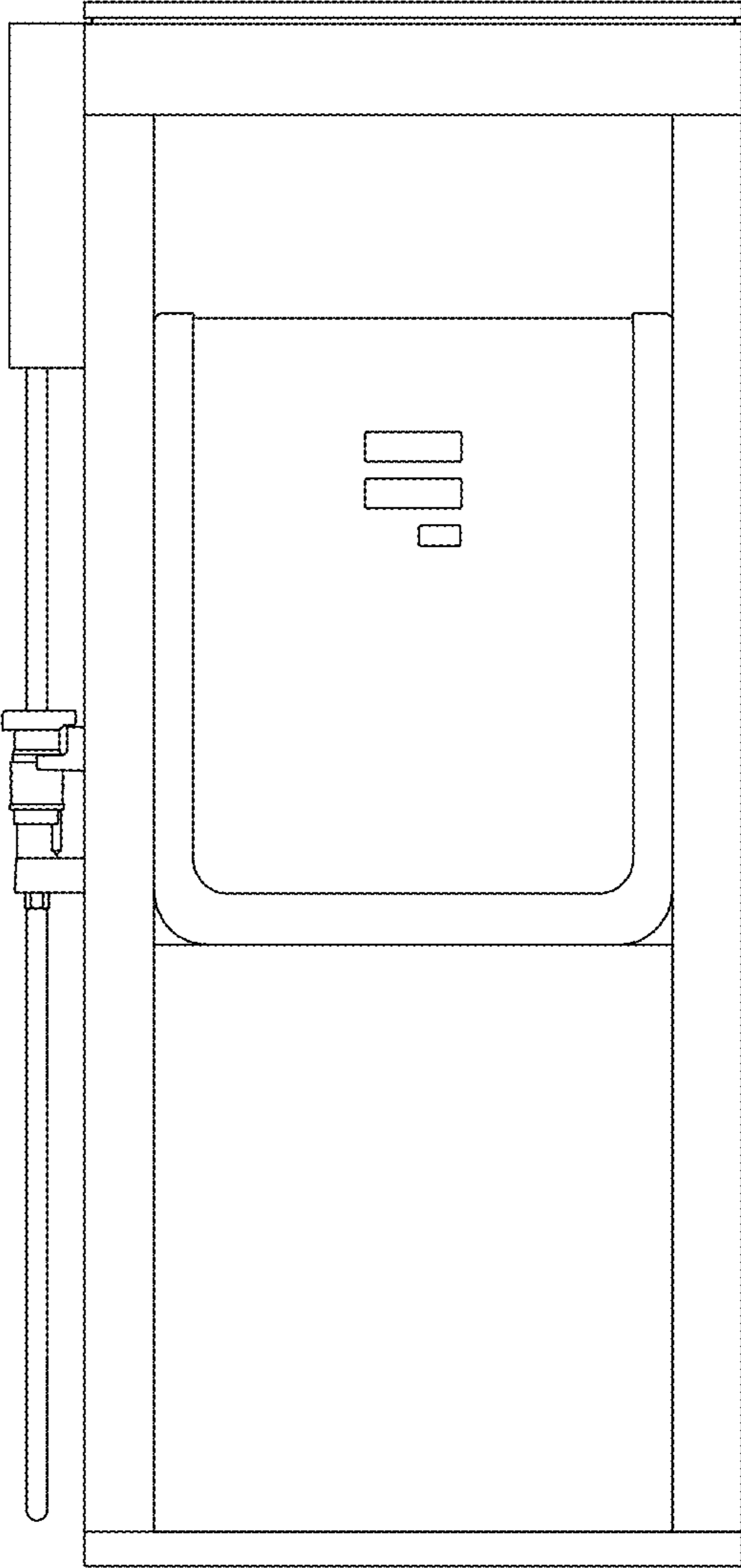


FIGURE 1

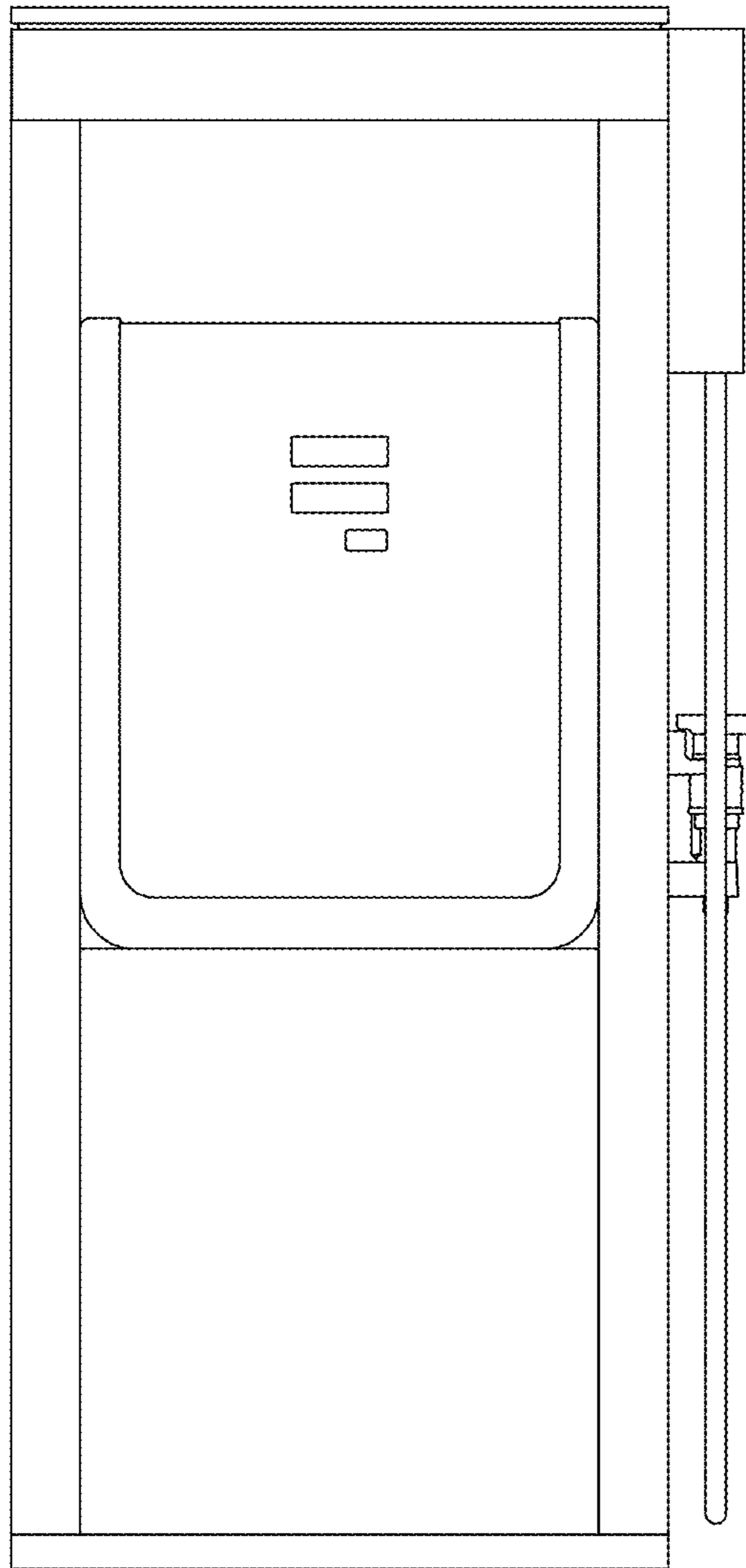


FIGURE 2

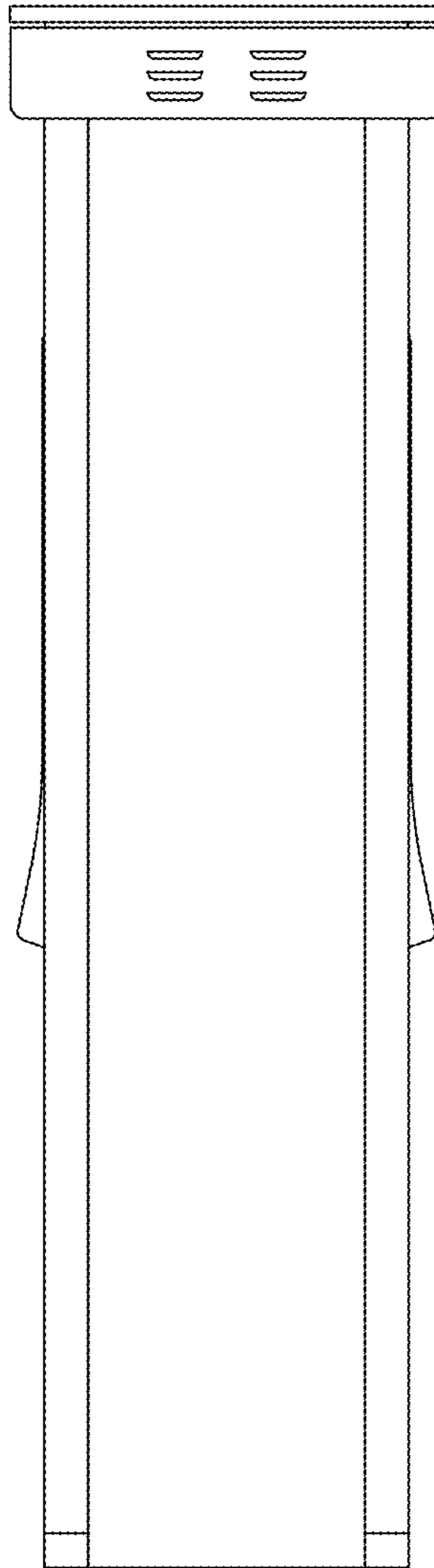


FIGURE 3

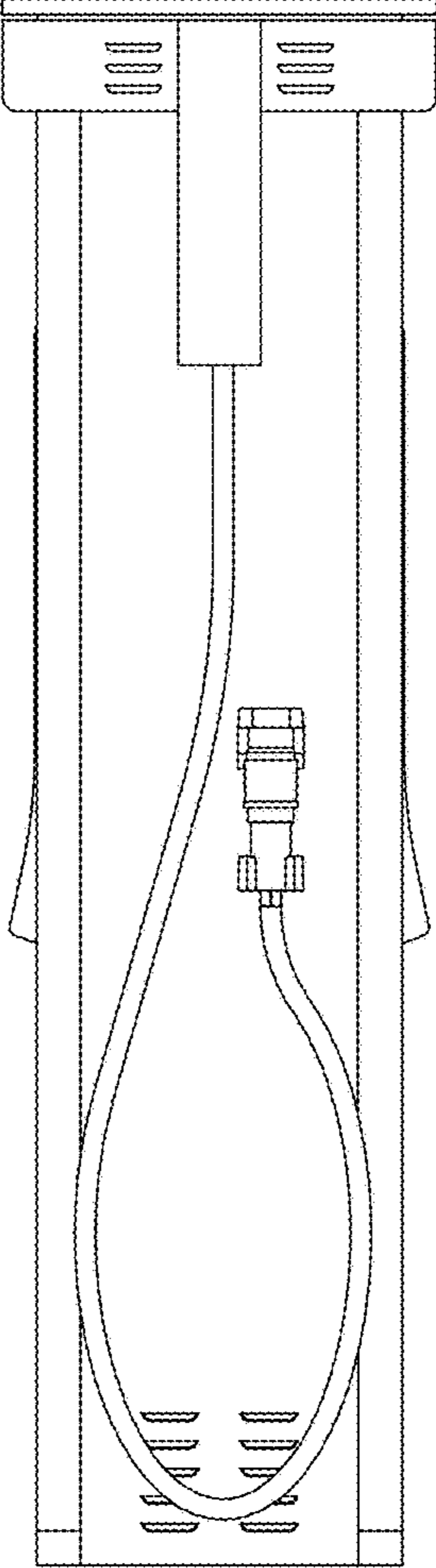


FIGURE 4

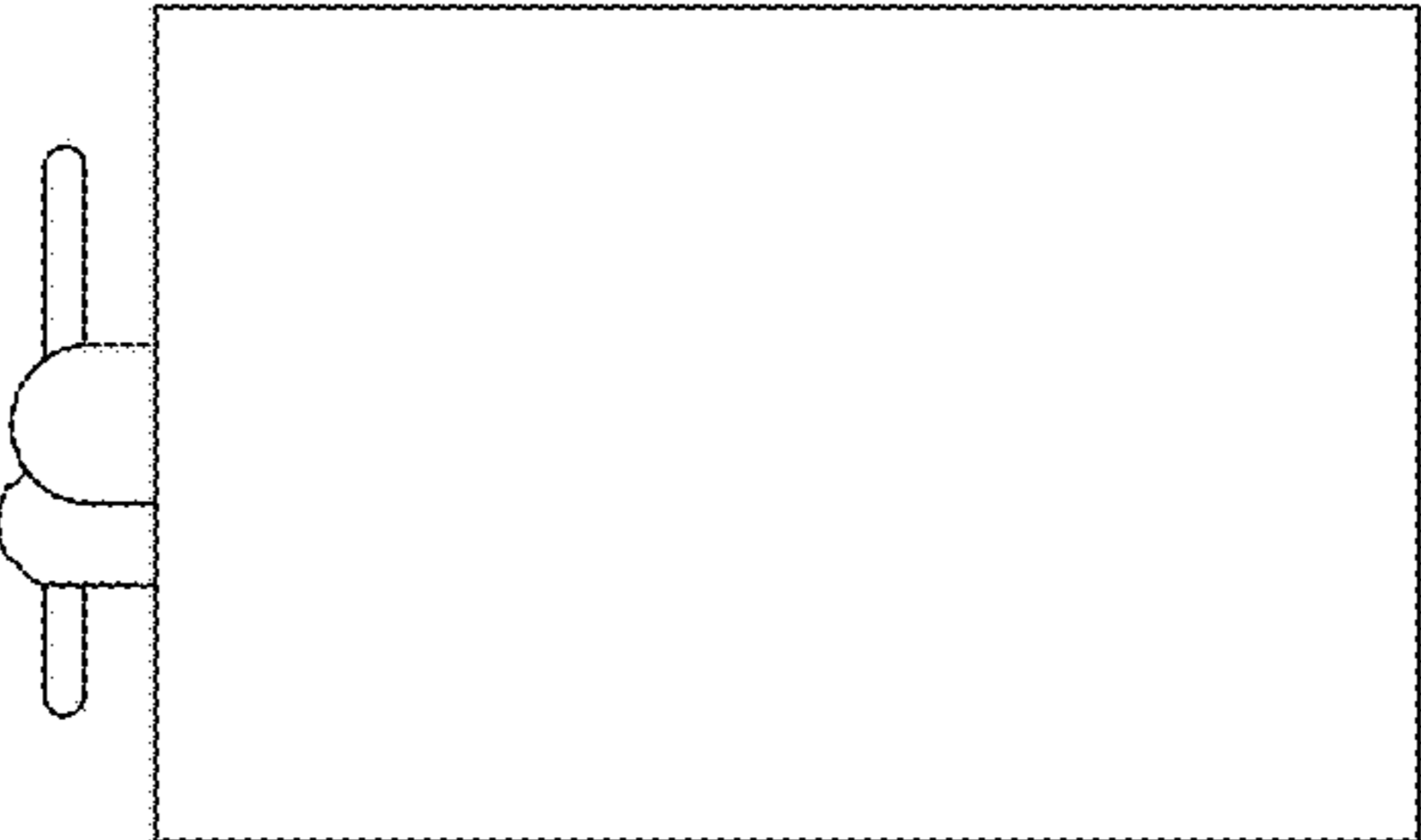


FIGURE 5

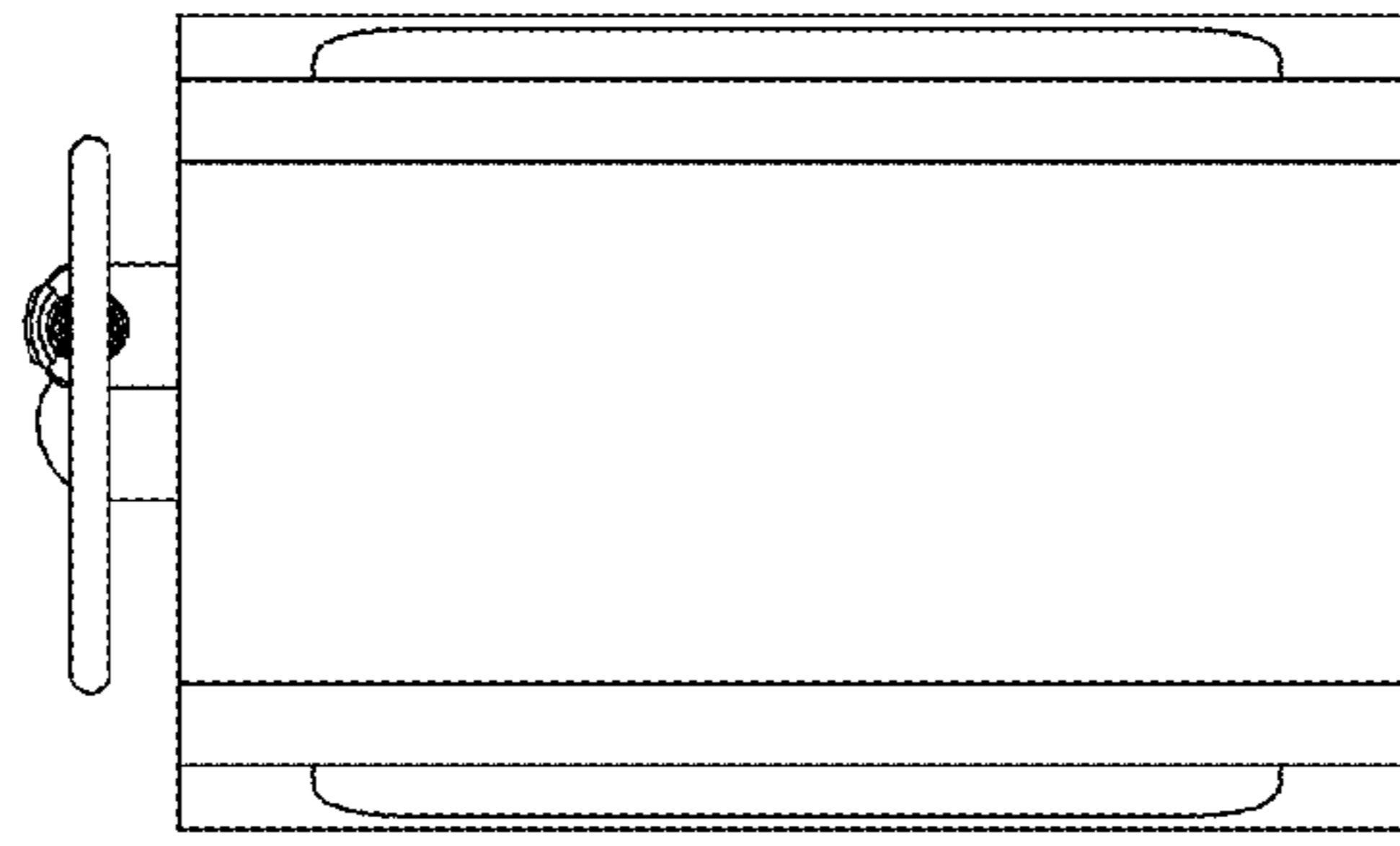


FIGURE 6

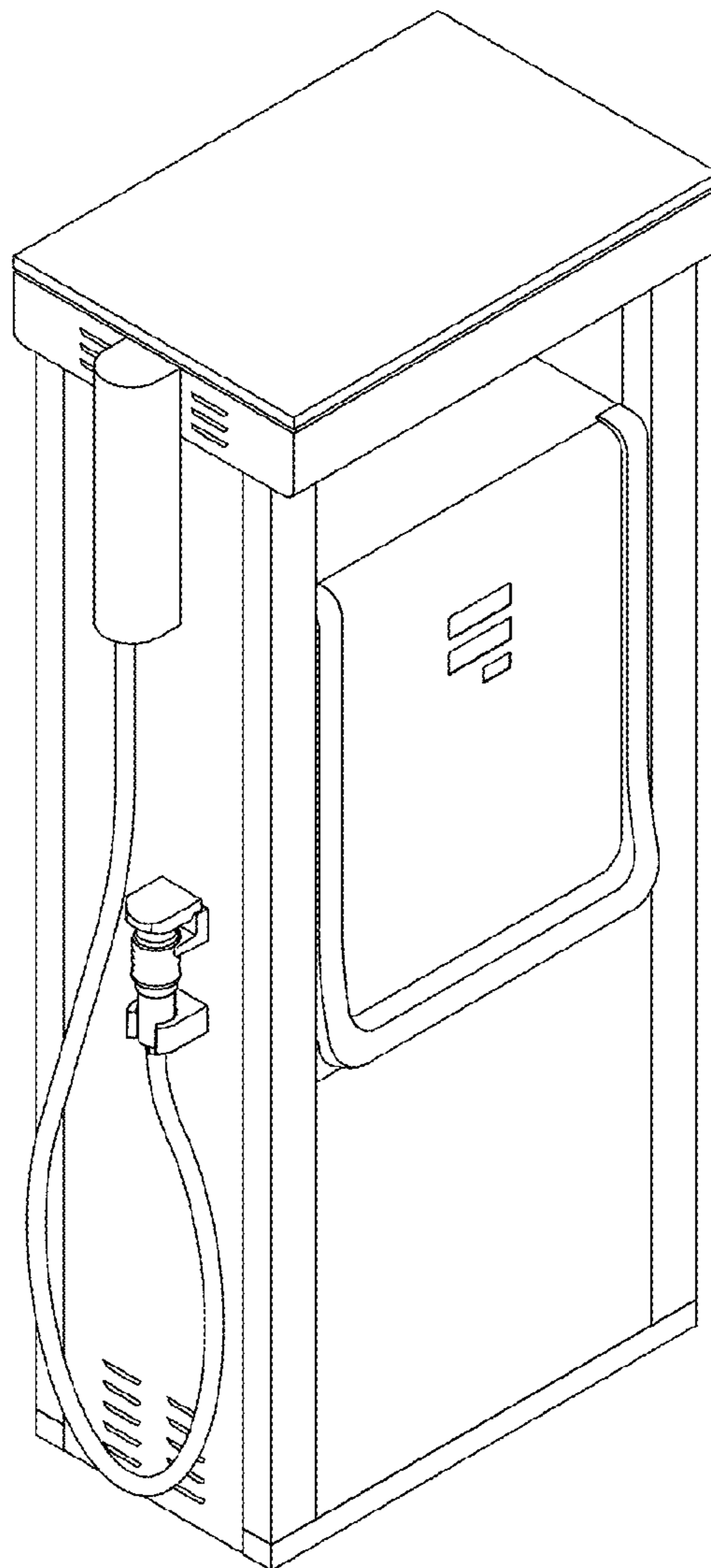


FIGURE 7