



US00D809567S

(12) **United States Design Patent** (10) **Patent No.:** **US D809,567 S**
Lüke (45) **Date of Patent:** **** Feb. 6, 2018**

(54) **PUMP**

(71) Applicant: **OASE GmbH**, Hörstel-Riesenbeck (DE)

(72) Inventor: **Wilfried Lüke**, Schloß Holte-Stukenbrock (DE)

(73) Assignee: **OASE GmbH**, Hörstel-Riesenbeck (DE)

(**) Term: **15 Years**

(21) Appl. No.: **29/563,470**

(22) Filed: **May 5, 2016**

(30) **Foreign Application Priority Data**

Nov. 5, 2015 (EM) 002848135-0002

(51) **LOC (11) Cl.** **15-02**

(52) **U.S. Cl.**
USPC **D15/7**

(58) **Field of Classification Search**
USPC D15/7-9; D23/231, 232, 225; 417/60, 417/235, 265, 321, 355, 358, 363, 359, 417/410.1, 415-416, 405, 900, 269, 539; 60/408, 412; 184/26-37; 415/140-147; 123/495, 509; 137/565.34
CPC F02M 37/04; F02M 37/14; F04B 53/92; F04B 1/005
See application file for complete search history.

(56) **References Cited**

U.S. PATENT DOCUMENTS

D209,639 S	*	12/1967	Gare	D15/8
D558,234 S	*	12/2007	Dickertmann	D15/7
D562,349 S	*	2/2008	Bulter	D15/9
D595,741 S	*	7/2009	Dickertmann	D15/7
D656,518 S	*	3/2012	Varini	D15/7
D660,320 S	*	5/2012	Varini	D15/7
D684,997 S	*	6/2013	Tatic	D15/7
D700,916 S	*	3/2014	Kieffer	D15/7
D774,102 S	*	12/2016	Ellman	D15/9

* cited by examiner

Primary Examiner — Ralf Seifert

(74) *Attorney, Agent, or Firm* — Gudrun E. Huckett

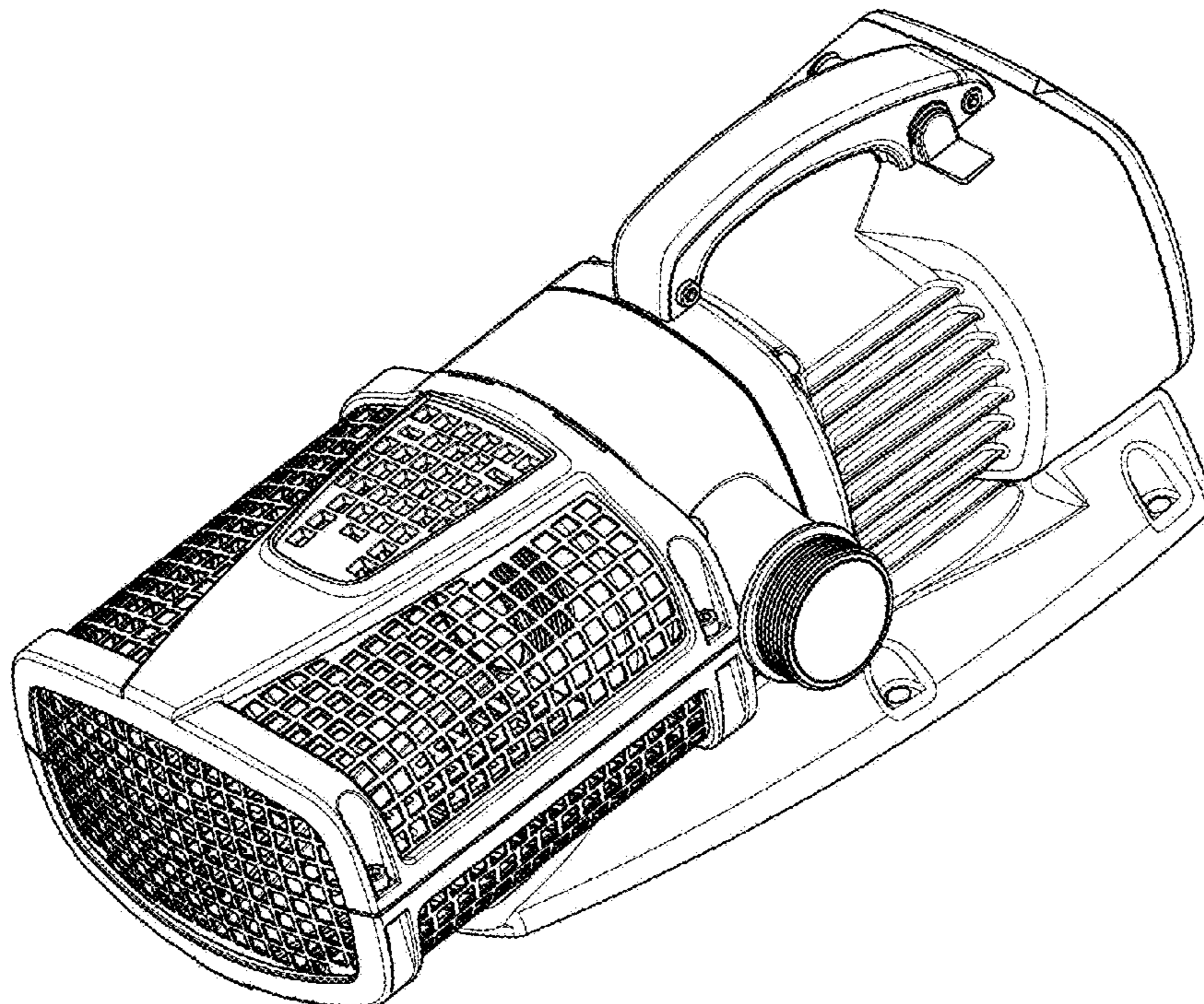
(57) **CLAIM**

The ornamental design for a pump, as shown and described.

DESCRIPTION

FIG. 1 is a perspective front view of a pump showing my new design;
FIG. 2 is a top plan view thereof;
FIG. 3 is a bottom plan view thereof;
FIG. 4 is a front elevational view thereof;
FIG. 5 is a rear elevational view thereof;
FIG. 6 is a left elevational view thereof; and,
FIG. 7 is a right elevational view thereof.
The broken lines are included for the purpose of illustrating portions of the pump that form no part of the claimed design.

1 Claim, 7 Drawing Sheets



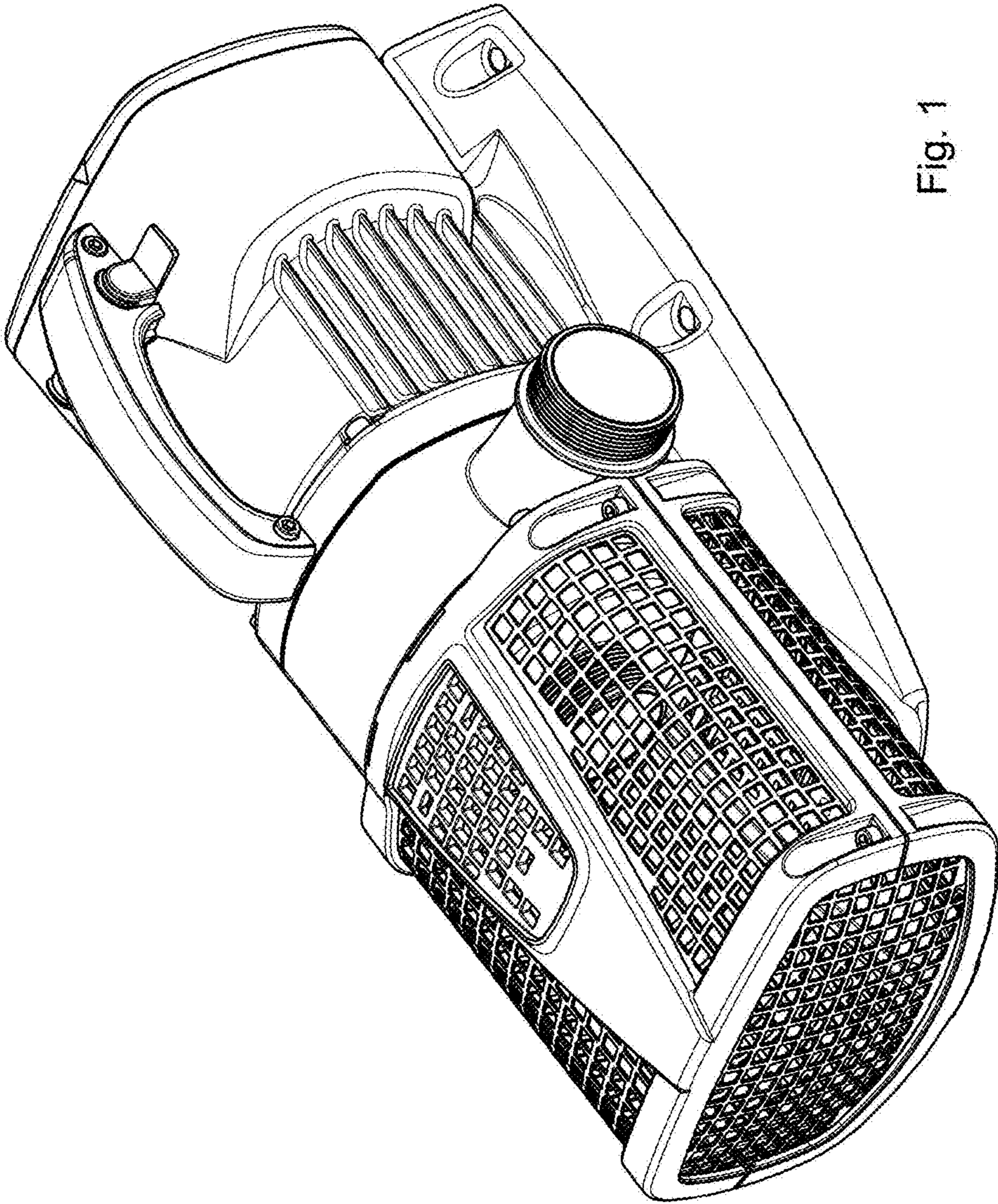


Fig. 1

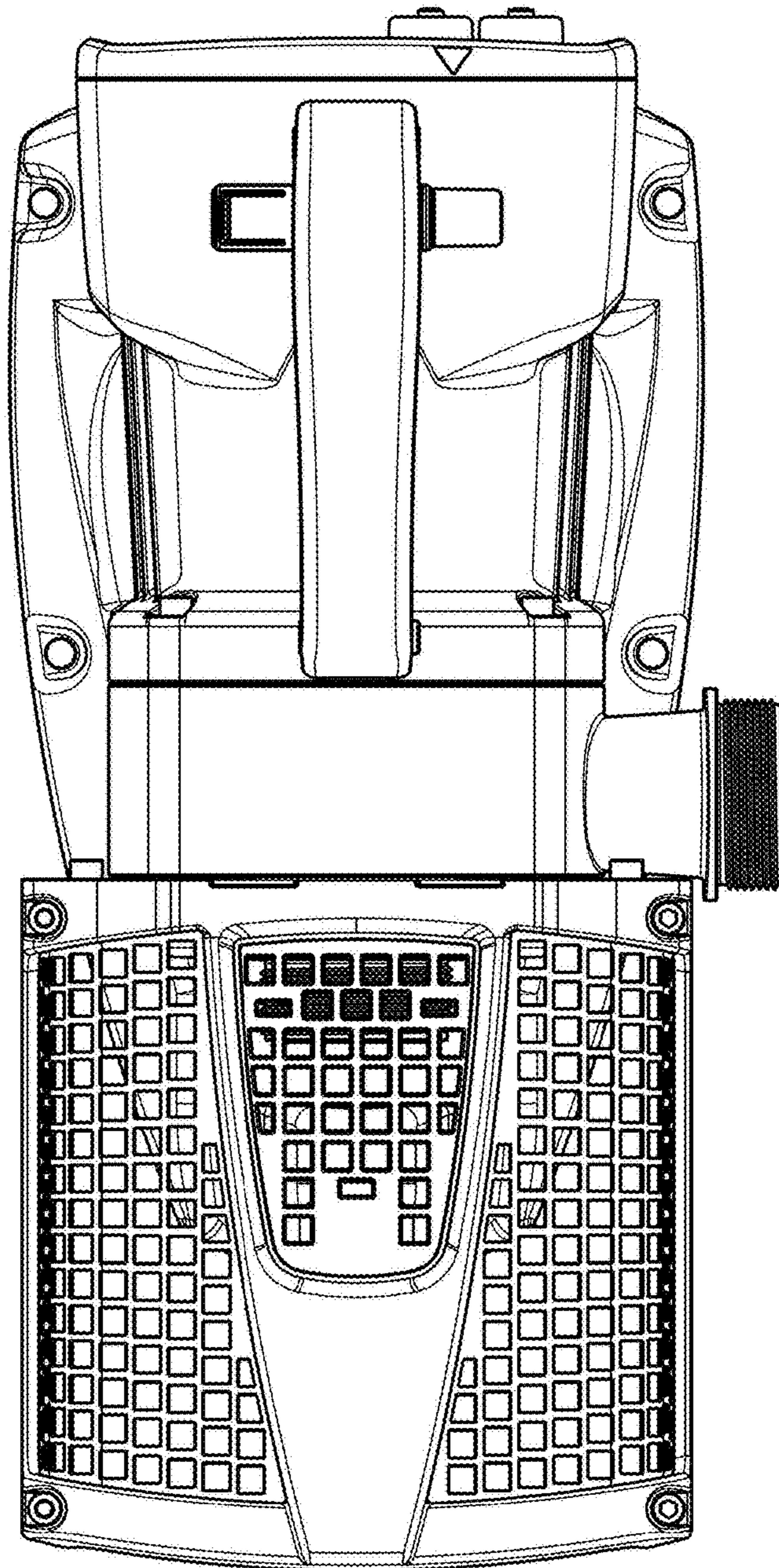


Fig. 2

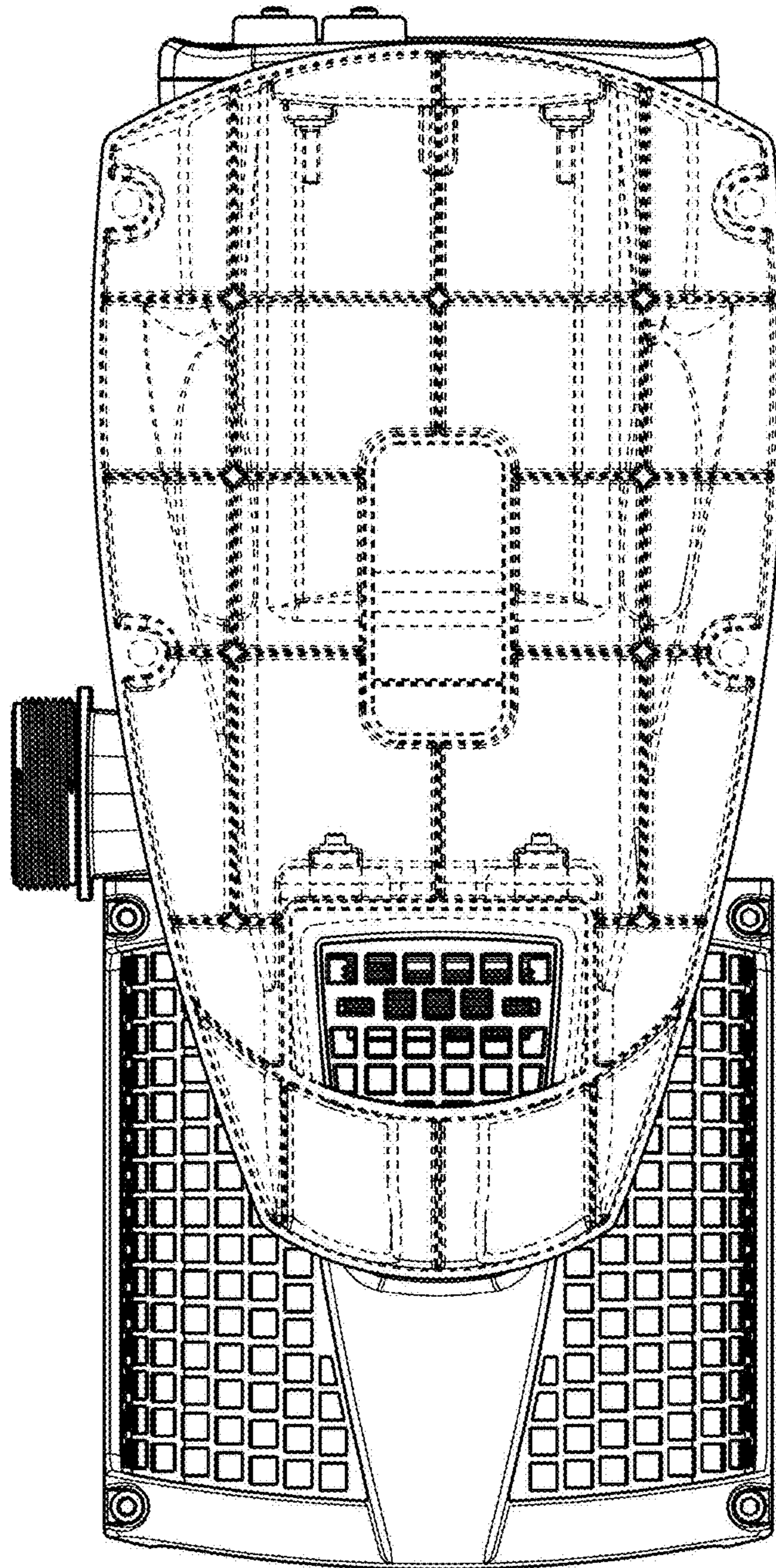


Fig. 3

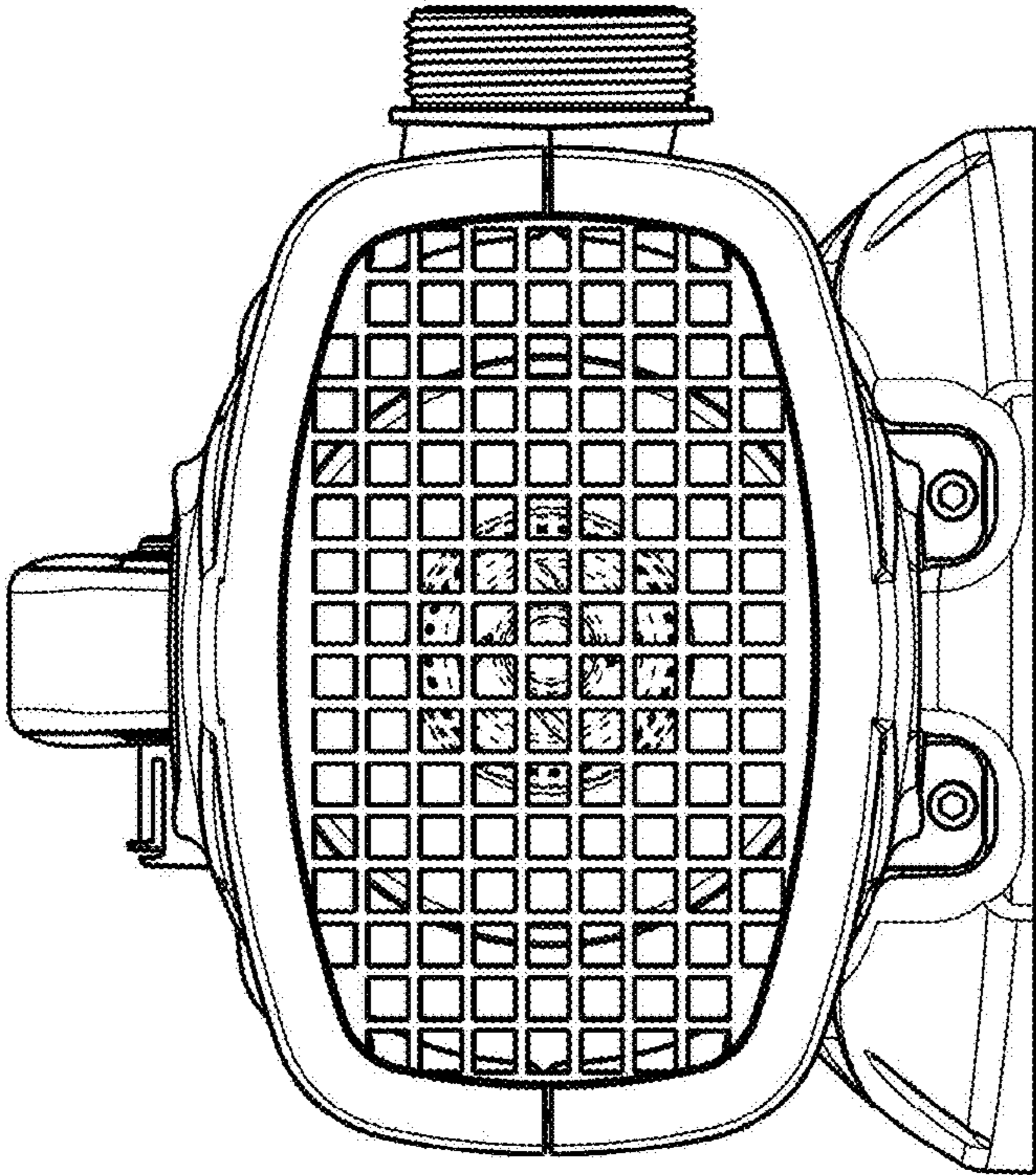


Fig. 4

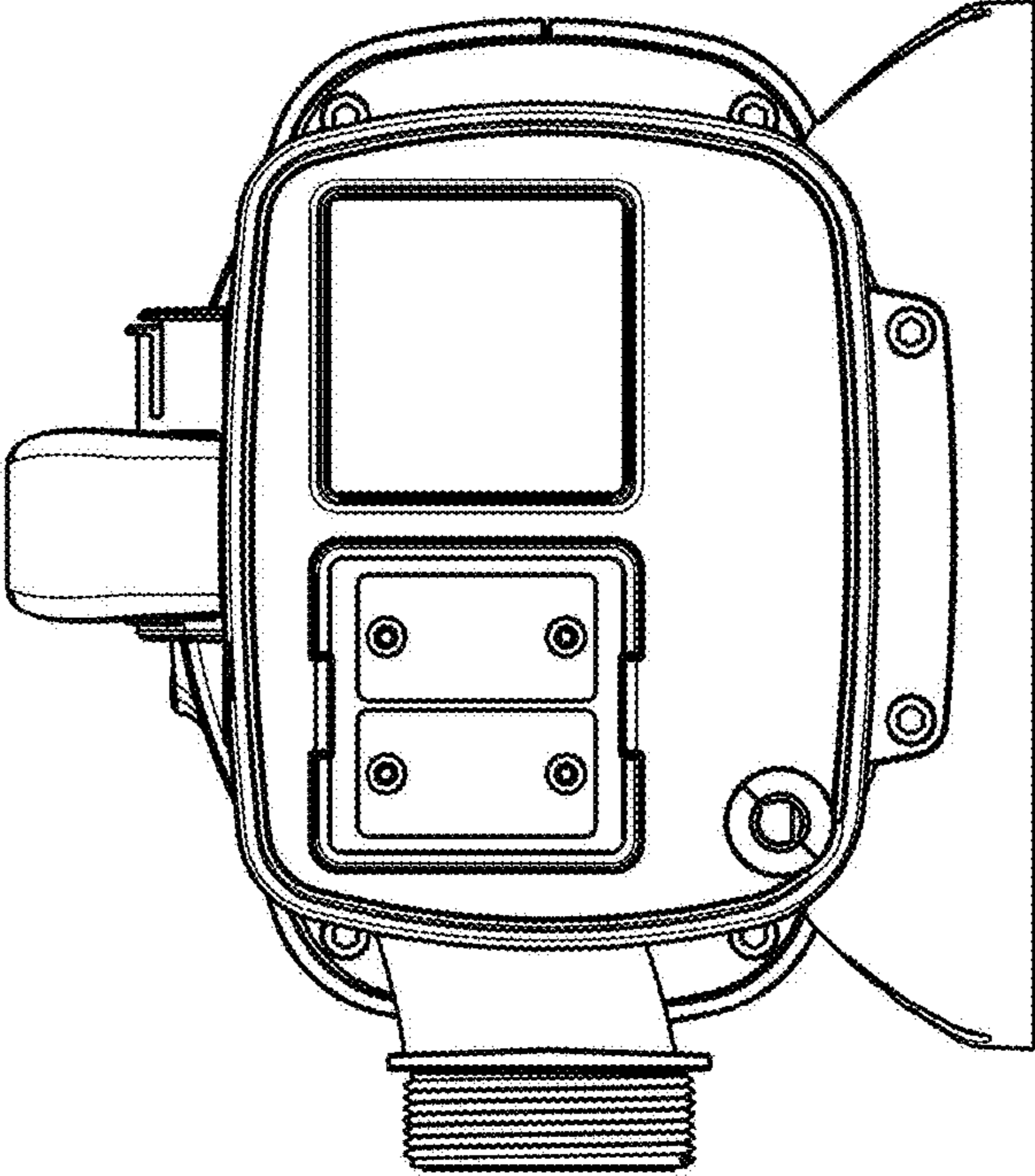


Fig. 5

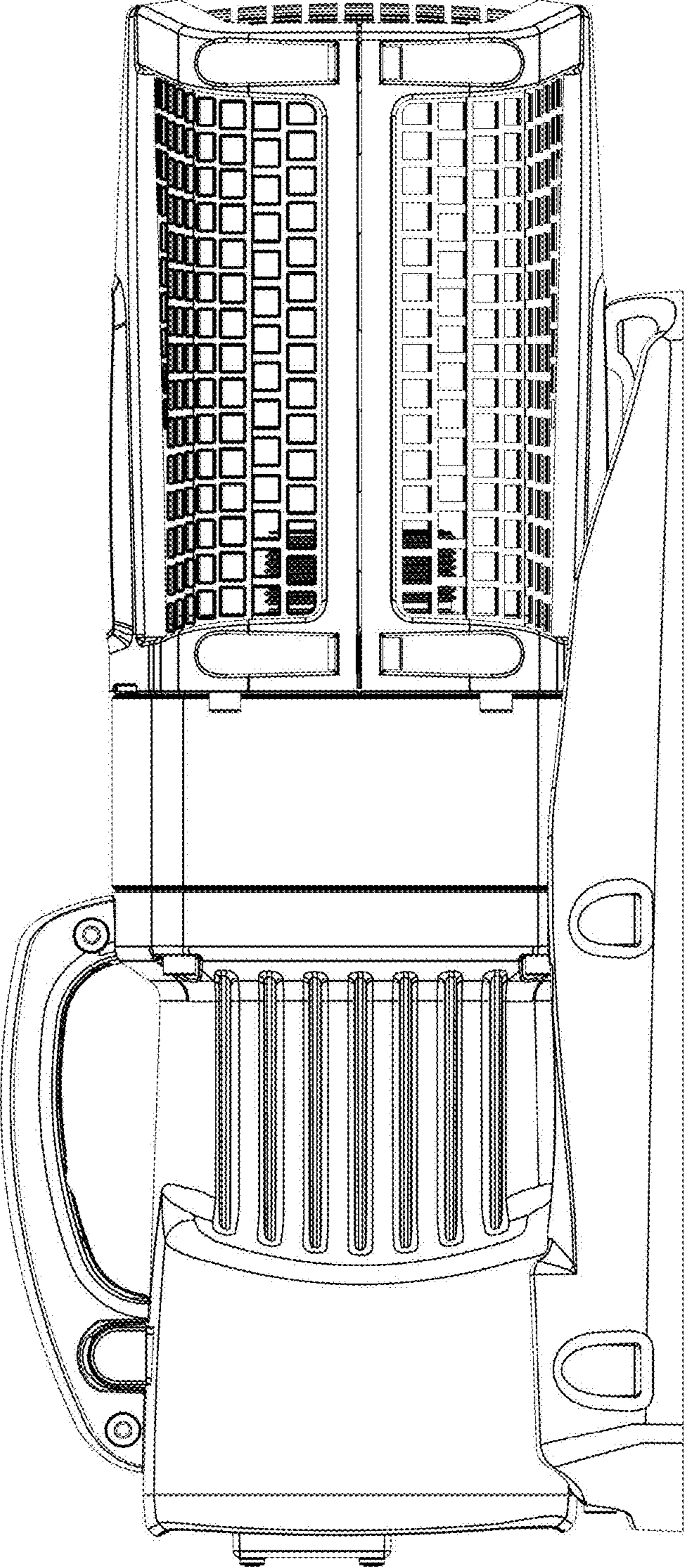


Fig. 6

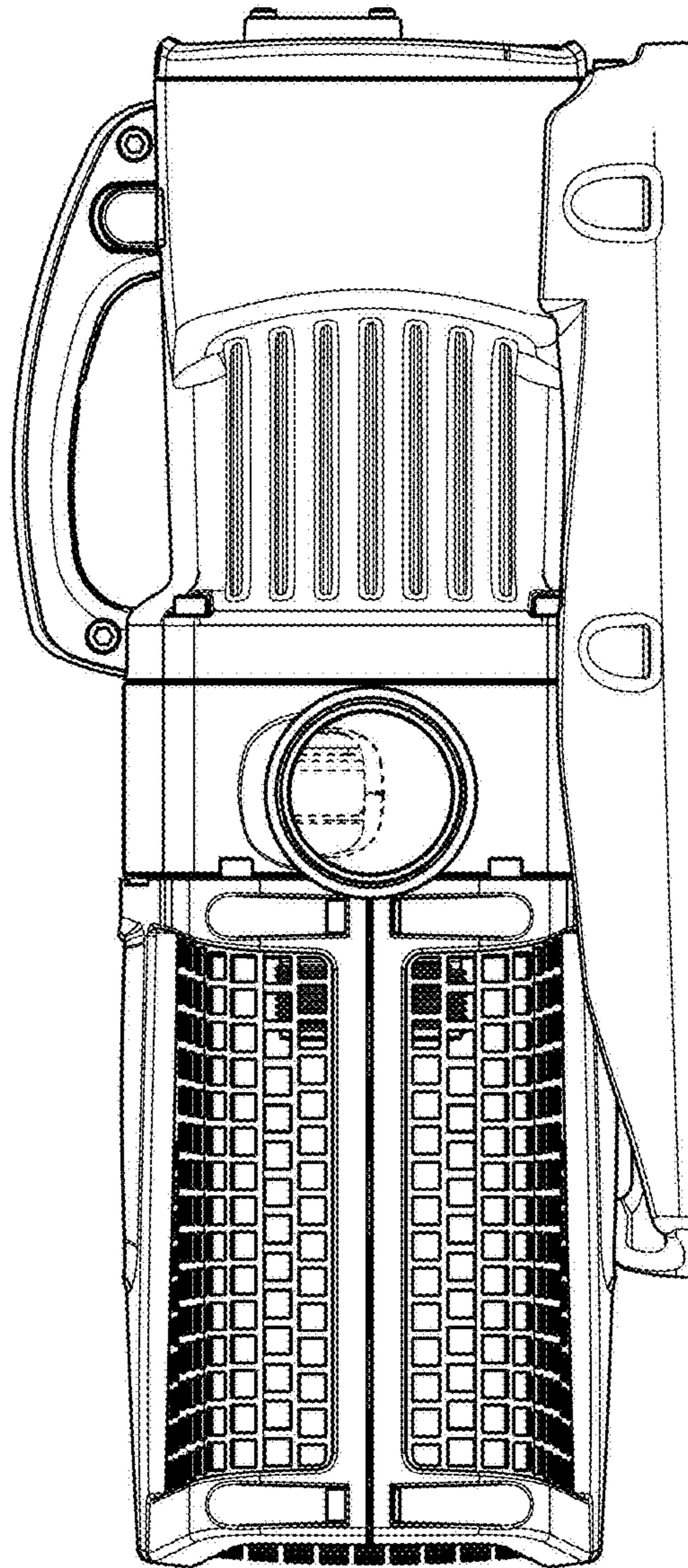


Fig. 7