

US00D809541S

(12) **United States Design Patent** (10) **Patent No.:** **US D809,541 S**
Makowski et al. (45) **Date of Patent:** **** Feb. 6, 2018**

(54) **DISPLAY WITH GRAPHICAL USER INTERFACE**

(71) Applicant: **Sartorius Stedim Biotech GmbH**,
Göttingen (DE)

(72) Inventors: **Kai Makowski**, Spangenberg (DE);
Reinhold Ried, Melsungen (DE);
Hans-Juergen Geyer, Kassel (DE)

(73) Assignee: **Sartorius Stedim Biotech GmbH**,
Göttingen (DE)

(**) Term: **15 Years**

(21) Appl. No.: **29/573,788**

(22) Filed: **Aug. 9, 2016**

Related U.S. Application Data

(62) Division of application No. 29/512,761, filed on Dec. 22, 2014, now Pat. No. Des. 776,143.

(30) **Foreign Application Priority Data**

Jun. 23, 2014 (EM) 002487694-0001
Jun. 23, 2014 (EM) 002487694-0002
Jun. 23, 2014 (EM) 002487694-0003
Jun. 23, 2014 (EM) 002487694-0004
Jun. 23, 2014 (EM) 002487694-0005
Jun. 23, 2014 (EM) 002487694-0006

(51) **LOC (11) Cl.** **14-04**

(52) **U.S. Cl.**
USPC **D14/486; D14/492**

(58) **Field of Classification Search**
USPC D14/485-495
CPC B61C 11/04; B64C 29/00; G06F 3/04817;
G06F 3/0482; G06F 2203/04807; G06T
15/02; G06T 13/80; H04M 1/2477; H04N
1/00424
See application file for complete search history.

(56) **References Cited**

U.S. PATENT DOCUMENTS

D415,138 S 10/1999 Meyers
6,002,403 A * 12/1999 Sugiyama G06F 3/04815
715/717

D455,758 S 4/2002 Buzzard et al.
(Continued)

OTHER PUBLICATIONS

Cell.com | Trends in Biotechnology | Single-use disposable technologies for biopharmaceutical manufacturing, published on Mar. 2013 by Abhinav A. Shukla, © 2017 Elsevier Inc., [online], [site visited Sep. 28, 2017]. Available from Internet, <URL: [http://www.cell.com/trends/biotechnology/fulltext/S0167-7799\(12\)00169-2/](http://www.cell.com/trends/biotechnology/fulltext/S0167-7799(12)00169-2/)>.*

(Continued)

Primary Examiner — Philip S Hyder

Assistant Examiner — Cary M Robinson

(74) *Attorney, Agent, or Firm* — McCoy Russell LLP

(57) **CLAIM**

The ornamental design for a display with graphical user interface, as shown and described.

DESCRIPTION

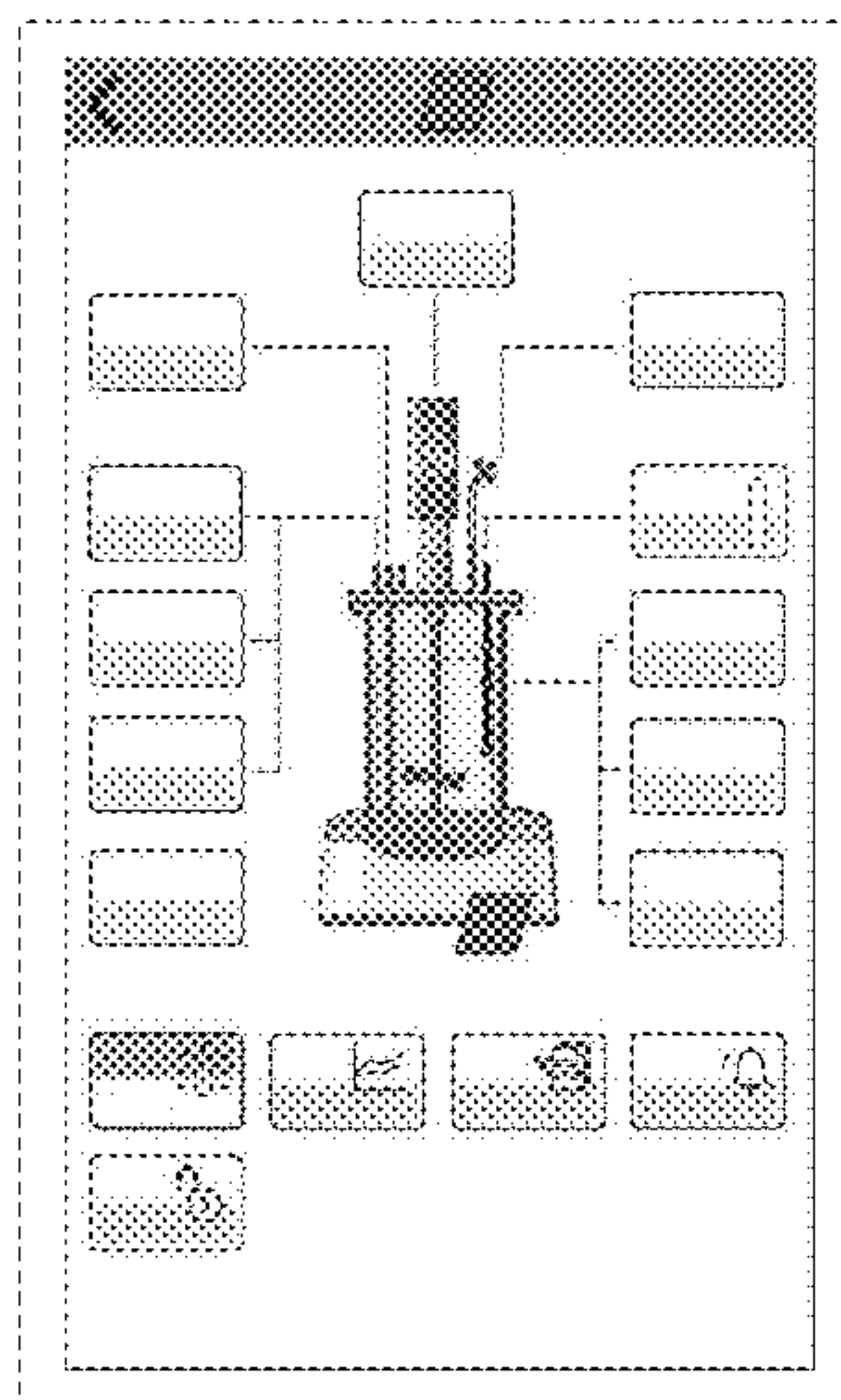
This application contains at least one drawing executed in color. Copies of this patent or patent application publication with color drawing(s) will be provided by the Office upon request and payment of the necessary fee.

FIG. 1 is a front view of a first embodiment of a display with graphical user interface according to the present disclosure; and,

FIG. 2 is a front view of a second embodiment thereof.

The broken line showing the display with graphical user interface is included for the purpose of illustrating environmental structure and forms no part of the claimed design.

1 Claim, 2 Drawing Sheets
(2 of 2 Drawing Sheet(s) Filed in Color)



(56)

References Cited

U.S. PATENT DOCUMENTS

D589,969 S 4/2009 Shibata et al.
 D592,220 S 5/2009 Jasinski
 D614,191 S * 4/2010 Takano D14/486
 D619,609 S 7/2010 Meziere
 7,865,840 B2 * 1/2011 Matsuzawa G06F 15/0225
 715/808
 D635,581 S 4/2011 Blike et al.
 D667,448 S 9/2012 Phelan
 D667,838 S * 9/2012 Magee D14/486
 D678,306 S * 3/2013 Philopoulos D14/486
 D681,656 S * 5/2013 Lawrence D14/486
 D694,256 S 11/2013 Beger et al.
 D700,913 S 3/2014 Kim et al.
 D708,622 S * 7/2014 Jonsson D14/485
 D709,517 S 7/2014 Meegan et al.
 D733,733 S * 7/2015 Bae D14/486
 D749,621 S 2/2016 Gerhan et al.
 D751,106 S * 3/2016 Chetan D14/486
 D751,592 S 3/2016 Link
 D753,161 S 4/2016 Utsugida et al.
 9,330,507 B2 * 5/2016 Alberry G07C 5/0825
 9,336,827 B2 * 5/2016 Helm G11B 27/105
 D759,042 S * 6/2016 Heeter D14/485
 9,361,002 B2 6/2016 Enkerud et al.
 D791,797 S * 7/2017 Samarin D14/486
 2002/0109710 A1 * 8/2002 Holtz G06F 3/1431
 715/723
 2003/0091329 A1 * 5/2003 Nakata G11B 27/034
 386/281
 2003/0161763 A1 * 8/2003 Erden B01J 3/04
 422/130
 2005/0251748 A1 * 11/2005 Gusmorino G06F 3/0481
 715/713

2006/0036568 A1 * 2/2006 Moore G06F 17/30126
 2007/0082387 A1 * 4/2007 Felder C02F 3/34
 435/168
 2009/0263316 A1 * 10/2009 Iyer C01B 3/38
 423/658.3
 2010/0235746 A1 * 9/2010 Anzures G06F 3/04883
 715/723
 2010/0281375 A1 * 11/2010 Pendergast G11B 27/034
 715/723
 2010/0328060 A1 12/2010 Chen et al.
 2012/0124677 A1 * 5/2012 Hoogerwerf G06F 3/04883
 726/29
 2013/0086519 A1 * 4/2013 Fino G06Q 30/02
 715/810
 2014/0108985 A1 4/2014 Scott et al.
 2014/0298192 A1 10/2014 Biradar et al.
 2015/0227961 A1 * 8/2015 Chetan G06Q 30/0242
 705/14.41

OTHER PUBLICATIONS

Peltier, R., "Upgraded Control System Adds to Merchant Plant's Bottom Line," Power Magazine Website, Available Online at <http://www.powermag.com/upgraded-control-system-adds-to-merchant-plants-bottom-line/?printmode=1>, Jan. 1, 2009, 10 pages.
 Sprague, J., "Considerations When Upgrading Gas Turbine HMIs," Power Magazine Website, Available Online at <http://www.powermag.com/considerations-when-upgrading-gas-turbine-hmis/?printmode=1>, Sep. 1, 2013, 8 pages.
 "Video Tutorial for Emerson's Essential Asset Monitoring Software—Cooling Tower Module," YouTube Website, Available Online at <https://www.youtube.com/watch?v=D4L6o2w-4qA>, Aug. 8, 2014, 1 page.

* cited by examiner

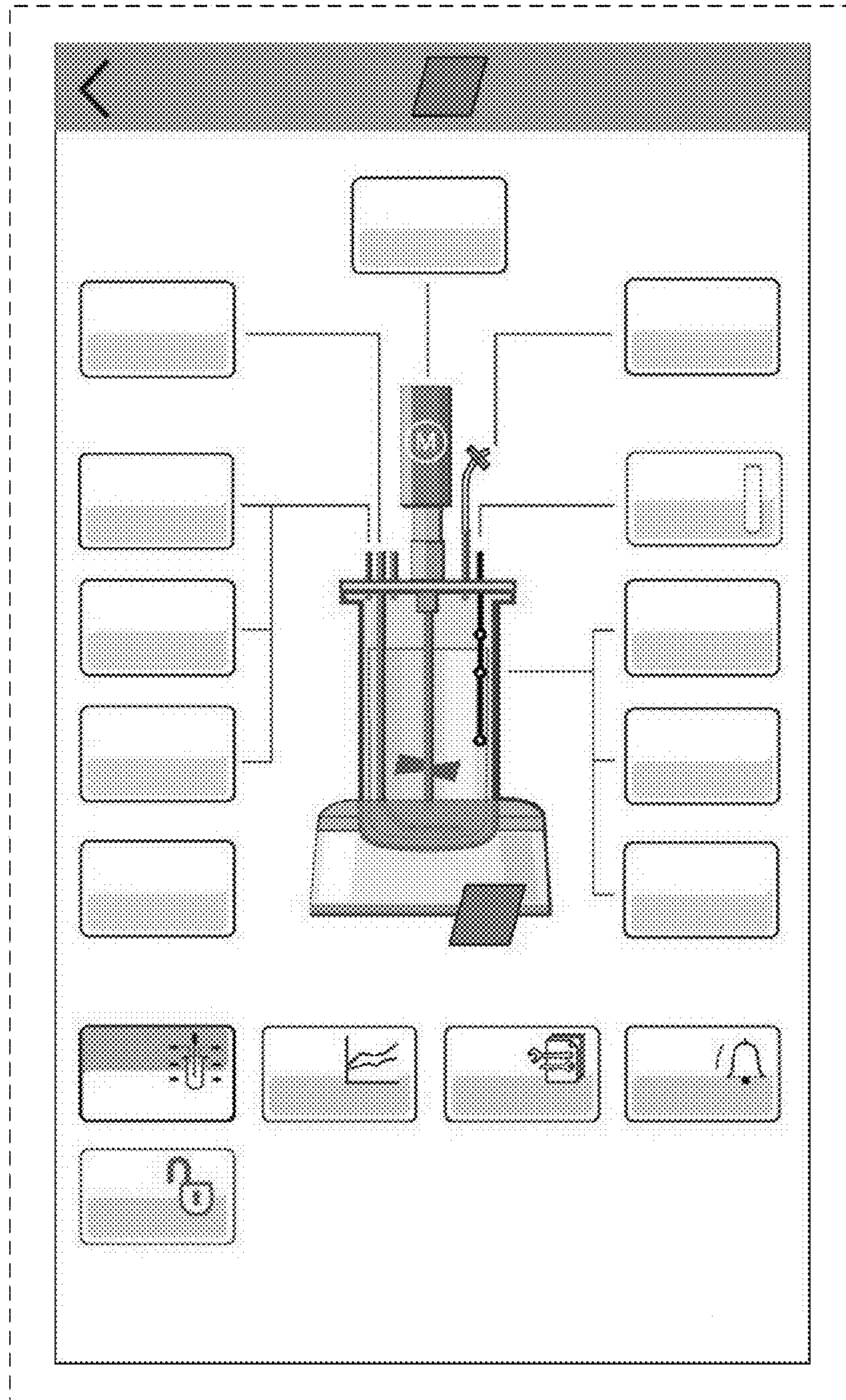


FIG. 1

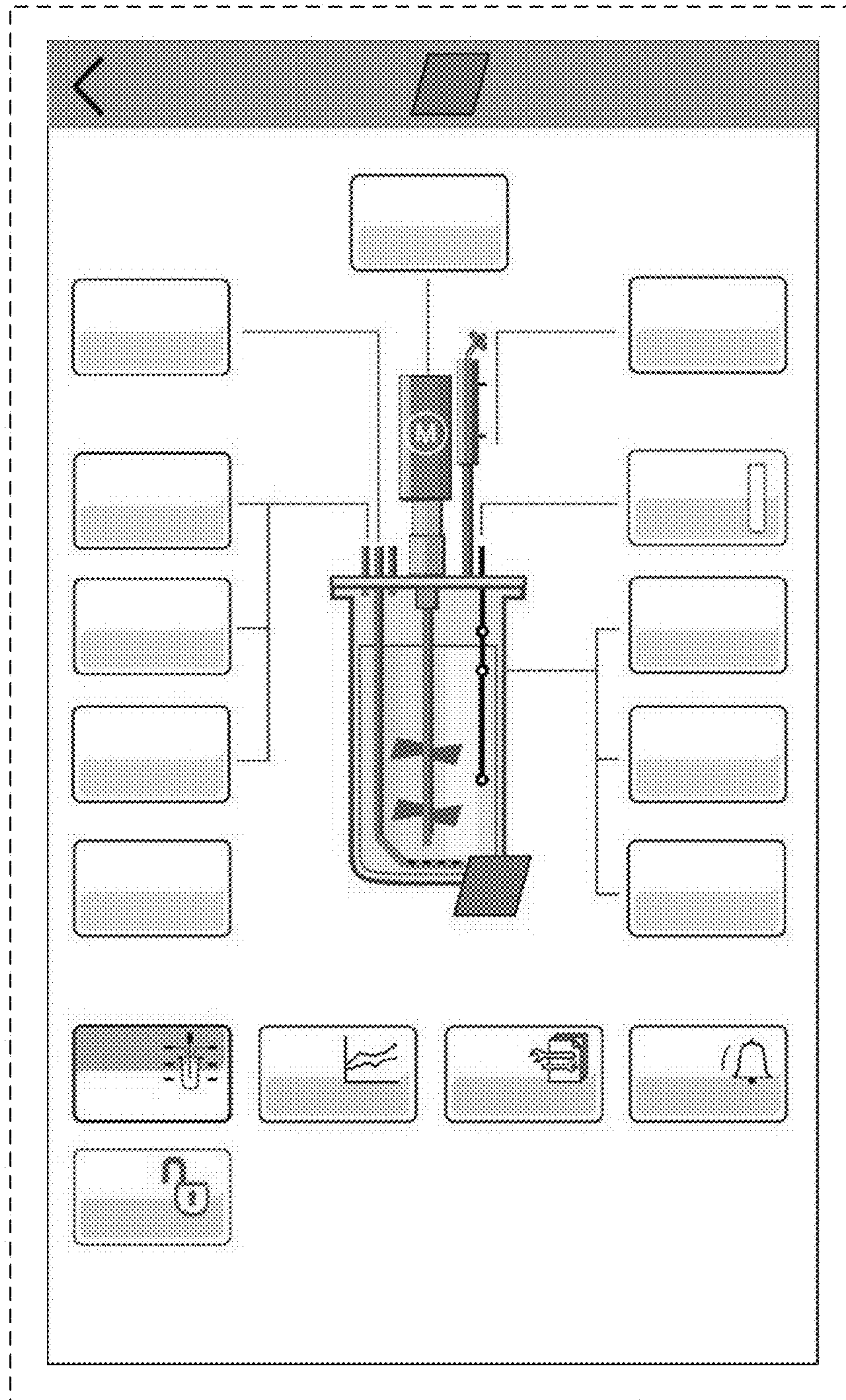


FIG. 2