



US00D809537S

(12) **United States Design Patent** (10) **Patent No.:** **US D809,537 S**  
**Cross et al.** (45) **Date of Patent:** **\*\* Feb. 6, 2018**

(54) **CONTROL PANEL FOR APPLIANCE WITH EMBEDDED DISPLAY SCREEN HAVING A GRAPHICAL USER INTERFACE**

*Primary Examiner* — Karen E Kearney  
*Assistant Examiner* — Debra A Callahan  
(74) *Attorney, Agent, or Firm* — Price Heneveld LLP

(71) Applicant: **Whirlpool Corporation**, Benton Harbor, MI (US)

(57) **CLAIM**

(72) Inventors: **Amy Cross**, Coloma, MI (US); **Estela Duhart**, St. Joseph, MI (US); **Brandon Satanek**, Stevensville, MI (US); **Wen Shi**, Stevensville, MI (US)

The ornamental design for a control panel for appliance with embedded display screen having a graphical user interface, as shown and described.

(73) Assignee: **Whirlpool Corporation**, Benton Harbor, MI (US)

**DESCRIPTION**

(\*\*) Term: **15 Years**

FIG. 1 is a front perspective view of a control panel for appliance with graphical user interface according to a first embodiment of our design;

(21) Appl. No.: **29/531,967**

FIG. 2 is a front view thereof;

(22) Filed: **Jun. 30, 2015**

FIG. 3 is an enlarged partial view showing the graphical user interface of the control panel for appliance with embedded display screen having a graphical user interface of FIG. 1;

(51) **LOC (11) Cl.** ..... **14-04**

(52) **U.S. Cl.**  
USPC ..... **D14/486**

FIG. 4 is a front perspective view of a control panel for appliance with embedded display screen having a graphical user interface according to a second embodiment of our design;

(58) **Field of Classification Search**  
USPC ..... D14/485-489, 493; D7/348, 349, 340, D7/405, 406

CPC . G06F 3/048; G06F 3/00; G06F 3/033; G06F 3/0481; G06F 3/041; G06F 3/04886; G06F 3/0485; G06F 3/0484; G06F 3/04847; G06F 3/0482

FIG. 5 is a front view thereof;

FIG. 6 is a front perspective view of a control panel for appliance with embedded display screen having a graphical user interface according to a third embodiment of our design;

See application file for complete search history.

FIG. 7 is a front view thereof;

(56) **References Cited**

U.S. PATENT DOCUMENTS

6,535,644 B1 *	3/2003	Kurapati	.....	H04N 19/63 375/240.01
D618,488 S	6/2010	Knöchner		
D628,438 S *	12/2010	Knochner	.....	D7/405
D645,703 S	9/2011	Sadtler		
D682,491 S *	5/2013	Kim	.....	D32/2
D721,918 S	2/2015	Glassman et al.		

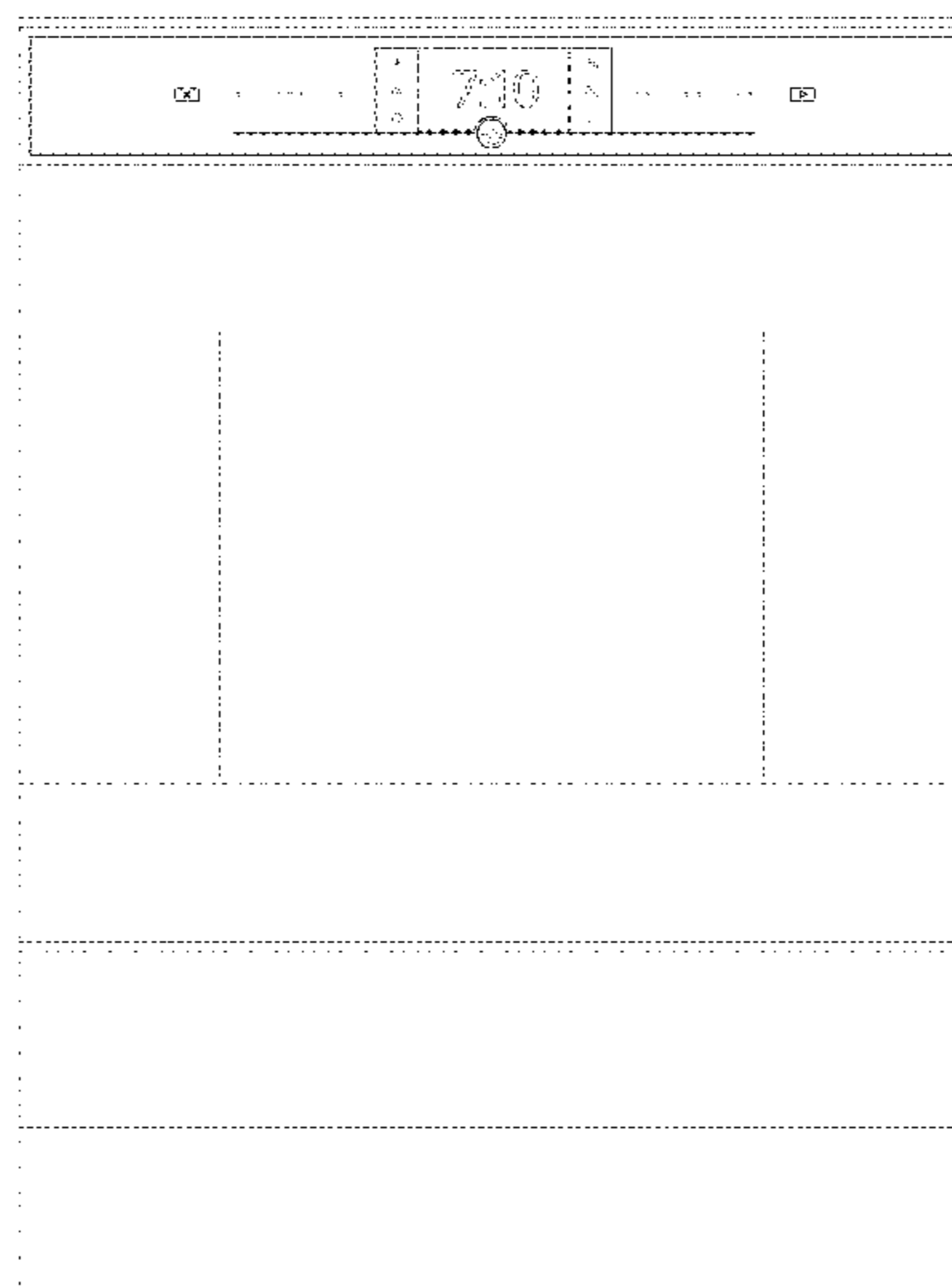
FIG. 8 is a front perspective view of a control panel for appliance with embedded display screen having a graphical user interface according to a fourth embodiment of our design; and,

FIG. 9 is a front view thereof.

The evenly spaced broken lines illustrate portions of the control panel for appliance with embedded display screen having a graphical user interface. The dash-dot-dot broken lines illustrate the boundary of the graphical user interface. None of the broken lines form part of the claimed design.

(Continued)

**1 Claim, 8 Drawing Sheets**



(56)

**References Cited**

U.S. PATENT DOCUMENTS

D728,310	S	5/2015	Börjesson	
D738,887	S *	9/2015	Ma .....	D14/485
D743,997	S *	11/2015	Cardell .....	D14/488
D753,686	S *	4/2016	Vardy .....	D14/486
2006/0181517	A1 *	8/2006	Zadesky .....	G06F 1/1613 345/173
2006/0184966	A1 *	8/2006	Hunleth .....	G06F 3/017 725/39
2011/0153085	A1 *	6/2011	Motamedi .....	D06F 33/00 700/275
2012/0030607	A1 *	2/2012	Michel .....	G06F 3/0238 715/773
2013/0249847	A1 *	9/2013	Goss .....	F24C 7/082 345/173

\* cited by examiner

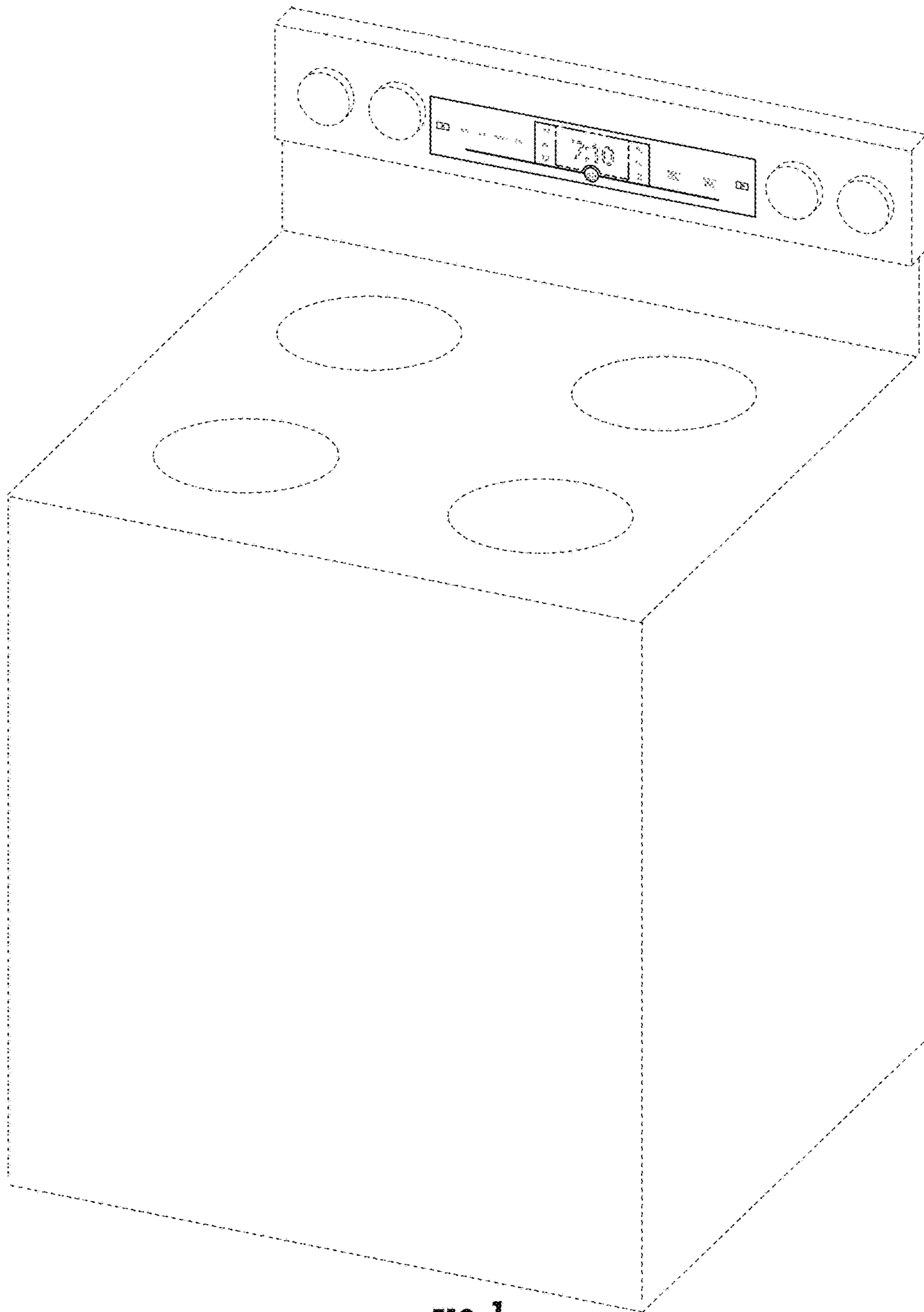


FIG. 1

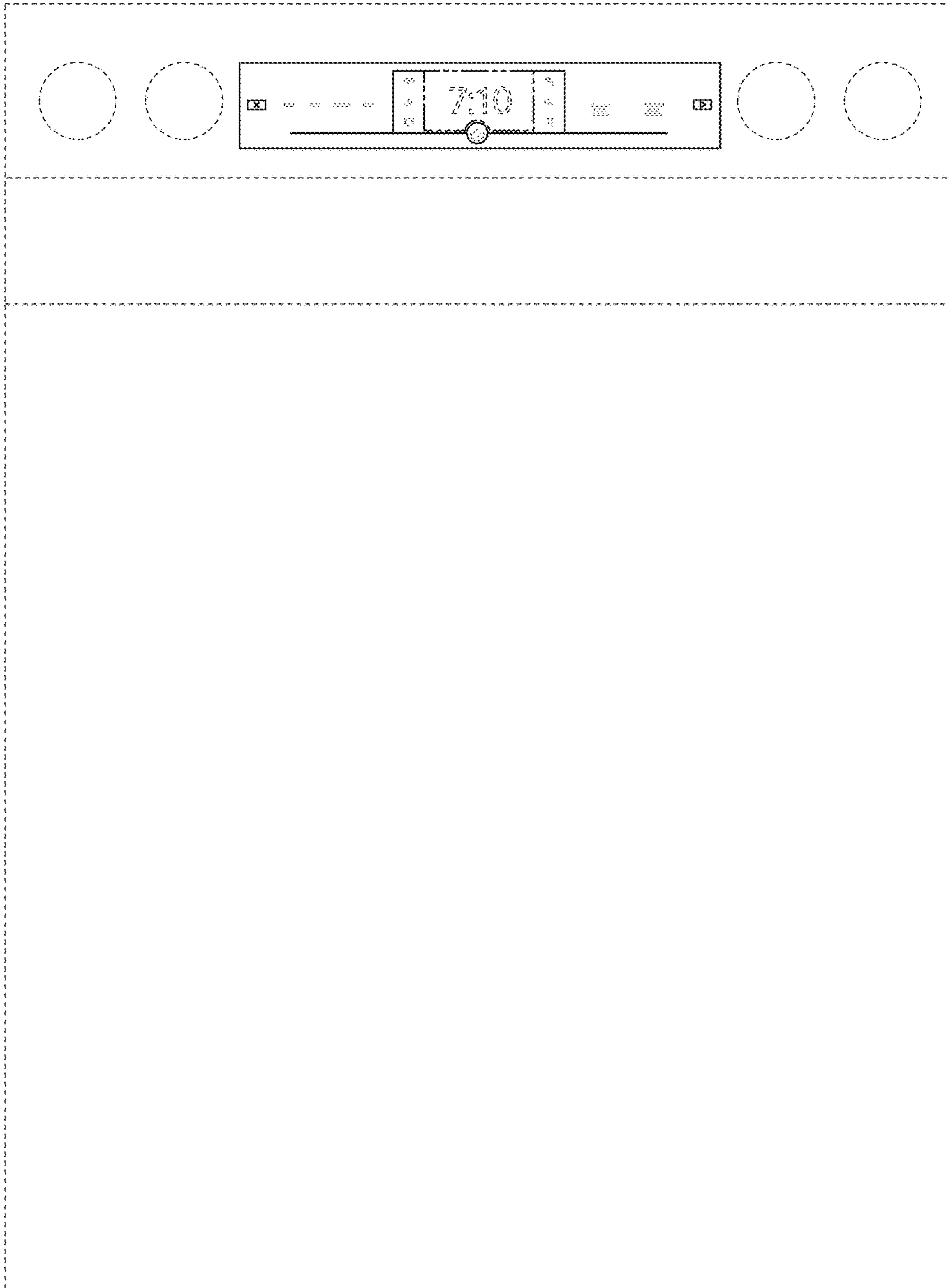
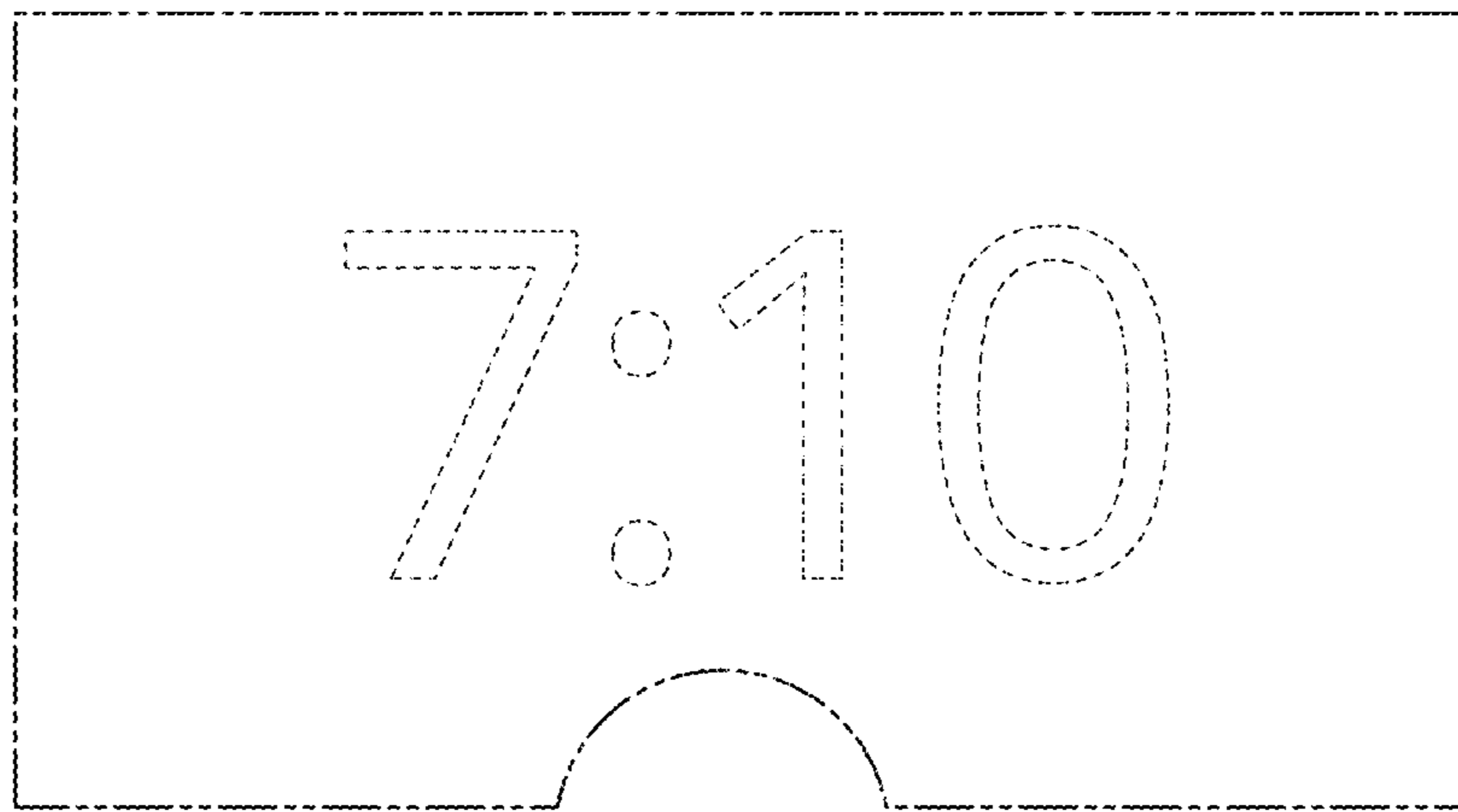


FIG. 2



**FIG. 3**

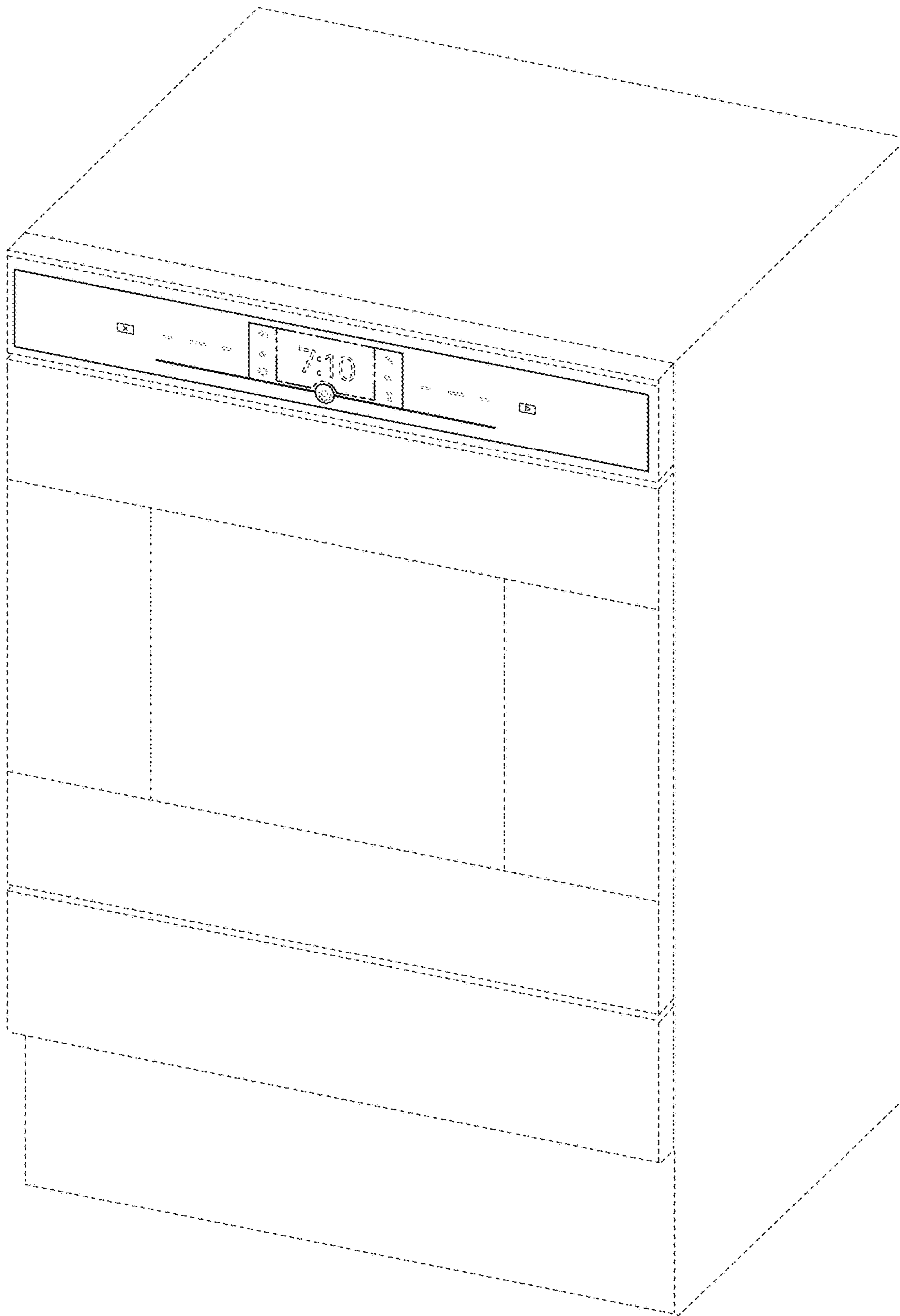


FIG. 4

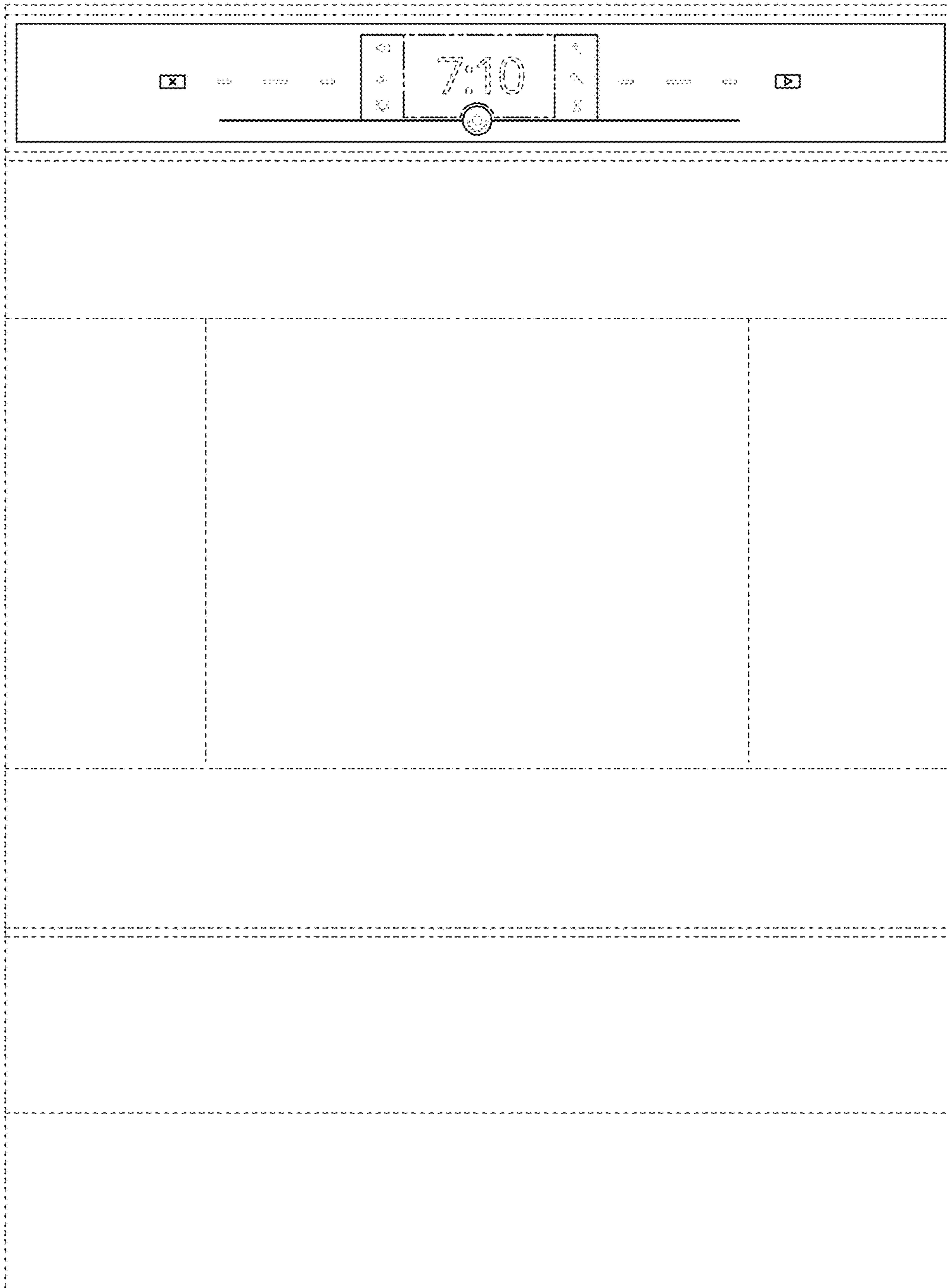


FIG. 5

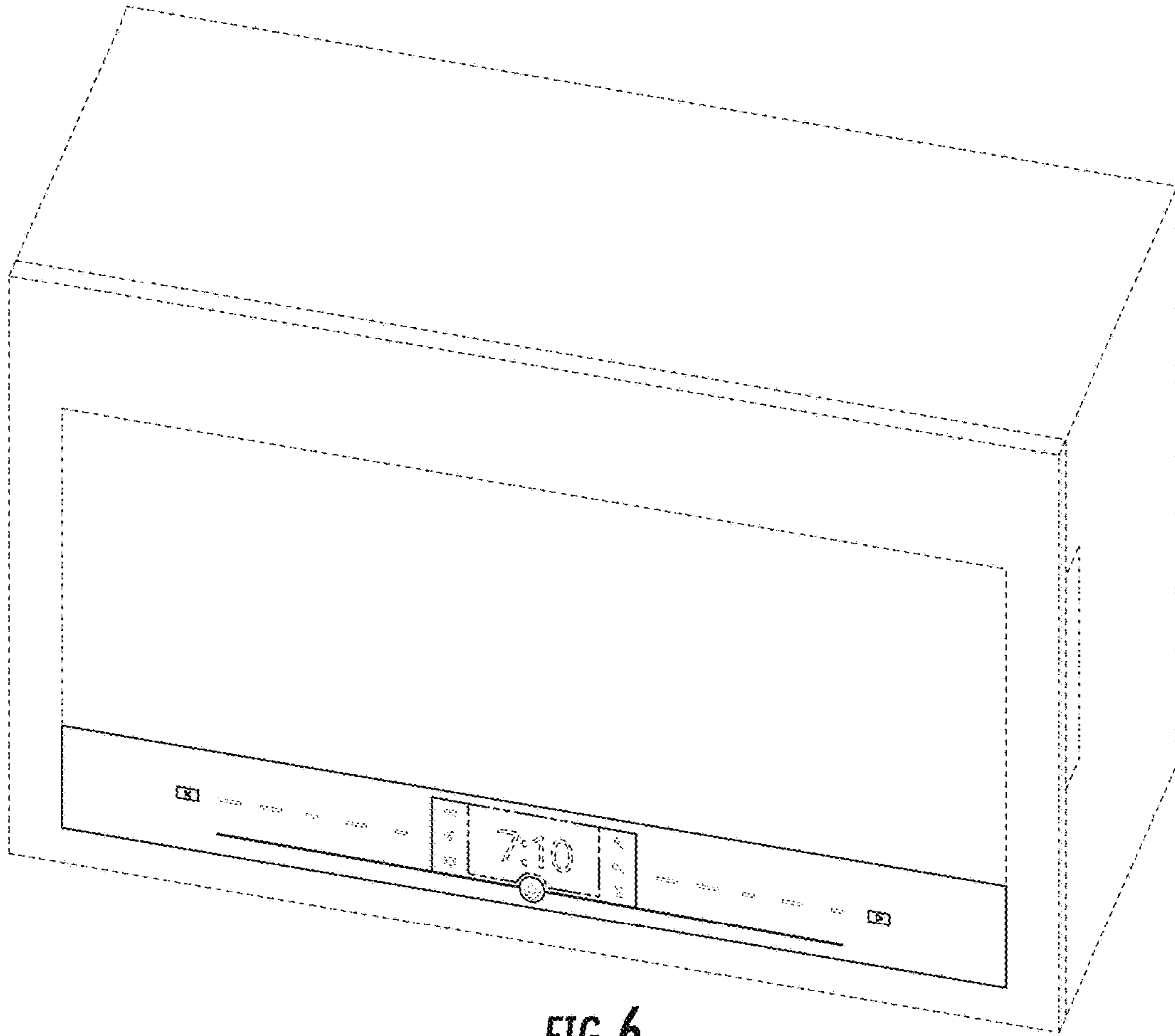


FIG. 6

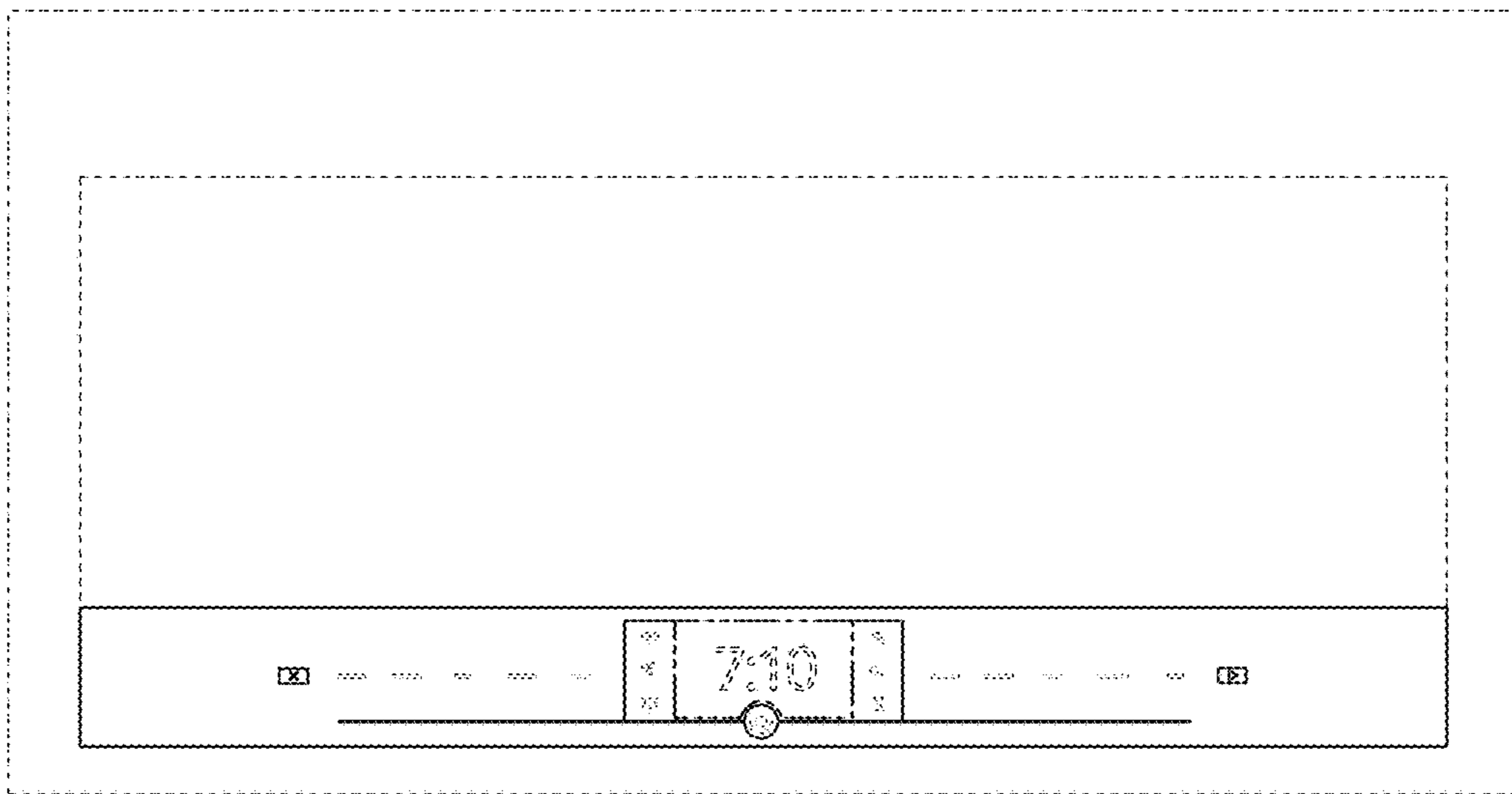


FIG. 7



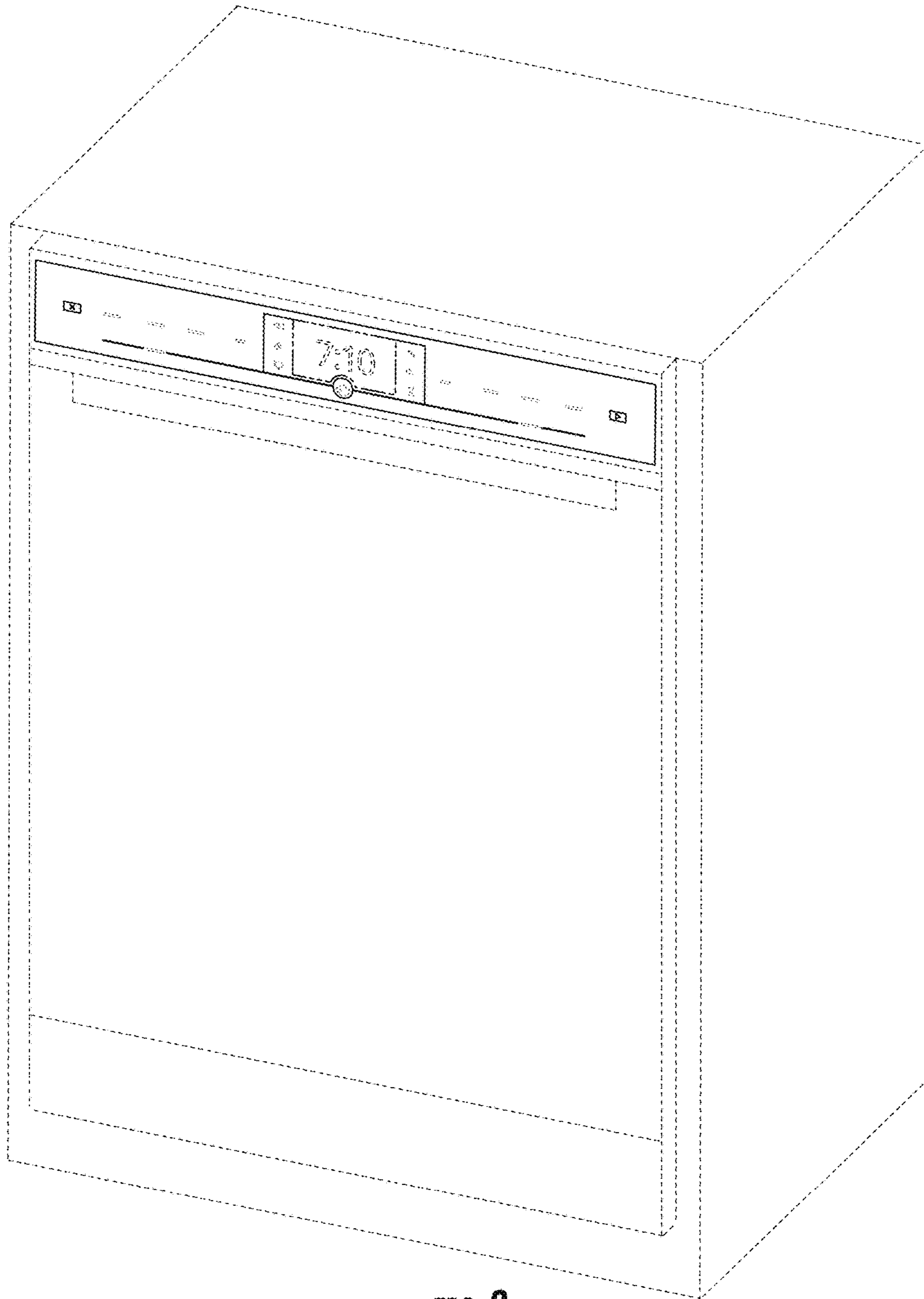


FIG. 8

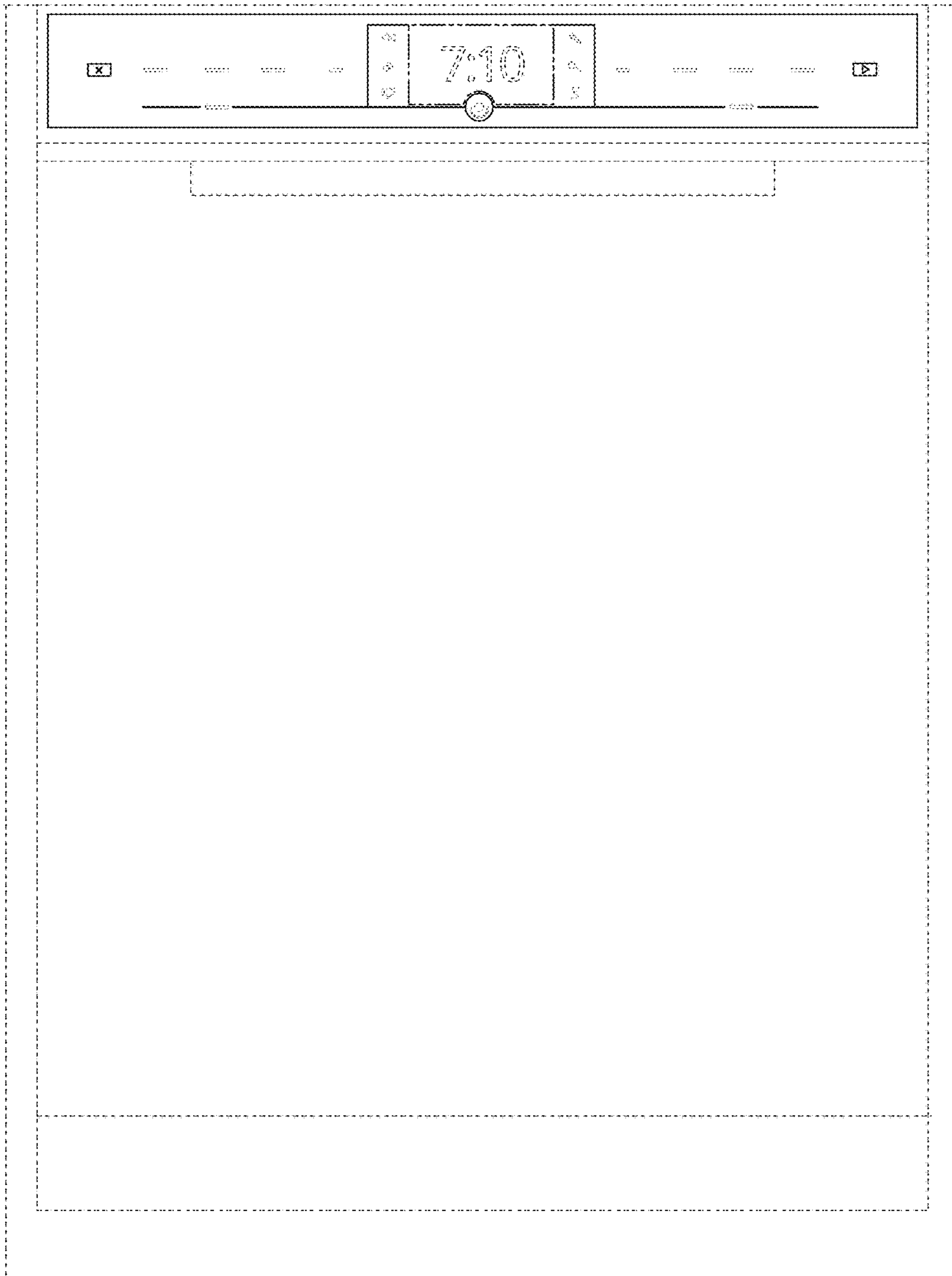


FIG. 9