



US00D809535S

(12) **United States Design Patent** (10) **Patent No.:** **US D809,535 S**
Park et al. (45) **Date of Patent:** **** Feb. 6, 2018**

(54) **VEHICLE DASHBOARD DISPLAY SCREEN WITH AN ANIMATED GRAPHICAL USER INTERFACE**

(71) Applicant: **LG ELECTRONICS INC.**, Seoul (KR)
(72) Inventors: **Junsic Park**, Seoul (KR); **Uniyoung Kim**, Seoul (KR); **Gangseub Lee**, Seoul (KR); **Seungwon Ryu**, Seoul (KR); **Yoonna Soh**, Seoul (KR); **Sowoon Yoon**, Seoul (KR); **Sunghwa Jang**, Seoul (KR)
(73) Assignee: **LG ELECTRONICS INC.**, Seoul (KR)

(**) Term: **15 Years**

(21) Appl. No.: **35/501,662**

(22) Filed: **Apr. 4, 2016**

(80) **Hague Agreement Data**

Int. Filing Date: **Apr. 4, 2016**
Int. Reg. No.: **DM/091862**
Int. Reg. Date: **Apr. 4, 2016**
Int. Reg. Pub. Date: **Oct. 7, 2016**

(30) **Foreign Application Priority Data**

Oct. 6, 2015 (KR) 30-2015-0050383

(51) **LOC (11) Cl.** **14-04**

(52) **U.S. Cl.**
USPC **D14/485**

(58) **Field of Classification Search**
USPC D14/485-495; 715/746, 771, 739; 345/169
CPC G06F 3/048; G06F 3/0481; G06F 3/0482; G06F 3/04817; G06F 3/04812
See application file for complete search history.

(56) **References Cited**

U.S. PATENT DOCUMENTS

D552,121 S * 10/2007 Carl D14/488
D553,143 S * 10/2007 Blencowe D14/486
D553,144 S * 10/2007 Blencowe D14/486
D563,977 S * 3/2008 Carl D14/488
D591,305 S * 4/2009 Shimoda D14/485
D696,264 S * 12/2013 d'Amore D14/485

(Continued)

Primary Examiner — Rhea Shields

(74) *Attorney, Agent, or Firm* — Birch, Stewart, Kolasch & Birch, LLP

(57) **CLAIM**

The ornamental design for an vehicle dashboard display screen with vehicle dashboard display screen with an animated graphical user interface , as shown and described.

DESCRIPTION

1. Vehicle dashboard display screen with an animated graphical user interface

1.1 is a front image;

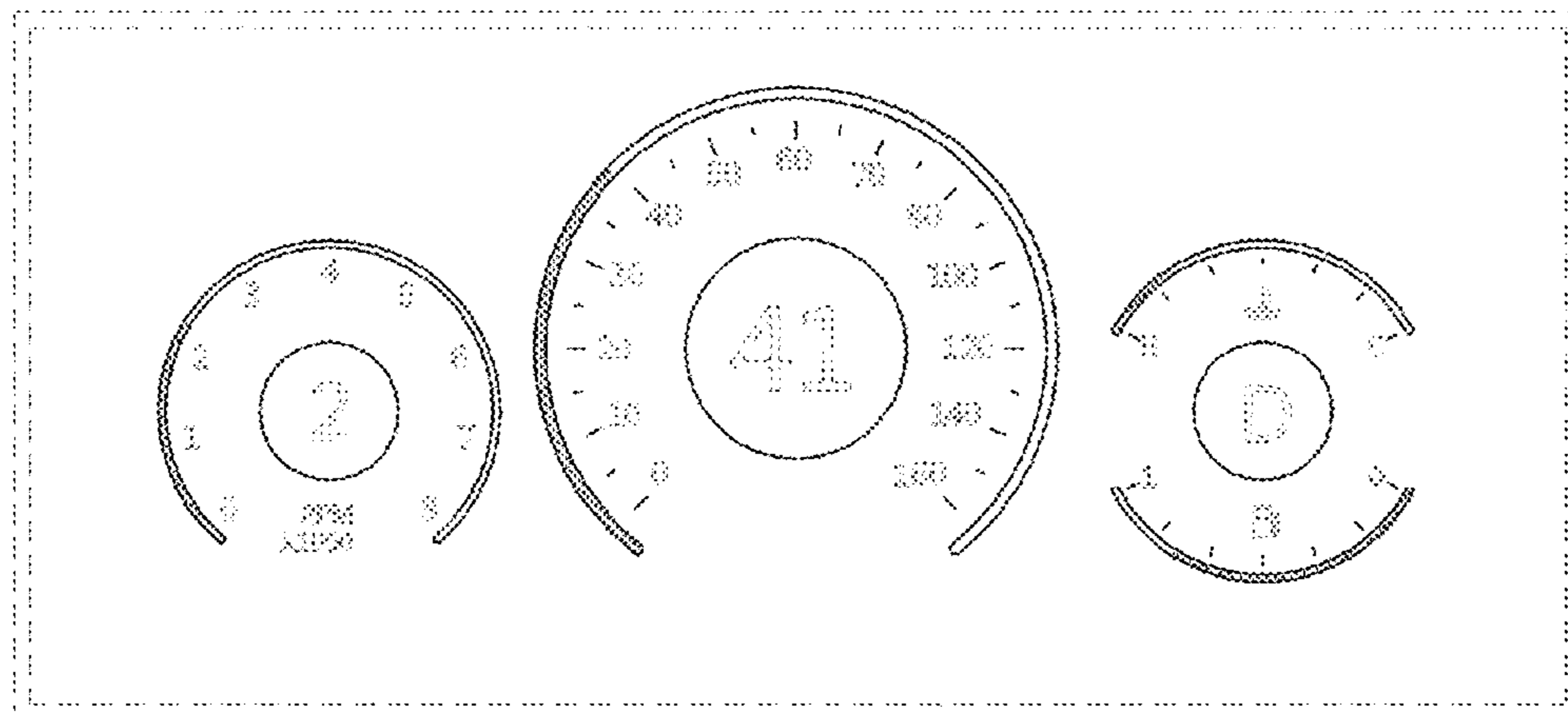
1.2 is a second image thereof.

The subject design is an vehicle dashboard display screen with an animated graphical user interface for vehicle dashboard; the reproduction 1.1 is a front view of an vehicle dashboard display screen with an animated graphical user interface before the change; the reproduction 1.2 is a front view thereof after the change;

The appearance of the vehicle dashboard display screen with an animated graphical user interface sequentially transitions between the images shown in 1.1 through 1.2. The process or period that one image transitions to another image; forms no part of the claimed design.

In the drawings, the inner most broken lines are for the purpose of illustrating portions of an vehicle dashboard display screen with an animated graphical user interface and the outer most broken lines are for the purpose of illustrating an environmental vehicle dashboard; both lines form no part of the claimed design.

1 Claim, 2 Drawing Sheets



(56)

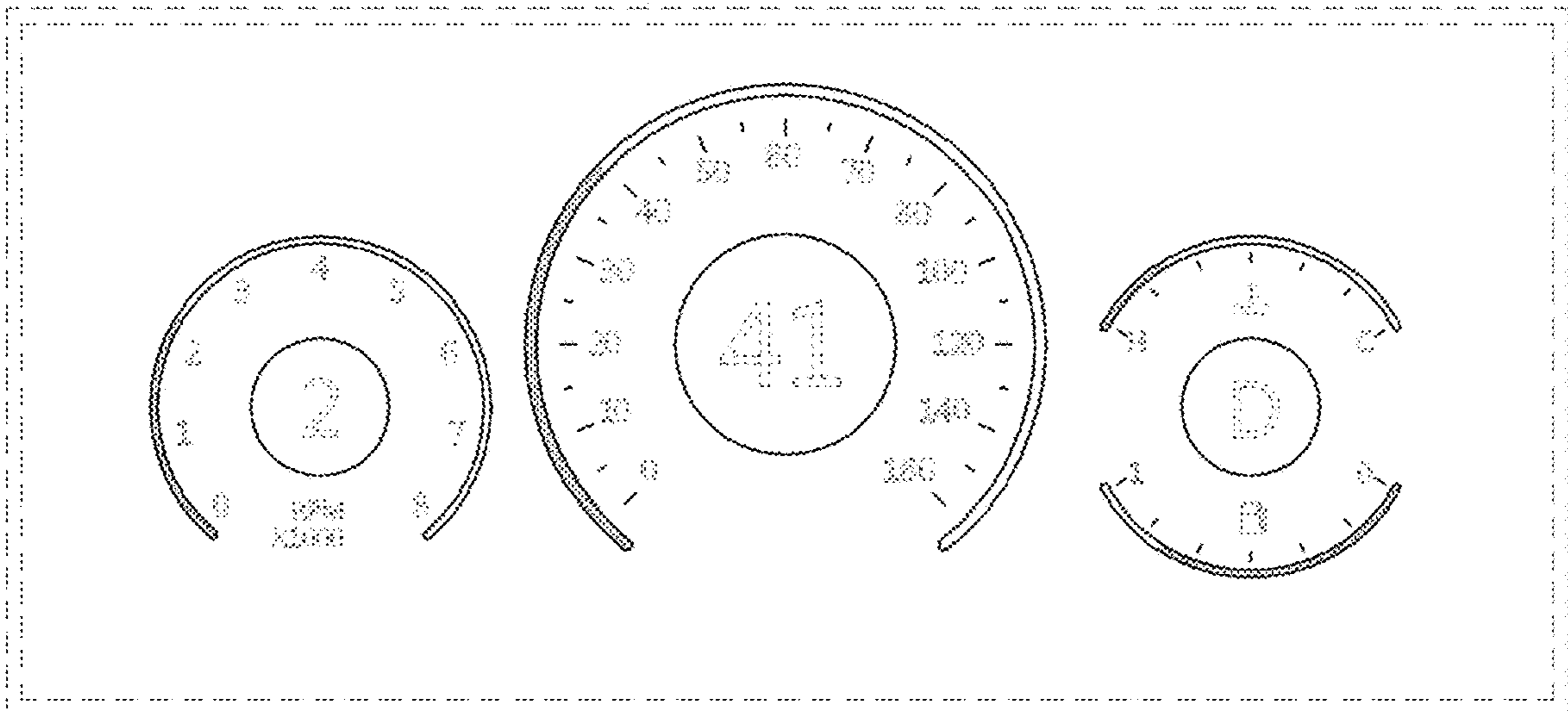
References Cited

U.S. PATENT DOCUMENTS

D753,685	S	*	4/2016	Zimmerman	D14/486
D772,255	S	*	11/2016	Taylor	D14/486
D774,520	S	*	12/2016	Kim	D14/485
D781,311	S	*	3/2017	Rad	D14/485
D785,025	S	*	4/2017	Zimmerman	D14/486
D786,301	S	*	5/2017	Napper	D14/489
D788,141	S	*	5/2017	Kim	D14/486
D789,974	S	*	6/2017	Guo	D14/487
D793,407	S	*	8/2017	Tsukahara	D14/485
D793,438	S	*	8/2017	Hosaka	D14/486
D793,446	S	*	8/2017	Tsukahara	D14/488
D794,658	S	*	8/2017	Weaver	D14/485
D795,896	S	*	8/2017	Brotman	D14/486
D795,927	S	*	8/2017	Bischoff	D14/488
D796,520	S	*	9/2017	Klar	D14/485
D796,527	S	*	9/2017	Lee	D14/485
D797,123	S	*	9/2017	Lee	D14/485

* cited by examiner

1.1



1.2

