



US00D809534S

(12) **United States Design Patent** (10) **Patent No.:** **US D809,534 S**  
**Kato et al.** (45) **Date of Patent:** **\*\* Feb. 6, 2018**

(54) **DISPLAY SCREEN WITH GRAPHICAL USER INTERFACE**

(71) Applicant: **TOYOTA JIDOSHA KABUSHIKI KAISHA**, Toyota-shi, Aichi-ken (JP)

(72) Inventors: **Yasutomo Kato**, Okazaki (JP); **Kei Yamamoto**, Toyota (JP); **Kenichiro Maeda**, Toyota (JP); **Norihisa Hotta**, Nagoya (JP); **Yuji Kawahara**, Nagoya (JP); **Chihiro Miyai**, Chiryu (JP); **Hiroshi Takahashi**, Tokyo (JP)

(73) Assignee: **TOYOTA JIDOSHA KABUSHIKI KAISHA** (JP)

(\*\*) Term: **15 Years**

(21) Appl. No.: **29/588,856**

(22) Filed: **Dec. 23, 2016**

(51) **LOC (11) Cl.** ..... **14-04**

(52) **U.S. Cl.**  
USPC ..... **D14/485**

(58) **Field of Classification Search**  
USPC ..... D14/485-495  
CPC ..... G01C 21/36; B60K 37/00; G08G 1/0962; G08F 1/123  
See application file for complete search history.

(56) **References Cited**

U.S. PATENT DOCUMENTS

D702,257 S *	4/2014	Wantland	.....	D14/489
D709,083 S *	7/2014	Meegan	.....	D14/486
D709,519 S *	7/2014	Meegan	.....	D14/486
D710,373 S *	8/2014	Meegan	.....	D14/486
D710,374 S *	8/2014	Meegan	.....	D14/486
D712,926 S *	9/2014	Meegan	.....	D14/489
D735,214 S *	7/2015	Mariet	.....	D14/485
D747,730 S *	1/2016	Yamasaki	.....	D14/485
D753,696 S *	4/2016	Dye	.....	D14/486

D753,717 S *	4/2016	Mariet	.....	D14/491
D753,718 S *	4/2016	Mariet	.....	D14/492
D753,719 S *	4/2016	Mariet	.....	D14/491
D753,720 S *	4/2016	Mariet	.....	D14/491
D753,721 S *	4/2016	Mariet	.....	D14/491
D753,722 S *	4/2016	Mariet	.....	D14/491
D754,189 S *	4/2016	Mariet	.....	D14/489
D754,190 S *	4/2016	Mariet	.....	D14/489
D754,203 S *	4/2016	Mariet	.....	D14/491
D754,204 S *	4/2016	Mariet	.....	D14/491
D757,752 S *	5/2016	Yuk	.....	D14/485
D765,713 S *	9/2016	Mariet	.....	D14/486
D766,302 S *	9/2016	Phelan	.....	D14/486
D766,304 S *	9/2016	Mariet	.....	D14/486
D768,184 S *	10/2016	Mariet	.....	D14/486
D771,681 S *	11/2016	Mariet	.....	D14/486
D771,682 S *	11/2016	Mariet	.....	D14/486
D772,274 S *	11/2016	Mariet	.....	D14/486
D773,517 S *	12/2016	Mariet	.....	D14/486
D775,195 S *	12/2016	Caldwell	.....	D14/486
D778,292 S *	2/2017	Mochizuki	.....	D14/485

(Continued)

Primary Examiner — Darlington Ly

Assistant Examiner — Daniel J Domino

(74) Attorney, Agent, or Firm — Saidman DesignLaw Group, LLC

(57) **CLAIM**

The ornamental design for a display screen with graphical user interface, as shown and described.

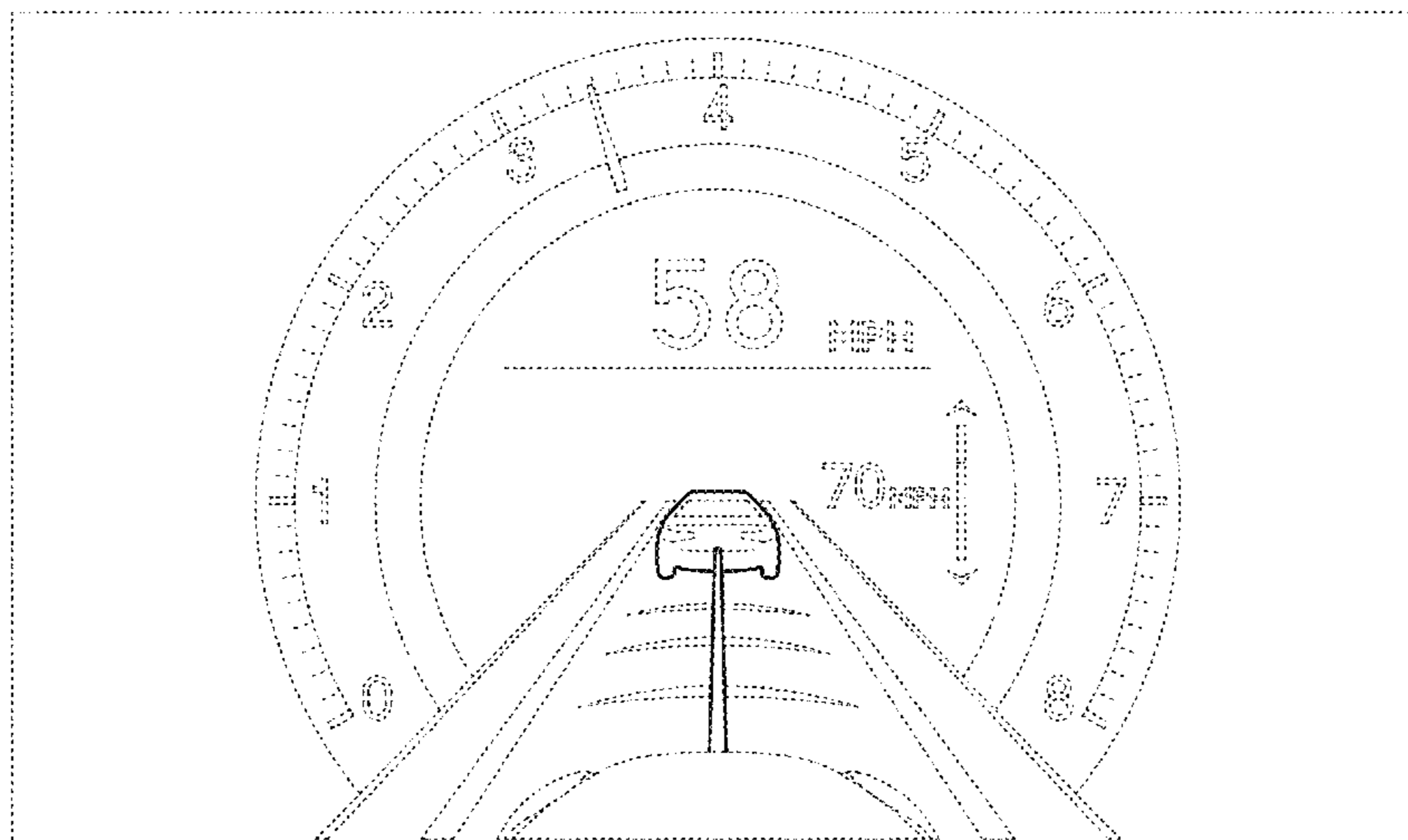
**DESCRIPTION**

The sole FIGURE is a front view of a display screen with graphical user interface showing our new design.

The peripheral dashed broken lines represent a display screen or portion thereof and form no part of the claimed design.

The dashed broken lines within the peripheral dashed broken lines represent portions of the graphical user interface which form no part of the claimed design.

**1 Claim, 1 Drawing Sheet**



(56)

**References Cited**

U.S. PATENT DOCUMENTS

D786,913 S *	5/2017	Dye .....	D14/486
D786,915 S *	5/2017	Kim .....	D14/487
D788,141 S *	5/2017	Kim .....	D14/486
D788,154 S *	5/2017	Kim .....	D14/487
D792,424 S *	7/2017	Meegan .....	D14/485
D793,407 S *	8/2017	Tsukahara .....	D14/485
D794,676 S *	8/2017	Daniel .....	D14/491

\* cited by examiner

