



US00D809532S

(12) **United States Design Patent**
Kato et al.

(10) **Patent No.:** **US D809,532 S**

(45) **Date of Patent:** **** Feb. 6, 2018**

(54) **DISPLAY SCREEN WITH GRAPHICAL USER INTERFACE**

(71) Applicant: **TOYOTA JIDOSHA KABUSHIKI KAISHA**, Toyota-shi, Aichi-ken (JP)

(72) Inventors: **Yasutomo Kato**, Okazaki (JP); **Kei Yamamoto**, Toyota (JP); **Kenichiro Maeda**, Toyota (JP); **Norihisa Hotta**, Nagoya (JP); **Yuji Kawahara**, Nagoya (JP); **Chihiro Miyai**, Chiryu (JP); **Hiroshi Takahashi**, Tokyo (JP)

(73) Assignee: **TOYOTA JIDOSHA KABUSHIKI KAISHA** (JP)

(**) Term: **15 Years**

(21) Appl. No.: **29/588,853**

(22) Filed: **Dec. 23, 2016**

(51) **LOC (11) Cl.** **14-04**

(52) **U.S. Cl.**
USPC **D14/485**

(58) **Field of Classification Search**
USPC D14/485-495
CPC G01C 21/36; B60K 37/00; G08G 1/0962; G08F 1/123
See application file for complete search history.

(56) **References Cited**

U.S. PATENT DOCUMENTS

D702,257 S *	4/2014	Wantland	D14/489
D709,083 S *	7/2014	Meegan	D14/486
D709,519 S *	7/2014	Meegan	D14/486
D710,373 S *	8/2014	Meegan	D14/486
D710,374 S *	8/2014	Meegan	D14/486
D712,926 S *	9/2014	Meegan	D14/489
D735,214 S *	7/2015	Mariet	D14/485
D747,730 S *	1/2016	Yamasaki	D14/485
D753,696 S *	4/2016	Dye	D14/486

D753,717 S *	4/2016	Mariet	D14/491
D753,718 S *	4/2016	Mariet	D14/492
D753,719 S *	4/2016	Mariet	D14/491
D753,720 S *	4/2016	Mariet	D14/491
D753,721 S *	4/2016	Mariet	D14/491
D753,722 S *	4/2016	Mariet	D14/491
D754,189 S *	4/2016	Mariet	D14/489
D754,190 S *	4/2016	Mariet	D14/489
D754,203 S *	4/2016	Mariet	D14/491
D754,204 S *	4/2016	Mariet	D14/491
D757,752 S *	5/2016	Yuk	D14/485
D765,713 S *	9/2016	Mariet	D14/486
D766,302 S *	9/2016	Phelan	D14/486
D766,304 S *	9/2016	Mariet	D14/486
D768,184 S *	10/2016	Mariet	D14/486
D771,681 S *	11/2016	Mariet	D14/486
D771,682 S *	11/2016	Mariet	D14/486
D772,274 S *	11/2016	Mariet	D14/486
D773,517 S *	12/2016	Mariet	D14/486
D775,195 S *	12/2016	Caldwell	D14/486
D778,292 S *	2/2017	Mochizuki	D14/485

(Continued)

Primary Examiner — Darlington Ly

Assistant Examiner — Daniel J Domino

(74) *Attorney, Agent, or Firm* — Saidman DesignLaw Group, LLC

(57) **CLAIM**

The ornamental design for a display screen with graphical user interface, as shown and described.

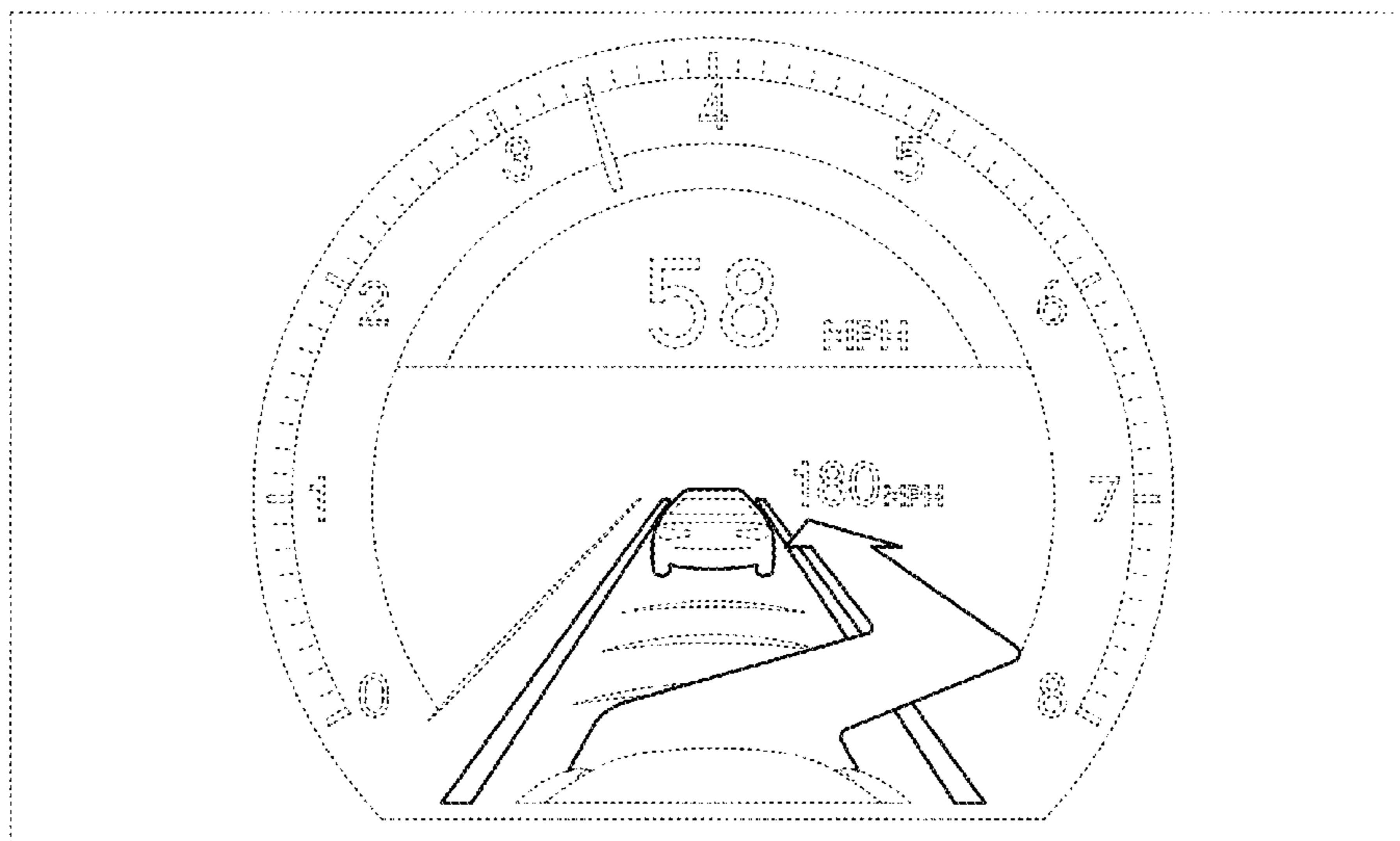
DESCRIPTION

The sole FIGURE is a front view of a display screen with graphical user interface showing our new design.

The peripheral dashed broken lines represent a display screen or portion thereof and form no part of the claimed design.

The dashed broken lines within the peripheral dashed broken lines represent portions of the graphical user interface which form no part of the claimed design.

1 Claim, 1 Drawing Sheet



(56)

References Cited

U.S. PATENT DOCUMENTS

D786,913 S *	5/2017	Dye	D14/486
D786,915 S *	5/2017	Kim	D14/487
D788,141 S *	5/2017	Kim	D14/486
D788,154 S *	5/2017	Kim	D14/487
D792,424 S *	7/2017	Meegan	D14/485
D793,407 S *	8/2017	Tsukahara	D14/485
D794,676 S *	8/2017	Daniel	D14/491

* cited by examiner

