



US00D809519S

(12) **United States Design Patent**  
**Jung et al.**

(10) **Patent No.:** **US D809,519 S**  
(45) **Date of Patent:** **\*\* Feb. 6, 2018**

(54) **STAND FOR MONITOR**

(71) Applicant: **Samsung Electronics Co., Ltd.**,  
Suwon-si (KR)

(72) Inventors: **Minjoon Jung**, Seoul (KR); **Taeyeon Won**, Seoul (KR)

(73) Assignee: **SAMSUNG ELECTRONICS CO., LTD.**, Suwon-si (KR)

(\*\*) Term: **15 Years**

(21) Appl. No.: **29/552,476**

(22) Filed: **Jan. 22, 2016**

(30) **Foreign Application Priority Data**

Aug. 13, 2015 (KR) ..... 30-2015-0040973

(51) **LOC (11) Cl.** ..... **14-02**

(52) **U.S. Cl.**  
USPC ..... **D14/452**

(58) **Field of Classification Search**  
USPC ..... D14/447-452, 336, 341, 371, 373, 374,  
D14/375, 376, 377, 126, 127, 128, 129  
(Continued)

(56) **References Cited**

**U.S. PATENT DOCUMENTS**

D545,313 S \* 6/2007 Kim ..... D14/375  
D545,314 S \* 6/2007 Kim ..... D14/375  
(Continued)

**FOREIGN PATENT DOCUMENTS**

CN 301216640 \* 5/2010

**OTHER PUBLICATIONS**

Amazon. <URL: [https://www.amazon.com/MemOffice-Compatible-Adjustable-Portable-Suitable/dp/B071WLS1YB/ref=sr\\_1\\_49\\_sspa?ie=UTF8&qid=1508443763&sr=8-49-spons](https://www.amazon.com/MemOffice-Compatible-Adjustable-Portable-Suitable/dp/B071WLS1YB/ref=sr_1_49_sspa?ie=UTF8&qid=1508443763&sr=8-49-spons)>

&keywords=samsung+monitor+stand&psc=1.> Jun. 6, 2017.  
Single Arm Monitor Mount by MemOffice.\*

*Primary Examiner* — Bridget L Eland

*Assistant Examiner* — Lauren McVey

(74) *Attorney, Agent, or Firm* — McAndrews Held & Malloy, Ltd.

(57) **CLAIM**

The ornamental design for a stand for monitor, as shown and described.

**DESCRIPTION**

FIG. 1 is a front perspective view of a stand for monitor showing our new design;

FIG. 2 is a front elevation view thereof;

FIG. 3 is a rear elevation view thereof;

FIG. 4 is a left-side elevation view thereof;

FIG. 5 is a right-side elevation view thereof;

FIG. 6 is a top plan view thereof;

FIG. 7 is a bottom plan view thereof;

FIG. 8 is a rear perspective view thereof;

FIG. 9 is a partially enlarged rear elevation view of the stand for monitor of FIG. 1, of the portion delineated by dot-dot-dash rectangle 9 as shown in FIG. 3;

FIG. 10 is a partially enlarged top plan view of the stand for monitor of FIG. 1, of the portion delineated by dot-dot-dash rectangle 10 as shown in FIG. 6;

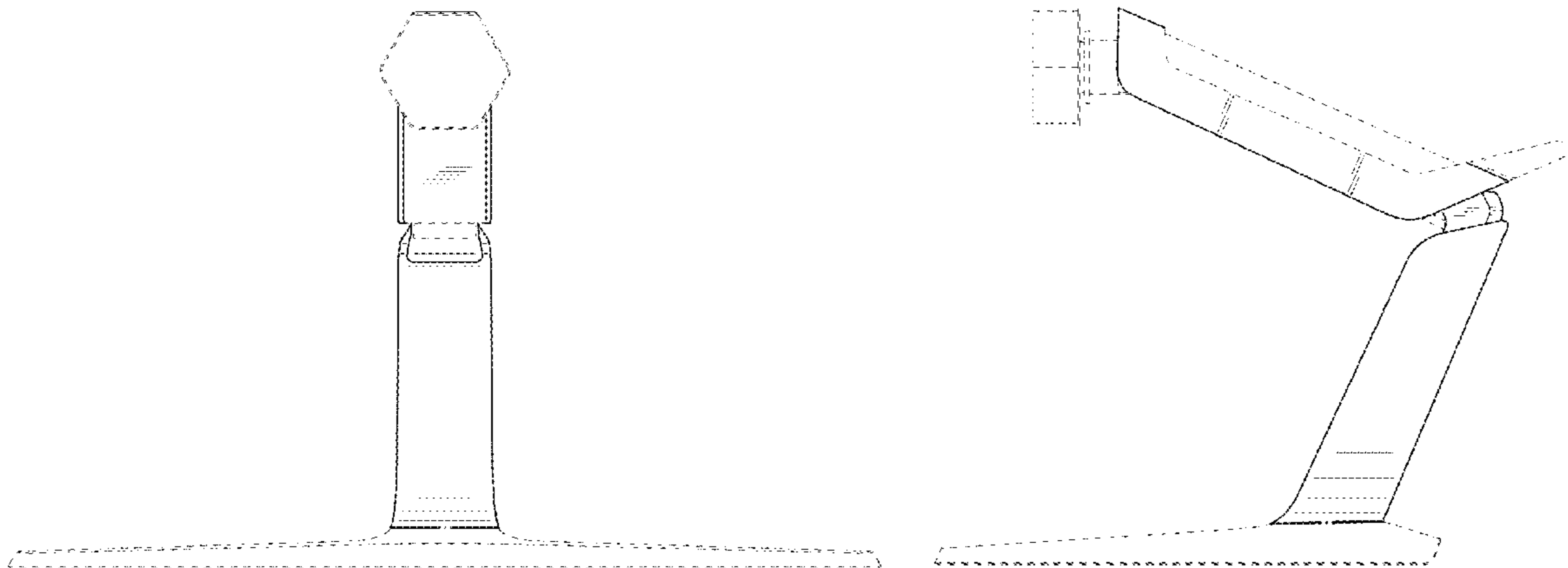
FIG. 11 is a front perspective view of the stand for monitor of FIG. 1, shown with environment;

FIG. 12 is a rear perspective view thereof, shown with environment; and,

FIG. 13 is a right-side elevation view of the stand for monitor of FIG. 1, shown with environment and in an alternate position.

The dot-dash broken lines and dashed broken lines immediately adjacent the shaded surfaces in the figures represent the bounds of the claimed design, and form no part of the claimed design, while all other broken lines are directed to environment and form no part of the claimed design. The dot-dot-dash broken lines in the figures delineate enlarged portions of the claimed design and form no part of the claimed design. In addition, the unshaded surface in the FIG.

(Continued)



1 view that directly adjoins the claimed solid line edge forms no part of the claimed design.

**1 Claim, 9 Drawing Sheets**

**(58) Field of Classification Search**

CPC .... F16M 11/105; F16M 11/10; F16M 11/048;  
F16M 11/12; F16M 13/022

See application file for complete search history.

**(56) References Cited**

U.S. PATENT DOCUMENTS

D558,201 S *	12/2007	Park, II	.....	D14/375
D622,233 S *	8/2010	Shin	.....	D14/126
D654,503 S *	2/2012	Sapper	.....	D14/452
D688,674 S *	8/2013	Lau	.....	D14/452
D704,156 S *	5/2014	Lee	.....	D14/126
D733,157 S *	6/2015	Kim	.....	D14/447
D745,873 S *	12/2015	Xiang	.....	D14/452
D758,375 S *	6/2016	Won	.....	D14/451
D774,037 S *	12/2016	Kang	.....	D14/451
2008/0093522 A1 *	4/2008	Oddsens	.....	F16M 11/10 248/276.1
2009/0212175 A1 *	8/2009	Yen	.....	F16M 11/10 248/123.11

\* cited by examiner

FIG.1

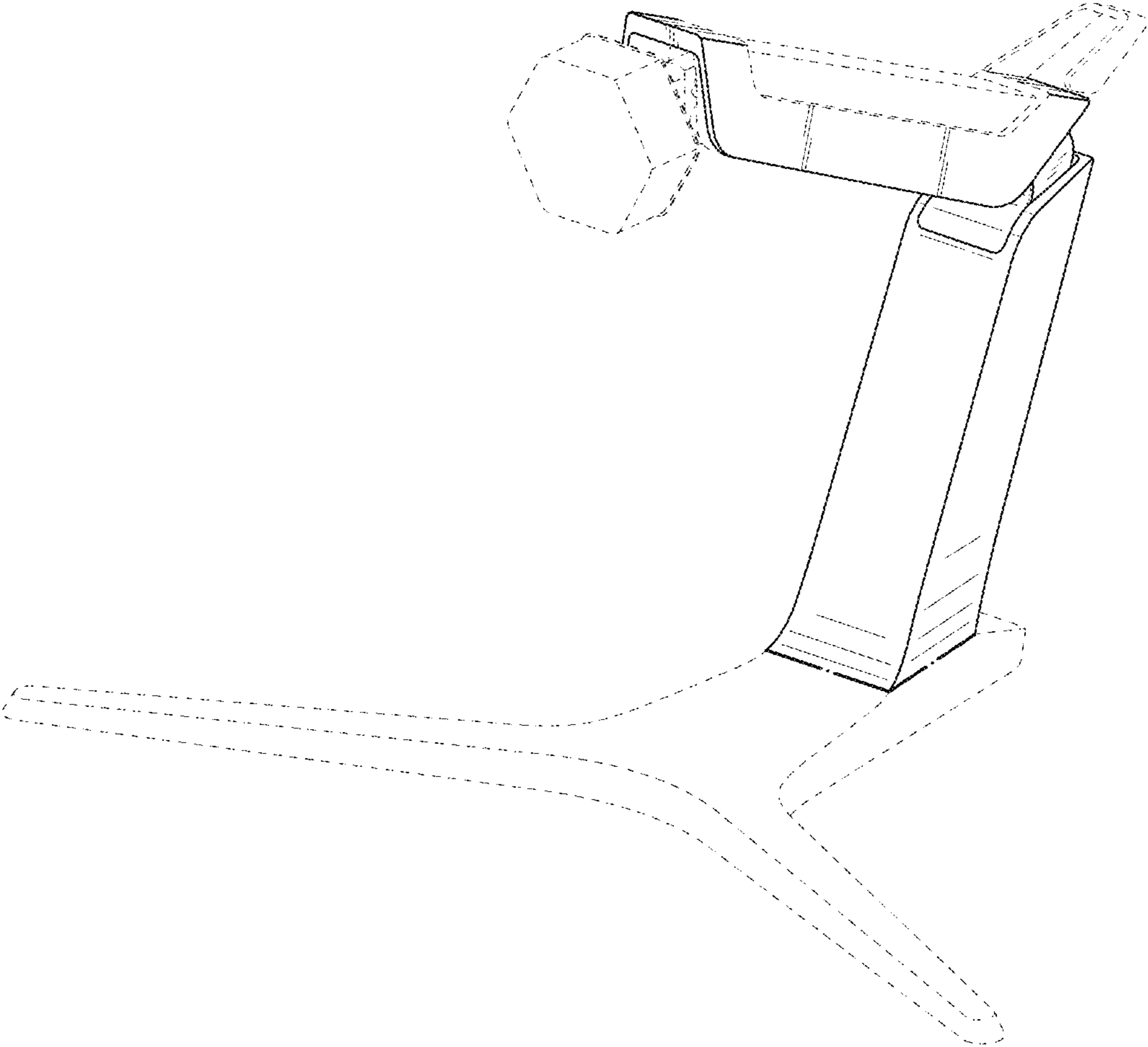


FIG.2

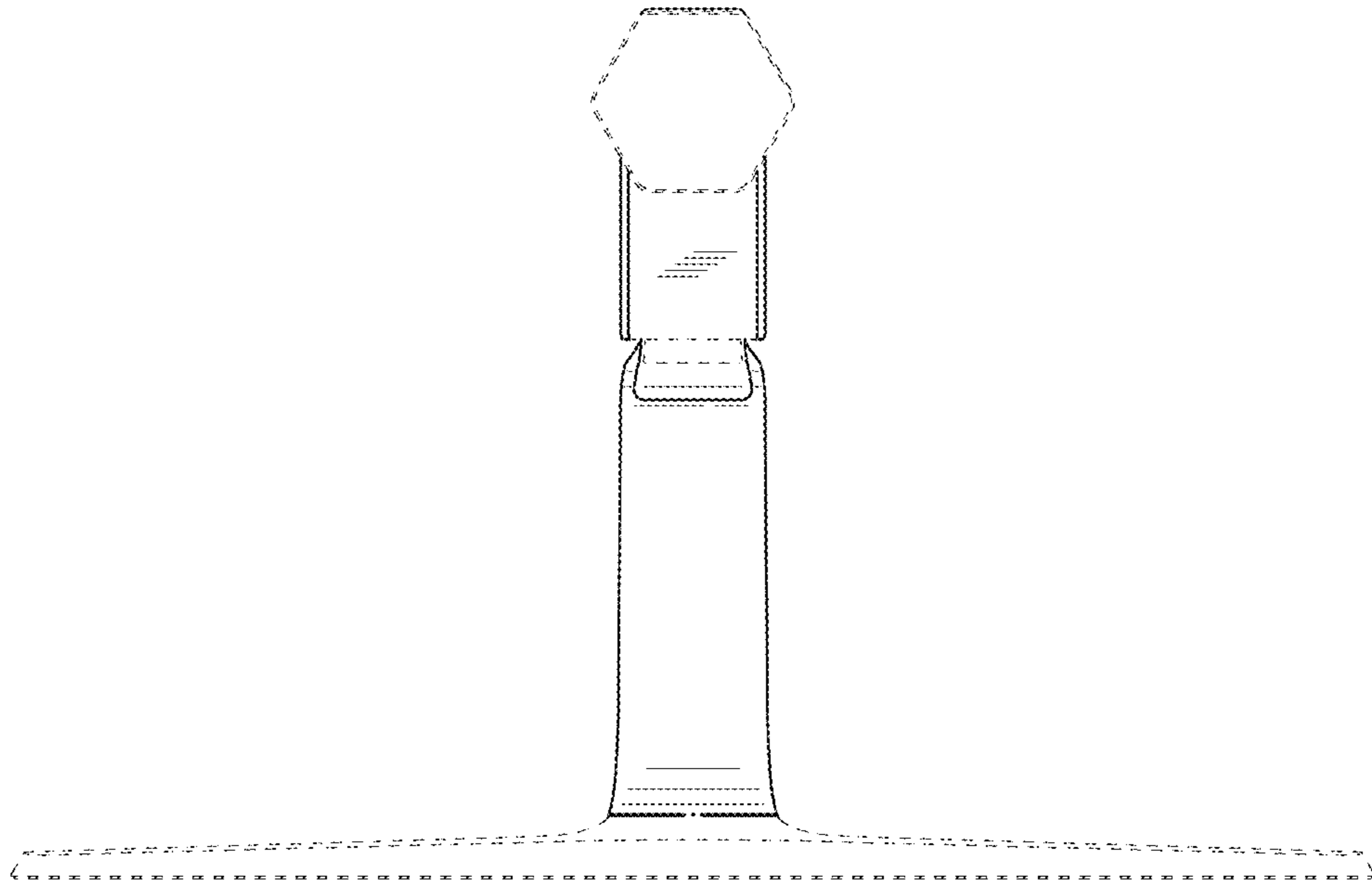


FIG.3

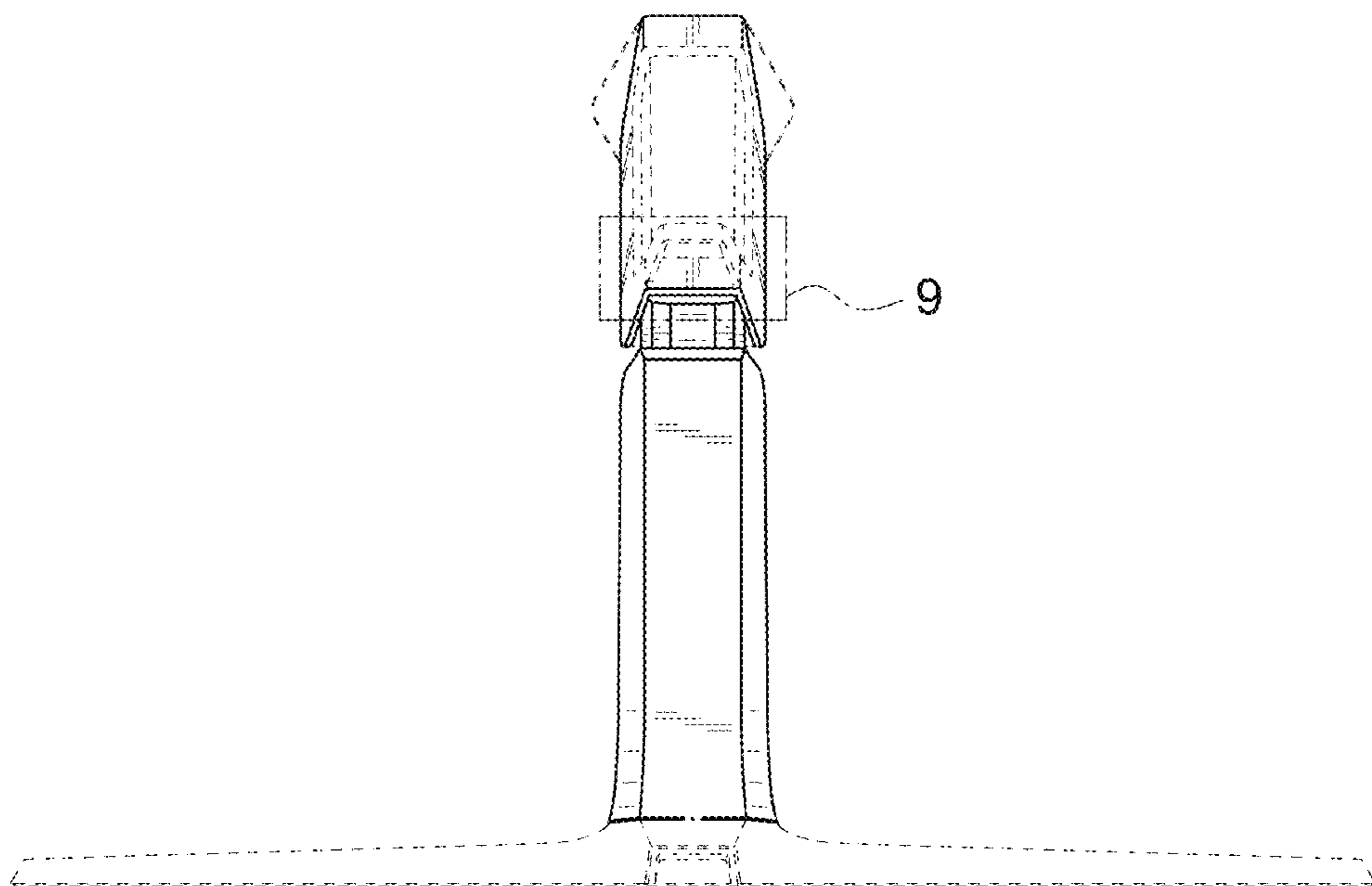


FIG.4

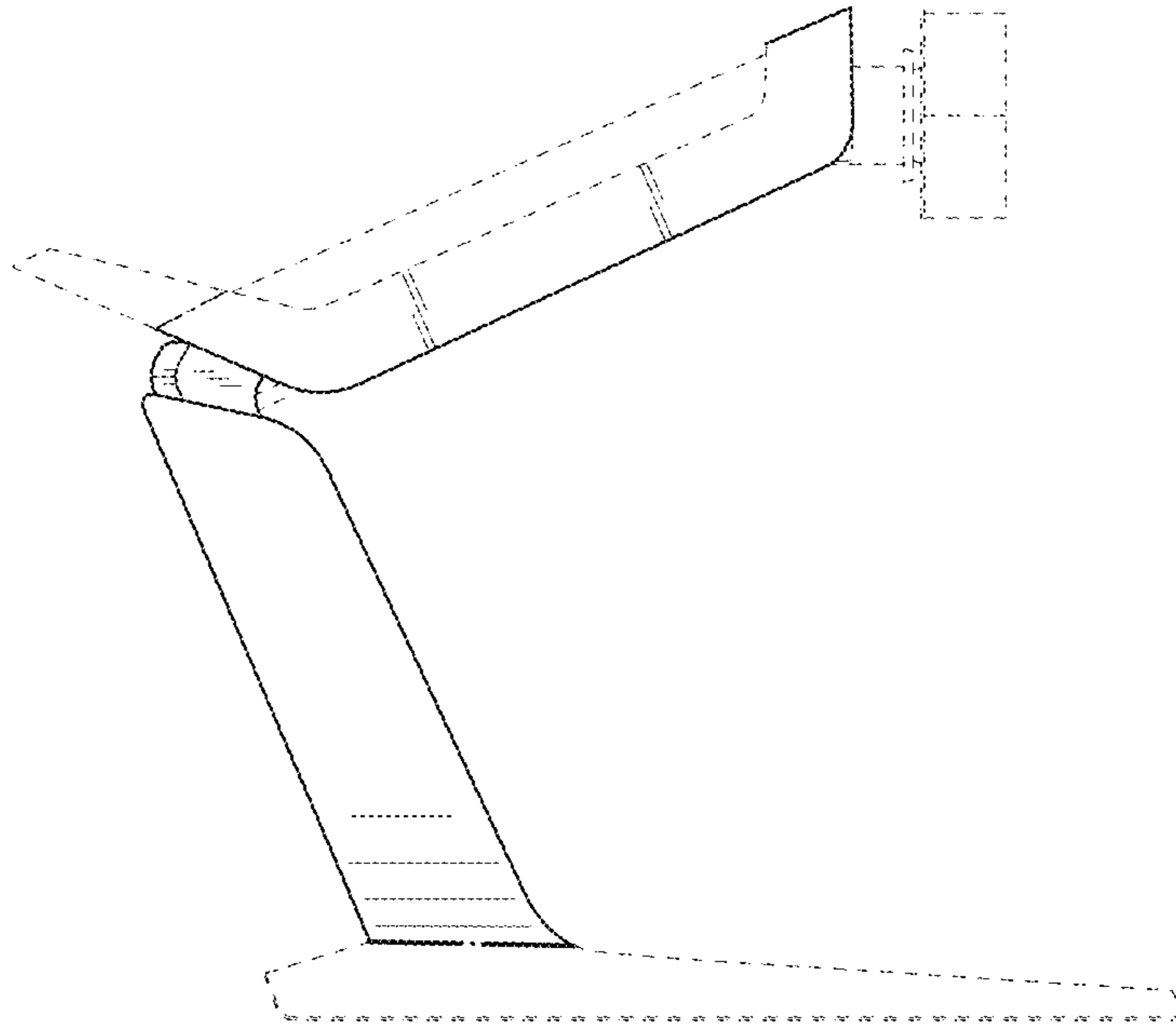


FIG.5

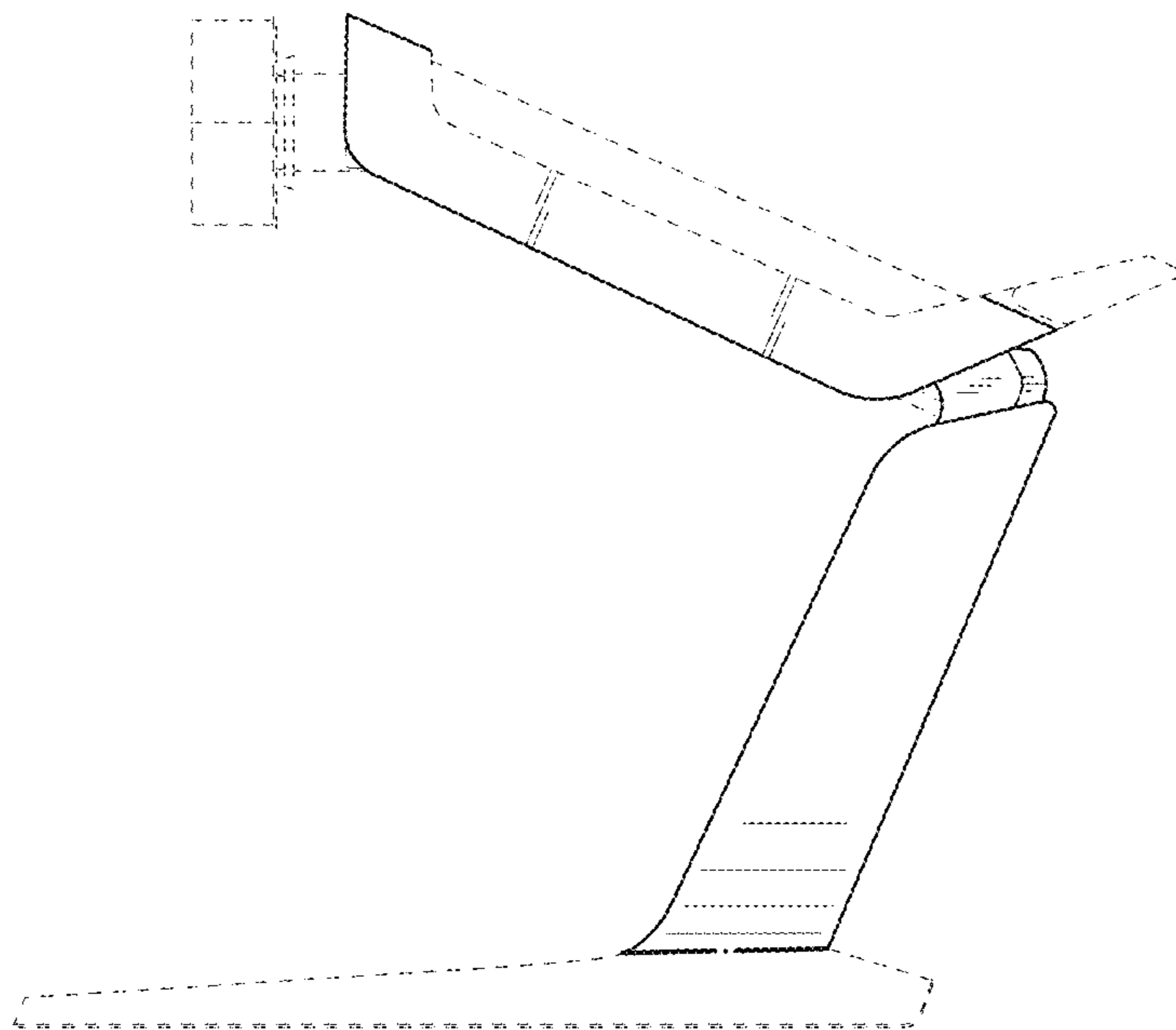


FIG.6

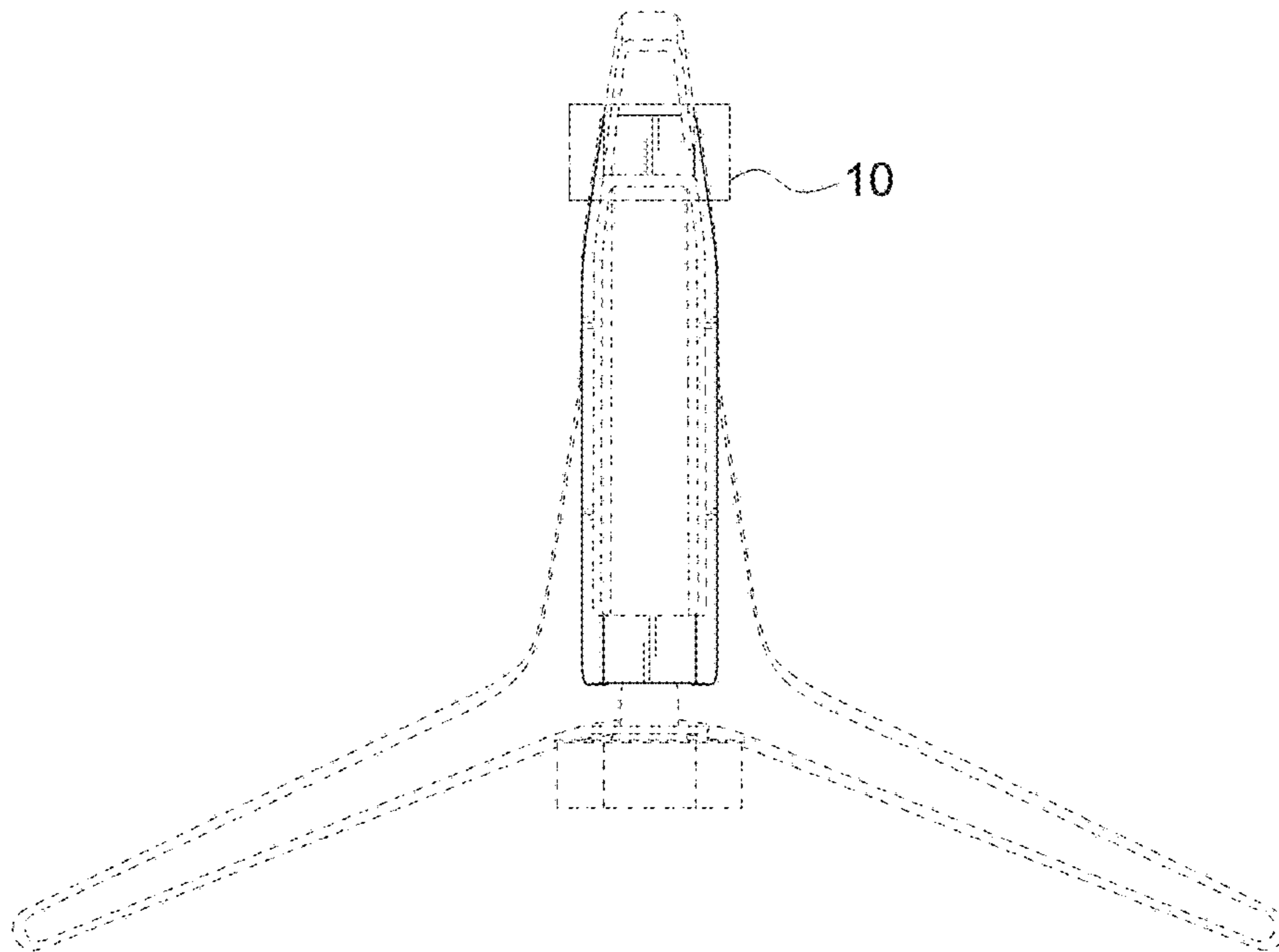


FIG.7

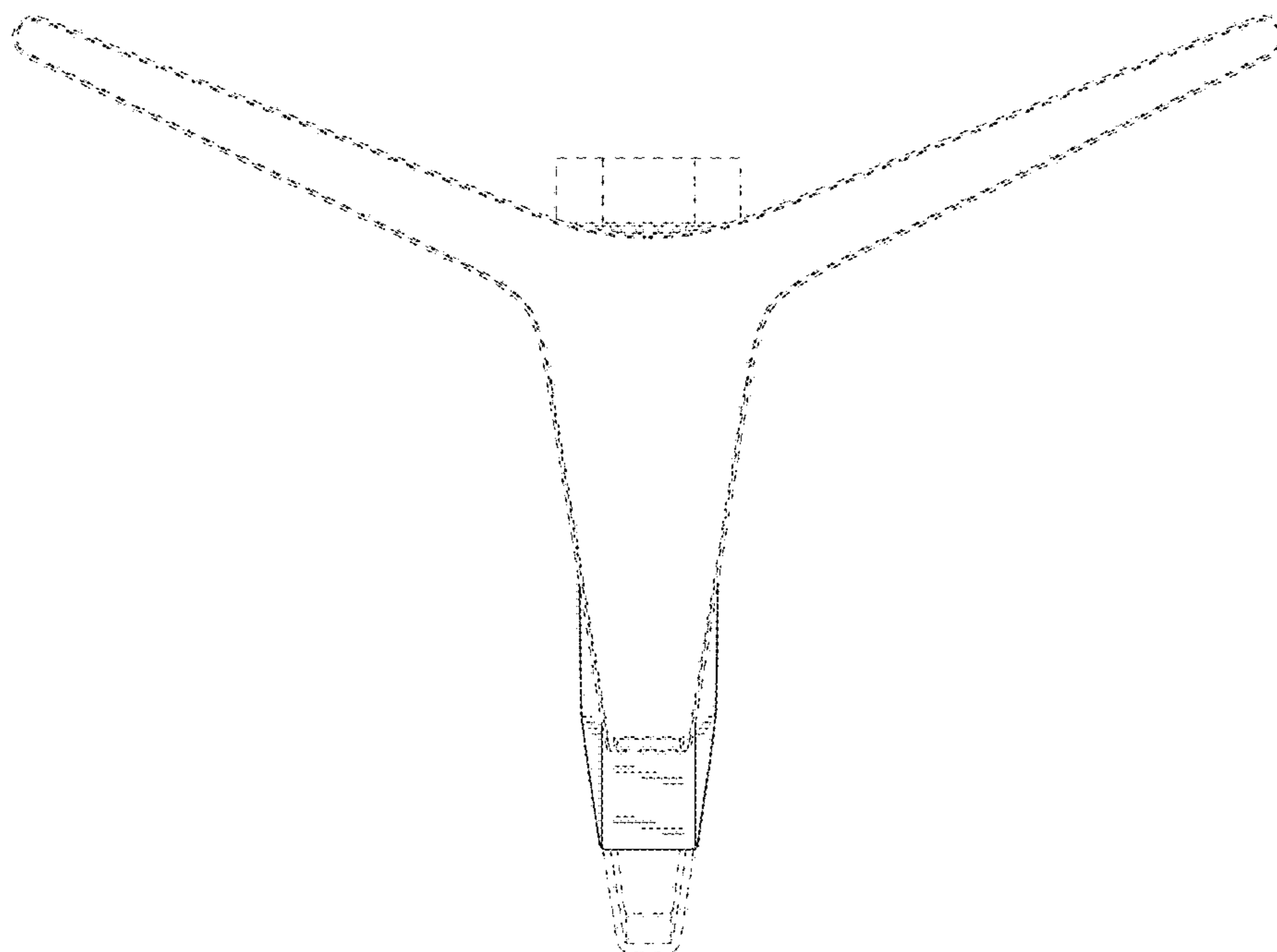


FIG.8

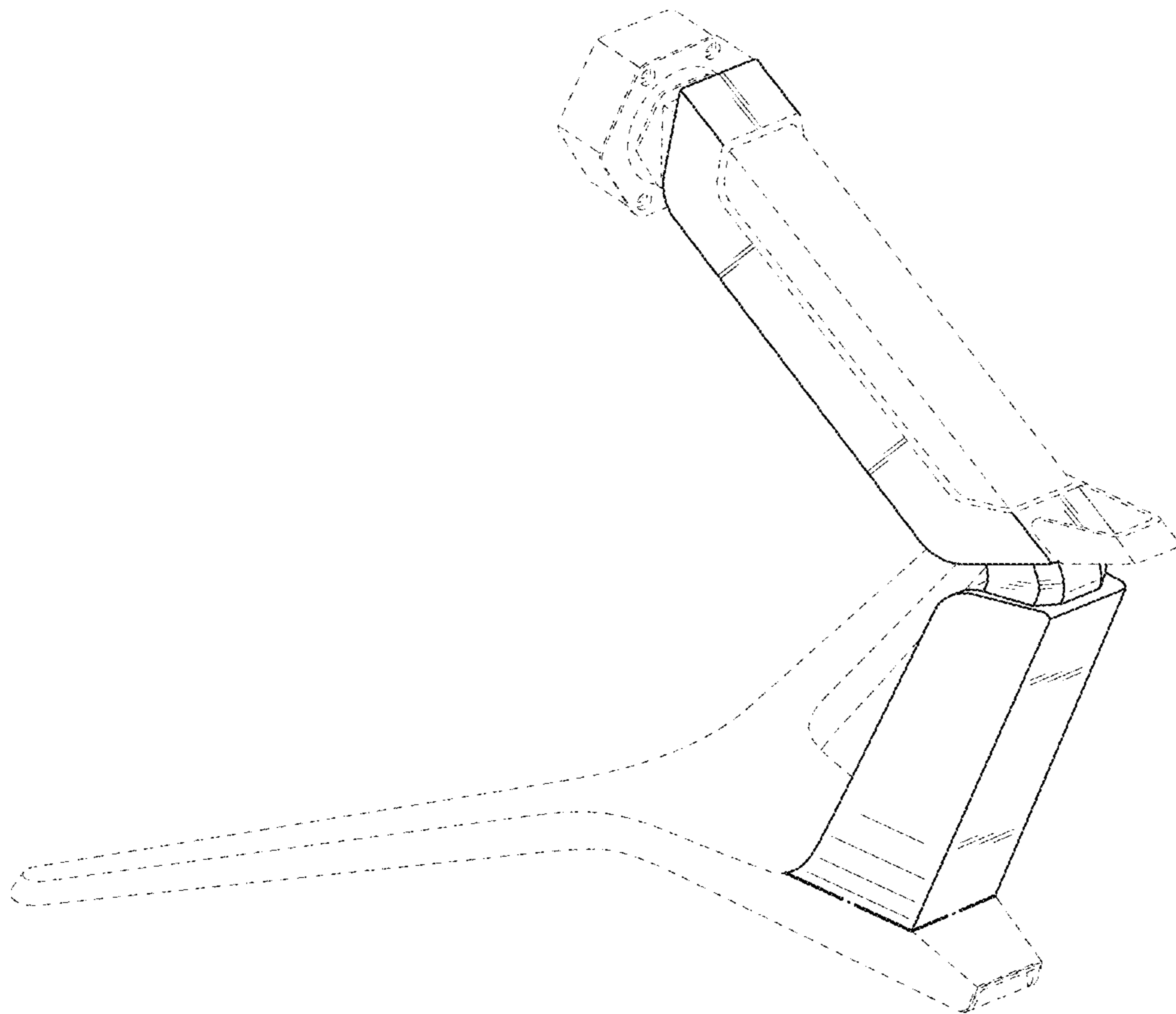


FIG.9

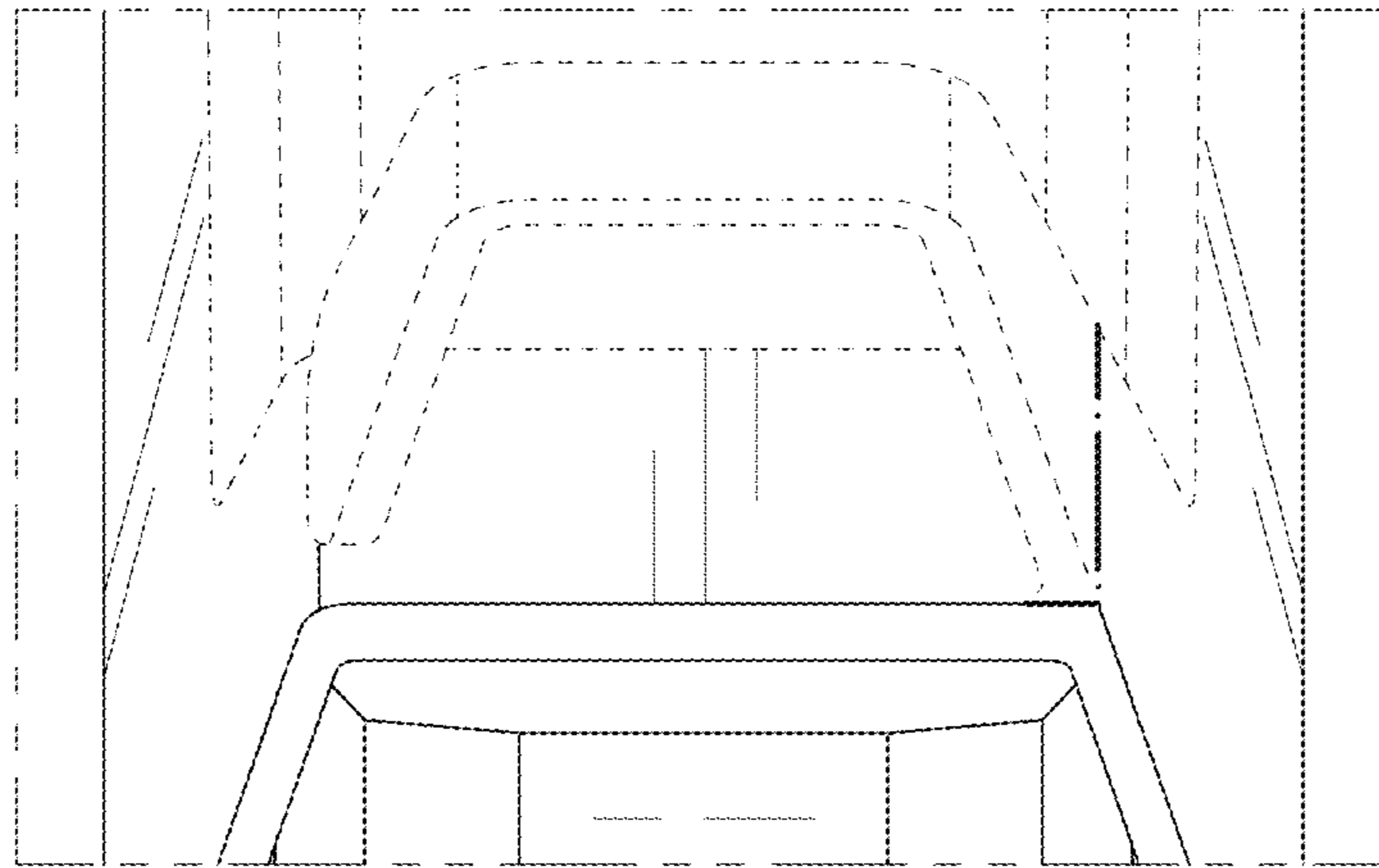


FIG.10

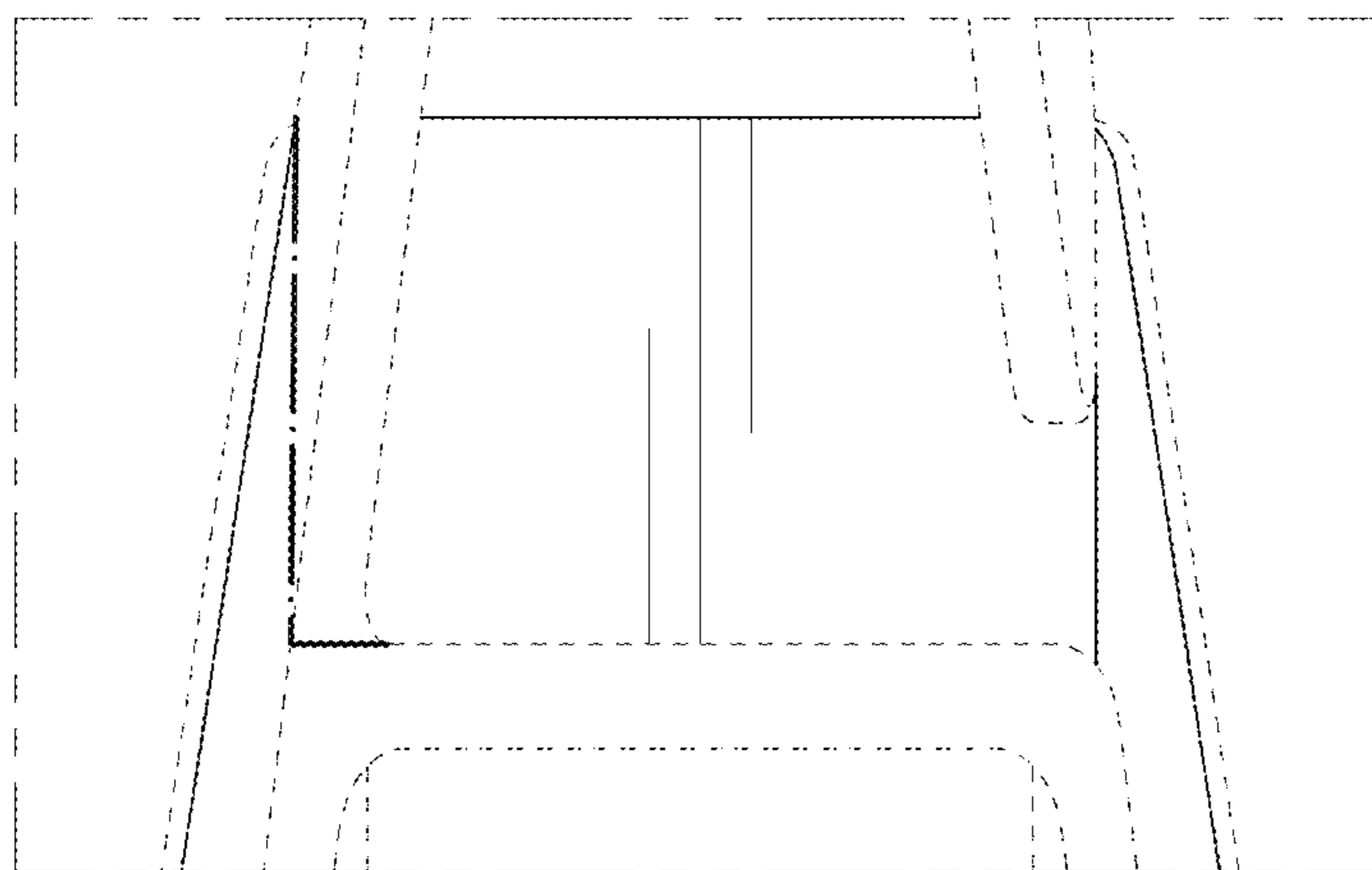




FIG.11

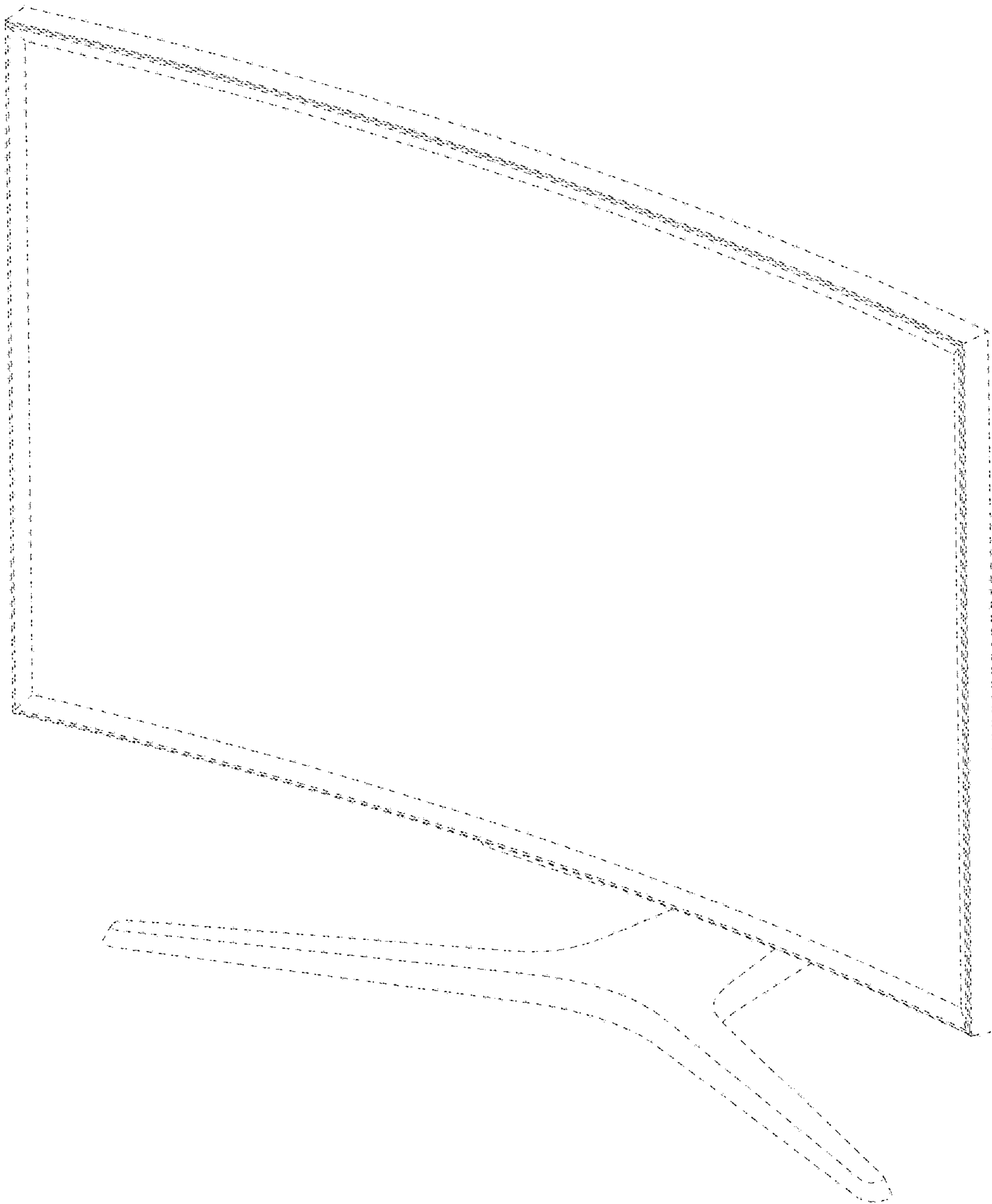


FIG.12

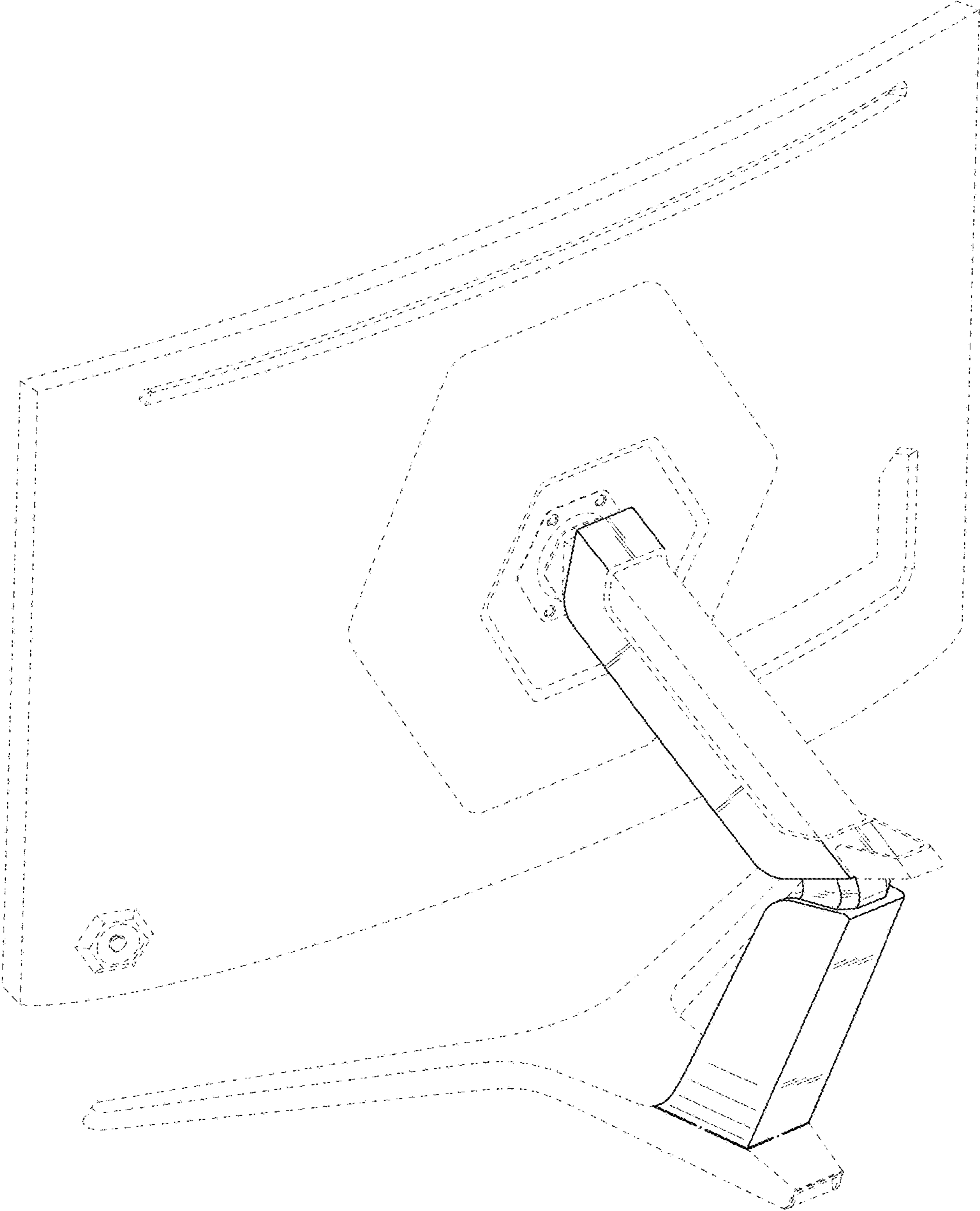


FIG. 13

