



US00D809516S

(12) **United States Design Patent** (10) **Patent No.:** **US D809,516 S**
Tabata et al. (45) **Date of Patent:** **** Feb. 6, 2018**

(54) **HEAD MOUNTED DISPLAY**
(71) Applicant: **Panasonic Intellectual Property Management Co., Ltd., Osaka (JP)**
(72) Inventors: **Taichi Tabata, Kanagawa (JP); Kazuhiro Konishi, Tokyo (JP); Yasutoki Manda, Kanagawa (JP); Katsuhiko Kitade, Tokyo (JP)**
(73) Assignee: **Panasonic Intellectual Property Management Co., Ltd., Osaka (JP)**

D758,367 S * 6/2016 Natsume D14/372
D771,626 S * 11/2016 Ko D14/372
D776,110 S * 1/2017 Gribetz D14/372
D778,909 S * 2/2017 Nokuo D14/372
D781,289 S * 3/2017 Patel D14/372
D785,619 S * 5/2017 Su D14/372
D791,129 S * 7/2017 Sullivan D14/372
D795,867 S * 8/2017 Huang D14/372
D798,298 S * 9/2017 Haber D14/372
D798,862 S * 10/2017 Wang D14/372
D800,115 S * 10/2017 Li D14/372
D800,117 S * 10/2017 Yee D14/372
D800,726 S * 10/2017 Su D14/372

* cited by examiner

(**) Term: **15 Years**
(21) Appl. No.: **29/593,277**
(22) Filed: **Feb. 8, 2017**

Primary Examiner — Austin Murphy
(74) *Attorney, Agent, or Firm* — Panasonic IP Management; Kerry S. Culpepper

(30) **Foreign Application Priority Data**

Dec. 16, 2016 (JP) 2016-027254

(51) **LOC (11) Cl.** **14-02**

(52) **U.S. Cl.**
USPC **D14/372**

(58) **Field of Classification Search**
USPC D14/372, 496, 432, 371, 125, 126, 129, D14/299; D16/300-342; 351/158, 153, 351/144; 345/7-9, 905; 455/344; 348/115, 53, 121, 739
CPC G02B 27/017; G02B 27/0158; G02B 27/0161; G02B 27/0181; G02B 27/0185; G02B 27/0189
See application file for complete search history.

(56) **References Cited**

U.S. PATENT DOCUMENTS

D727,896 S * 4/2015 Lалуque D14/372
D739,855 S * 9/2015 Bosveld D14/372
D741,327 S * 10/2015 Reznik D14/372
D753,111 S * 4/2016 Fei D14/372

(57) **CLAIM**

We claim the ornamental design for a head mounted display, as shown and described.

DESCRIPTION

FIG. 1 is a front perspective view of a head mounted display of the present invention;
FIG. 2 is a rear perspective view thereof;
FIG. 3 is a front view thereof;
FIG. 4 is a rear view thereof;
FIG. 5 is a first side view thereof;
FIG. 6 is a second side view thereof;
FIG. 7 is a top view thereof;
FIG. 8 is a bottom view thereof; and,
FIG. 9 is a rear perspective view thereof with the slide adjusting arm moved.
The broken line showing of head mounted display is included for the purpose of illustrating environment and forms no part of the claimed design. Additionally, the unevenly broken lines in the drawings define the limits of the claimed design.

1 Claim, 9 Drawing Sheets

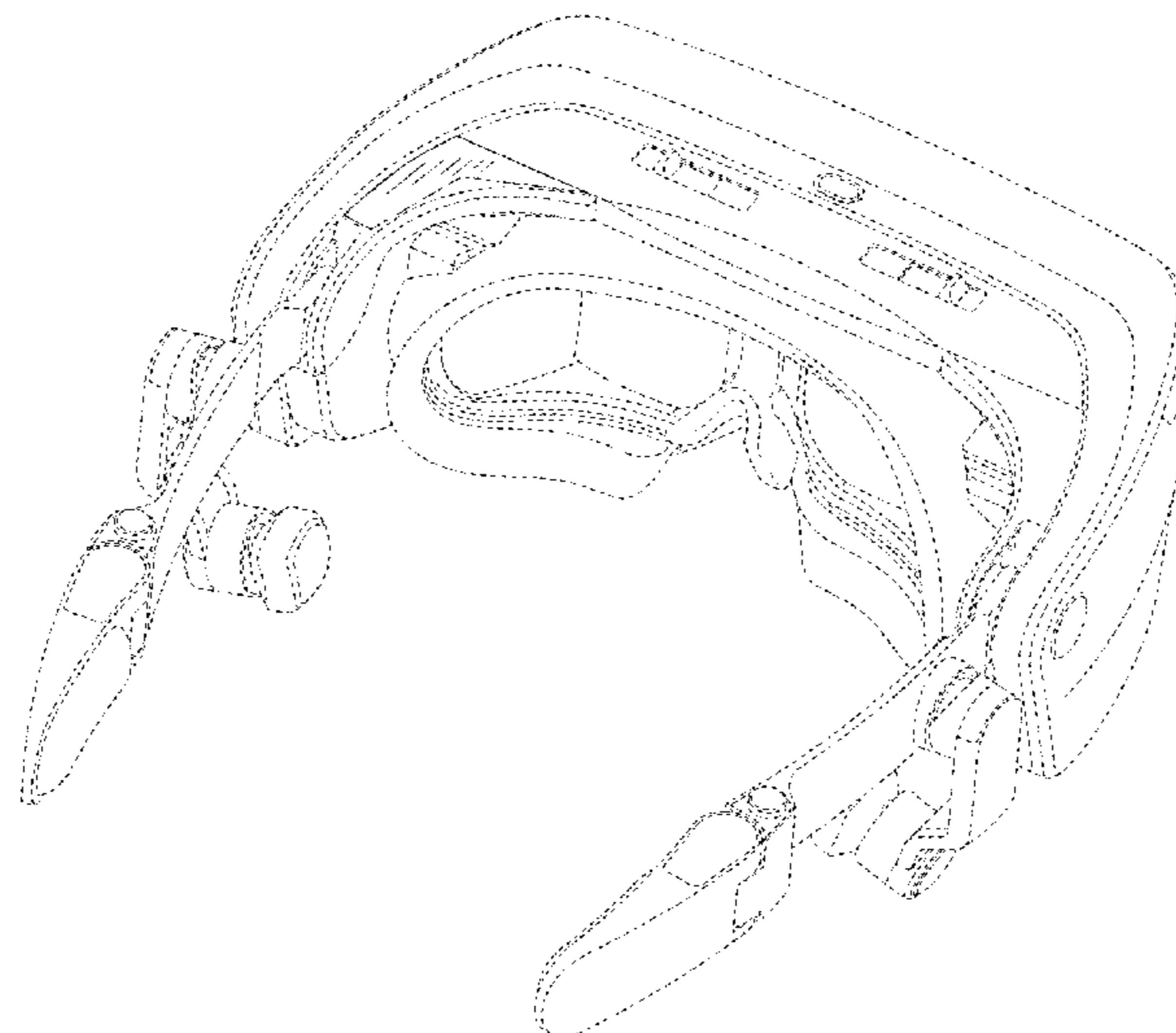


FIG. 1

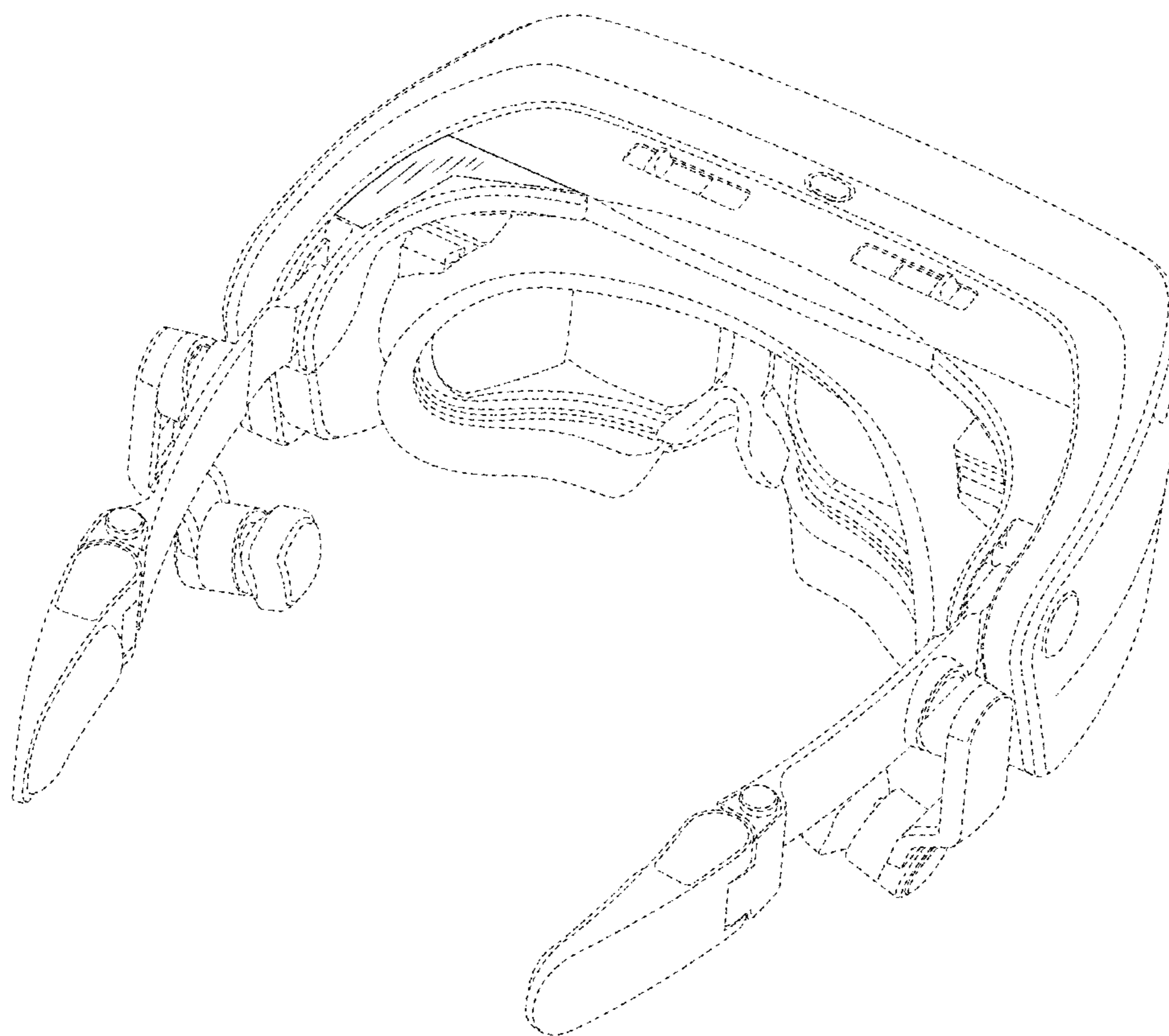


FIG. 2

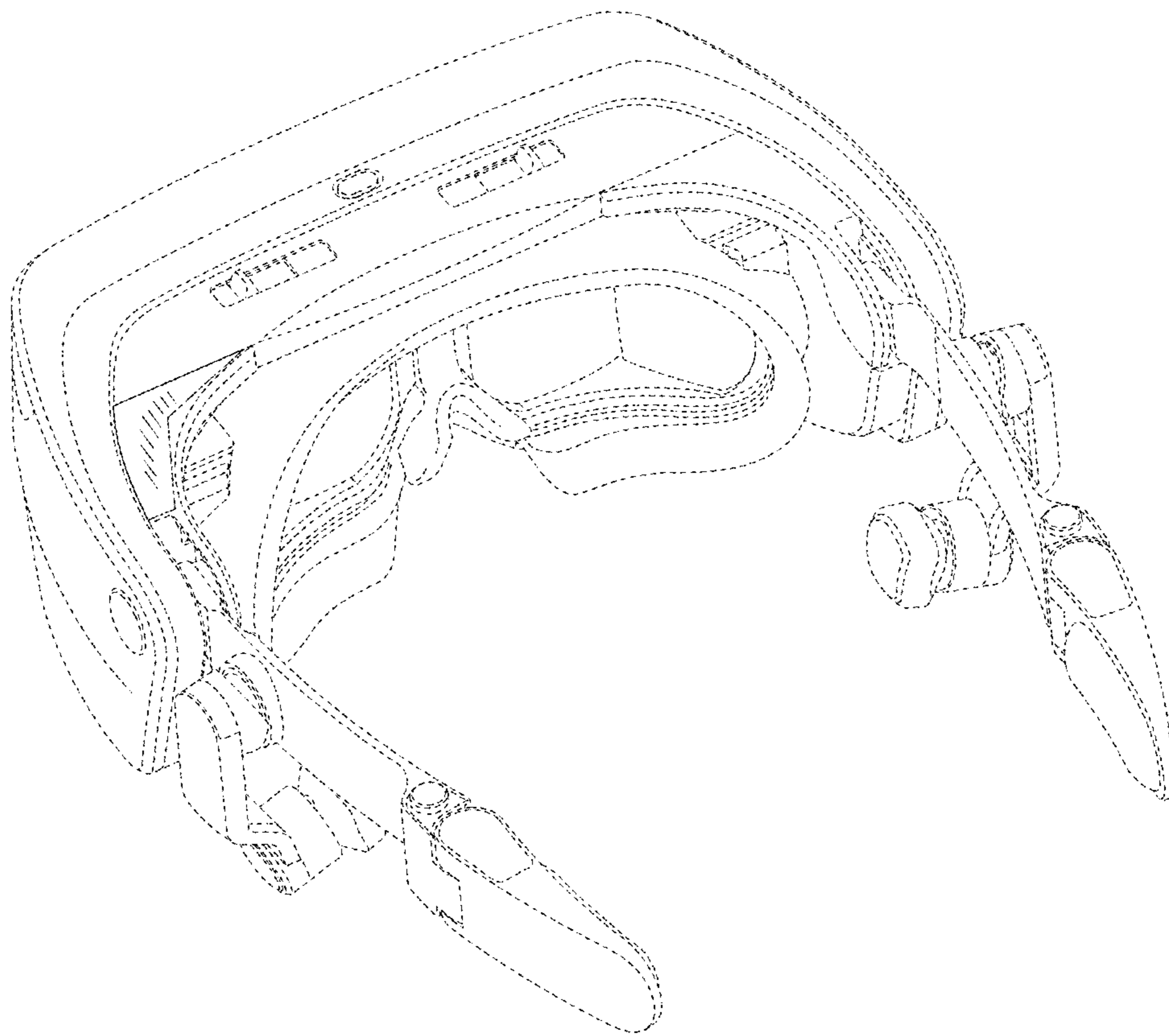


FIG. 3

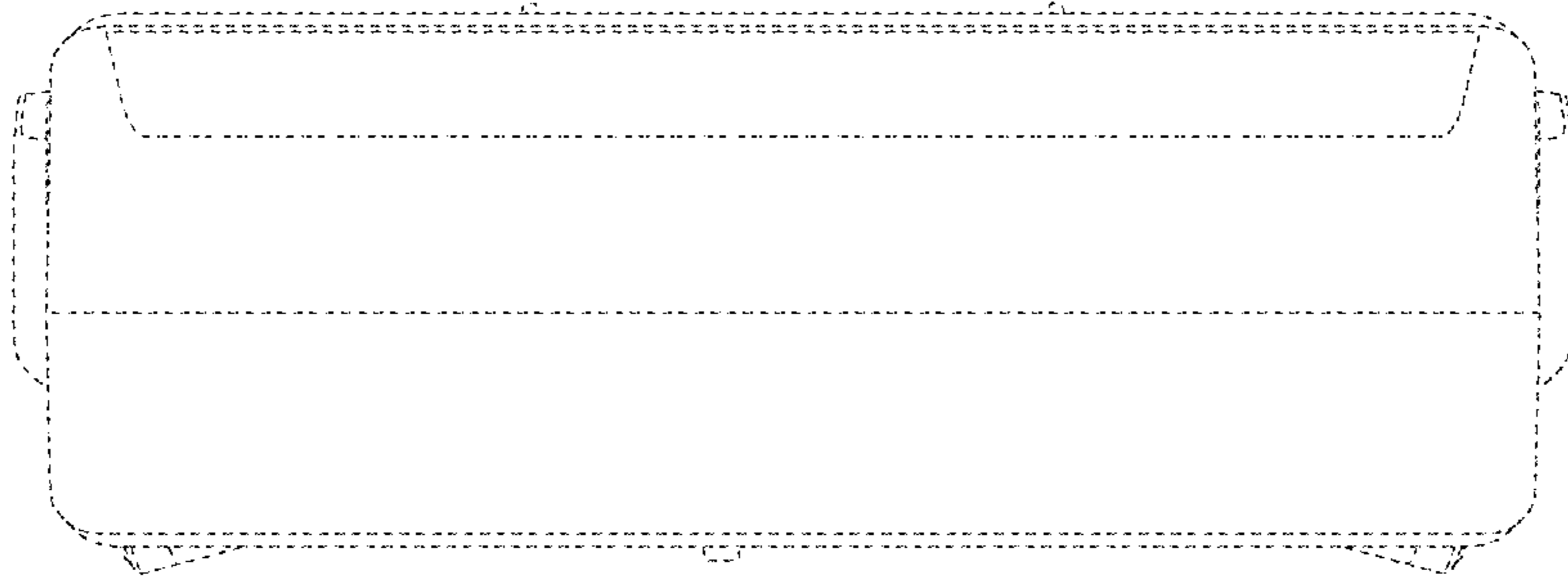


FIG. 4

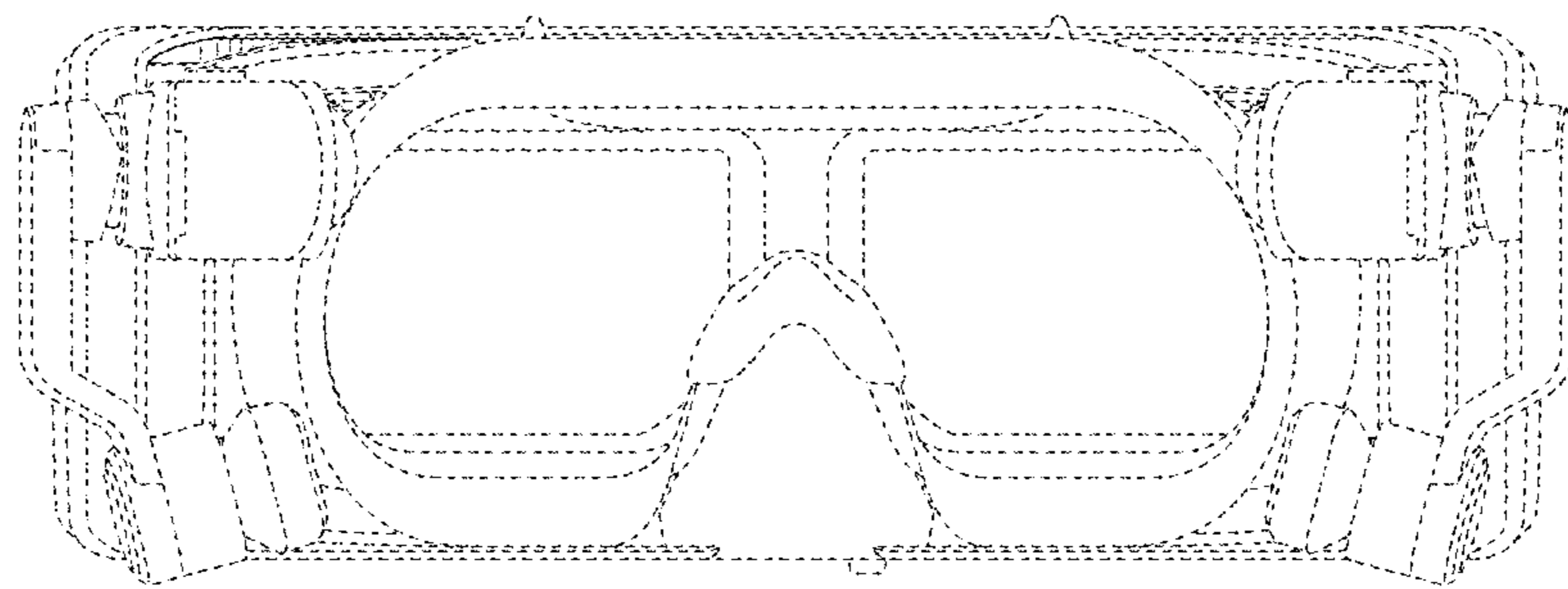


FIG. 5

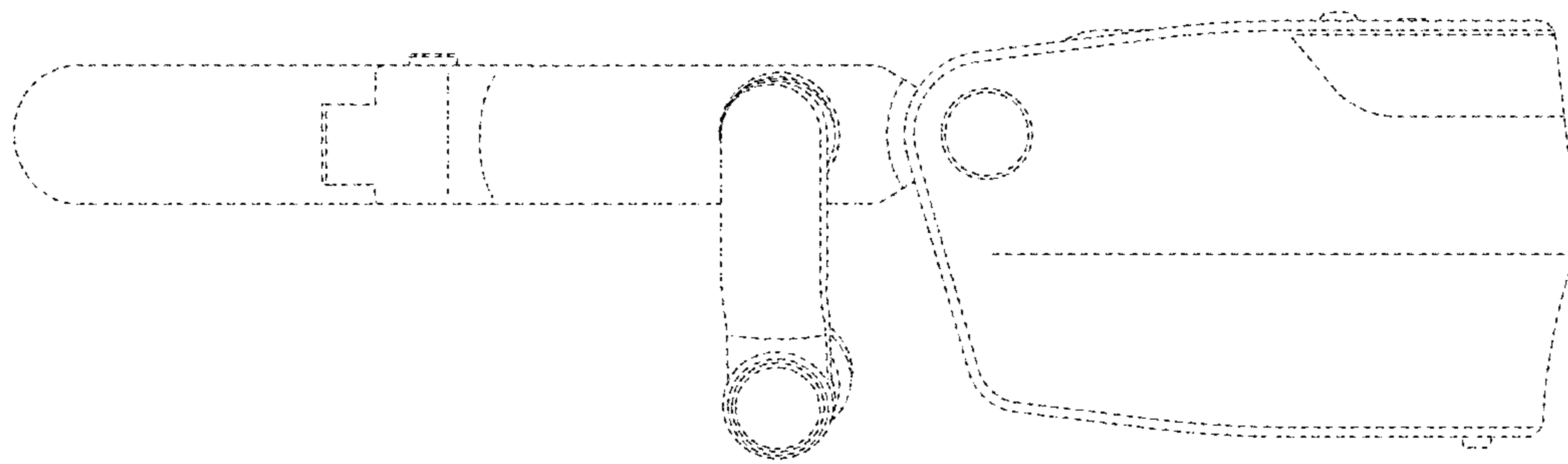


FIG. 6

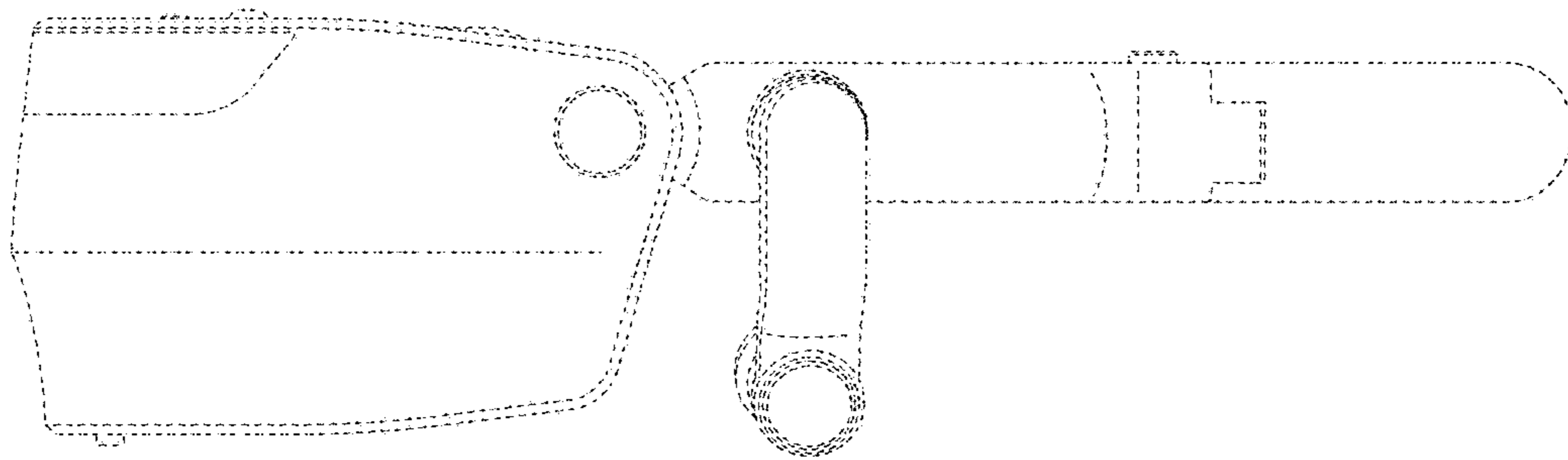


FIG. 7

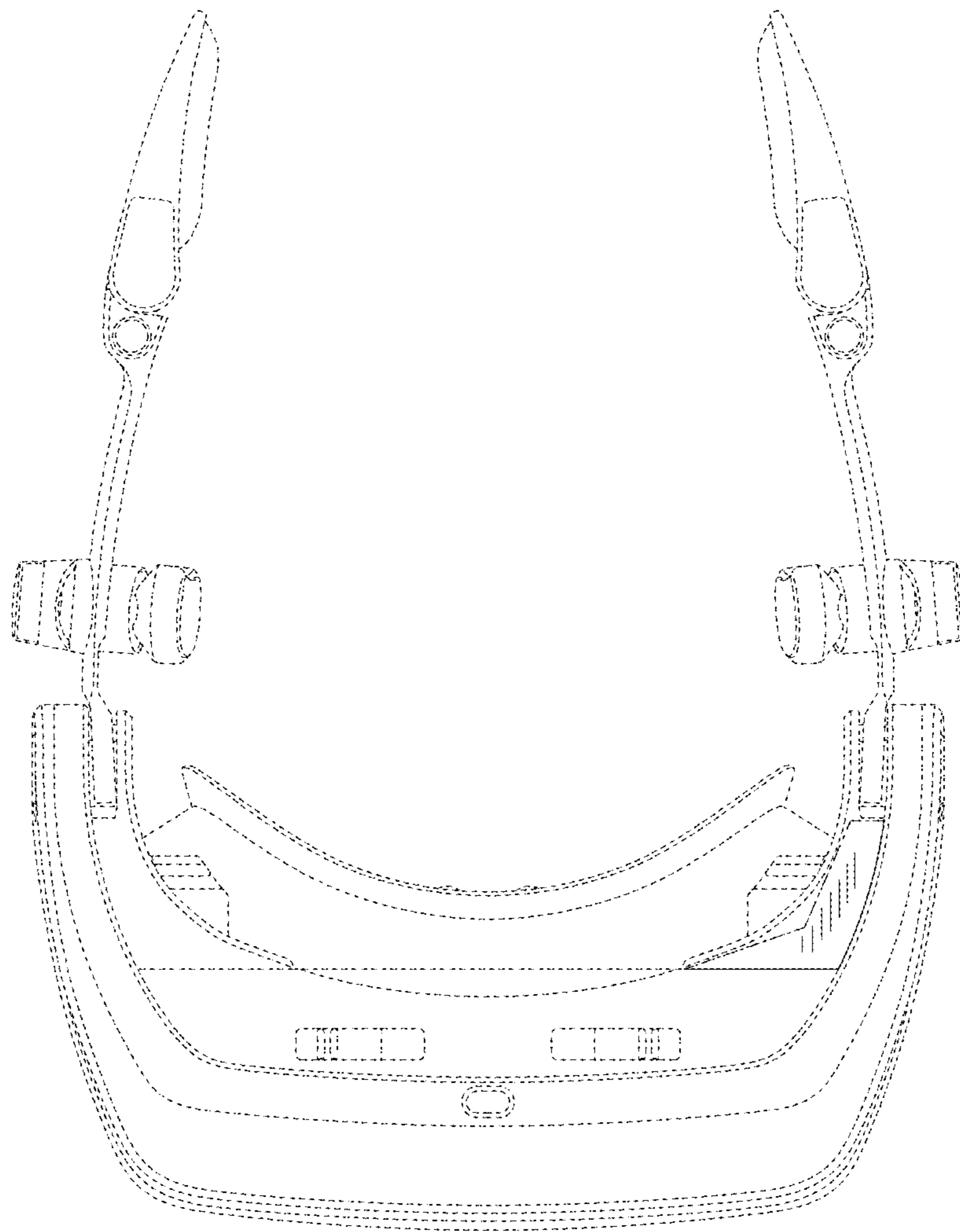


FIG. 8

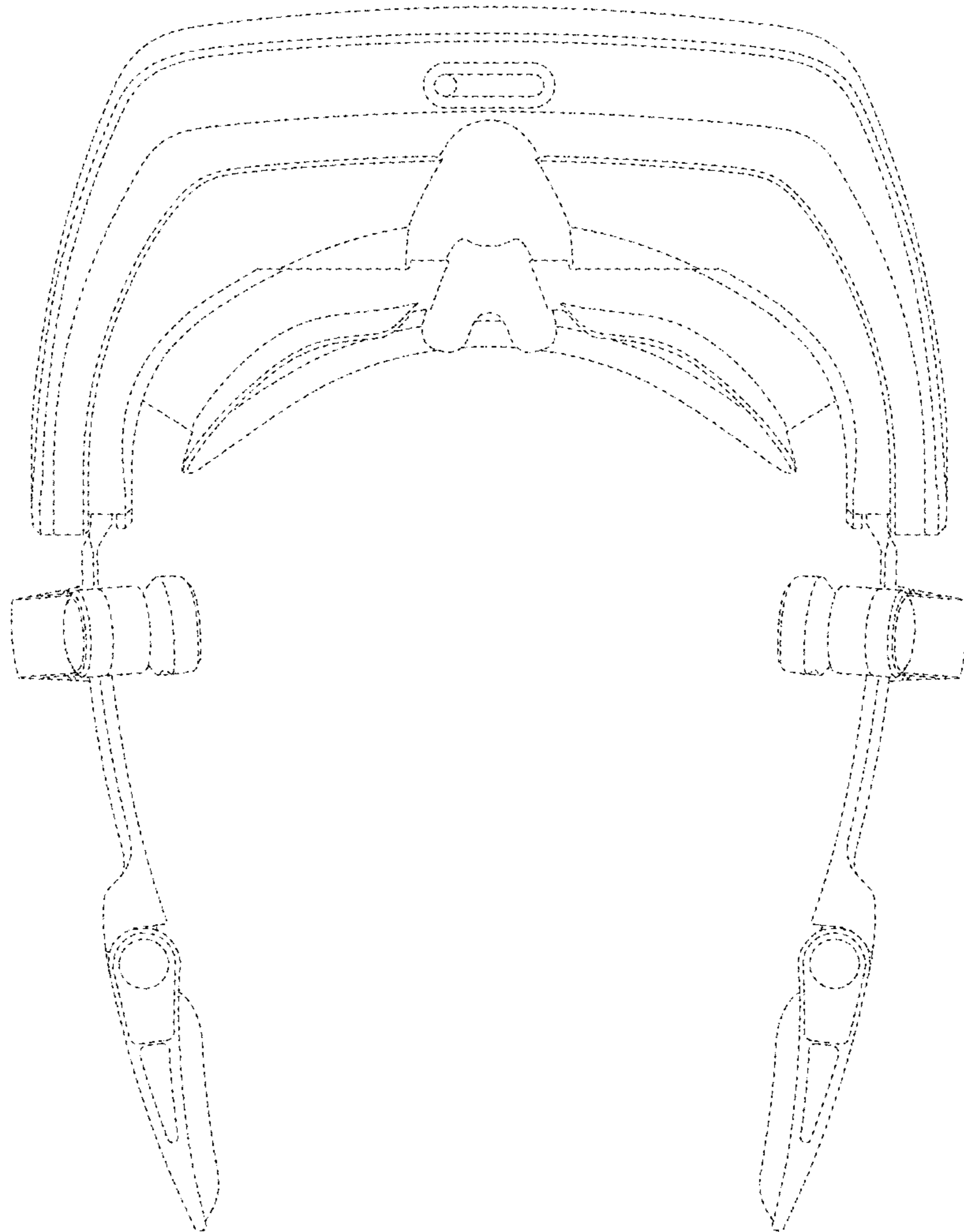


FIG. 9

