



US00D809512S

(12) **United States Design Patent**  
**Mistry et al.**

(10) **Patent No.:** **US D809,512 S**

(45) **Date of Patent:** **\*\* Feb. 6, 2018**

(54) **ELECTRONIC DEVICE**

(71) Applicant: **SAMSUNG ELECTRONICS CO., LTD.**, Suwon-si (KR)

(72) Inventors: **Pranav Mistry**, Campbell, CA (US);  
**Curtis D. Aumiller**, San Jose, CA (US);  
**Chengyuan Wei**, Sunnyvale, CA (US);  
**Jiawei Zhang**, Sunnyvale, CA (US)

(73) Assignee: **SAMSUNG ELECTRONICS CO., LTD.**, Suwon-Si (KR)

(\*\*) Term: **15 Years**

(21) Appl. No.: **29/550,915**

(22) Filed: **Jan. 8, 2016**

(51) **LOC (11) Cl.** ..... **14-02**

(52) **U.S. Cl.**  
USPC ..... **D14/344**

(58) **Field of Classification Search**  
USPC ..... D14/344, 138 R, 144, 358; D24/167,  
D24/169, 186-187; D11/3, 93-94;  
D10/30-39, 70, 98; 379/433.1;  
361/679.03  
CPC ..... G06F 1/163; G06F 1/1628; G06F 1/1626;  
G06F 1/1635; G06F 1/08; G06F 1/10;  
G06F 1/04; G06F 1/14; G06F 1/3203;  
A41D 1/002; H04M 1/02; H04M 1/03;  
H04M 1/04; H04M 1/05; H04M 1/667;  
H04M 1/6058; Y02B 60/12; H04B 1/385;  
H04B 1/3888; H04B 1/3833; G06Q  
20/10; G06Q 20/108; G06Q 20/12; G06Q  
20/145

See application file for complete search history.

(56) **References Cited**

**U.S. PATENT DOCUMENTS**

D244,916 S \* 7/1977 Ueno ..... D10/38  
D250,634 S \* 12/1978 Porsche ..... D10/32

D355,613 S \* 2/1995 Takani ..... D10/30  
D356,270 S \* 3/1995 Kaneko ..... D10/32  
D389,070 S \* 1/1998 Galli ..... D10/30  
5,748,571 A \* 5/1998 Jackl ..... G04B 37/225  
224/164  
D429,168 S \* 8/2000 Jannard ..... D10/30  
D439,528 S \* 3/2001 Eliav ..... D10/30

(Continued)

**OTHER PUBLICATIONS**

King-Wear KW18 Smart Watch Phone CPU MTK2502C Metal Plating OGS Capacitive Screen with Anodic Oxidation Treatment Wrist Watch, posted Jun. 14, 2016, [retrieved Jun. 24, 2017]. Retrieved from Internet, <URL: <https://www.amazon.com/KING-WEAR-MTK2502C-Capacitive-Oxidation-Treatment/dp/B01FOECMMU>>.\*

(Continued)

*Primary Examiner* — Barbara Fox

*Assistant Examiner* — Kristin E Reed

(74) *Attorney, Agent, or Firm* — Sughrue Mion, PLLC

(57) **CLAIM**

The ornamental design for an electronic device, as shown and described.

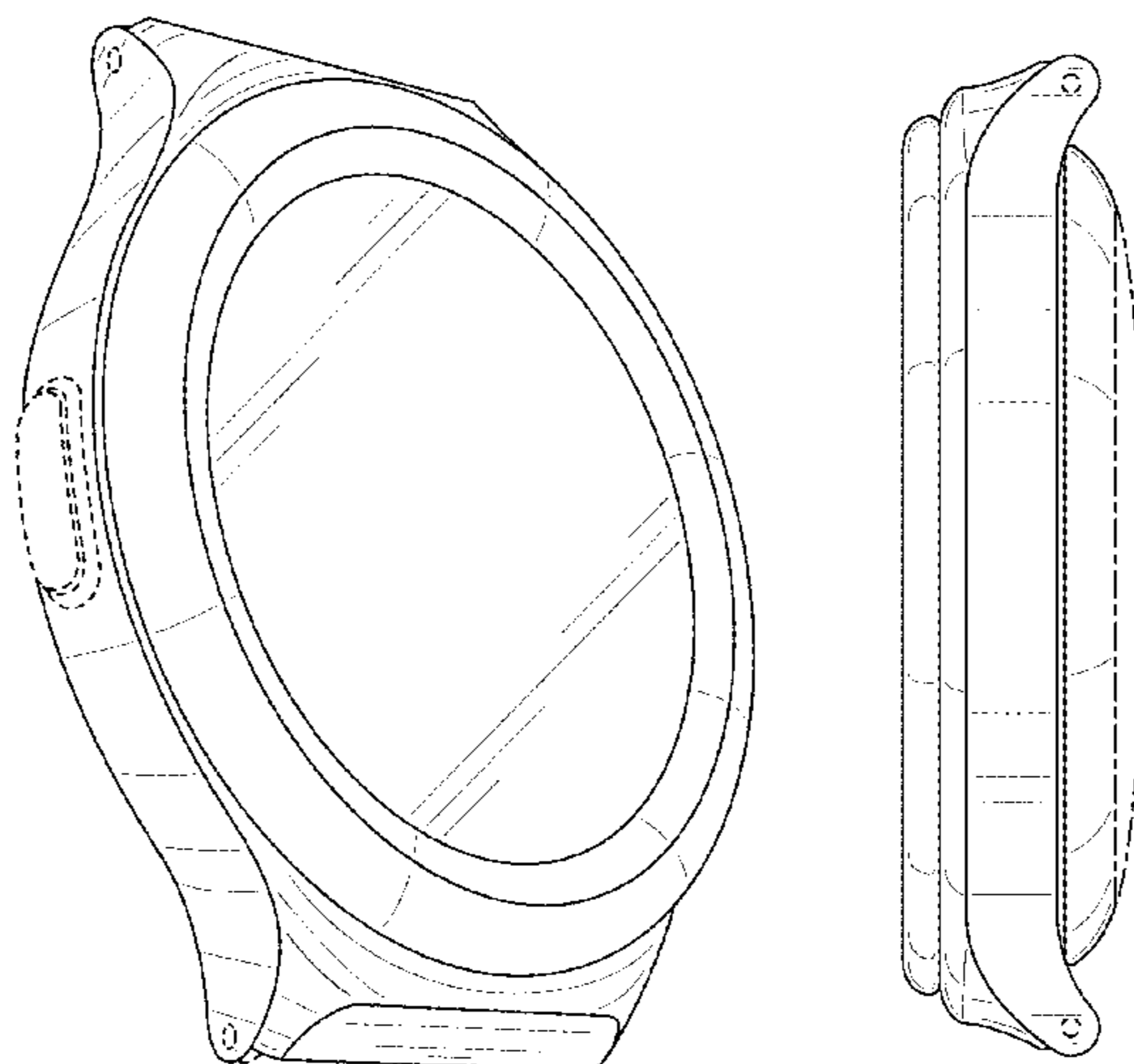
**DESCRIPTION**

FIG. 1 is a top front perspective view of an electronic device showing our new design;  
FIG. 2 is a top view thereof;  
FIG. 3 is a bottom view thereof;  
FIG. 4 is a front view thereof;  
FIG. 5 is a rear view thereof;  
FIG. 6 is a left view thereof; and,  
FIG. 7 is a right view thereof.

The features shown in dash-dash broken lines depict portions of the electronic device that form no part of the claimed design.

The dash-dot broken lines define the bounds of the claimed design and form no part thereof.

**1 Claim, 5 Drawing Sheets**



(56)

**References Cited**

## U.S. PATENT DOCUMENTS

D451,819	S	*	12/2001	Streltsov	.....	D10/30
D559,125	S	*	1/2008	Figueiredo	.....	D10/38
D563,244	S	*	3/2008	Wei	.....	D10/38
D581,811	S	*	12/2008	Messmer	.....	D10/32
D583,682	S	*	12/2008	Blank	.....	D10/32
D631,373	S	*	1/2011	Mikkelsen	.....	D10/32
D649,480	S	*	11/2011	Scott	.....	D10/32
D653,968	S	*	2/2012	Blank	.....	D10/32
D661,206	S	*	6/2012	Register	.....	D10/38
D709,874	S	*	7/2014	Aumiller	.....	D14/344
D717,759	S	*	11/2014	Choi	.....	D10/38
D725,073	S	*	3/2015	Ji	.....	D10/38
D732,981	S	*	6/2015	Waecker	.....	D10/38
D733,579	S	*	7/2015	Arellano	.....	D10/38
D753,109	S	*	4/2016	Kim	.....	D10/38
D779,342	S	*	2/2017	Lintz	.....	D10/30

## OTHER PUBLICATIONS

Alcatel OneTouch's new device family has a pretty tempting smartwatch, posted Sep. 4, 2014, [retrieved Jun. 24, 2017]. Retrieved from Internet, <URL: <https://www.engadget.com/2014/09/04/alcatel-hero-2-hero-8-smartwatch/>>.\*

Google's smartwatches get one critical thing wrong, posted Oct. 1, 2015, [retrieved Jun. 24, 2017]. Retrieved from Internet, <URL: <http://www.businessinsider.com/android-wear-notifications-are-bad-on-smartwatches-2015-9>>.\*

\* cited by examiner

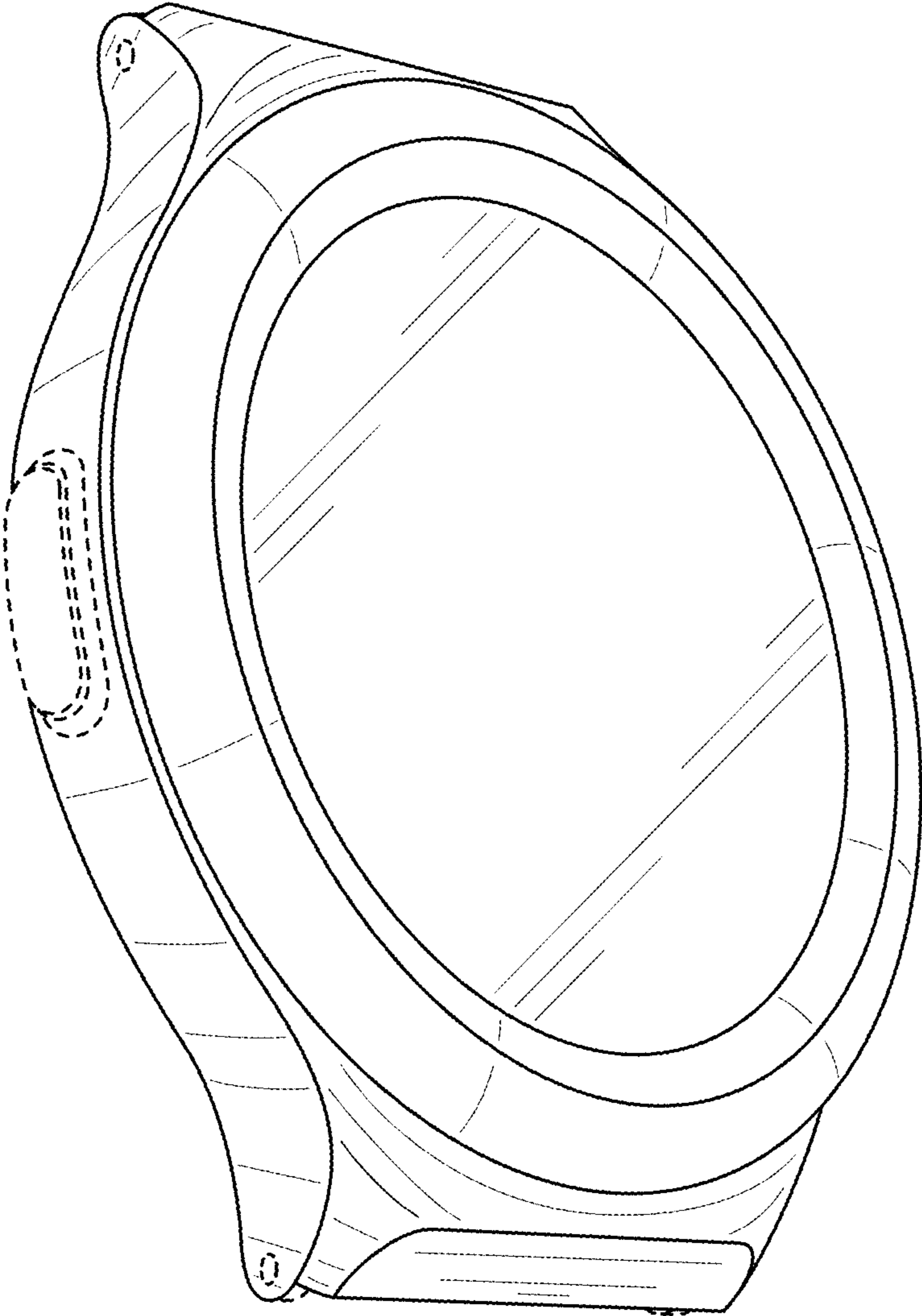


FIG. 1

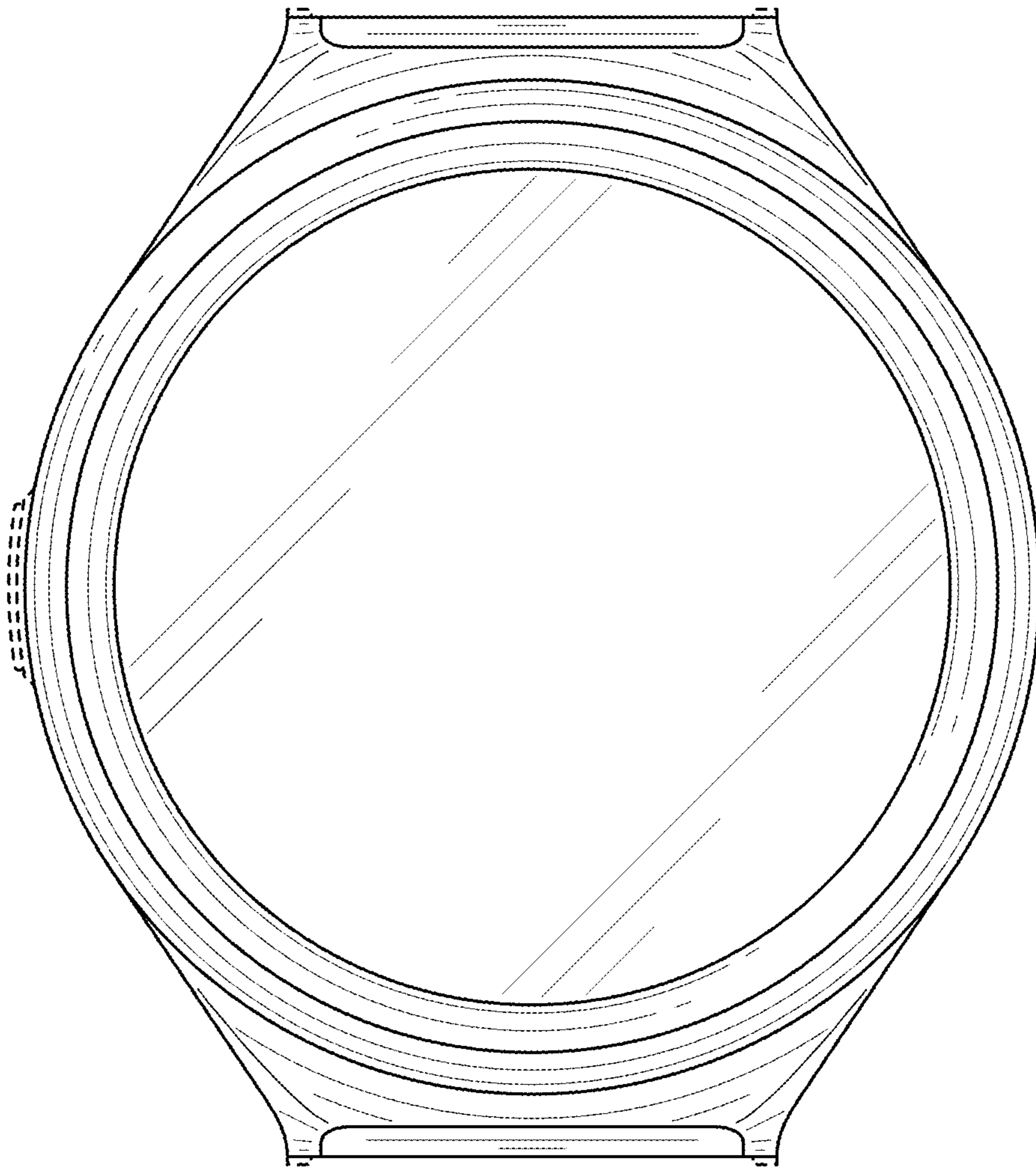


FIG. 2



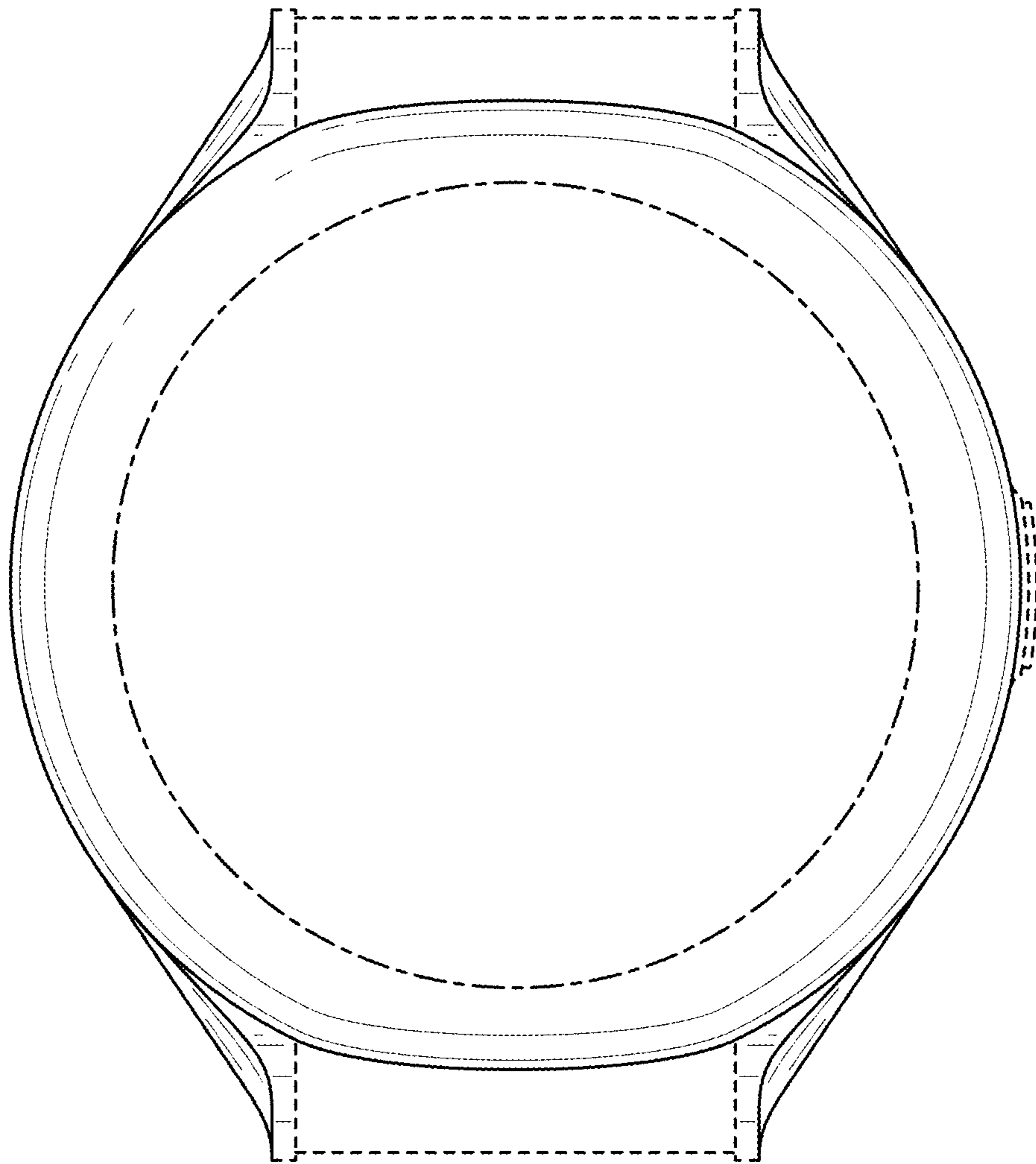


FIG. 3

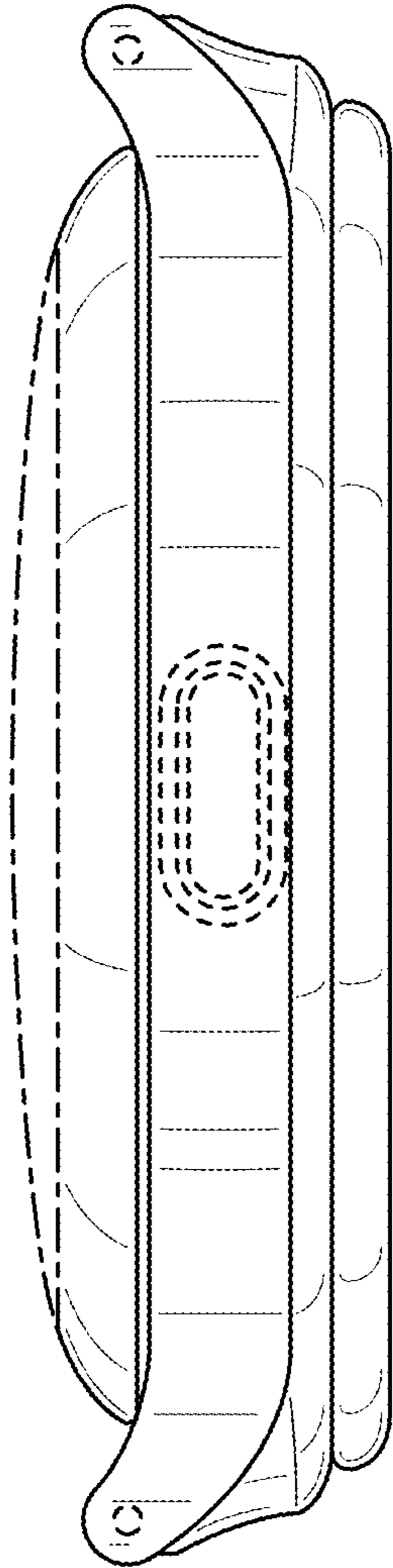


FIG. 4

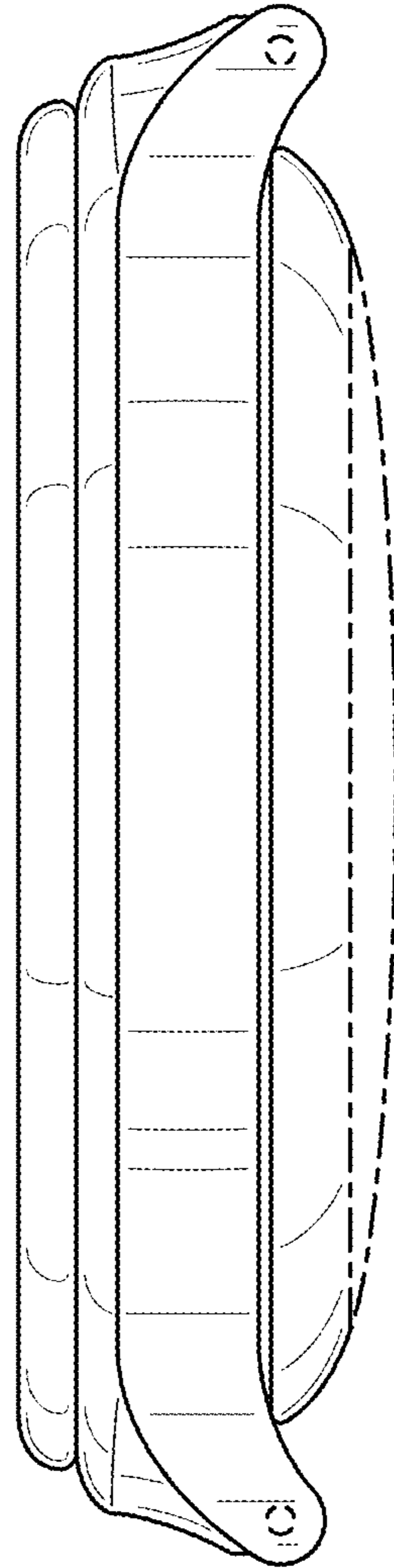


FIG. 5

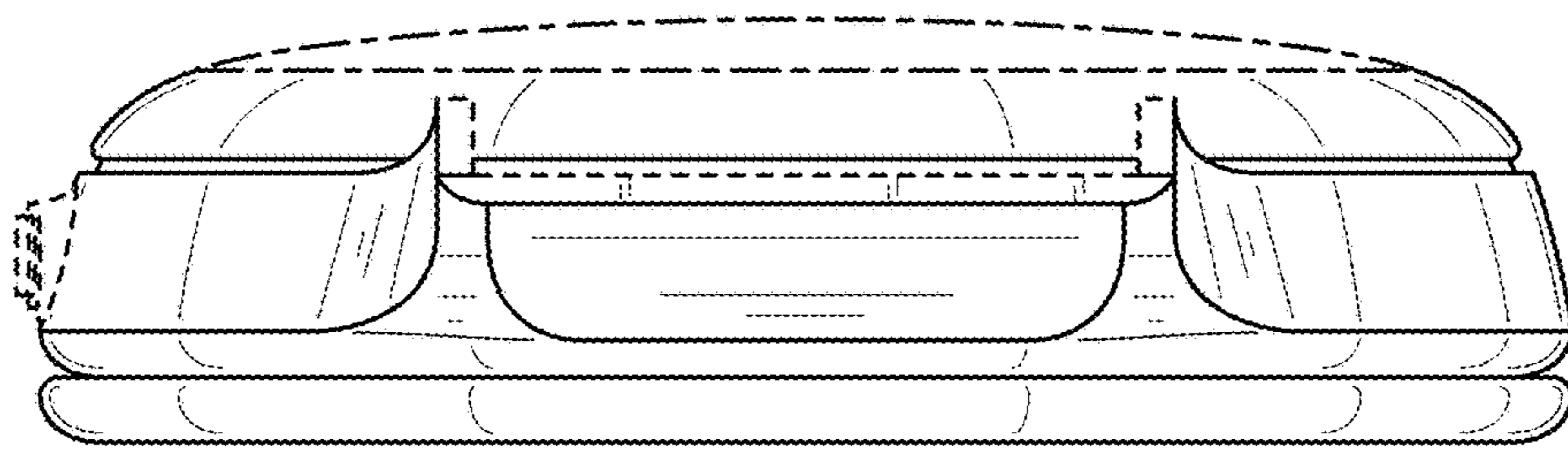


FIG. 6

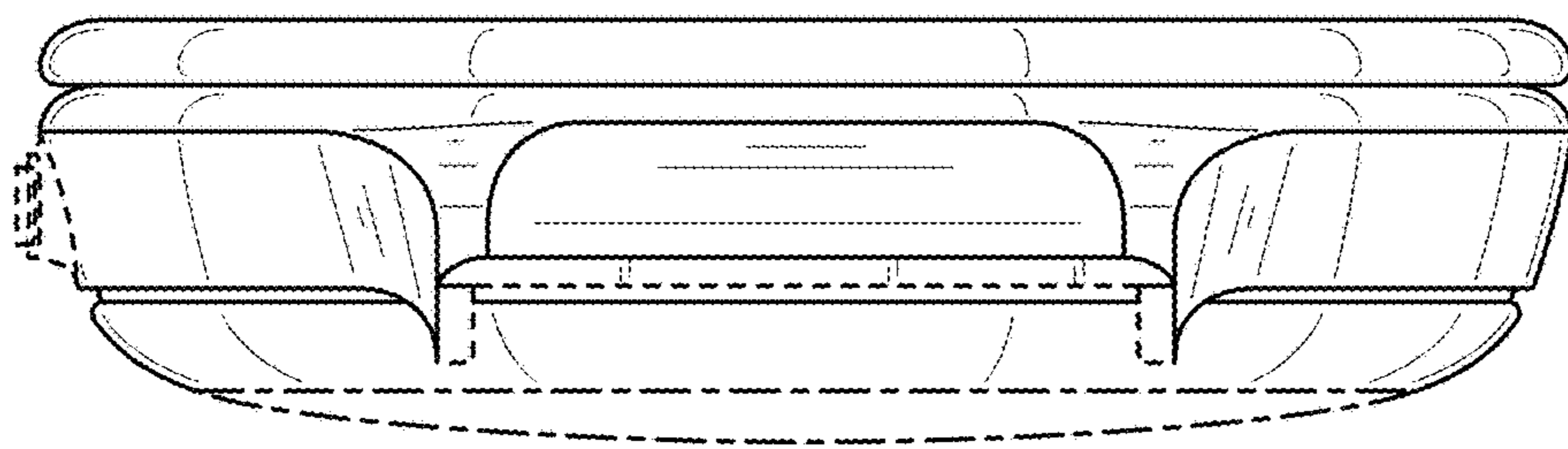


FIG. 7