

US00D809511S

(12) **United States Design Patent**
Mistry et al.

(10) **Patent No.:** **US D809,511 S**

(45) **Date of Patent:** **** Feb. 6, 2018**

(54) **ELECTRONIC DEVICE**

(71) Applicant: **SAMSUNG ELECTRONICS CO., LTD.**, Suwon-si (KR)

(72) Inventors: **Pranav Mistry**, Campbell, CA (US);
Curtis D. Aumiller, San Jose, CA (US);
Chengyuan Wei, Sunnyvale, CA (US);
Jiawei Zhang, Sunnyvale, CA (US)

(73) Assignee: **SAMSUNG ELECTRONICS CO., LTD.**, Suwon-Si (KR)

(**) Term: **15 Years**

(21) Appl. No.: **29/550,044**

(22) Filed: **Dec. 30, 2015**

(51) **LOC (11) Cl.** **14-02**

(52) **U.S. Cl.**
USPC **D14/344**

(58) **Field of Classification Search**
USPC D14/344, 138 R, 144, 358; D24/167,
D24/169, 186-187; D11/3, 93-94;
D10/30-39, 70, 98; 379/433.1;
361/679.03
CPC G06F 1/163; G06F 1/1628; G06F 1/1626;
G06F 1/1635; G06F 1/08; G06F 1/10;
G06F 1/04; G06F 1/14; G06F 1/3203;
A41D 1/002; H04M 1/02; H04M 1/03;
H04M 1/04; H04M 1/05; H04M 1/667;
H04M 1/6058; Y02B 60/12; H04B 1/385;
H04B 1/3888; H04B 1/3833; G06Q
20/10; G06Q 20/108; G06Q 20/12; G06Q
20/145

See application file for complete search history.

(56) **References Cited**

U.S. PATENT DOCUMENTS

D402,565 S * 12/1998 Sato D10/30
D424,451 S * 5/2000 Houlihan D10/30

D438,474 S * 3/2001 Dumas D10/126
D583,682 S * 12/2008 Blank D10/32
D661,206 S * 6/2012 Register D10/38
D681,482 S * 5/2013 Ramos, Jr. D10/38
D709,874 S * 7/2014 Aumiller D14/344
D733,579 S * 7/2015 Arellano D10/38
D738,372 S * 9/2015 Song D10/32

(Continued)

OTHER PUBLICATIONS

King-Wear KW18 Smart Watch Phone CPU MTK2502C Metal Plating OGS Capacitive Screen with Anodic Oxidation Treatment Wrist Watch, posted Jun. 14, 2016, [retrieved Jun. 24, 2017]. Retrieved from Internet, <URL: <https://www.amazon.com/KING-WEAR-MTK2502C-Capacitive-Oxidation-Treatment/dp/B01FOECMMU>>.*

(Continued)

Primary Examiner — Barbara Fox

Assistant Examiner — Kristin E Reed

(74) *Attorney, Agent, or Firm* — Sughrue Mion, PLLC

(57) **CLAIM**

The ornamental design for an electronic device, as shown and described.

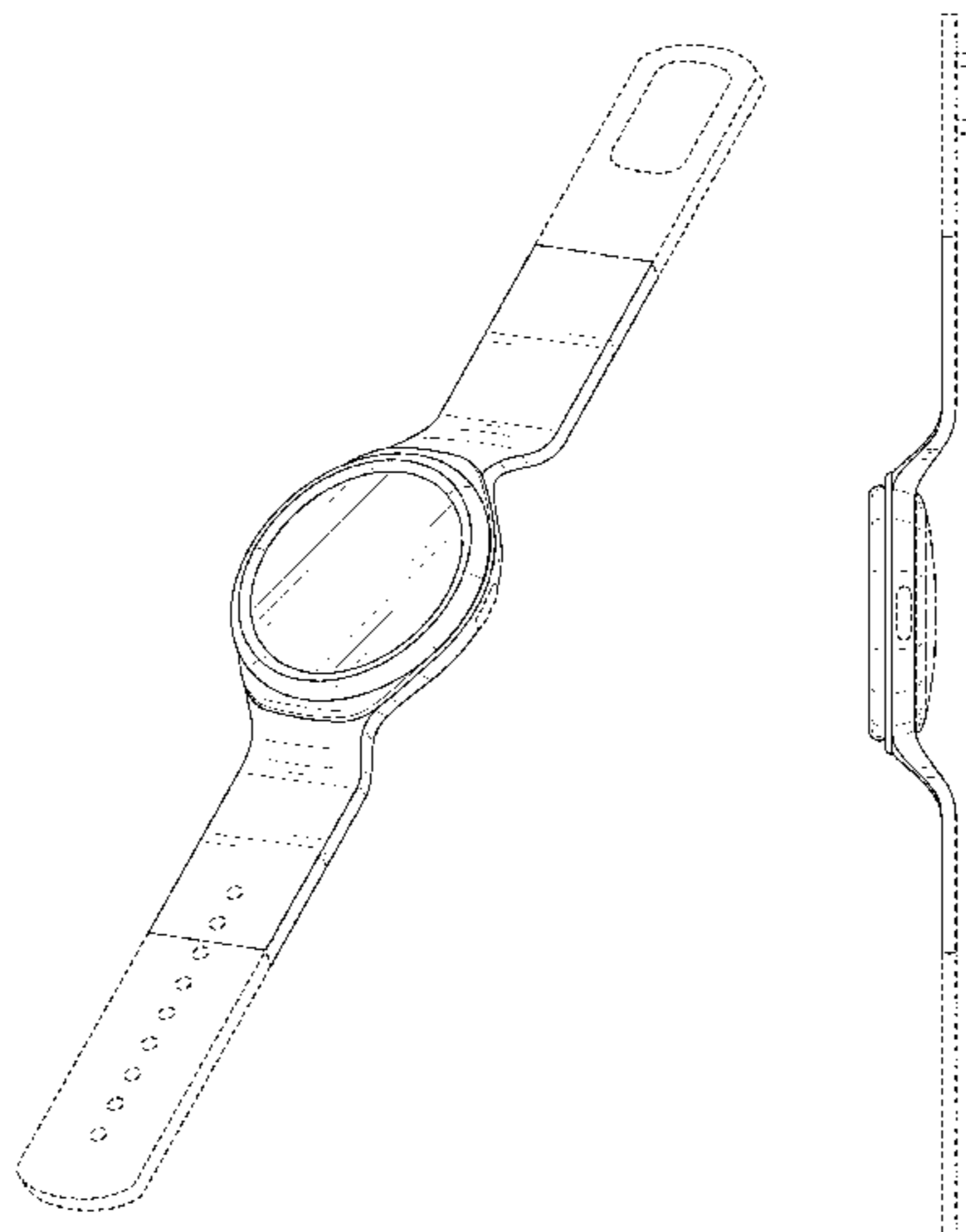
DESCRIPTION

FIG. 1 is a top rear perspective view of an electronic device showing our new design;
FIG. 2 is a top view thereof;
FIG. 3 is a bottom view thereof;
FIG. 4 is a front view thereof;
FIG. 5 is a rear view thereof;
FIG. 6 is a left view thereof; and,
FIG. 7 is a right view thereof.

The features shown in dash-dash broken lines depict portions of the electronic device that form no part of the claimed design.

The dash-dot broken lines define the bounds of the claimed design and form no part thereof.

1 Claim, 5 Drawing Sheets



(56)

References Cited

U.S. PATENT DOCUMENTS

D738,878 S * 9/2015 Lee D10/104.2
D784,982 S * 4/2017 Alberola D10/74

OTHER PUBLICATIONS

Alcatel OneTouch's new device family has a pretty tempting smartwatch, posted Sep. 4, 2014, [retrieved Jun. 24, 2017]. Retrieved from Internet, <URL: <https://www.engadget.com/2014/09/04/alcatel-hero-2-hero-8-smartwatch/>>.*

* cited by examiner

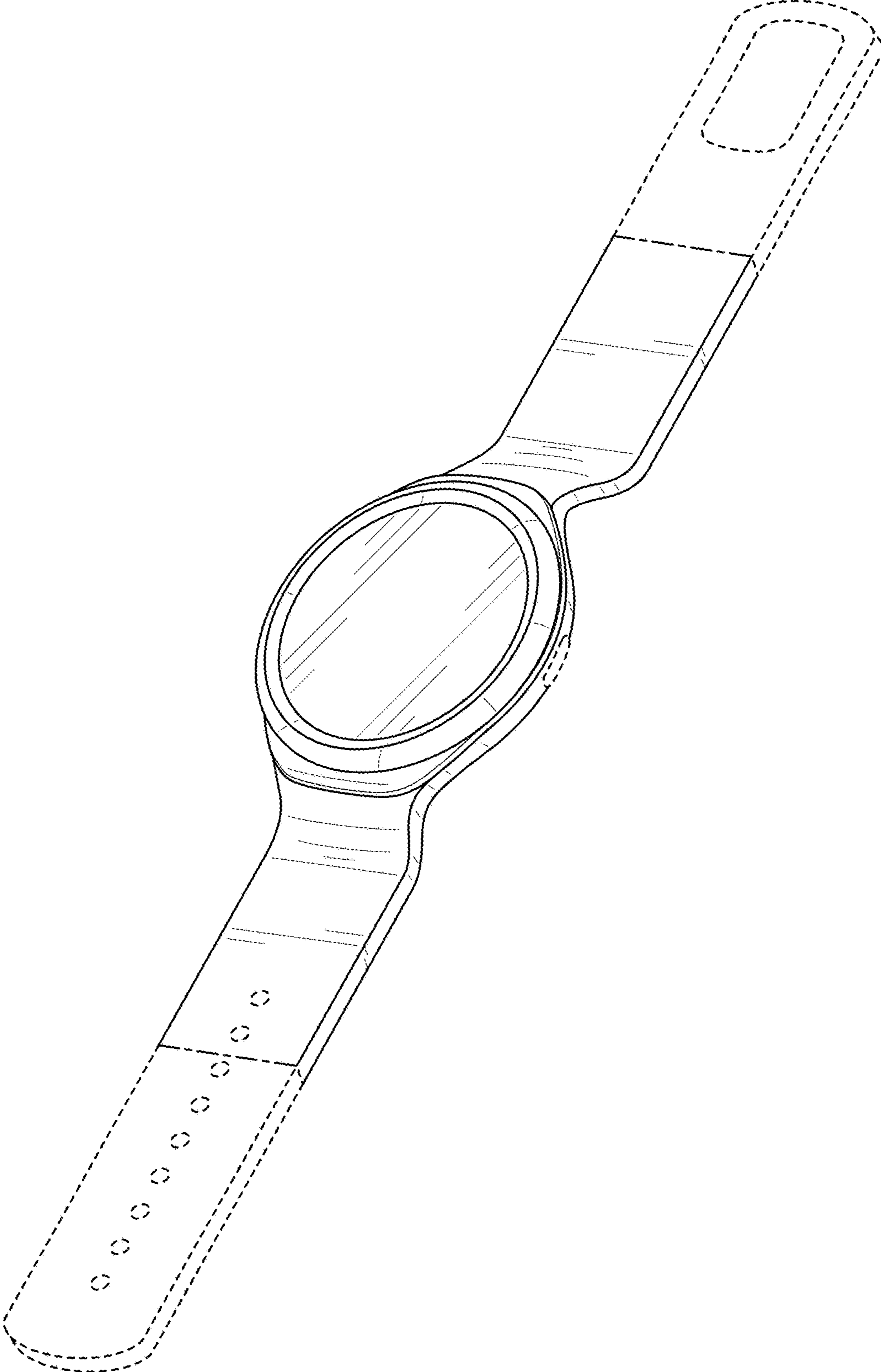


FIG. 1

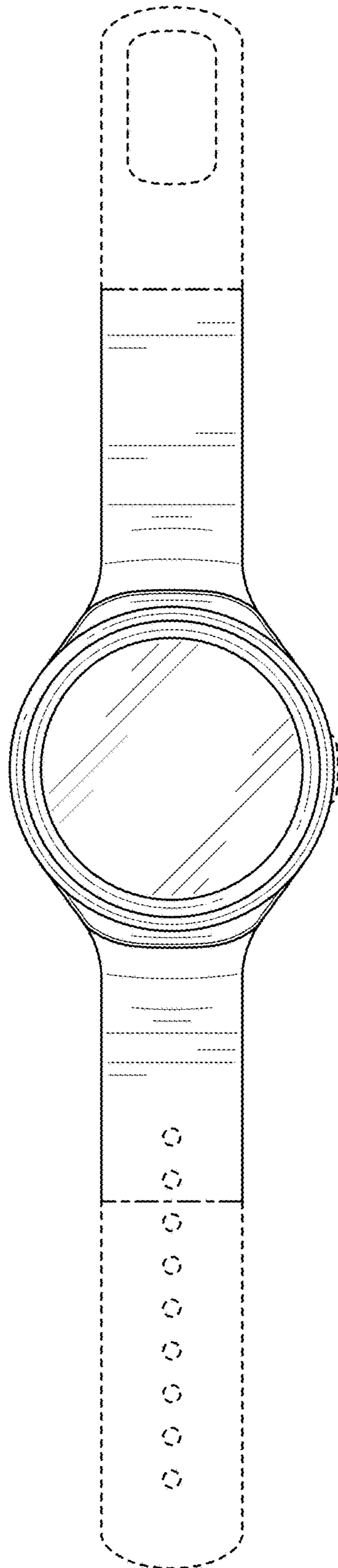


FIG. 2

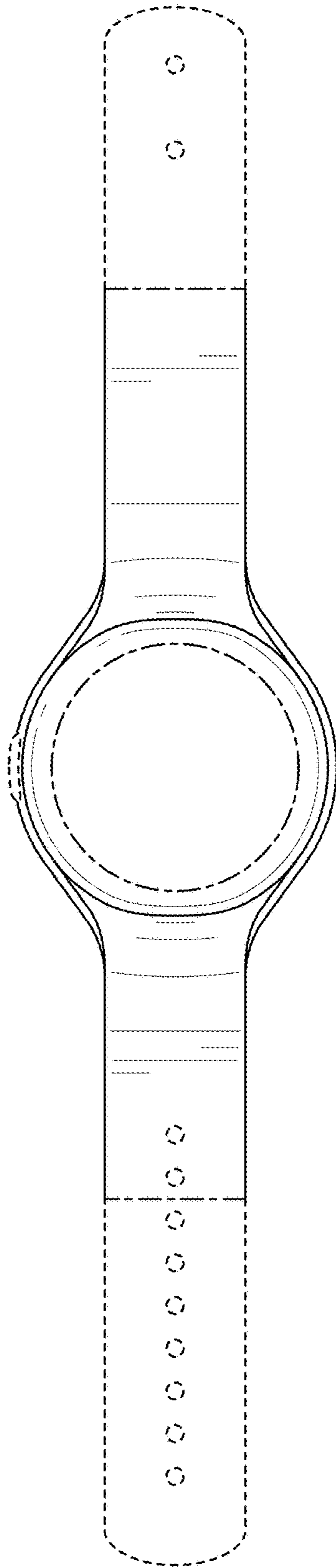


FIG. 3

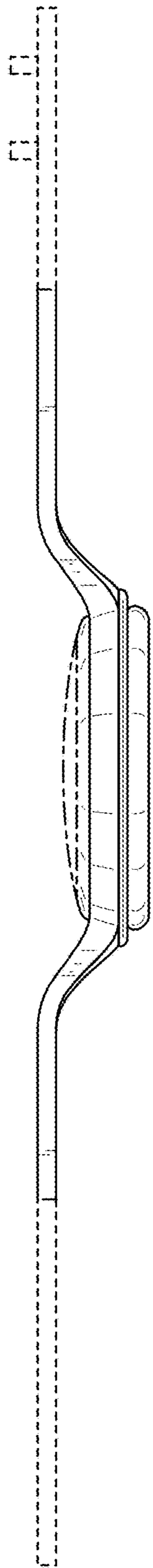


FIG. 4

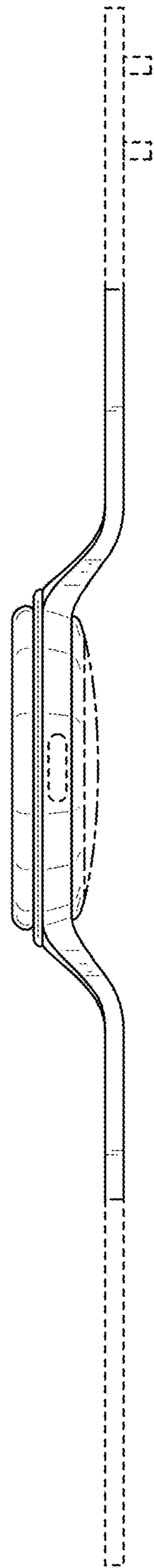


FIG. 5

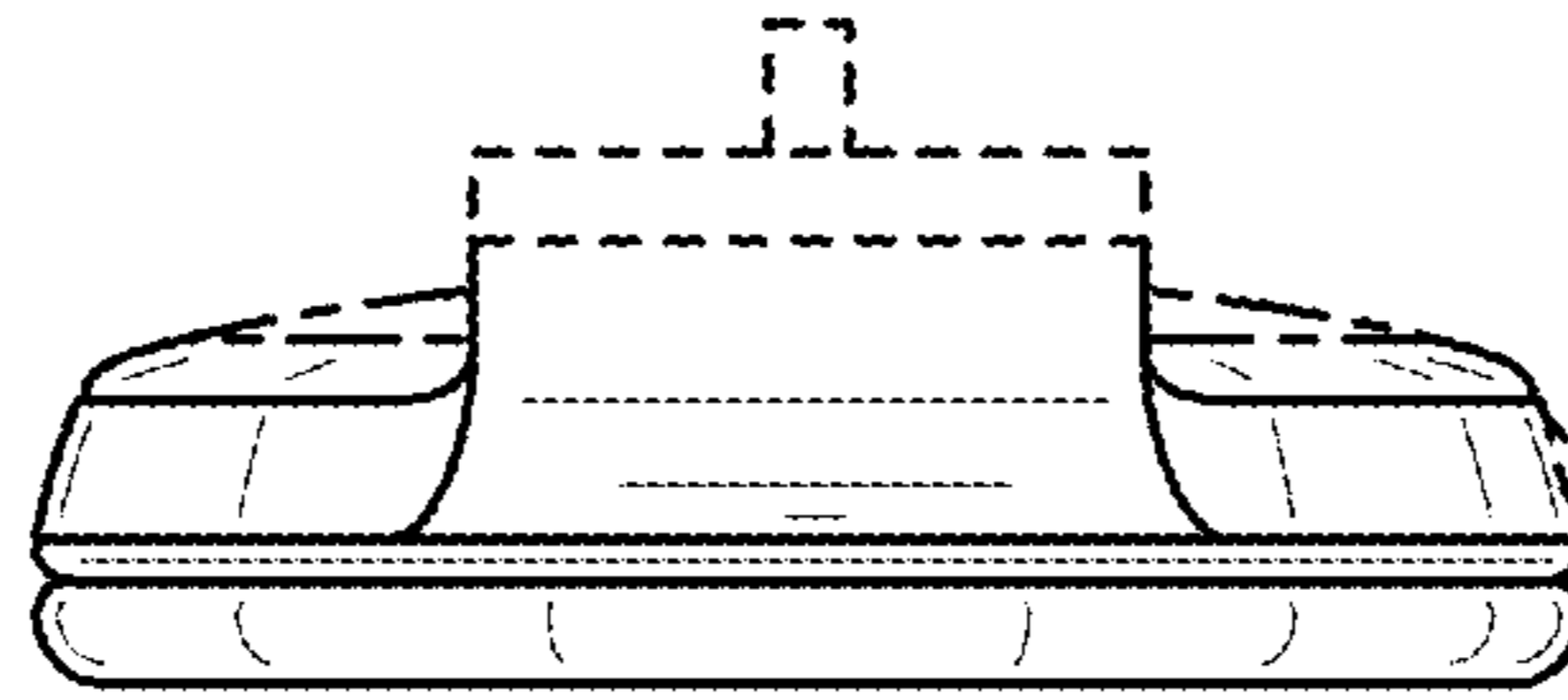


FIG. 6

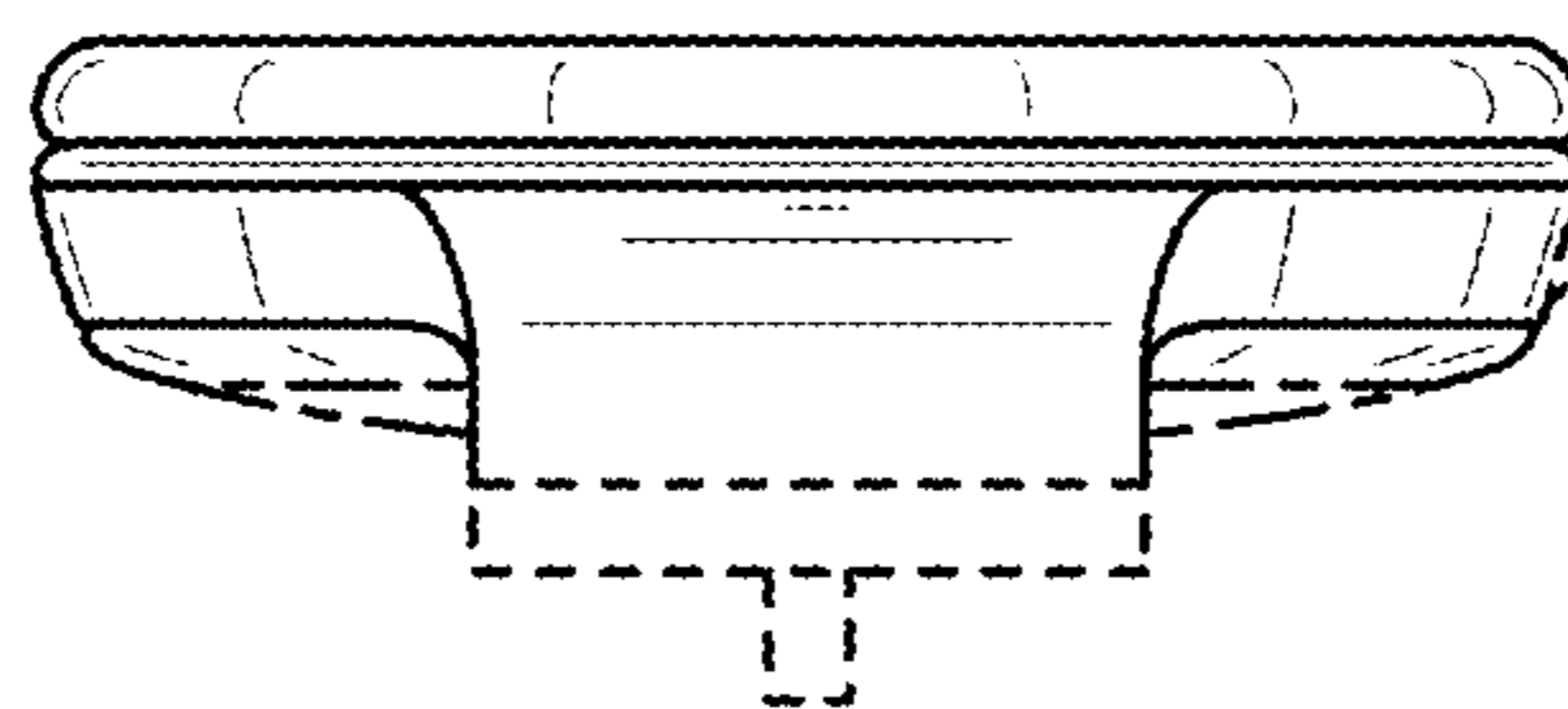


FIG. 7