



US00D809510S

(12) **United States Design Patent** (10) **Patent No.:** **US D809,510 S**
Rochat et al. (45) **Date of Patent:** **** Feb. 6, 2018**

(54) **COMMUNICATION DEVICE**

(71) Applicant: **Samsung Electronics Co., Ltd.**,
Suwon-si (KR)

(72) Inventors: **Alex Rochat**, Seoul (KR); **Eun-Ha Choi**, Seoul (KR); **Ki-Hyun Yoon**,
Busan-si (KR)

(73) Assignee: **Samsung Electronics Co., Ltd.**,
Suwon-si (KR)

(**) Term: **15 Years**

(21) Appl. No.: **29/529,719**

(22) Filed: **Jun. 10, 2015**

(30) **Foreign Application Priority Data**

Feb. 11, 2015 (KR) 30-2015-0007443

(51) **LOC (11) Cl.** **14-02**

(52) **U.S. Cl.**
USPC **D14/344**

(58) **Field of Classification Search**

USPC D14/344, 138 R, 144, 358; D24/167,
D24/169, 186-187; D11/3, 93-94;
D10/30-39, 70, 98; 379/433.1;
361/679.03

CPC G06F 1/163; G06F 1/1628; G06F 1/1626;
G06F 1/1635; G06F 1/08; G06F 1/10;
G06F 1/04; G06F 1/14; G06F 1/3203;
A41D 1/002; H04M 1/02; H04M 1/03;
H04M 1/04; H04M 1/05; H04M 1/667;
H04M 1/6058; Y02B 60/12; H04B 1/385;
H04B 1/3888; H04B 1/3833; G06Q
20/10; G06Q 20/108; G06Q 20/12; G06Q
20/145

See application file for complete search history.

(56) **References Cited**

U.S. PATENT DOCUMENTS

D278,315 S * 4/1985 Houlihan D10/30
D361,723 S * 8/1995 Nanayakkara D10/30
D650,706 S * 12/2011 Zanella D10/32
D680,651 S * 4/2013 Lumme D24/167

(Continued)

FOREIGN PATENT DOCUMENTS

KR 30-2005-0033218 3/2006
KR 30-2014-0017736 8/2014
WO DM/0068562 2/2007

OTHER PUBLICATIONS

Samsung Galaxy Gear smartwatch to launch next month, posted
Aug. 19, 2013, [retrieved Jun. 23, 2017]. Retrieved from Internet,
<URL: <https://computerworld.com.my/print-article/41704/> >.*

(Continued)

Primary Examiner — Barbara Fox

Assistant Examiner — Kristin E Reed

(74) *Attorney, Agent, or Firm* — NSIP Law

(57) **CLAIM**

We claim the ornamental design for a communication
device, as shown and described.

DESCRIPTION

FIG. 1 is a front perspective view of a communication
device showing our new design;

FIG. 2 is a front view thereof;

FIG. 3 is a rear view thereof;

FIG. 4 is a left-side view thereof;

FIG. 5 is a right-side view thereof;

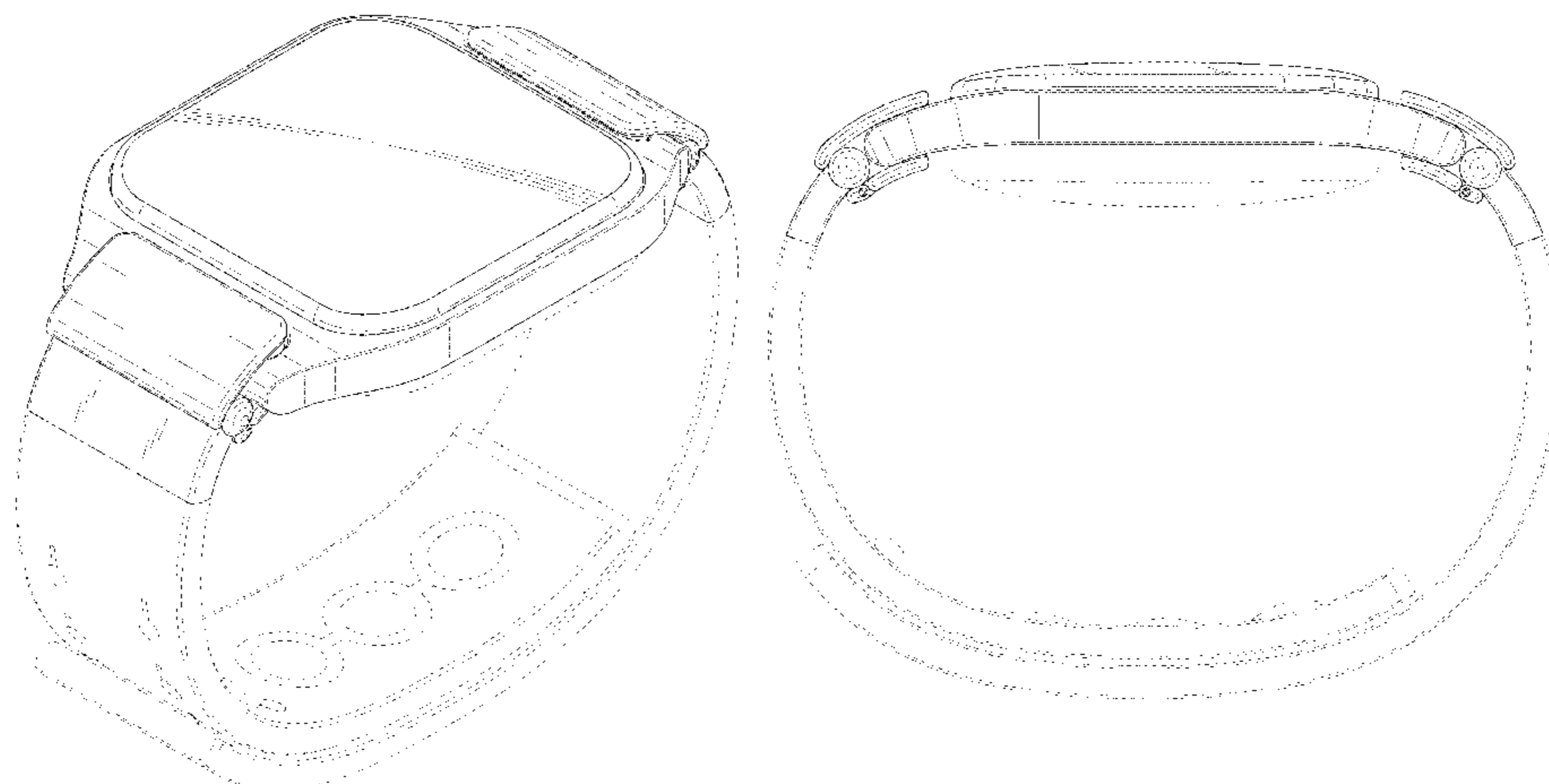
FIG. 6 is a top view thereof; and,

FIG. 7 is a bottom view thereof.

The broken lines in the figures depict portions of the
communication device which form no part of the claimed
design.

The dot-dash broken lines in the figures depict the boundary
of the claimed design and form no part of the claimed
design.

1 Claim, 7 Drawing Sheets



(56)

References Cited

U.S. PATENT DOCUMENTS

D719,123 S * 12/2014 Park D10/38
D734,331 S * 7/2015 Wu D14/344
D742,372 S * 11/2015 Christopher D14/344
D748,500 S * 2/2016 Schwamkrug D10/30
9,317,076 B2 * 4/2016 Rayner F16M 13/00
9,323,340 B2 * 4/2016 Pantel G06F 3/017
D759,622 S * 6/2016 Dahlberg D10/32
D777,590 S * 1/2017 Nielsen D10/39
2014/0121539 A1 * 5/2014 Chatterjee G06F 1/1626
600/479

OTHER PUBLICATIONS

Microsoft Smartwatch Concept Brings Windows 8 on Your Wrist, posted Sep. 22, 2014, [retrieved Jun. 23, 2017]. Retrieved from Internet, <URL: <http://news.softpedia.com/news/Microsoft-Smartwatch-Concept-Brings-Windows-8-on-Your-Wrist-459483.shtml>>.*

“Open Wearable Sensor Platform: Angel Wristband” www.postscapes.com <<http://postscapes.com/open-wearable-sensor-platform-angel>>.

VTECH@DMIN “The Angel Sensor Can Be Your Guardian Angel for Good Health!” 2014 www.wearabletechdigest.com Oct. 17, 2014 <<http://www.wearabletechdigest.com/2014/10/the-angel-sensor.html>>.

* cited by examiner

FIG. 1

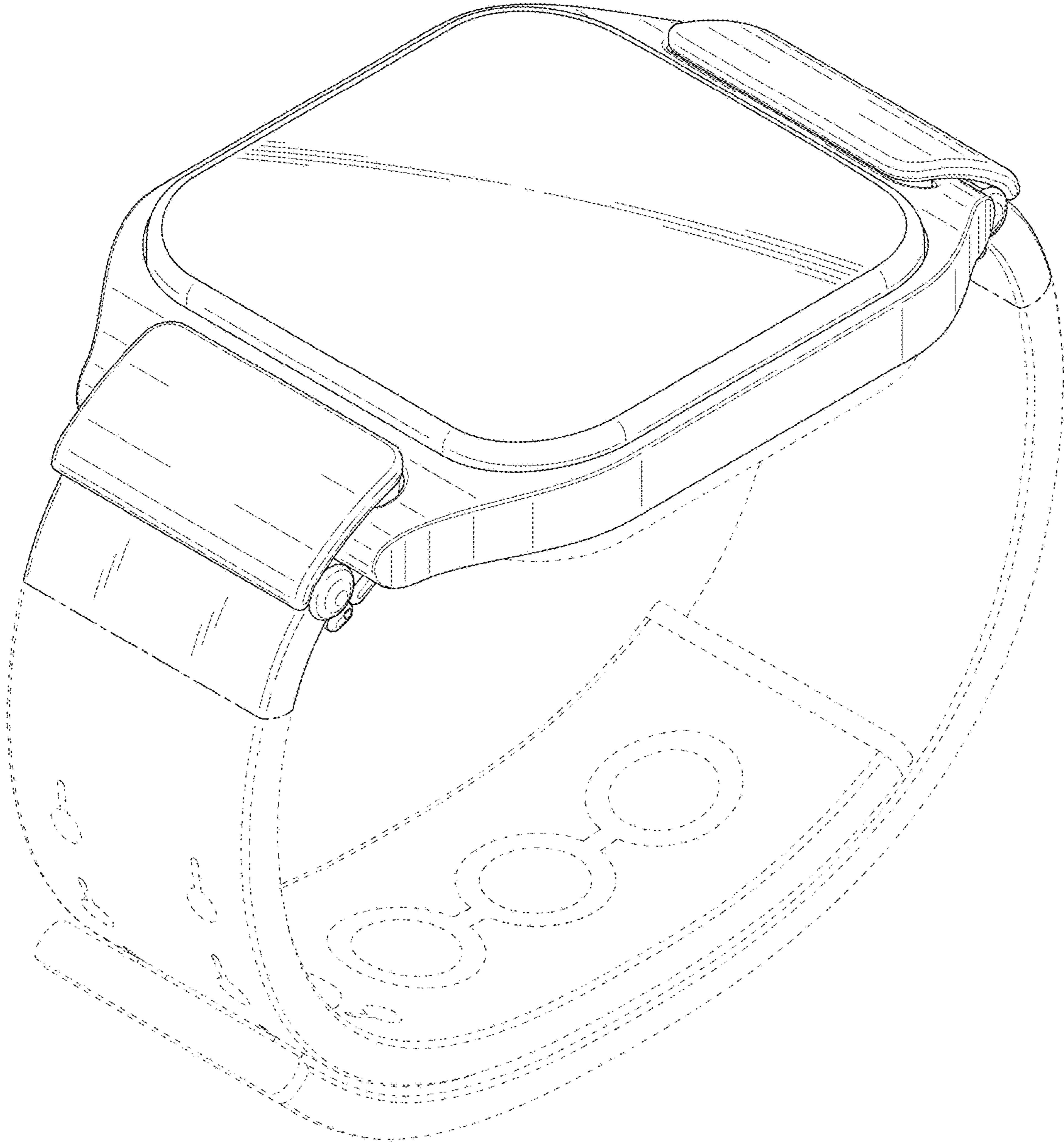


FIG. 2

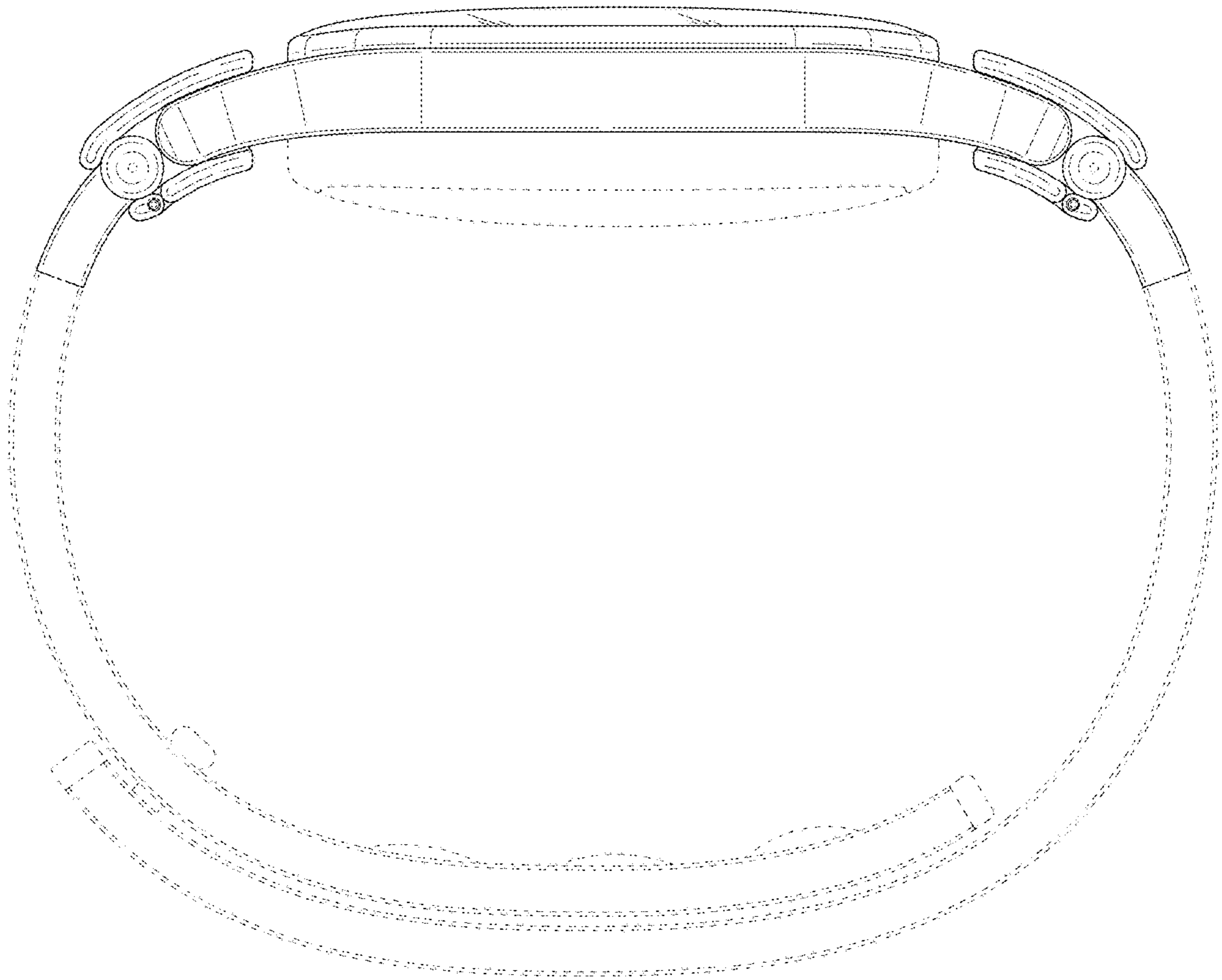


FIG. 3

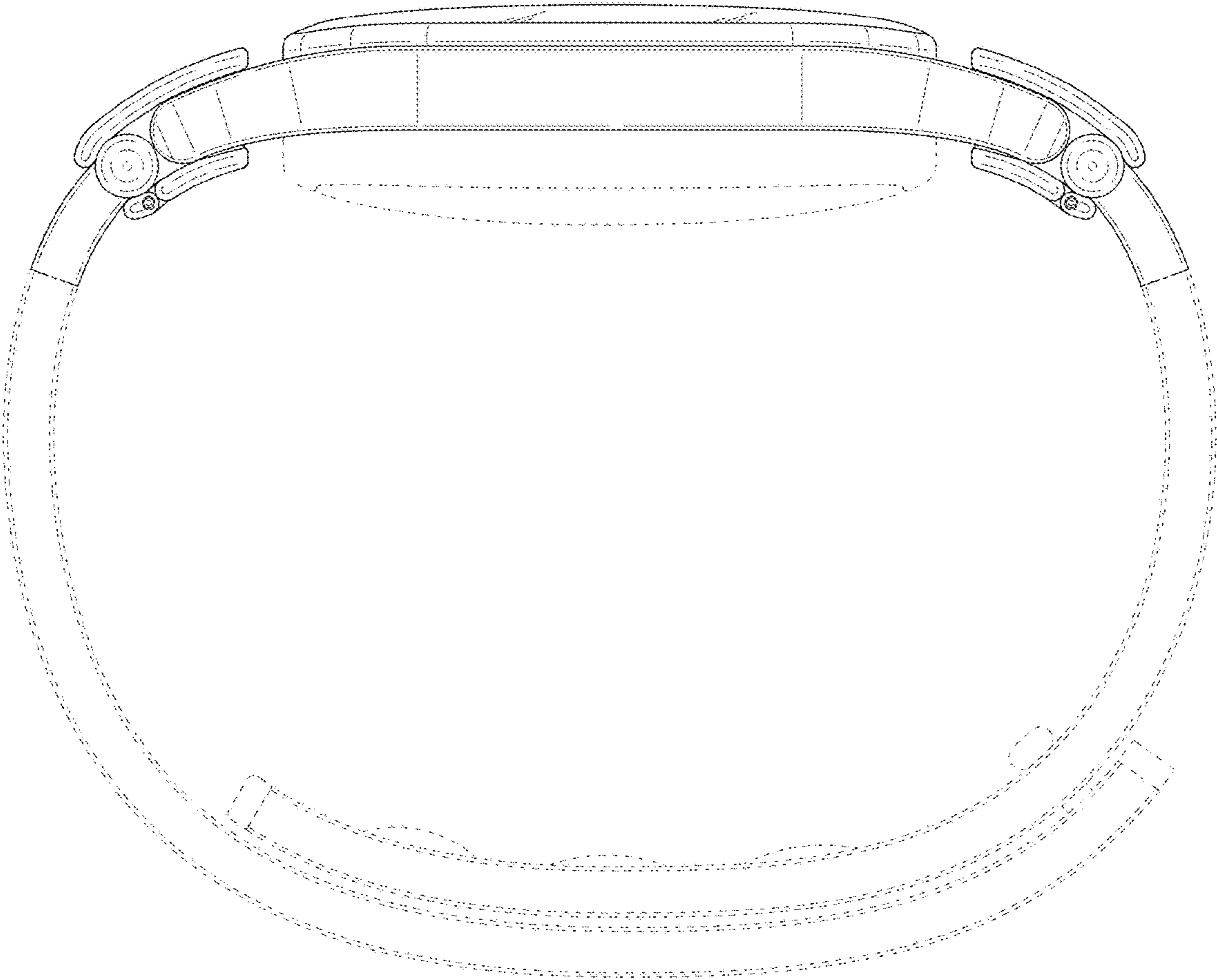


FIG. 4

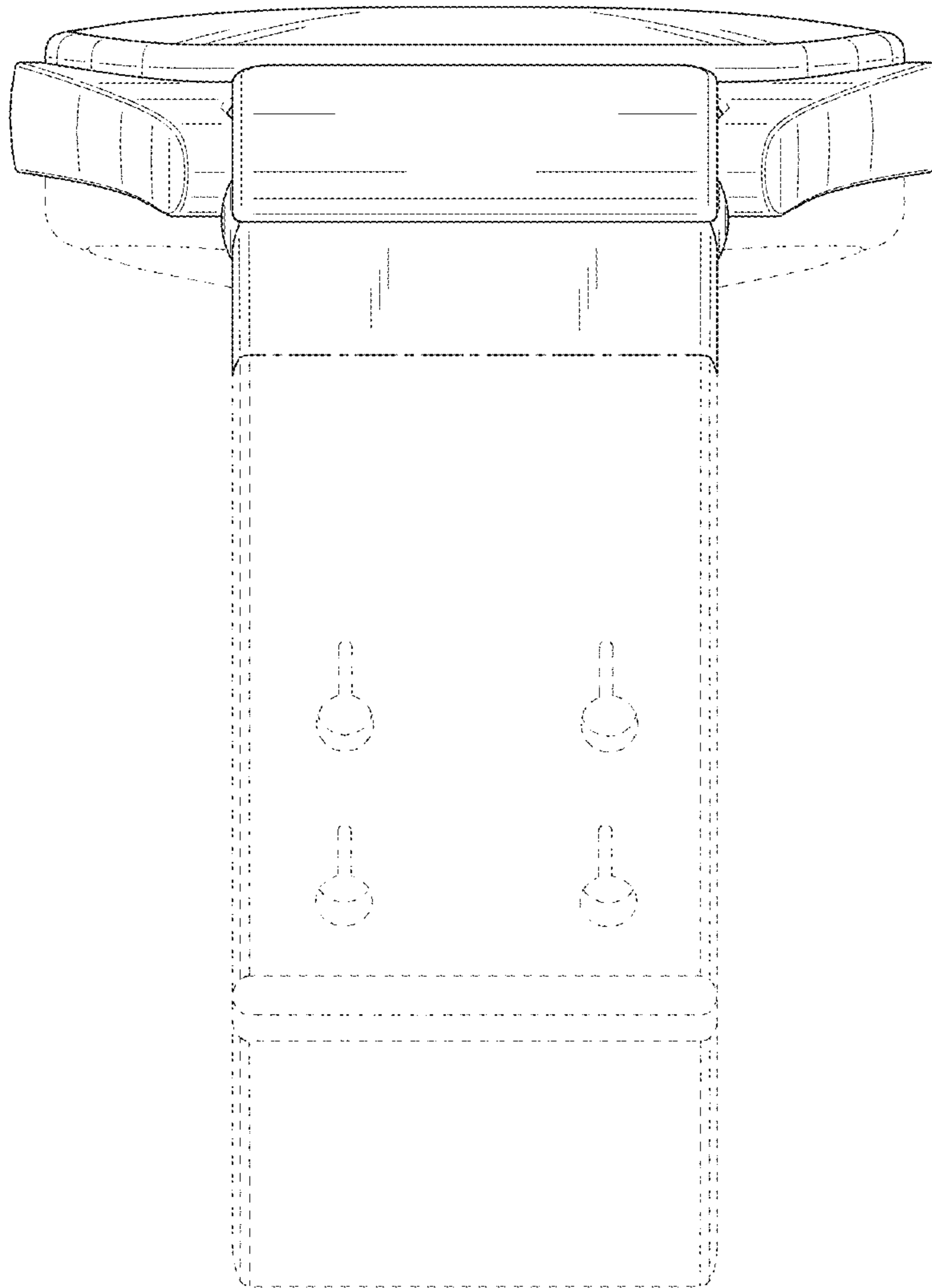


FIG. 5

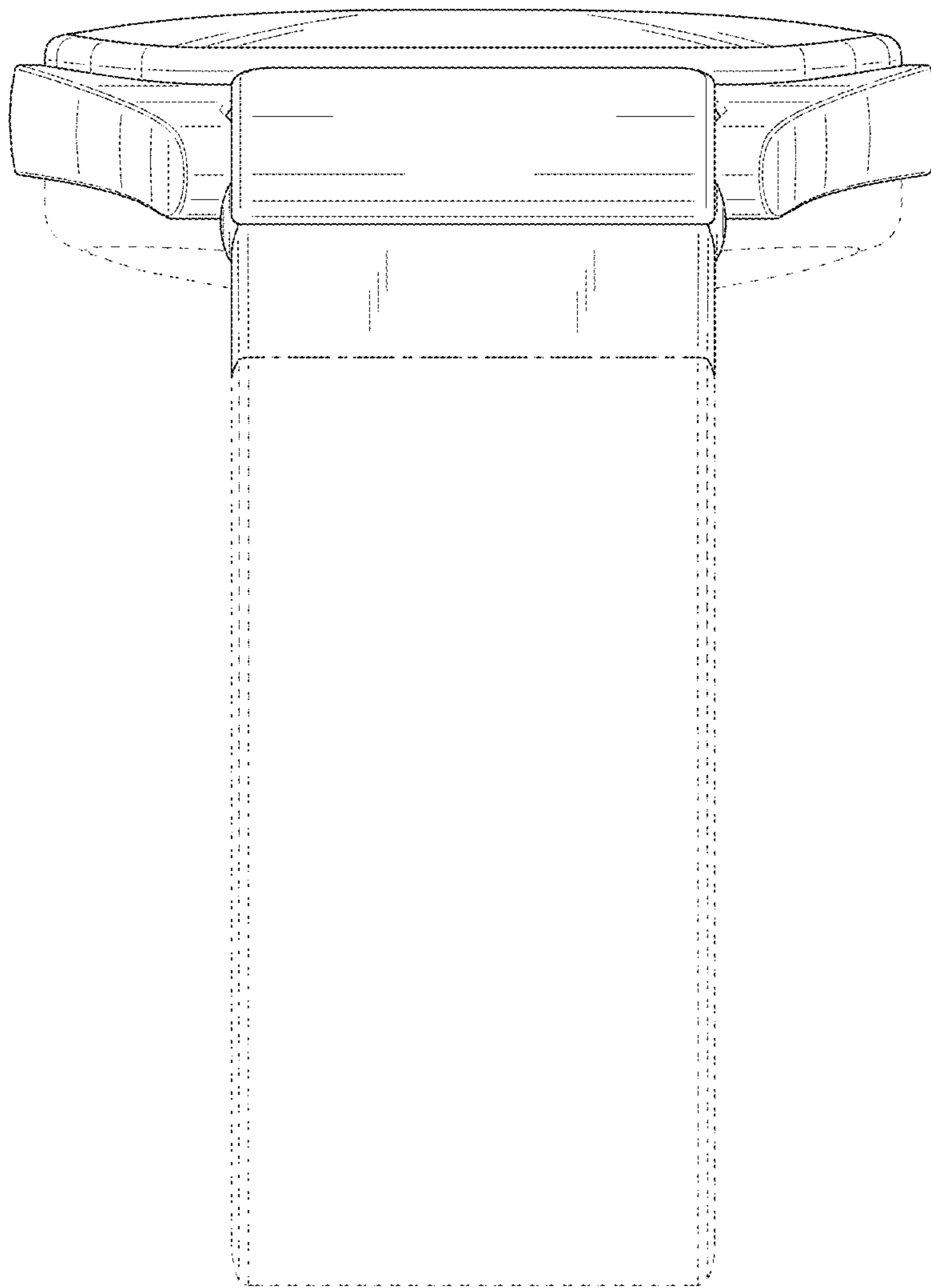


FIG. 6

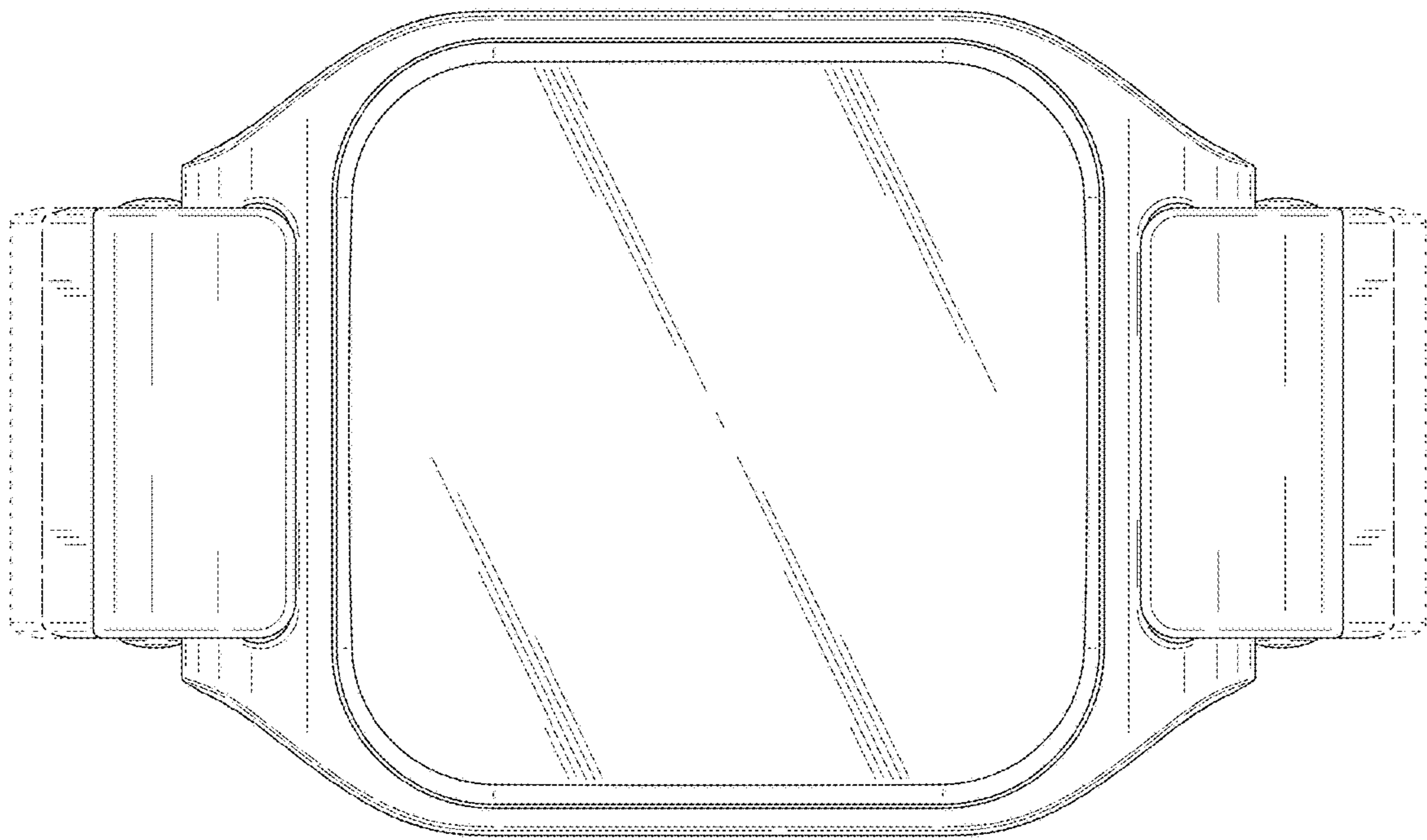


FIG. 7

