



US00D809501S

(12) **United States Design Patent** (10) **Patent No.:** **US D809,501 S**
Andre et al. (45) **Date of Patent:** **** *Feb. 6, 2018**

(54) **ELECTRONIC DEVICE**

(71) Applicant: **Apple Inc.**, Cupertino, CA (US)

(72) Inventors: **Bartley K. Andre**, Palo Alto, CA (US);
Daniel J. Coster, San Francisco, CA (US);
Daniele De Iuliis, San Francisco, CA (US);
Richard P. Howarth, San Francisco, CA (US);
Jonathan P. Ive, San Francisco, CA (US);
Steven P. Jobs, Palo Alto, CA (US);
Duncan Robert Kerr, San Francisco, CA (US);
Shin Nishibori, Kailua, HI (US);
Matthew Dean Rohrbach, San Francisco, CA (US);
Douglas B. Satzger, Menlo Park, CA (US);
Calvin Q. Seid, Palo Alto, CA (US);
Christopher J. Stringer, Woodside, CA (US);
Eugene Antony Whang, San Francisco, CA (US);
Rico Zörkendörfer, San Francisco, CA (US)

(73) Assignee: **Apple Inc.**, Cupertino, CA (US)

(*) Notice: This patent is subject to a terminal disclaimer.

(**) Term: **14 Years**

(21) Appl. No.: **29/490,408**

(22) Filed: **May 9, 2014**

Related U.S. Application Data

(60) Continuation of application No. 29/432,304, filed on Sep. 14, 2012, now Pat. No. Des. 704,701, which is a continuation of application No. 29/403,263, filed on Oct. 4, 2011, now Pat. No. Des. 672,769, which is a continuation of application No. 29/386,066, filed on Feb. 24, 2011, now abandoned, which is a continuation of application No. 29/364,190, filed on Jun. 21, 2010, now Pat. No. Des. 634,319, which is a continuation of application No. 29/332,683, filed on Feb. 23, 2009, now Pat. No. Des. 618,678, which is

a division of application No. 29/282,831, filed on Jul. 30, 2007, now abandoned, which is a continuation of application No. 29/270,887, filed on Jan. 5, 2007, now Pat. No. Des. 580,387.

(51) **LOC (11) Cl.** **14-02**

(52) **U.S. Cl.**
USPC **D14/341**

(58) **Field of Classification Search**

USPC D14/315-318, 341-347, 420, 426, 129,
D14/130, 496, 137, 138 R, 138 AA,
D14/138 C, 138 G, 147, 203.1, 203.3,
D14/204.4, 203.7, 218, 248, 388, 389;
D10/50, 65, 104.1; D21/329, 330;
D6/308, 310

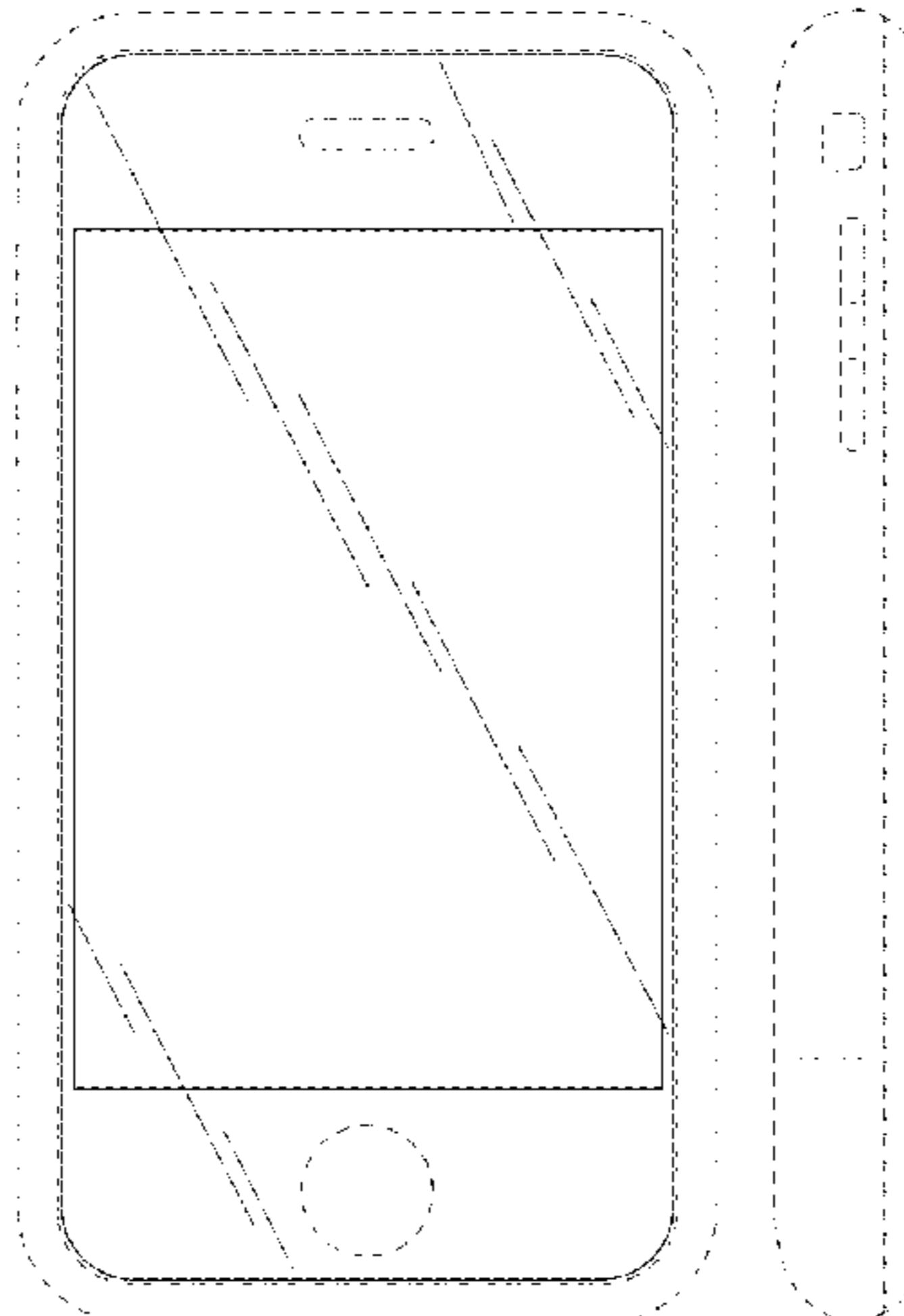
CPC G06F 3/0485; G06F 3/0488; G06F 1/1613;
G06F 1/1624; G06F 1/1626; G06F 1/165;
H04M 1/0202; H04M 1/0264; H04M
1/0214; H04M 1/0279; H04M 1/0281;
H04M 1/0283; H04M 1/72544

See application file for complete search history.

(56) **References Cited**

U.S. PATENT DOCUMENTS

2,424,630 A	7/1947	Perez
D262,151 S	12/1981	Sussman
D265,326 S	7/1982	Sugiyama
D270,061 S	8/1983	Ackeret
D270,062 S	8/1983	Ackeret
D270,063 S	8/1983	Ackeret
D270,066 S	8/1983	Ackeret
D278,276 S	4/1985	Bakic
D284,084 S	6/1986	Ferrara, Jr.
D289,873 S	5/1987	Gemmell et al.
D306,583 S	3/1990	Krolopp et al.
D308,055 S	5/1990	Tedham et al.
D317,609 S	6/1991	Wei
D321,215 S	10/1991	Shamis
D332,328 S	1/1993	Lombardi, Jr.
D333,574 S	3/1993	Ackeret
D337,322 S	7/1993	Yang
D337,569 S	7/1993	Kando
D340,701 S	10/1993	Takeuchi
D340,917 S	11/1993	Sakaguchi et al.
D345,346 S	3/1994	Alfonso et al.
D346,589 S	5/1994	Andros
D346,793 S	5/1994	Iino et al.



US D809,501 S

5,345,543 A	9/1994	Capps et al.	D524,809 S	7/2006	Alcouloumre et al.
5,398,310 A	3/1995	Tchao et al.	D525,226 S	7/2006	Jang
D361,552 S	8/1995	Iino	D525,620 S	7/2006	Esslinger et al.
5,463,725 A	10/1995	Henckel et al.	D525,987 S	8/2006	Kim
5,495,566 A	2/1996	Kwatinetz	D526,301 S	8/2006	Shin
D395,639 S	6/1998	Ham et al.	D526,302 S	8/2006	Kim
D396,215 S	7/1998	Inukai	D527,015 S	8/2006	Yang
D396,452 S	7/1998	Naruki	D527,366 S	8/2006	Lee
D408,372 S	4/1999	Ota et al.	D528,542 S	9/2006	Luminosu et al.
D408,794 S	4/1999	Ogasawara	D528,561 S	9/2006	Ka-Wei et al.
D409,185 S	5/1999	Kawashima	D529,045 S	9/2006	Shin
D410,440 S	6/1999	Carnell	D530,699 S	10/2006	Lee et al.
D420,354 S	2/2000	Morales	D531,610 S	11/2006	Kim et al.
D424,535 S	5/2000	Peltola	D532,766 S	11/2006	Lee
D425,887 S	5/2000	Edwards et al.	D532,791 S	11/2006	Kim
6,061,063 A	5/2000	Wagner et al.	D533,531 S	12/2006	Hyun et al.
6,067,068 A	5/2000	Hussain	D534,143 S	12/2006	Lheem
D444,465 S	7/2001	Do	D534,145 S	12/2006	Lheem
D448,764 S	10/2001	Marsalka et al.	D534,516 S	1/2007	Lheem
6,310,610 B1	10/2001	Beaton et al.	D534,517 S	1/2007	Cho et al.
D451,505 S	12/2001	Iseki et al.	D535,281 S	1/2007	Yang
D452,226 S	12/2001	Simpson et al.	D536,329 S	2/2007	Lee
D452,687 S	1/2002	Yeh	D536,691 S	2/2007	Park
6,337,698 B1	1/2002	Keely, Jr. et al.	D536,962 S	2/2007	Tanner
D453,333 S	2/2002	Chen	D537,808 S *	3/2007	Lee D14/203.7
D454,348 S	3/2002	Yeh	D538,822 S	3/2007	Andre et al.
D455,433 S	4/2002	Alviar et al.	D541,298 S	4/2007	Andre et al.
D456,023 S	4/2002	Andre et al.	D541,299 S	4/2007	Andre et al.
D456,805 S	5/2002	Ono et al.	D541,785 S	5/2007	Hwang et al.
D458,252 S	6/2002	Palm et al.	D543,183 S	5/2007	Cho et al.
D461,175 S	8/2002	Yokota	D546,313 S	7/2007	Lheem
D461,715 S	8/2002	Hamada et al.	D548,713 S	8/2007	Lee et al.
D461,802 S	8/2002	Tu	D548,732 S	8/2007	Cebe et al.
D466,501 S	12/2002	Hirota	D548,747 S	8/2007	Andre et al.
D467,890 S	12/2002	Lai et al.	D553,852 S *	10/2007	Brandenburg D3/218
6,501,967 B1	12/2002	Mäkelä et al.	D554,098 S	10/2007	Lee
D469,413 S	1/2003	To et al.	D554,149 S *	10/2007	Kim D14/496
6,509,907 B1	1/2003	Kuwabara	D556,211 S	11/2007	Howard
D483,032 S	12/2003	Bertrand et al.	D557,238 S	12/2007	Kim
D483,359 S	12/2003	Lin et al.	D557,239 S	12/2007	Lee
D485,265 S	1/2004	Sato et al.	D557,259 S	12/2007	Hirsch
D486,149 S	2/2004	Kawami et al.	7,303,424 B2	12/2007	Tu et al.
6,690,387 B2	2/2004	Zimmerman et al.	D558,460 S	1/2008	Yu et al.
D488,468 S	4/2004	Hu	D558,716 S	1/2008	Bae et al.
D488,469 S	4/2004	Batsikas	D558,726 S	1/2008	Wang et al.
D489,062 S	4/2004	Hong	D558,756 S	1/2008	Andre et al.
D489,731 S	5/2004	Huang	D558,757 S	1/2008	Andre et al.
D490,810 S	6/2004	Huang	D558,758 S	1/2008	Andre et al.
D491,156 S	6/2004	Kawakami et al.	D558,792 S	1/2008	Chigira
D492,684 S	7/2004	Ozolins et al.	D559,220 S	1/2008	Lee et al.
D494,188 S	8/2004	Huang	D560,192 S	1/2008	Lee et al.
D495,695 S	9/2004	Yugaya	D560,227 S	1/2008	Bennett et al.
D496,645 S	9/2004	Yoo et al.	D560,683 S	1/2008	Lee
6,788,527 B2	9/2004	Doczy et al.	D560,686 S	1/2008	Kim
D497,364 S	10/2004	Ozolins et al.	D561,153 S	2/2008	Hong et al.
D498,754 S	11/2004	Blyth	D561,204 S	2/2008	Toh
D499,423 S	12/2004	Bahroocha et al.	D561,782 S	2/2008	Kim
D500,037 S	12/2004	Ozolins et al.	D562,285 S	2/2008	Lim
D502,173 S *	2/2005	Jung D13/158	D563,432 S	3/2008	Kim
D502,945 S	3/2005	Huang et al.	D563,929 S	3/2008	Park
D503,699 S	4/2005	Lee et al.	D565,532 S	4/2008	Arnold
D504,889 S	5/2005	Andre et al.	D565,596 S	4/2008	Kim
D505,950 S	6/2005	Summit et al.	D565,599 S	4/2008	Jang
D507,003 S	7/2005	Pai et al.	D569,830 S	5/2008	Kwak
D509,202 S	9/2005	Lee et al.	D570,346 S	6/2008	Suk et al.
D509,760 S	9/2005	Burrell et al.	D570,839 S	6/2008	Hofer et al.
D509,833 S	9/2005	Yang	D572,227 S *	7/2008	Yoon D14/138 G
D510,929 S	10/2005	Laverick et al.	D572,694 S *	7/2008	Park D14/138 AD
D511,342 S	11/2005	Chien	D575,259 S	8/2008	Kim et al.
D511,347 S	11/2005	Naruki	7,409,059 B2 *	8/2008	Fujisawa H04M 1/0243 379/433.11
D514,121 S	1/2006	Johnson	D577,014 S *	9/2008	Griffin D14/341
D514,558 S	2/2006	Nagel et al.	D577,703 S	9/2008	Lee et al.
D514,590 S	2/2006	Naruki	D580,387 S *	11/2008	Andre D14/138 G
D519,116 S	4/2006	Tanaka et al.	D581,922 S	12/2008	Andre et al.
D519,523 S	4/2006	Chiu et al.	D583,346 S	12/2008	Jung et al.
D519,998 S	5/2006	Park	D585,411 S	1/2009	Eaton
D520,020 S	5/2006	Senda et al.	D586,800 S	2/2009	Andre et al.
D521,023 S	5/2006	Kim et al.	D587,262 S *	2/2009	Sogabe D14/341
7,042,712 B2	5/2006	Ghosh et al.			

US D809,501 S

D593,087 S	5/2009	Andre et al.		D719,158 S *	12/2014	Akana D14/374
D598,426 S *	8/2009	Kim D14/203.7		D724,078 S	3/2015	Andre et al.
D599,342 S	9/2009	Andre et al.		D731,481 S	6/2015	Akana et al.
D600,241 S	9/2009	Andre et al.		D748,081 S *	1/2016	Chung D14/138 G
D601,558 S	10/2009	Andre et al.		D771,619 S *	11/2016	Akana D14/341
D601,583 S	10/2009	Andre et al.		2003/0125079 A1	7/2003	Park et al.
D602,014 S	10/2009	Andre et al.		2003/0125094 A1	7/2003	Hyun et al.
D602,486 S	10/2009	Andre et al.		2003/0125959 A1	7/2003	Palmquist
7,658,675 B2	2/2010	Hotta		2003/0184525 A1	10/2003	Tsai
7,660,560 B2	2/2010	Zuo et al.		2003/0206202 A1	11/2003	Moriya
7,688,574 B2	3/2010	Zadesky et al.		2004/0021676 A1	2/2004	Chen et al.
D613,735 S	4/2010	Andre et al.		2004/0041504 A1	3/2004	Ozolins et al.
D613,736 S	4/2010	Andre et al.		2004/0132499 A1	7/2004	Abe
D615,088 S	5/2010	Matsuoka		2004/0155888 A1	8/2004	Padgitt et al.
D617,792 S	6/2010	Andre et al.		2004/0166907 A1	8/2004	Yajima
D618,204 S	6/2010	Andre et al.		2004/0223004 A1	11/2004	Lincke et al.
D618,677 S *	6/2010	Andre D14/203.7		2004/0242288 A1	12/2004	Balle et al.
D618,678 S	6/2010	Andre et al.		2004/0257334 A1	12/2004	Yajima
D622,270 S	8/2010	Andre et al.		2005/0009556 A1	1/2005	Hickey et al.
D622,718 S	8/2010	Andre et al.		2005/0012723 A1	1/2005	Pallakoff
D622,719 S	8/2010	Andre et al.		2005/0014538 A1	1/2005	Hyun et al.
D623,133 S	9/2010	Nomi et al.		2005/0041385 A1	2/2005	Kikinis et al.
D624,072 S	9/2010	Andre et al.		2005/0059438 A1	3/2005	Jellicoe
D624,536 S	9/2010	Andre et al.		2005/0088418 A1	4/2005	Nguyen
D626,111 S *	10/2010	Jun D14/203.7		2005/0127158 A1	6/2005	Figueras et al.
D627,343 S	11/2010	Andre et al.		2005/0130715 A1	6/2005	Fujisawa
D629,799 S	12/2010	Andre et al.		2005/0195154 A1	9/2005	Robbins et al.
D633,090 S	2/2011	Andre et al.		2005/0255897 A1	11/2005	Lee et al.
D633,091 S	2/2011	Andre et al.		2006/0025184 A1	2/2006	Cho et al.
D633,092 S	2/2011	Andre et al.		2006/0025218 A1	2/2006	Hotta
D633,493 S	3/2011	Akana et al.		2006/0094464 A1	5/2006	Kyou et al.
D633,908 S	3/2011	Akana et al.		2006/0111158 A1	5/2006	Hou
D634,319 S	3/2011	Andre et al.		2006/0111161 A1	5/2006	Cha et al.
7,911,387 B2 *	3/2011	Hill H01Q 1/243 343/700 MS		2006/0121852 A1	6/2006	Kim et al.
D640,218 S *	6/2011	Ahn D14/138 AD		2006/0142073 A1	6/2006	Gordecki
D640,219 S *	6/2011	Sutherland D14/138 G		2006/0166713 A1	7/2006	Yeh et al.
D640,663 S *	6/2011	Arnholt D14/138 G		2006/0281501 A1	12/2006	Zuo et al.
D642,151 S *	7/2011	Chun D14/138 G		2007/0082718 A1	4/2007	Yoon et al.
D642,563 S *	8/2011	Akana D14/341		2008/0004083 A1 *	1/2008	Ohki H04M 1/0212 455/566
D644,208 S	8/2011	Akana et al.		2008/0004085 A1	1/2008	Jung et al.
D644,218 S *	8/2011	Akana D14/250		2008/0259094 A1 *	10/2008	Kim G06F 1/1626 345/651
D645,441 S *	9/2011	Choe D14/138 G		2011/0177300 A1 *	7/2011	Hankey G02B 5/26 428/189
D645,833 S *	9/2011	Seflic D14/138 G		2012/0256856 A1 *	10/2012	Suzuki G06F 1/169 345/173
D647,108 S *	10/2011	Lee D14/203.3		2013/0044066 A1 *	2/2013	Monteux G06F 3/0483 345/173
D647,499 S *	10/2011	Page D14/138 AD				
D648,303 S *	11/2011	Park D14/138 G				
D649,132 S *	11/2011	Park D14/138 G				
D649,150 S *	11/2011	Takahashi D14/341				
D650,352 S *	12/2011	Cho D14/138 G				
D651,601 S *	1/2012	Ichise D14/341				
D652,003 S *	1/2012	Park D14/138 G				
D652,813 S *	1/2012	Song D14/138 G				
D653,640 S *	2/2012	Kwon D14/138 G				
D653,642 S *	2/2012	Han D14/138 AD				
D662,922 S *	7/2012	Akana D14/250				
D669,071 S	10/2012	Akana et al.				
D671,937 S	12/2012	Akana et al.				
D672,769 S	12/2012	Andre et al.				
D673,947 S	1/2013	Andre et al.				
D673,948 S	1/2013	Andre et al.				
D674,383 S	1/2013	Andre et al.				
D675,198 S *	1/2013	Andre D14/250				
D675,202 S	1/2013	Andre et al.				
D675,612 S	2/2013	Andre et al.				
D689,475 S *	9/2013	Andre D14/250				
D690,298 S	9/2013	Andre et al.				
D691,133 S	10/2013	Akana et al.				
D692,878 S *	11/2013	Akana D14/341				
D692,879 S	11/2013	Andre et al.				
D692,881 S	11/2013	Akana et al.				
D693,341 S	11/2013	Akana et al.				
D696,251 S	12/2013	Andre et al.				
D696,663 S	12/2013	Andre et al.				
D698,352 S	1/2014	Andre et al.				
D704,701 S	5/2014	Andre et al.				
D710,843 S	8/2014	Akana et al.				
D716,781 S *	11/2014	Andre D14/250				
D717,285 S *	11/2014	Fahlgren D14/248				

FOREIGN PATENT DOCUMENTS

CN	300721990	12/2007
CN	300732852	1/2008
CN	300732857	1/2008
EM	000048061-0001	8/2003
EM	000046198-0001	11/2003
EM	000257621-0004	2/2005
EM	000317490-0001	5/2005
EM	000375191-0001	9/2005
EM	000493721-0002	5/2006
EM	000569157-0005	5/2006
EM	000569157-0005	9/2006
EM	000590831	10/2006
EM	000614565-0001	12/2006
EM	000632070	1/2007
EM	000718770	6/2007
FI	4897	7/1980
FR	990052-001	5/1999
GB	2062780	5/1981
GB	2030050	7/1993
GB	3010002	2/2003
GB	3012502	6/2003
GB	3014024	10/2003
GB	3022447	10/2005
JP	61-69284	4/1986
JP	64-9317	1/1989
JP	887388	12/1993

JP	1009317	5/1998
JP	D1009317	5/1998
JP	2000-163031	6/2000
JP	D1104685	3/2001
JP	D1124750	10/2001
JP	D1142127	5/2002
JP	D1159881	12/2002
JP	D1188041	10/2003
JP	D1204221	3/2004
JP	D1204221	5/2004
JP	2004-290256	10/2004
JP	D1235888	4/2005
JP	D1241638	4/2005
JP	D1241383	6/2005
JP	D1241638	6/2005
JP	D1247215	8/2005
JP	D125087	9/2005
JP	2004 290256	10/2005
JP	D1263649	2/2006
JP	D1280315	9/2006
JP	D1285057	10/2006
JP	D1295003	2/2007
JP	D1302929	6/2007
KR	30-0304213	8/2002
KR	30-0327126	6/2003
KR	30-0359572	8/2004
KR	30-0360712	9/2004
KR	30-0364027	10/2004
KR	30-0364845	10/2004
KR	30-0367347	11/2004
KR	30-0367787	11/2004
KR	30-0370833	1/2005
KR	30-0376524	3/2005
KR	30-0387059-3	7/2005
KR	30-0387130	7/2005
KR	30-0387648	7/2005
KR	30-0396917	11/2005
KR	30-0398307	11/2005
KR	30-0394921	12/2005
KR	30-0418422-1	7/2006
KR	30-0418547	7/2006
KR	30-0420200	7/2006
KR	30-0422221	8/2006
KR	30-0424148	9/2006
KR	30-0441230	2/2007
KR	30-0452432	6/2007
KR	30-0721986	12/2007
SE	55044	10/1993
TW	D106137	8/2005
WO	WO 00/74240	7/2000
WO	WO 01/88679 A2	11/2001
WO	WO 2004/023272	3/2004
WO	WO 2006/038499	4/2006
WO	WO/2006038499	4/2006

OTHER PUBLICATIONS

“A Day in the Life of InfoLink,” Stanford University Libraries, published May 1, 2003.

“The Oracle: The Personal Computer of the Year 2000,” Stanford University Libraries.

“The Organizer: The Personal Computer of the Year 2000,” Stanford University Libraries.

“Toshiba Dvnapad T100X Pen Computer,” product available in 1993, 2 pages.

ABDI, “Five 1 GB Flash MP3 Players,” Tomsguide.com, (<http://www.tomsguide.com/us/five-1gb-flash-mp3-players,review-722-3.html>), published May 30, 2006, 4 pages.

Aliexpress.com, “WACOM PL-500 15" LCD Tablet Mint,” (<http://www.aliexpress.com/product-fm/430172068-WACOM-PL-500-15-LCD-Tablet-Mint-Worldwide-Free-Shipping-wholesalers.html>), accessed Nov. 14, 2011, 3 pages.

Amazon.com, “Digitalway MPIO FL100 128 MB MP3 Player” (<http://www.amazon.com/Digitalway-MPIO-FL100-128-Player/dp/B3000SV6NI>), accessed Nov. 17, 2011, 7 pages.

Amazon.com, “Whirlpool Gold : GH7208XRS 2.0 cu. ft. Velos Speedcook Over the Range Microwave Oven,” ([\[zon.com/Whirlpool-Gold-GH7208XRS-Speedcook-Microwave/dp/B000ZIPHM8\]\(http://www.amazon.com/Whirlpool-Gold-GH7208XRS-Speedcook-Microwave/dp/B000ZIPHM8\)\); accessed May 23, 2012 5 pages.

Apple Inc., “Apple Introduces the U2 iPod,” \(<http://www.apple.com/pr/library/2004/10/26Apple-Introduces-the-U2-iPod.html>\), published Oct. 26, 2004, 2 pages.

Blandford, “Nokia N92 Preview,” \(\[http://www.allaboutsymbian.com/features/item/Nokia_N92_Preview.php\]\(http://www.allaboutsymbian.com/features/item/Nokia_N92_Preview.php\)\), published Nov. 23, 2005, 10 pages.

Blickenstorfer, “Tablet PCs: HP Compaq Tablet PC TC1000,” Pen Computing Magazine, \(\[http://pencomputing.com/frames/ipc_compaq.html\]\(http://pencomputing.com/frames/ipc_compaq.html\)\), published Dec. 2002, 3 pages.

Block, “Olympus @ CES Hands-on with the m:robe MR-500i and MR-100,” Engadget.com, \(<http://www.engadget.com/2005/01/10/olympus-ces-hands-on-with-the-m-robe-mr-500i-and-mr-100>\), published Jan. 10, 2005, 3 pages.

Cell Phones.About.com, “More pictures of the LG KG800,” \(\[http://cellphones.about.com/library/bl-pi-lg_kg800.html\]\(http://cellphones.about.com/library/bl-pi-lg_kg800.html\)\), accessed Feb. 13, 2012, 1 page.

Chip Online, “VIA: Zwitter-PC für Schöngeister,” \(\[http://www.chip.de/news/VIA-Zwitter-PC-fuer-Schoengeister_34204096.html\]\(http://www.chip.de/news/VIA-Zwitter-PC-fuer-Schoengeister_34204096.html\)\), Published May 8, 2002, 2 pages.

Clarke, “Newspad by Authur C. Clarke from 2001: A Space Odyssey,” \(<http://www.technovelgy.com/ct/content.asp?Bnum=529>\), published 1968, 3 pages.

Computex.biz, “Tatung Tablet PC,” \(\[http://www.computex.biz/tatung/Default.aspx?pagetype=ProductDetail&pdt_id=36&cid=3...\]\(http://www.computex.biz/tatung/Default.aspx?pagetype=ProductDetail&pdt_id=36&cid=3...\) \), accessed Nov. 4, 2011, 3 pages.

dcinside.com, “iHolic HTV-200” \(<http://dica.dcinside.com/review.php?pid=7192>\), retrieved Sep. 22, 2011, 16 pages.

Flickr.com, “Apple Graphics Tablet” \(\[http://farm3.static.flickr.com/2691/4126733086_b24c987b0e_o.jpg\]\(http://farm3.static.flickr.com/2691/4126733086_b24c987b0e_o.jpg\)\), accessed Nov. 15, 2011, 1 page.

iF Design, “iF product design award 2007,” \(\[http://www.ifdesign.de/beitragsdetails_e.html?offset=87&sprache=2&award_id=121&beit...\]\(http://www.ifdesign.de/beitragsdetails_e.html?offset=87&sprache=2&award_id=121&beit...\) \), accessed on Sep. 21, 2011, 1 page.

iriver.com, “iriver U-10,” \(\[www.iriver.com\]\(http://www.iriver.com\)\), published 2005, 2 pages.

Itbusiness.ca, “Microsoft Mira eHome Wireless Smart Display,” \(\[http://www.itbusiness.ca/images/articles/Jun10/clip_image003_0087.jpg\]\(http://www.itbusiness.ca/images/articles/Jun10/clip_image003_0087.jpg\)\), accessed Nov. 15, 2011, 1 page.

iTechNews.net, “Samsung K3 MP3 Player,” \(<http://www.itechnews.net/2006/12/02/samsung-k3-mp3-player/>\), published Dec. 2, 2006, 9 pages.

Justia, “*Apple v. Samsung Electronics Co. Ltd. et al.*, Filing: 943 Attachment: 5,” \(<http://docs.justia.com/cases/federal/district-courts/california/candce/5:2011cv01846/239768/943/5.html>\), dated May 18, 2012, 3 pages.

Kauffmann, “Music That Fits In Your Pocket,” Tomsguide.com, \(<http://www.tomsguide.com/us/music-that-fits-in-your-pocket,review-525-5.html>\), published Aug. 25, 2005, 4 pages.

Lugmayr, “Sexy iHolic DMB TV PMP,” \(<http://www.i4u.com/1165/sexy-iholic-dmb-iv-pmp>\), published Jan. 3, 2007, 1 page.

Mel et al., “Tablet: Personal Computer in the Year 2000,” *Communications of the ACM* 31:638-646, ACM \(Jun. 1988\).

Mobilegazette.com, “Nokia N92,” \(<http://www.mobilegazette.com/nokia-n92-051102.htm>\), published Nov. 2, 2005, 2 pages.

Newlaunches.com, “PIDION BM-200 sleek Windows CE PDA phone from Bluebird,” \(\[http://www.newlaunches.com/archives/pidion_bm200_sleek_windows_ce_pda_phone_from_bluebird.php\]\(http://www.newlaunches.com/archives/pidion_bm200_sleek_windows_ce_pda_phone_from_bluebird.php\)\), published Dec. 15, 2005, 3 pages.

PCMag.com, “iriver U10,” \(<http://www.pcmag.com/article2/0,2817,1901833,00.asp>\), published Dec. 14, 2005, 3 pages.

PDADB.net, “Casio Cassiopeia IT-10 M20BR Specs,” \(\[http://pdadb.net/index.php?m=specs&id=95&c=casio_cassiopeia_it-10_m20br\]\(http://pdadb.net/index.php?m=specs&id=95&c=casio_cassiopeia_it-10_m20br\)\), published Dec. 30, 2004, 3 pages.

PDADB.net, “CyberBank POZ X301 Specs,” \(\[http://pdadb.net/index.php?m=specs&id=442&c=cyberbank_poz_x301\]\(http://pdadb.net/index.php?m=specs&id=442&c=cyberbank_poz_x301\)\), published Jan. 31, 2006, 3 pages.

PDADB.net, “Dell Axim X3 Basic Specs,” \(\[http://pdadb.net/index.php?m=specs&id=81&c=dell_axim_x3_basic\]\(http://pdadb.net/index.php?m=specs&id=81&c=dell_axim_x3_basic\)\), published Dec. 30, 2004, 3 pages.](http://www.ama-</p>
</div>
<div data-bbox=)

- PDADB.net, "Detailed Specifications of O2 XDA Flame," (http://pdadb.net/index.php?m=specs&id=673&view=1&c=O2_xda_flame), accessed May 6, 2011, 3 pages.
- PDADB.net, "Dopod 838 Pro (HTC Hermes 100) Specs," (http://pdadb.net/index.php?m=specs&id=578&c=dopod_838_pro_htc_hermes_100), published Aug. 4, 2005, 3 pages.
- PDADB.net, "Garmin iQue M5 Specs," (http://pdadb.net/index.php?m=specs&id=302&c=garmin_ique_m5), published Jul. 17, 2005, 3 pages.
- PDADB.net, "Krome Spy (HTC Magician Refresh) Specs," (http://pdadb.net/index.php?m=specs&id=550&c=krome_spy_htc_magician_refresh), published Jul. 18, 2006, 3 pages.
- PDADB.net, "MiTAC Mio 338 Plus Digi-Walker Specs," (http://pdadb.net/index.php?m=specs&id=60&cmitac_mio_338_plus_digi-walker), published Dec. 25, 2004, 3 pages.
- PDADB.net, "O2 XDA (HTC Wallaby) Specs," (http://pdadb.net/index.php?m=specs&id=117&c=o2_xda_htc_wallaby), published Feb. 3, 2005, 3 pages.
- PDADB.net, "Palm Z22 Specs," (http://pdadb.net/index.php?m=specs&id=1244&c=palm_z22), published Mar. 13, 2006, 3 pages.
- PDADB.net, "Toshiba Genio e330 Specs," (http://pdadb.net/index.php?m=specs&id=29&c=toshiba_genio_e330), published Dec. 9, 2004, 3 pages.
- PDADB.net, "Toshiba Genio e570 Specs," (http://pdadb.net/index.php?m=specs&id=229&c=toshiba_genio_e570), published May 4, 2006, 3 pages.
- Ricker, "The Pidion BM-200: it's time to move to Seoul," (<http://www.engadget.com/2005/10/04/the-pidion-bm-200-its-time-to-move-to-seoul/>), Engadget.com, published Oct. 4, 2005, 4 pages.
- Rojas, "Hands-on with the Nokia N92," Engadget.com, (<http://www.engadget.com/2005/12/01/hands-on-with-the-nokia-n92/>), published Dec. 1, 2005, 4 pages.
- S., Dimitris, "Pidion BM200 Smartphone," PDASNews, (www.pdasnews.com/articles/pidion-bm200-smartphone.html), published 2009, 2 pages.
- Salestores.com, "LG L1530TM Tablet LCD Monitor," (<http://salestores.com/lgl1530tm.html>), accessed Nov. 17, 2011, 2 pages.
- Smith et al., "The Radial Scroll Tool: Scrolling Support for Stylus- or Touch-Based Document Navigation," *UIST*, ACM, published Oct. 2004.
- Sooman, "The LG Chocolate phone," Techspot.com, (<http://www.techspot.com/news/20929-the-lg-chocolate-phone.html>), published on Mar. 23, 2006, 5 pages.
- Vilas-Boas, "Industrial Design Portfolio," (<http://rdvb.designshowcase.blogspot.com/cheddar-1-2009.html>), published 2004, 6 pages.
- WebdesignerDepot.com, "The Evolution of Cell Phone Design Between 1983-2009" (<http://www.webdesignerdepot.com/2009/05/the-evolution-of-cell-phone-design-between-1983-2009/>), accessed May 6, 2011, 56 pages.
- Wikipedia.org, "CLÍÉ," (<http://en.wikipedia.org/wiki/CLÍÉ>), last modified Feb. 12, 2011, 3 pages.
- Wikipedia.org, "E-Ten" (<http://en.wikipedia.org/wiki/E-TEN>), last modified Dec. 15, 2010, 2 pages.
- Wikipedia.org, "File:LG KE850 Prada Hauptmenü.jpg," (http://en.wikipedia.org/wiki/File:LG_KE850_Prada_Hauptmen%C3%BC.jpg), published May 13, 2008, 4 pages.
- Wikipedia.org, "iPAQ" (<http://en.wikipedia.org/wiki/IPAQ>), last modified May 4, 2011, 7 pages.
- Wikipedia.org, "LifeDrive" (<http://en.wikipedia.org/wiki/LifeDrive>), last modified Mar. 16, 2011, 3 pages.
- Wikipedia.org, "Pocket viewer," (http://en.wikipedia.org/wiki/Pocket_viewer), last modified Apr. 10, 2011, 4 pages.
- Wikipedia.org, "Zare Handheld" (http://en.wikipedia.org/wiki/Zare_Handheld), last modified Dec. 11, 2010, 4 pages.
- Gizloco, Gizmodo, "Touchscreen iPod Due This Nov. Says Our Secret Source," (<http://gizmodo.com/192158/touchscreen-ipod-due-this-november-says-our-secret-source>), published Aug. 4, 2006, 2 pages.
- Gizmodo, "Bluebird Pidion BM-200 Packed with Acronyms and Other Impressive Features," (<http://gizmodo.com/143554/bluebird-pidion-bm+200-packed-with-acronyms-and-other-impressive-features>), published Dec. 15, 2005, 2 pages.
- Sundgot, J., infoSync, "Preview: LG PM70," (<http://infosyncworld.com/news/n/5869.html>), published Mar. 15, 2005, 2 pages.
- Vasile, C., Softpedia, "MobilePen: An Expensive but Helpful Touchscreen," (<http://news.softpedia.com/news/MobilePen-An-Expensive-But-Helpful-Touchscreen-16192.shtml>), published Jan. 12, 2006, 2 pages.
- eFashion Magazine, vol. 119, p. 45, China (Jun. 1, 2005).
- eFashion Magazine, vol. 12, p. 60, China (2004).
- eFashion Magazine, vol. 172, p. 26, China (Apr. 2006).
- Electronista, "LG/Prada phone revealed?," (<http://www.electronista.com/articles/06/12/20/lg.prada.phone.revealed/>), updated Dec. 20, 2006, 9 pages.
- GSMarena, "Apple iPhone," (http://www.gsmarena.com/apple_iphone-1827.php), announced Jan. 2007, 3 pages.
- GSMarena, "LG KE850 Prada," (http://www.gsmarena.com/lg_ke850_prada-1828.php), announced Jan. 2007, 4 pages.
- GSMarena, "Philips S900," (http://www.gsmarena.com/philips_s900-1598.php), announced Jun. 2006, 2 pages.
- GSMarena, "Samsung F700," (http://www.gsmarena.com/samsung_f700-1849.php), announced Feb. 2007, 2 pages.
- Hagen, R., GadgetZone, "iHolic portable mediaspeler," (<http://www.gadgetzone.nl/nieuws.php?id=3191>), published Jan. 4, 2007, 3 pages.
- Hilon, LG DMB MP3 FM35, (<http://www.hilon.com/en/autobak/a88100055479.htm>), published Jun. 26, 2006, 3 pages.
- Hilon, LG DMB MP3 FM35, (http://www.hilon.com/en/autobak/a88100055479_2.htm), published Jun. 26, 2006, 3 pages.
- Hilon, LG DMB MP3 FM35, (http://www.hilon.com/en/autobak/a88100055479_3.htm), published Jun. 26, 2006, 3 pages.
- Hilon, LG DMB MP3 FM35, (http://www.hilon.com/en/autobak/a88100055479_4.htm), published Jun. 26, 2006, 3 pages.
- Hilon, LG DMB MP3 FM35, (http://www.hilon.com/en/autobak/a88100055479_5.htm), published Jun. 26, 2006, 3 pages.
- Hilon, LG DMB MP3 FM35, (http://www.hion.com/en/autobak/a88100055479_6.htm), published Jun. 26, 2006, 3 pages.
- Mobile Whack, "Tinnos PDA," (http://mobilewhack.com/reviews/tinnos_pda.html), published May 19, 2006, 1 page.
- NewLaunches, "LG Prada cell phones are truly iconic," (http://www.newlaunches.com/archives/lg_prada_cell_phones_are_truly_iconic.php), retrieved Sep. 12, 2011, 3 pages.
- NewLaunches, "LG Wears Prada," (http://www.newlaunches.com/archives/lg_wears_prada.php), retrieved Sep. 23, 2011, 2 pages.
- Ricker, T., Engadget, "Meizu's M8? Apple lawyers, start your engines," (<http://www.engadget.com/2007/01/29/meizus-m8-apple-lawyers-start-your-engines/>), published Jan. 29, 2007, 3 pages.
- Ziegler, C., Engadget, "The LG KE850: touchable chocolate," (<http://mobile.engadget.com/2006/12/15/the-lg-ke850-touchable-chocolate/>), published Dec. 15, 2006, 5 pages.
- Notification and Request for Invalidation of Chinese Patent ZL200730148767.X, Patent Reexamination Board of the State Intellectual Property Office of the PRC and English translation, mailed Dec. 11, 2008, 19 pages.
- Notification and Request for Invalidation of Chinese Patent ZL2007300148751.9, Patent Reexamination Board of the State Intellectual Property Office of the PRC and English translation, mailed Dec. 11, 2008, 19 pages.
- Samsung F700, announced Feb. 2007, [online], [retrieved on Feb. 8, 2007]. Retrieved from Internet. URL: <http://www.gsmarena.com>.
- Philips S900, announced Jun. 2006, [online], [retrieved on Feb. 20, 2007]. Retrieved from Internet, <URL: <http://www.gsmarena.com>>.
- LG KE850 Prada, announced Jan. 2007 [online], [retrieved on Feb. 20, 2007]. Retrieved from Internet, <URL: <http://www.gsmarena.com>>.
- Apple iPhone, announce Jan. 2007, [online], [retrieved on Mar. 12, 2007]. Retrieved from Internet <URL: <http://www.gsmarena.com>>.
- Tinnos PDS, posted May 19, 2006, [online], [retrieved on Aug. 22, 2007]. Retrieved from Internet, <<http://www.mobilewhack.com>>.
- Meizu M8, posted Jan. 29, 2007, [online], [retrieved on Sep. 30, 2007]. Retrieved from Internet, <URL: <http://www.edgadget.com>>.

Justia, “*Apple v. Samsung Electronics Co., Ltd. et al.*, Filing: 943 Attachment: 5,” (<http://docs.justia.com/cases/federal/district-courts/california/candce/5:2011cv01846/239768/942/5.html>), dated May 18, 2012, 3 pages.

U.S. Appl. No. 90/012,884, filed May 31, 2013.

U.S. Appl. No. 90/012,885, filed May 31, 2013.

Request for Ex Parte Reexamination of Design U.S. Pat. No. D618,677, filed May 31, 2013.

Request for Ex Parte Reexamination of Design U.S. Pat. No. D618,678, filed May 31, 2013.

Order Granting Request for Ex Parte Reexamination, Design U.S. Pat. No. D618,678, Reexamination Control No. 90/012,885, dated Aug. 15, 2013.

Order Granting Request for Ex Parte Reexamination, Design U.S. Pat. No. D618,677, Reexamination Control No. 90/012,884, dated Aug. 19, 2013.

Non-Final Office Action for Ex Parte Reexamination of Design U.S. Pat. No. D618,678, Reexamination Control No. 90/012,885, dated Aug. 5, 2015.

Non-Final Office Action for Ex Parte Reexamination of Design U.S. Pat. No. D618,677, Reexamination Control No. 90/012,884, dated Aug. 5, 2015.

Response to Non-Final Office Action for Ex Parte Reexamination of Design U.S. Pat. No. D618,678, Reexamination Control No. 90/012,885, dated Dec. 5, 2015.

Response to Non-Final Office Action for Ex Parte Reexamination of Design U.S. Pat. No. D618,677, Reexamination Control No. 90/012,884, dated Dec. 5, 2015.

* cited by examiner

Primary Examiner — Barbara Fox

Assistant Examiner — Dana K Weiland

(74) *Attorney, Agent, or Firm* — Sterne, Kessler, Goldstein & Fox P.L.L.C.

(57)

CLAIM

The ornamental design for an electronic device, as shown and described.

DESCRIPTION

FIG. 1 is a bottom front perspective view of an electronic device showing our new design.

FIG. 2 is a bottom rear perspective view thereof;

FIG. 3 is a front view thereof;

FIG. 4 is a rear view thereof;

FIG. 5 is a top plan view thereof;

FIG. 6 is a bottom plan view thereof;

FIG. 7 is a left side view thereof; and,

FIG. 8 is a right side view thereof.

The broken lines in the Figures show portions of the electronic device that form no part of the claimed design.

1 Claim, 2 Drawing Sheets

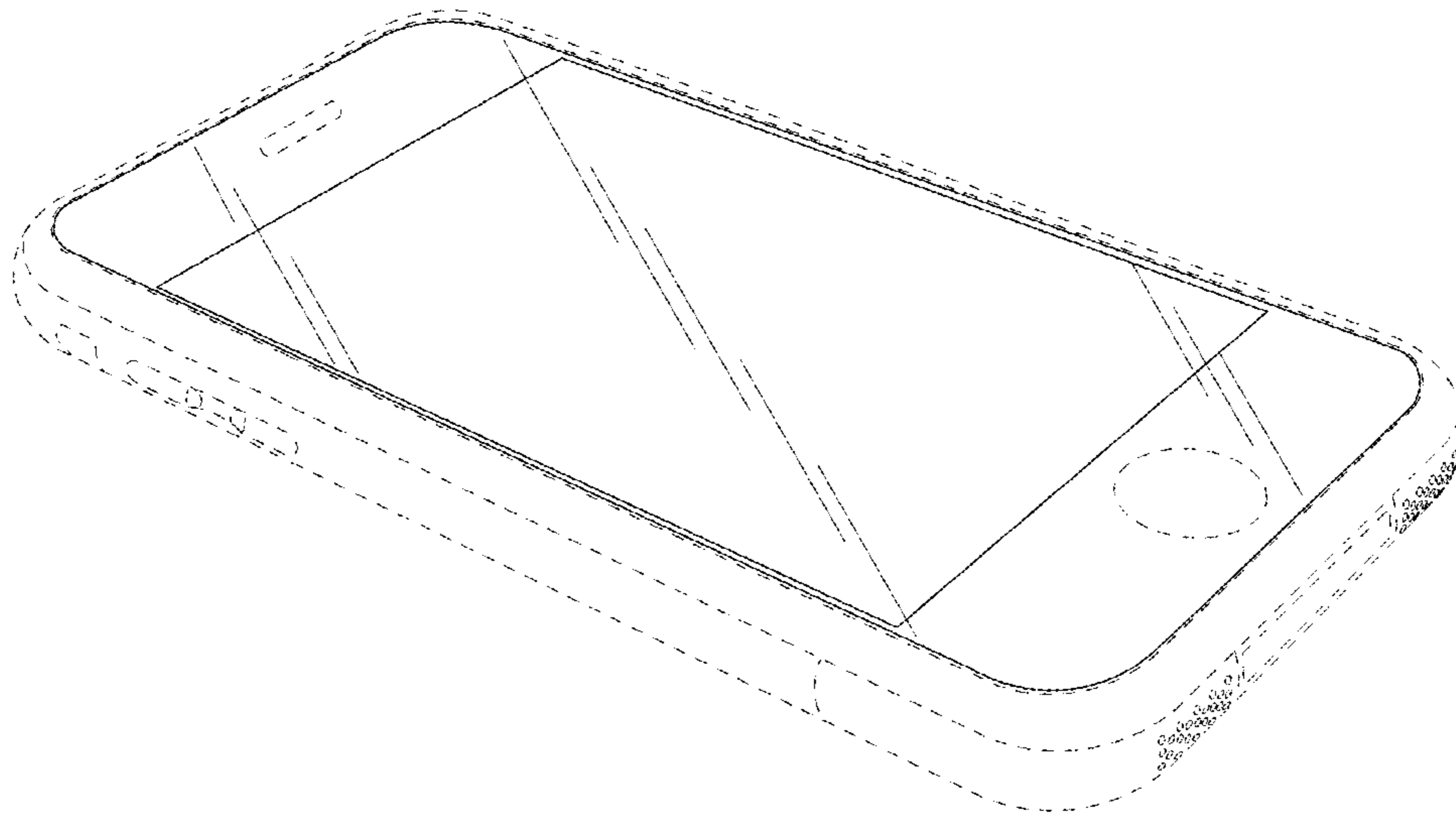


FIG. 1

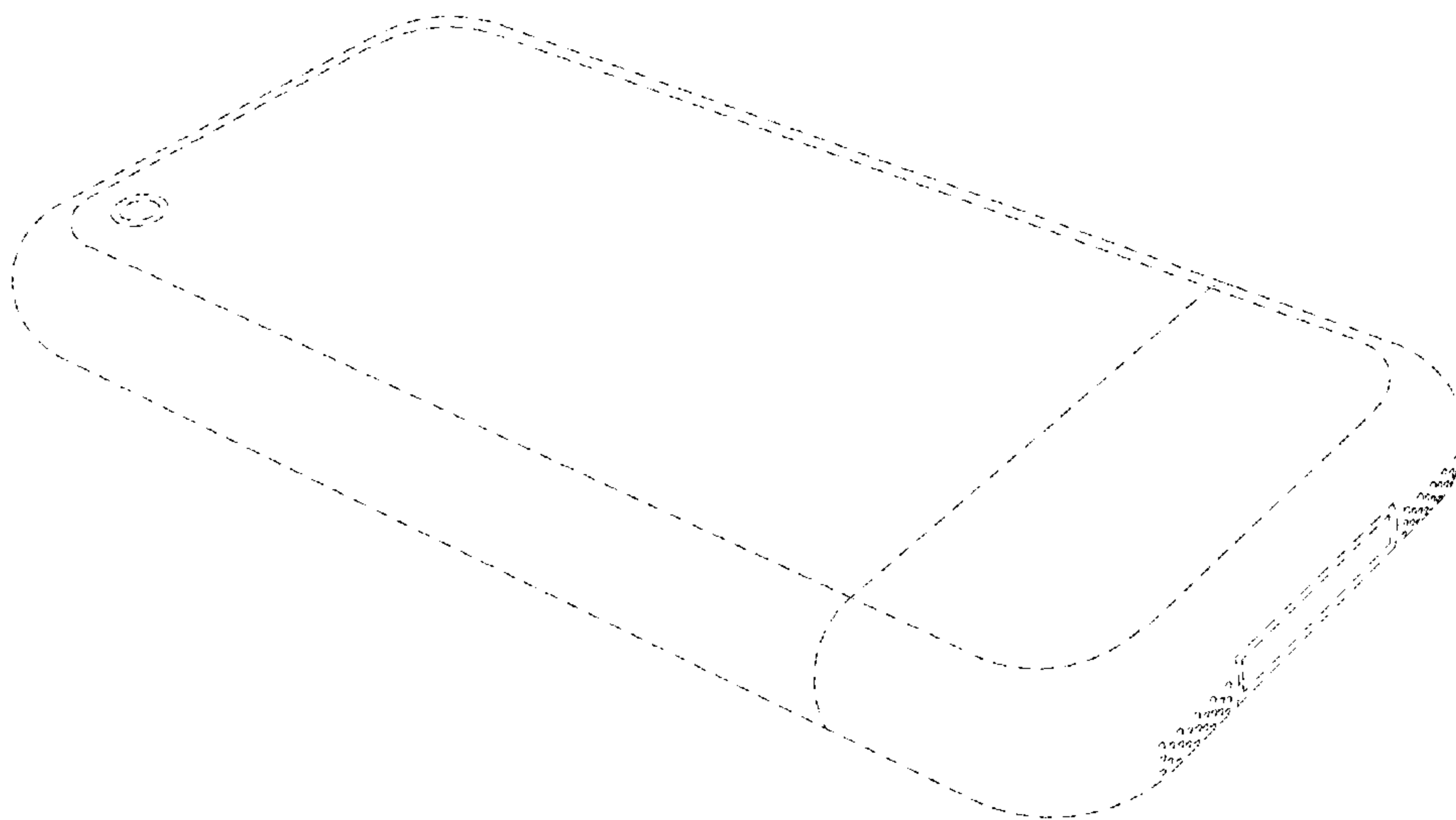


FIG. 2

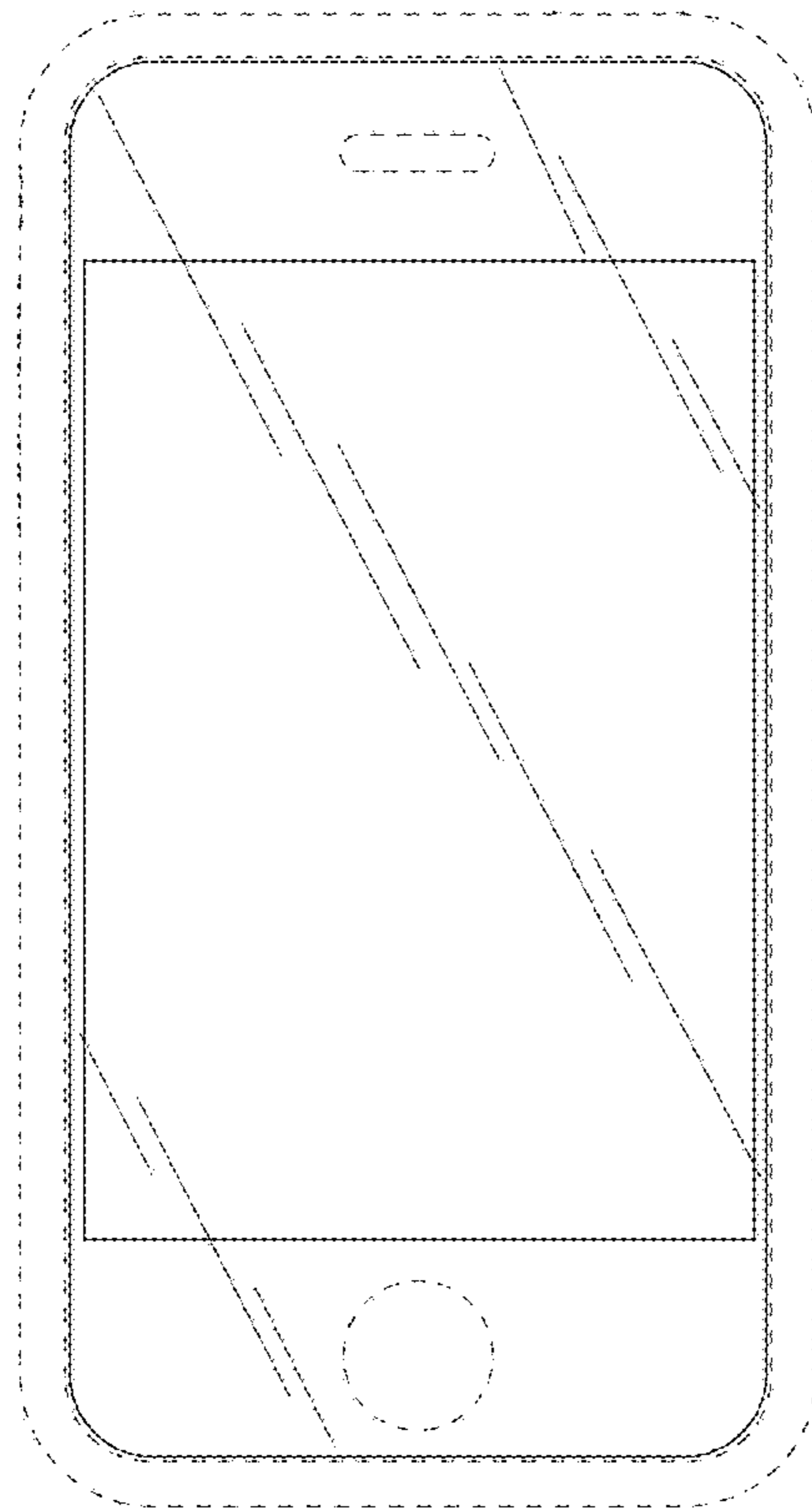


FIG. 3

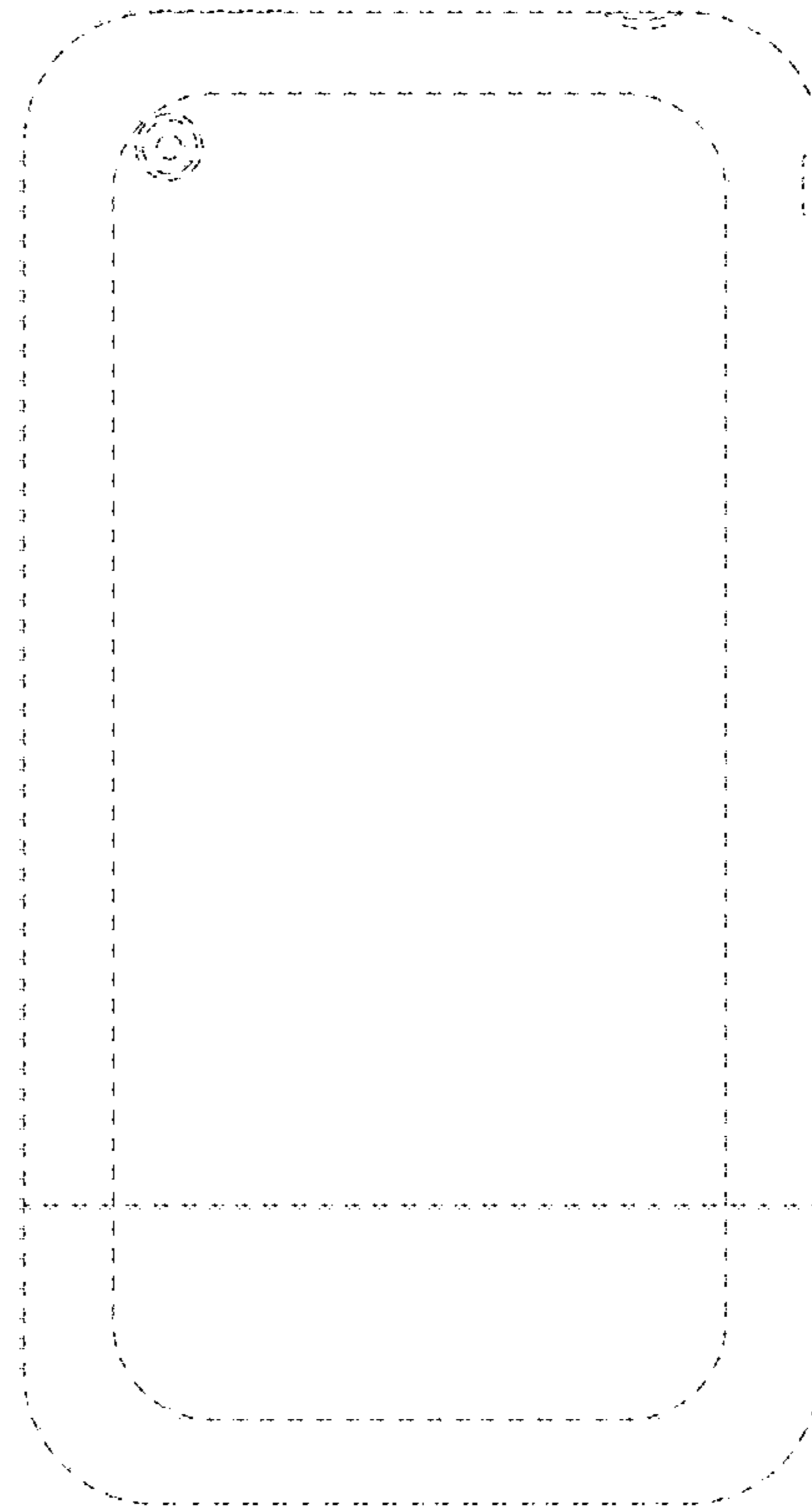


FIG. 4

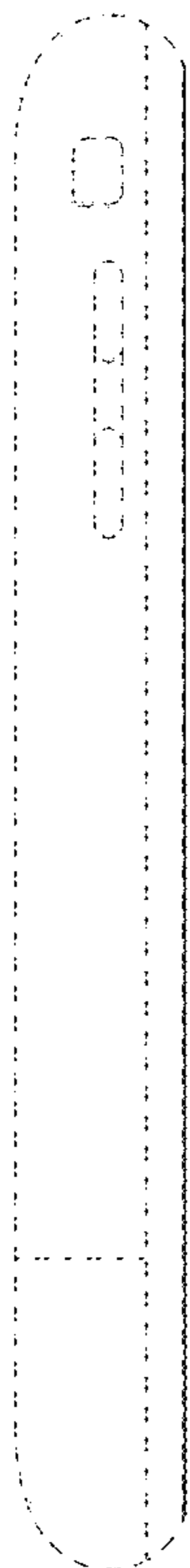


FIG. 7

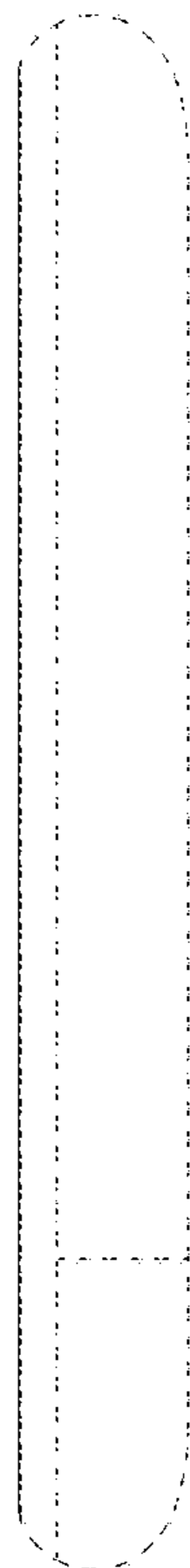


FIG. 8

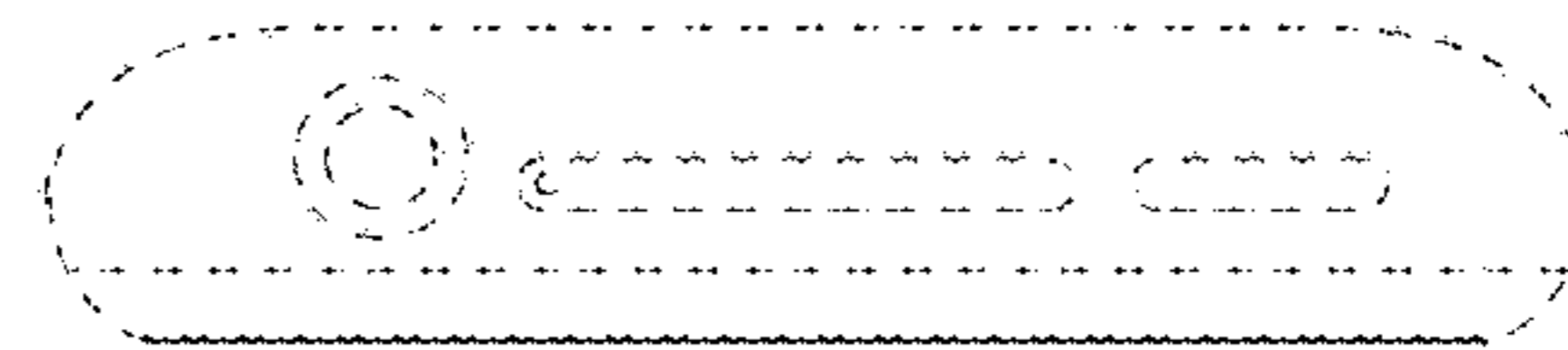


FIG. 5

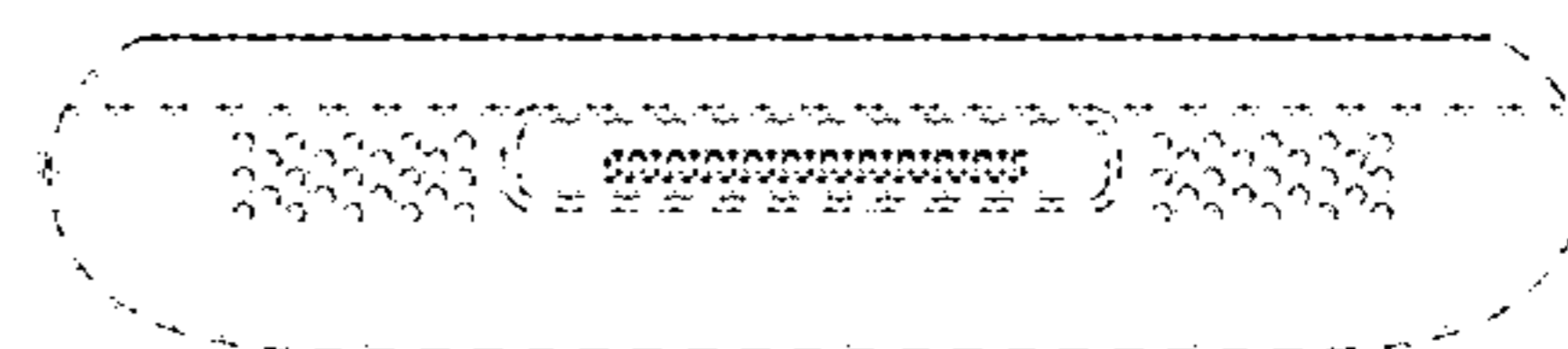


FIG. 6