



US00D809499S

(12) **United States Design Patent** (10) **Patent No.:** **US D809,499 S**
Munro et al. (45) **Date of Patent:** **** Feb. 6, 2018**

- (54) **SELF-SERVICE TERMINAL**
- (71) Applicant: **NCR Corporation**, Duluth, GA (US)
- (72) Inventors: **Marshall Munro**, Dunfermline (GB);
Steven J. Birnie, Dundee (GB); **Tim Gerlach**, Walnut Creek, CA (US);
Stephen W. Swaine, Perthshire (GB)
- (73) Assignee: **NCR Corporation**, Duluth, GA (US)
- (**) Term: **15 Years**
- (21) Appl. No.: **29/586,728**
- (22) Filed: **Dec. 6, 2016**
- (51) **LOC (11) Cl.** **14-02**
- (52) **U.S. Cl.**
USPC **D14/307**
- (58) **Field of Classification Search**
USPC D14/302-307, 900-902; D13/163;
D20/10; D21/332, 325, 369, 370;
D99/28; D6/397, 466; 194/206;
361/679.01, 679.02, 679.04, 679.21,
361/679.57, 725
CPC G06Q 20/18; G06Q 20/10; G06Q 20/123;
G06Q 20/20; G06Q 30/02; G06Q 30/06;
A47F 9/047
See application file for complete search history.

- D493,452 S * 7/2004 Devane D14/307
- D579,482 S * 10/2008 Gaze D14/308
- D671,164 S * 11/2012 Bleck D18/3.3
- D681,030 S * 4/2013 Yopez D14/307
- D725,647 S * 3/2015 Williams D14/307
- D743,956 S * 11/2015 Kraft D14/307
- D751,061 S * 3/2016 Berini D14/307
- D763,247 S * 8/2016 Yopez D14/307
- D767,559 S * 9/2016 Pfeiffer D14/307
- D782,148 S * 3/2017 Rohan D99/28
- D783,015 S * 4/2017 Birnie D14/307

* cited by examiner

Primary Examiner — Austin Murphy

(74) *Attorney, Agent, or Firm* — Paul W. Martin

(57) **CLAIM**

The ornamental design for a self-service terminal, as shown and described.

DESCRIPTION

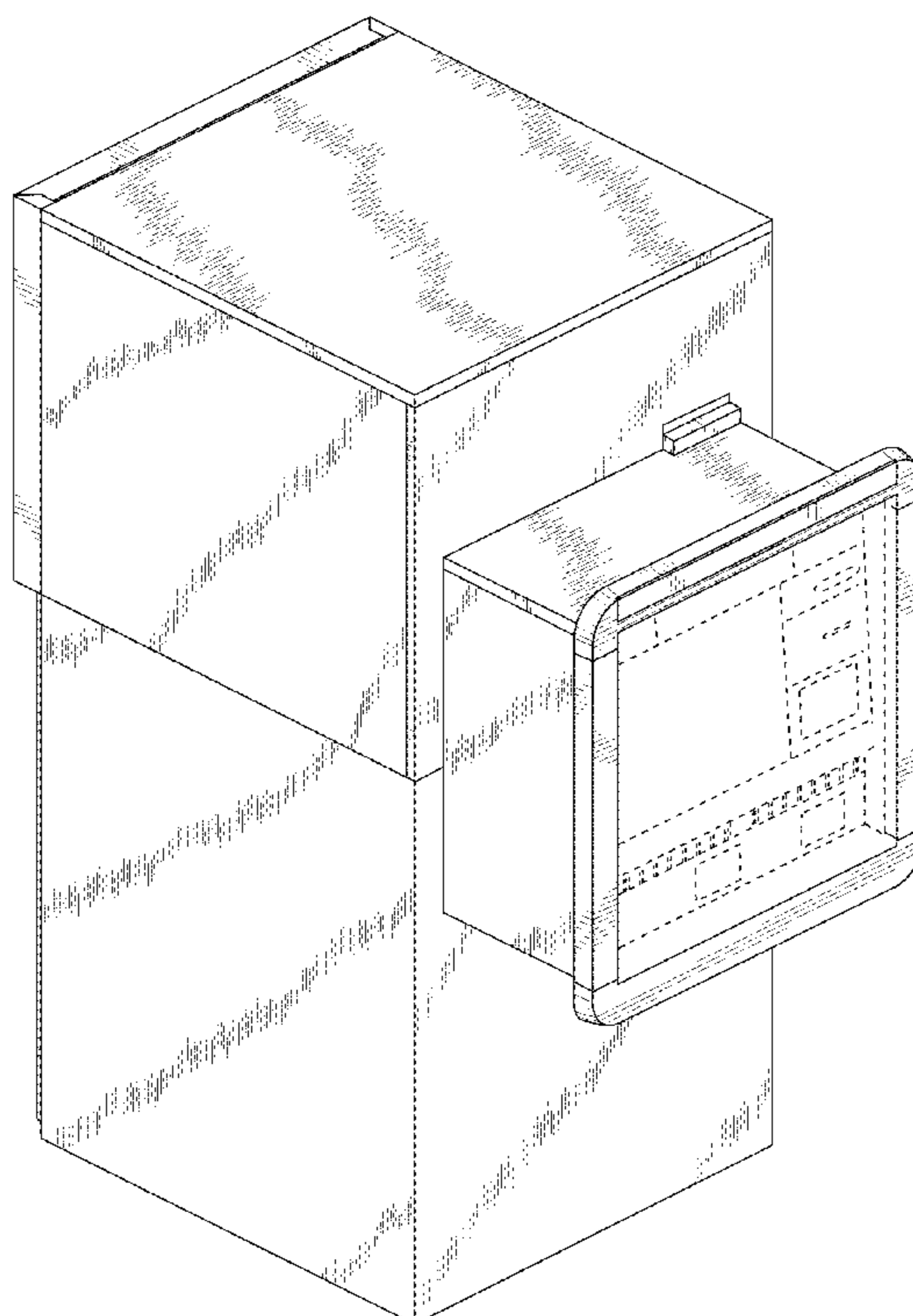
FIG. 1 is a first perspective view of a self-service terminal showing our new design;
FIG. 2 is a second perspective view of the self-service terminal showing our new design;
FIG. 3 is a right side view thereof;
FIG. 4 is a left side view thereof;
FIG. 5 is a front view thereof;
FIG. 6 is a rear view thereof;
FIG. 7 is a top view thereof; and,
FIG. 8 is a bottom view thereof.

(56) **References Cited**

U.S. PATENT DOCUMENTS

- D318,553 S * 7/1991 Brown D99/28
- D366,975 S * 2/1996 Kaga D14/307

1 Claim, 7 Drawing Sheets



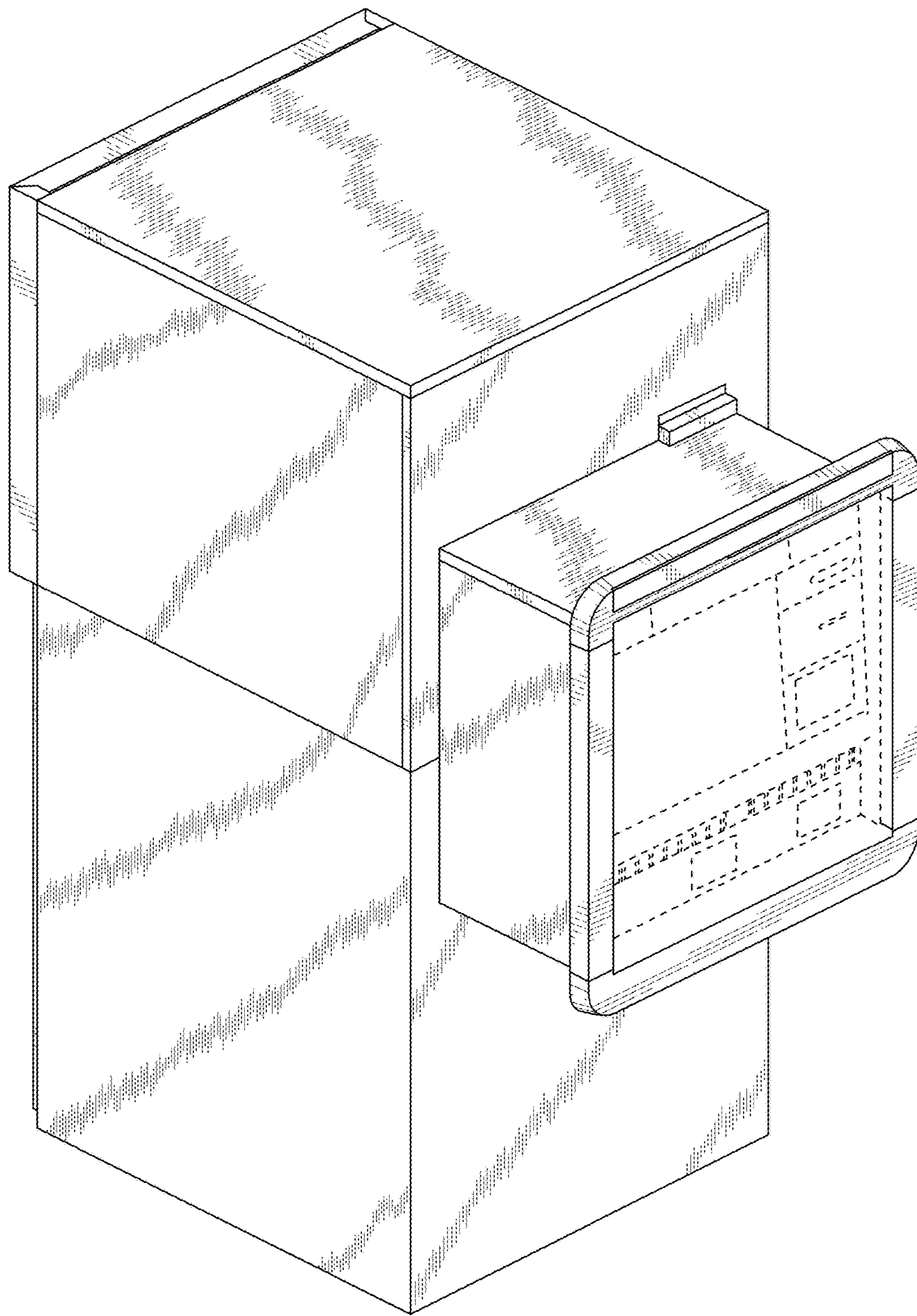


FIG. 1

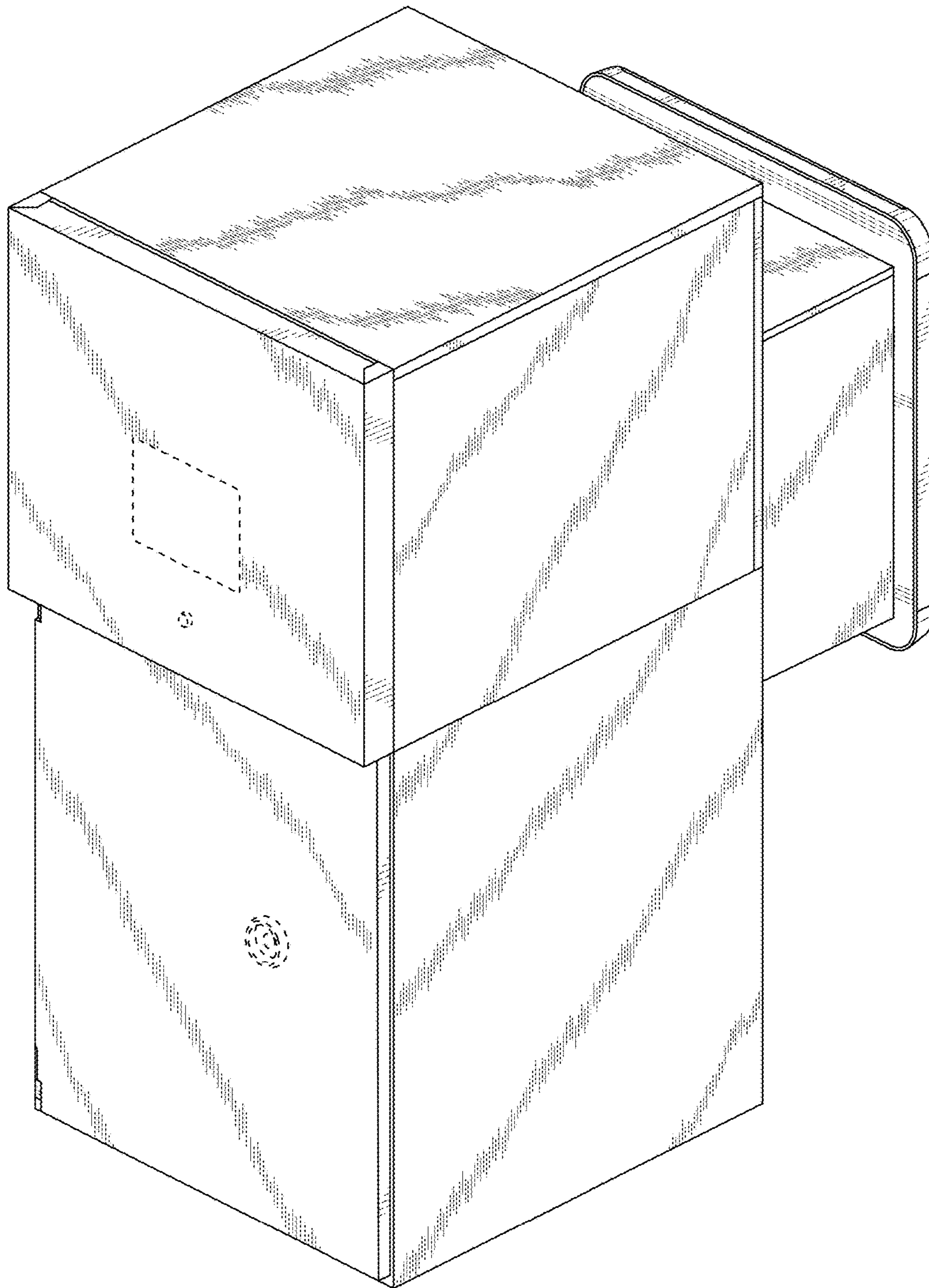


FIG. 2

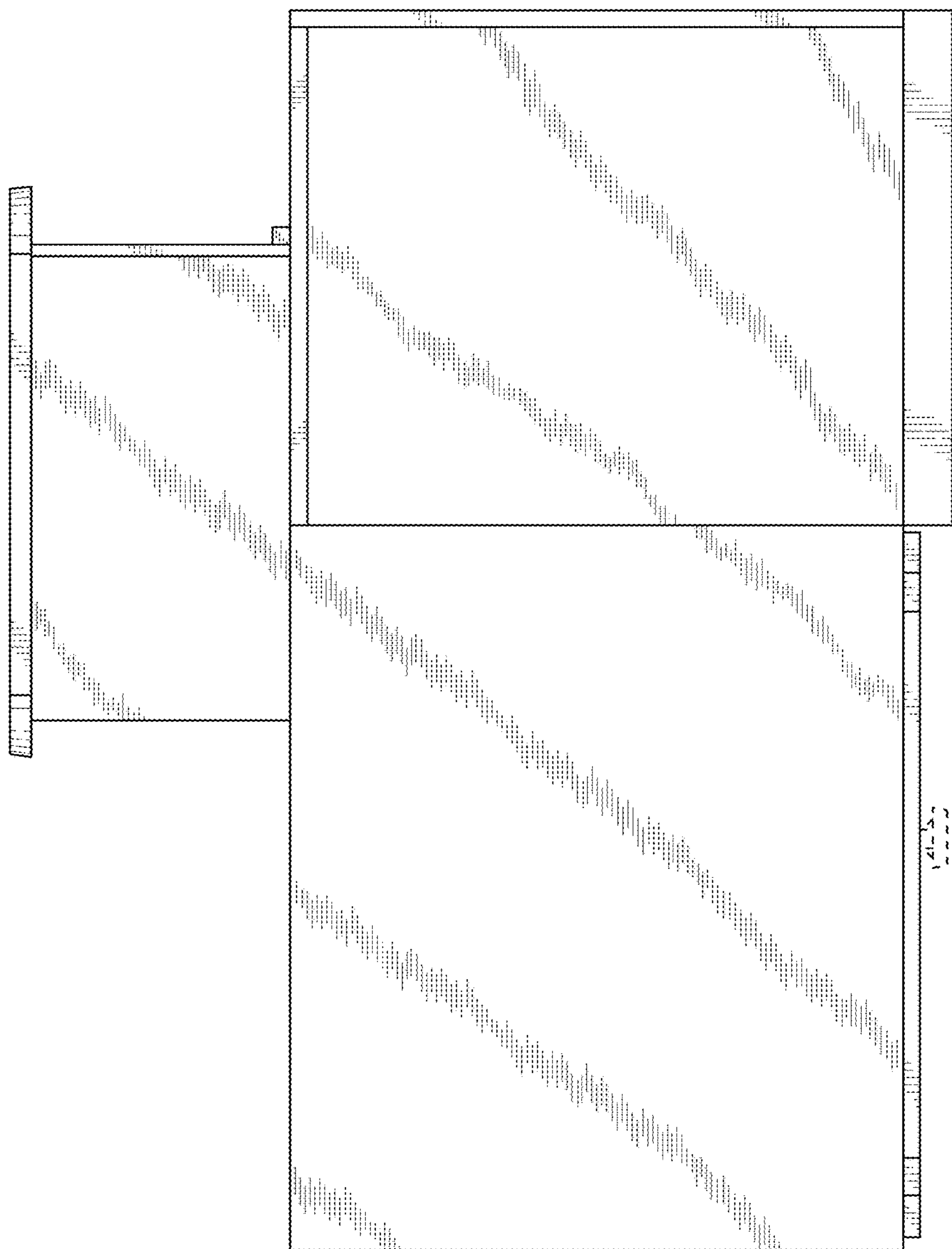


FIG. 3

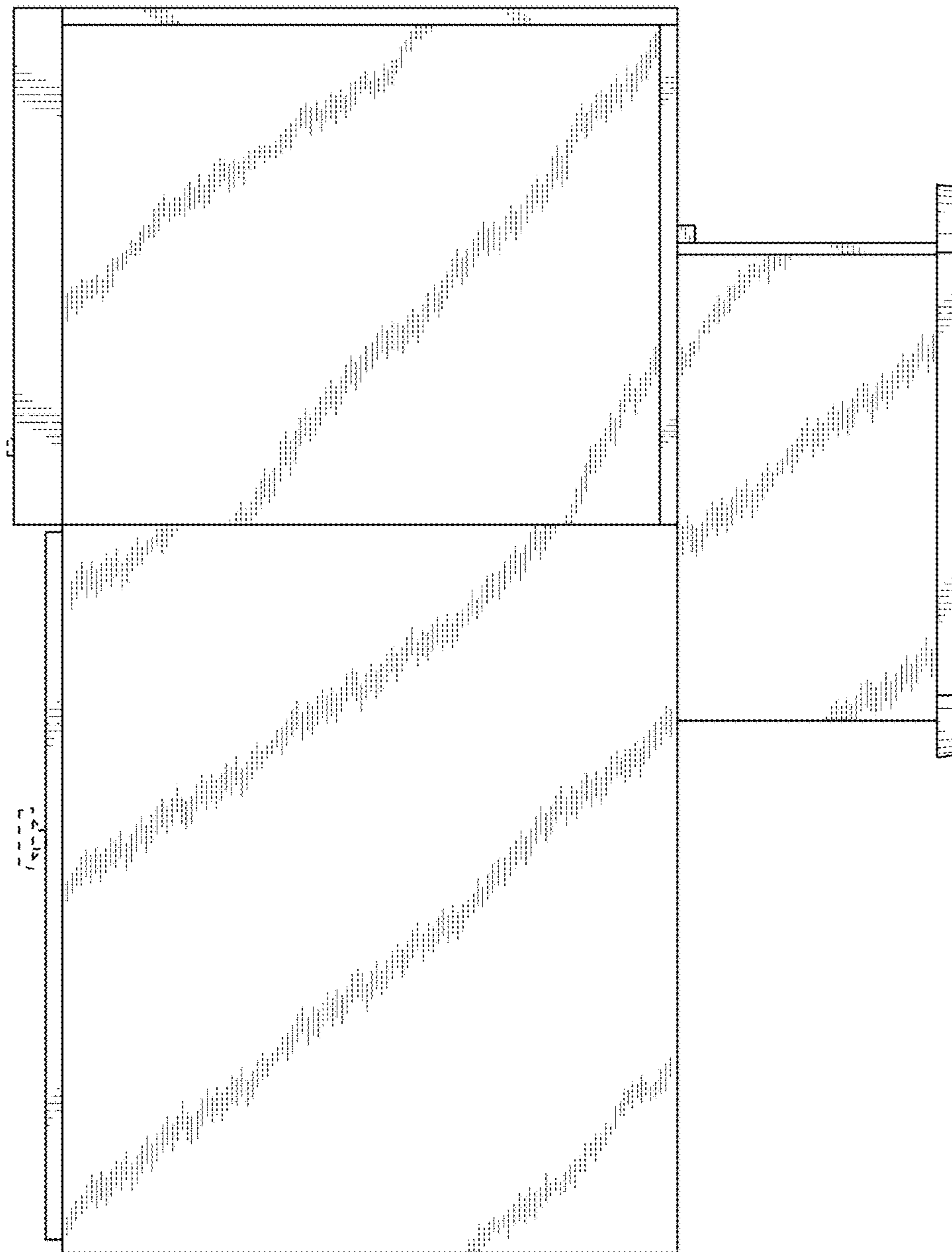


FIG. 4

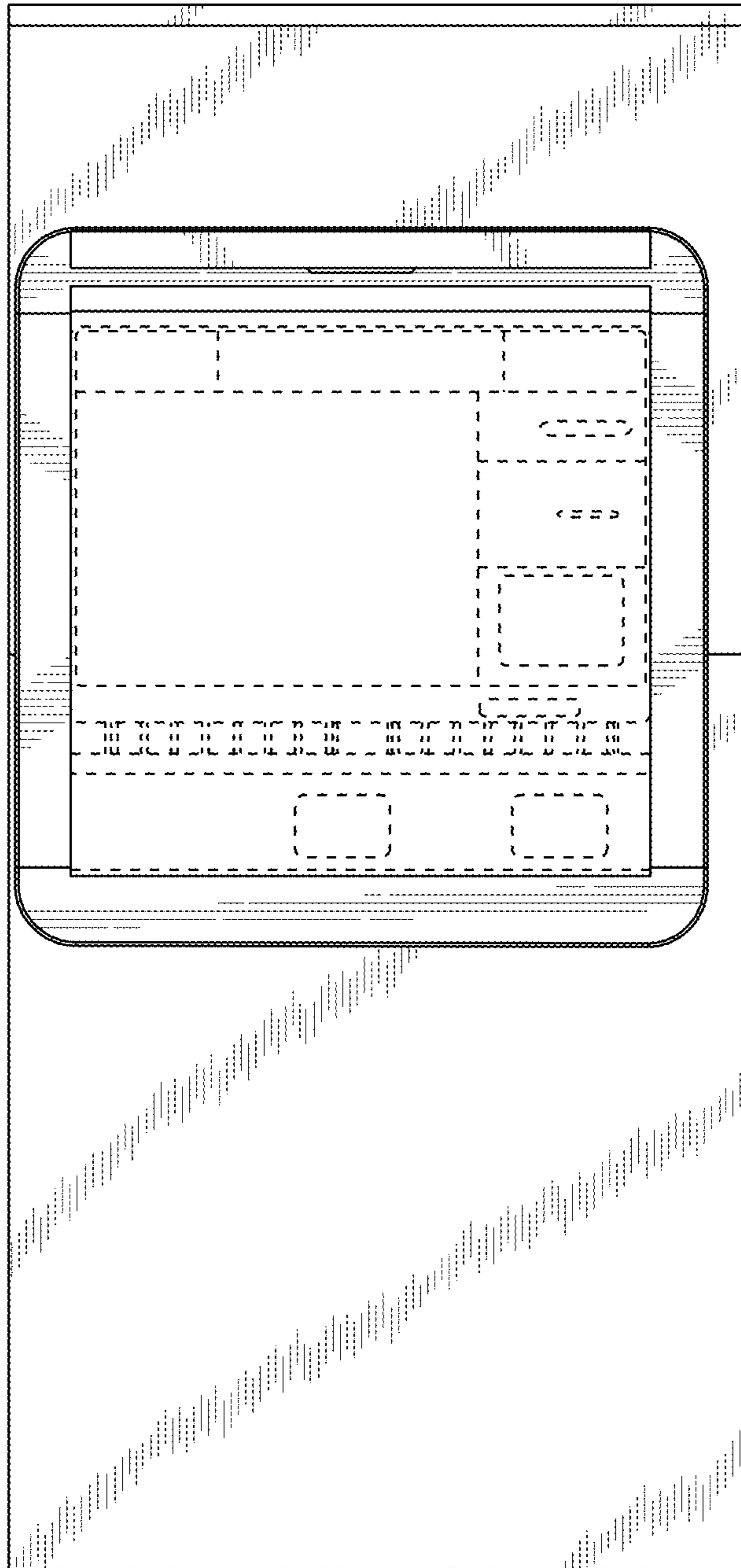


FIG. 5

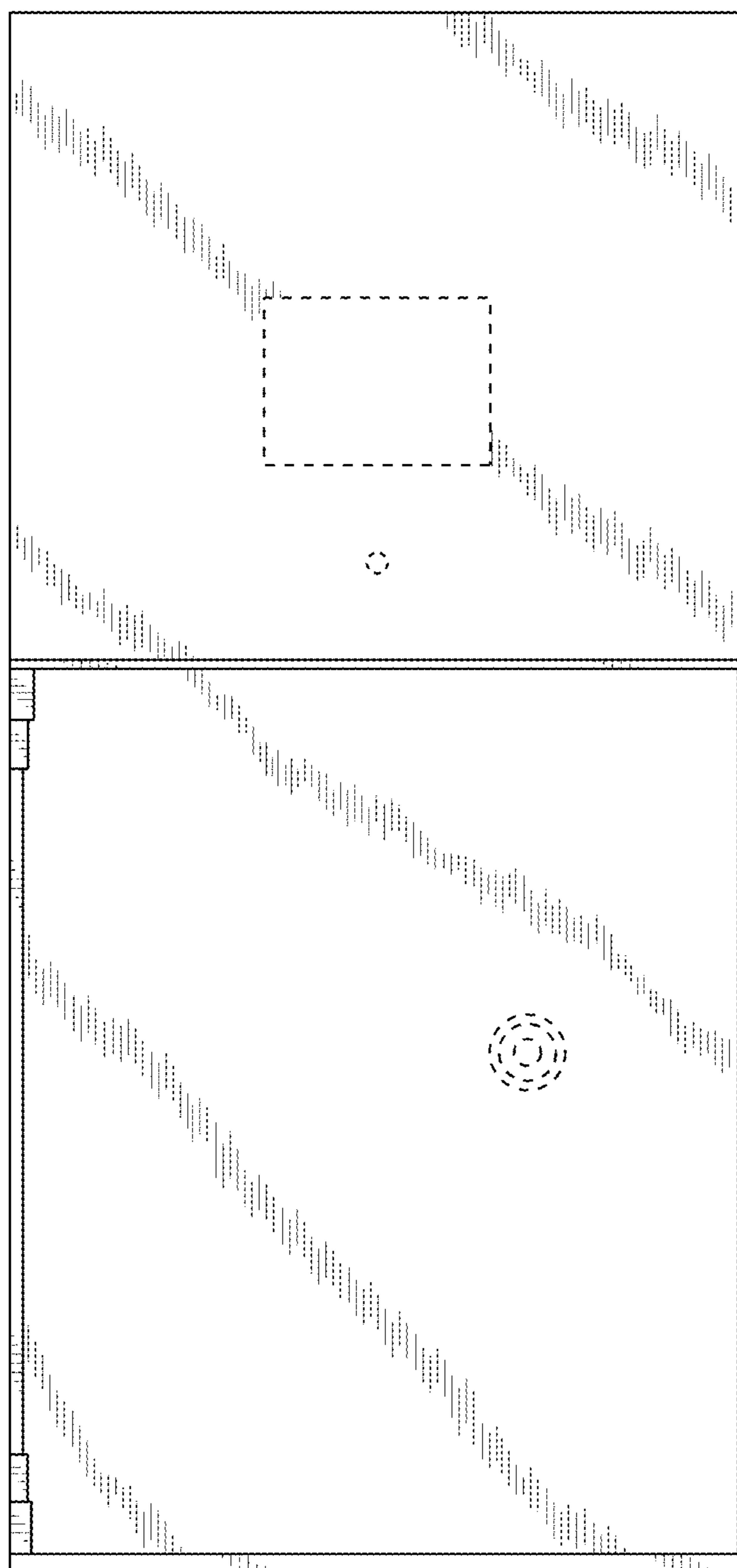


FIG. 6

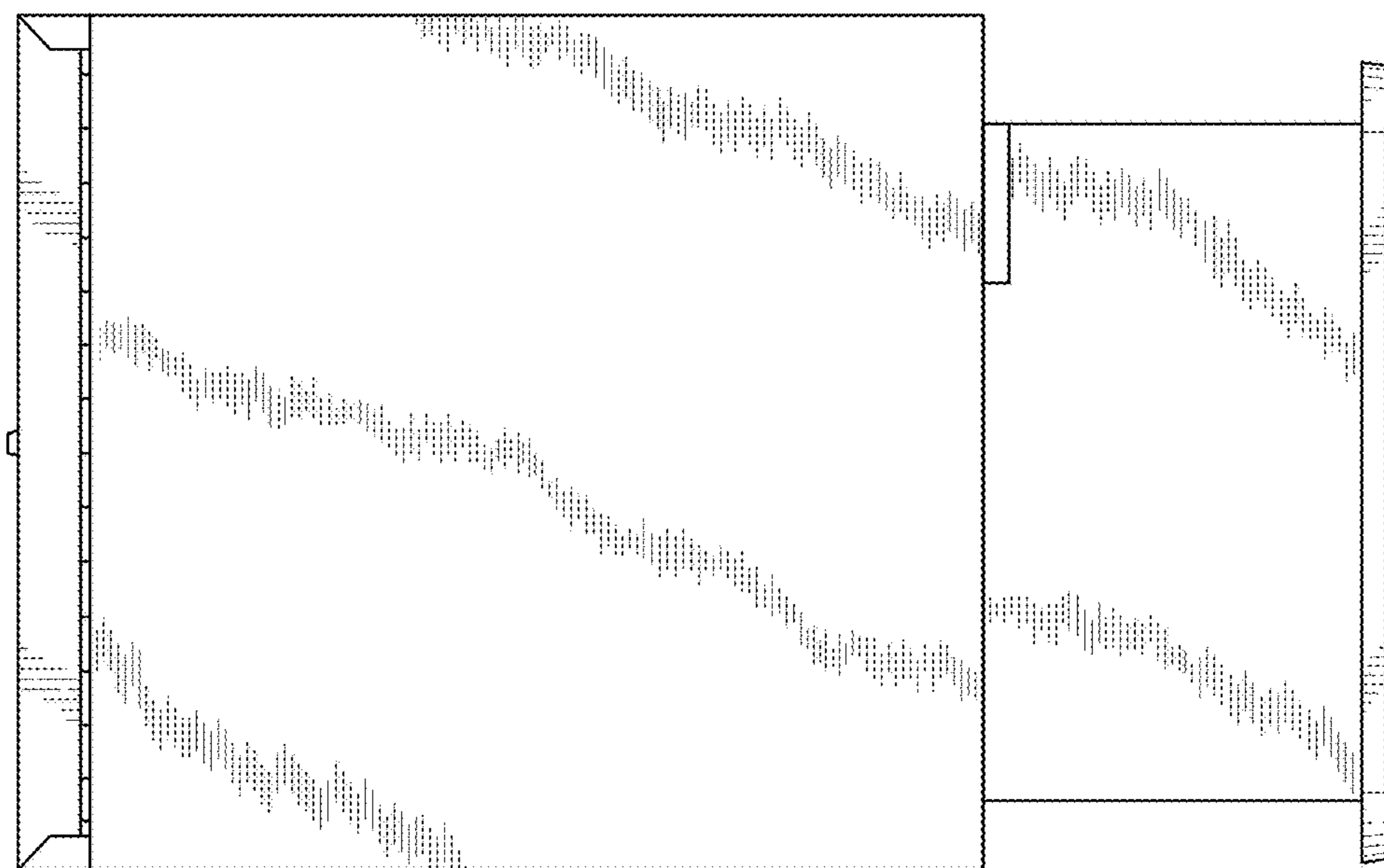


FIG. 7

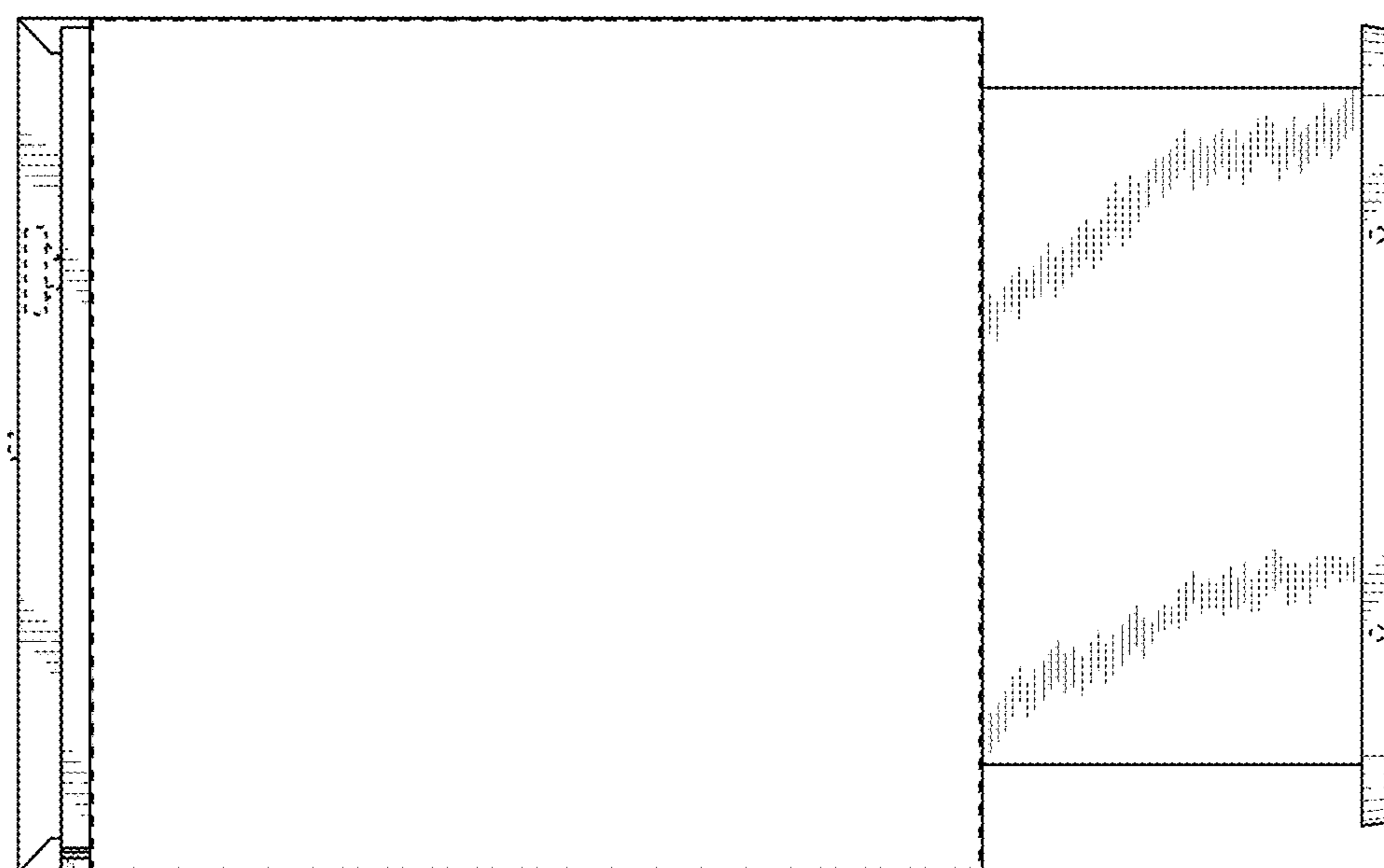


FIG. 8