



US00D809497S

(12) **United States Design Patent**  
**Kim et al.**

(10) **Patent No.:** **US D809,497 S**

(45) **Date of Patent:** **\*\* Feb. 6, 2018**

(54) **COVER FOR MOBILE PHONE**

(71) Applicant: **Samsung Electronics Co., Ltd.**,  
Suwon-si (KR)

(72) Inventors: **Kiseong Kim**, Gwangmyeong-si (KR);  
**Yoonyoung Kim**, Seongnam-si (KR)

(73) Assignee: **SAMSUNG ELECTRONICS CO., LTD.**,  
Suwon-si (KR)

(\*\*) Term: **15 Years**

(21) Appl. No.: **29/577,825**

(22) Filed: **Sep. 15, 2016**

(30) **Foreign Application Priority Data**

Apr. 14, 2016 (KR) ..... 30-2016-0017741  
Aug. 31, 2016 (KR) ..... 30-2016-0042817

(51) **LOC (11) Cl.** ..... **14-03**

(52) **U.S. Cl.**  
USPC ..... **D14/250**

(58) **Field of Classification Search**  
USPC ..... D14/248, 439, 203.3-203.7, 217, 240,  
D14/447, 251-253, 238.1, 250, 440;  
D3/201, 218, 247, 269, 273, 301, 303;  
D13/103, 107-108, 119  
CPC ..... H04B 1/3888; H04M 1/0283; H04M  
1/0202; A45C 1/06; A45C 2011/002;  
A45C 11/00; A45C 13/02; A45F  
2005/026; A45F 2200/0525; A45F  
2200/0516

See application file for complete search history.

(56) **References Cited**

**U.S. PATENT DOCUMENTS**

D582,405 S \* 12/2008 Andre ..... D3/299  
D652,829 S \* 1/2012 Kim ..... D14/250  
D657,354 S \* 4/2012 Kim ..... D14/250  
D685,801 S \* 7/2013 Canizares ..... D14/440

D694,741 S \* 12/2013 Kim ..... D14/250  
D702,673 S \* 4/2014 Murchison ..... D14/250  
D707,218 S \* 6/2014 YoonYoung ..... D14/250

(Continued)

*Primary Examiner* — Carla J Wright

(74) *Attorney, Agent, or Firm* — McAndrews Held &  
Malloy, Ltd.

(57) **CLAIM**

The ornamental design for a cover for mobile phone, as  
shown and described.

**DESCRIPTION**

FIG. 1 is a front perspective view of a cover for mobile  
phone showing our new design according to a first embodi-  
ment;

FIG. 2 is a front elevation view thereof;

FIG. 3 is a rear elevation view thereof;

FIG. 4 is a left side elevation view thereof;

FIG. 5 is a right side elevation view thereof;

FIG. 6 is a top plan view thereof;

FIG. 7 is a bottom plan view thereof;

FIG. 8 is a rear perspective view thereof;

FIG. 9 is a front perspective view thereof, showing the cover  
in a closed configuration;

FIG. 10 is rear perspective view thereof, showing the cover  
in a closed configuration;

FIG. 11 is a front perspective view of a cover for mobile  
phone showing our new design according to a second  
embodiment;

FIG. 12 is a front elevation view thereof;

FIG. 13 is a rear elevation view thereof;

FIG. 14 is a left side elevation view thereof;

FIG. 15 is a right side elevation view thereof;

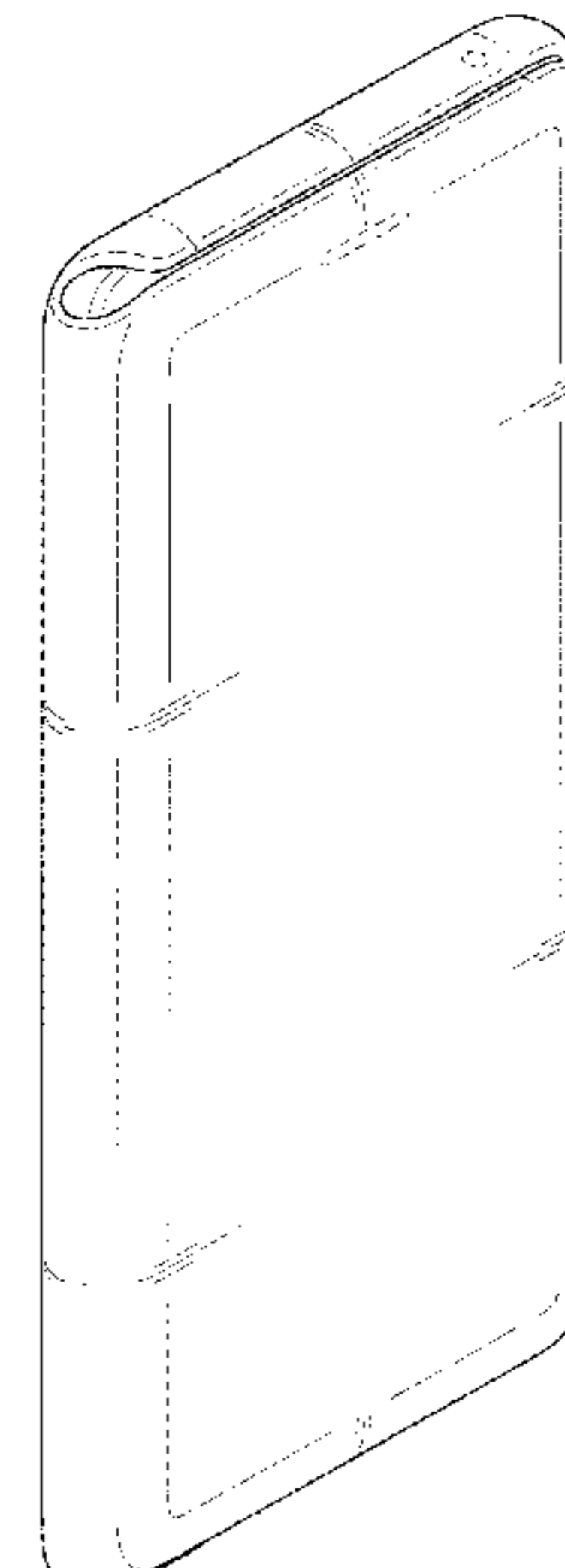
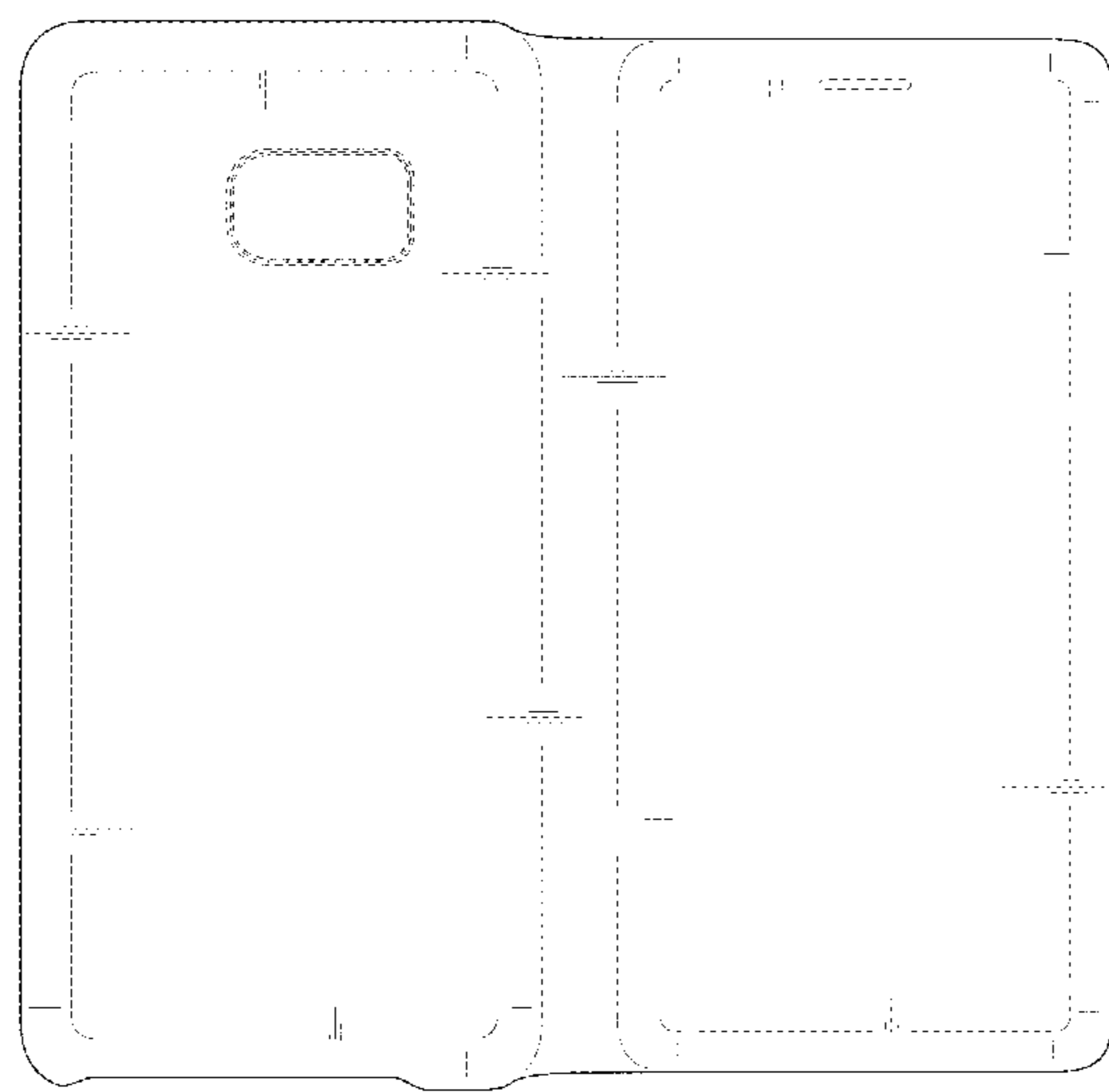
FIG. 16 is a top plan view thereof;

FIG. 17 is a bottom plan view thereof; and,

FIG. 18 is a rear perspective view thereof.

The broken lines in the drawings represent portions of the  
cover for mobile phone that form no part of the claimed  
design.

**1 Claim, 16 Drawing Sheets**



(56)

**References Cited**

U.S. PATENT DOCUMENTS

D710,838	S	*	8/2014	Song	.....	D14/250
D711,861	S	*	8/2014	Mei	.....	D14/250
D712,393	S	*	9/2014	Kim	.....	D14/250
D714,054	S	*	9/2014	Kershenstein	.....	D3/269
D714,550	S	*	10/2014	Yoo	.....	D3/269
D729,522	S	*	5/2015	Kim	.....	D3/218
D755,168	S	*	5/2016	Kim	.....	D14/250
D760,708	S	*	7/2016	Hirst	.....	D14/250
D763,839	S	*	8/2016	Shin	.....	D14/250
D765,637	S	*	9/2016	Lay	.....	D14/250
D765,639	S	*	9/2016	Lay	.....	D14/250
D767,888	S	*	10/2016	Kim	.....	D3/249
D777,159	S	*	1/2017	Lee	.....	D14/250
D777,421	S	*	1/2017	Grote	.....	D14/250
D788,093	S	*	5/2017	Lee	.....	D14/250
D789,342	S	*	6/2017	Sirichai	.....	D14/250
D791,758	S	*	7/2017	Lee	.....	D14/250
D794,008	S	*	8/2017	Lee	.....	D14/250
2012/0085679	A1	*	4/2012	Kim	.....	A45C 3/001 206/736

\* cited by examiner

FIG. 1

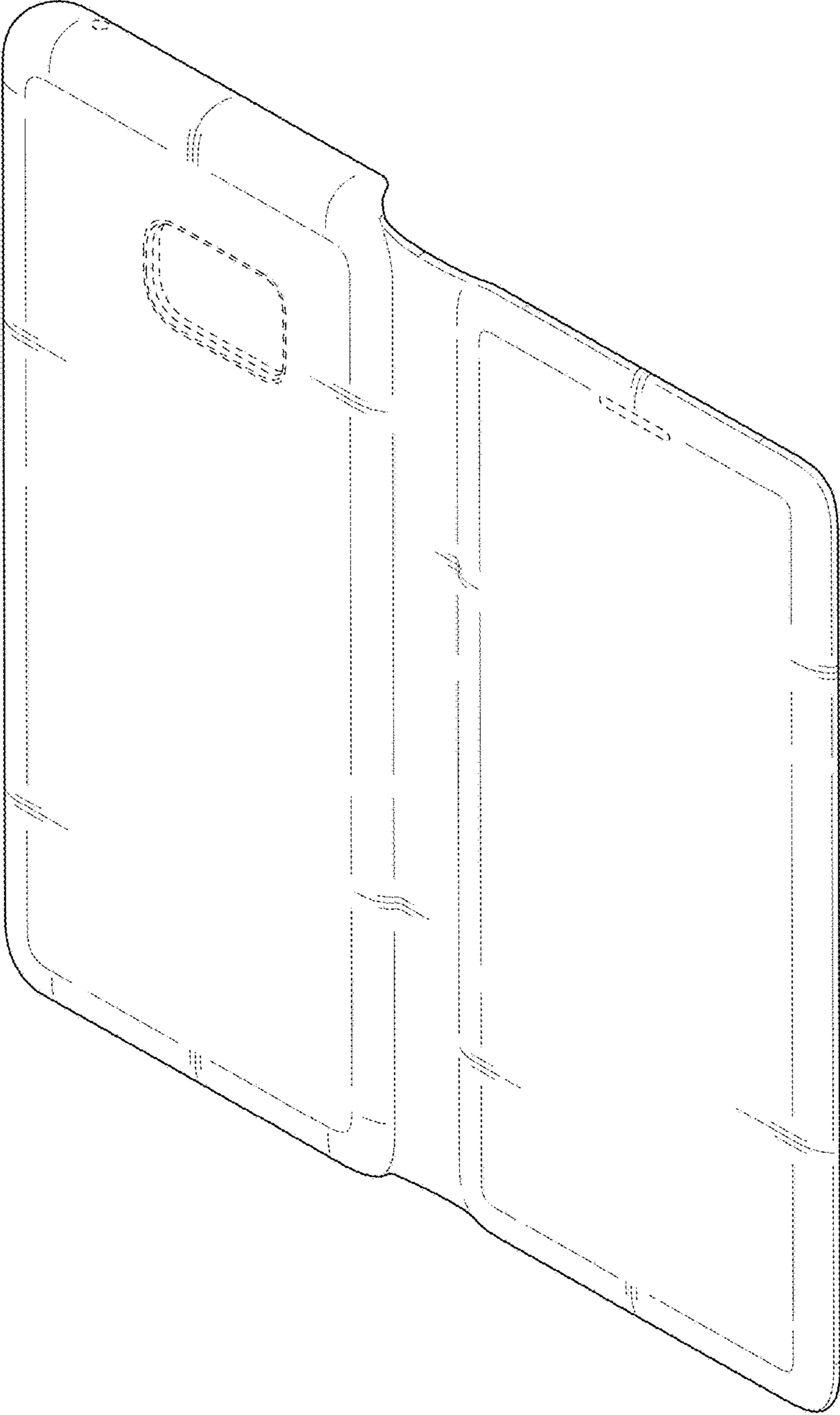


FIG. 2

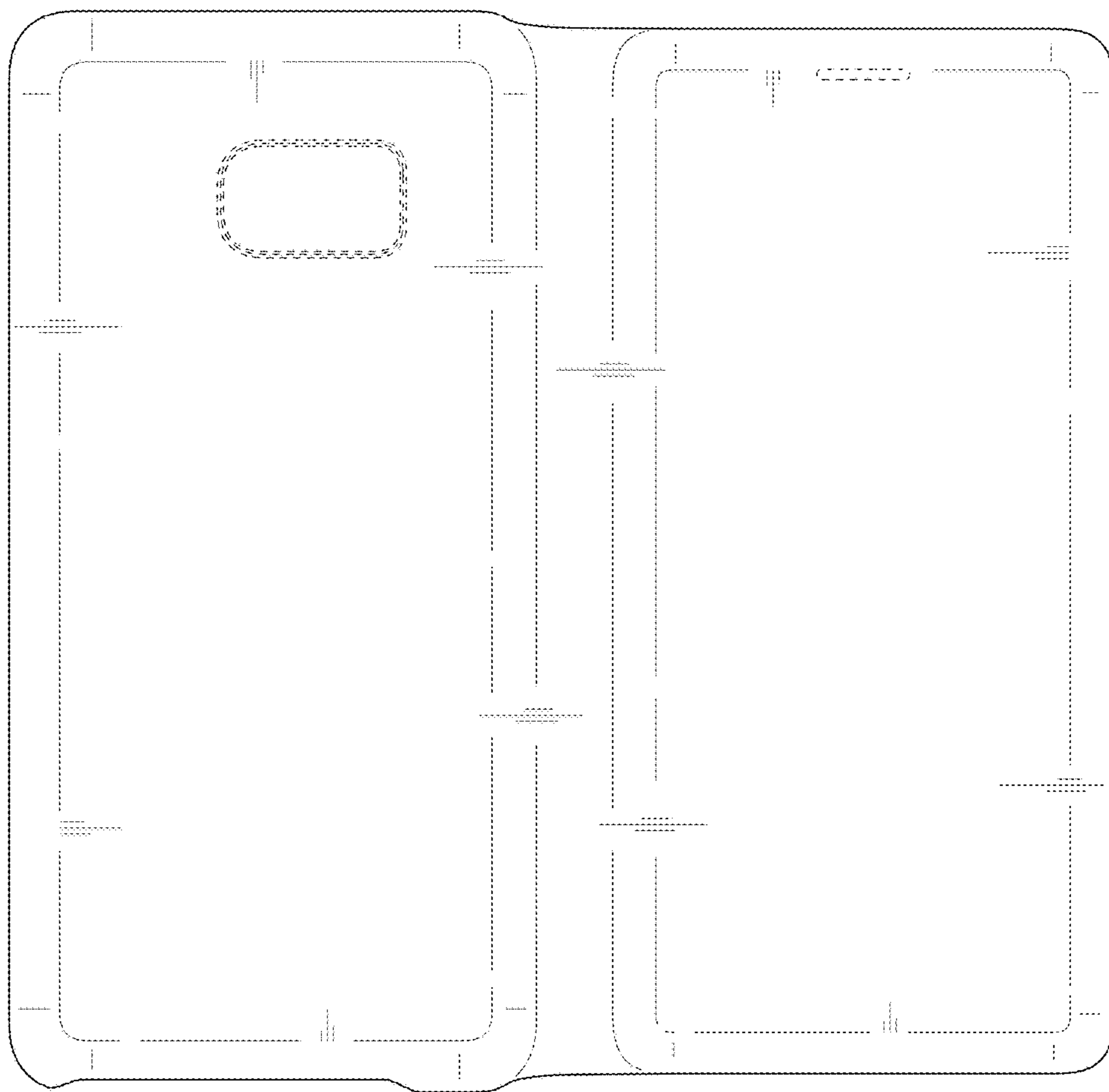


FIG. 3

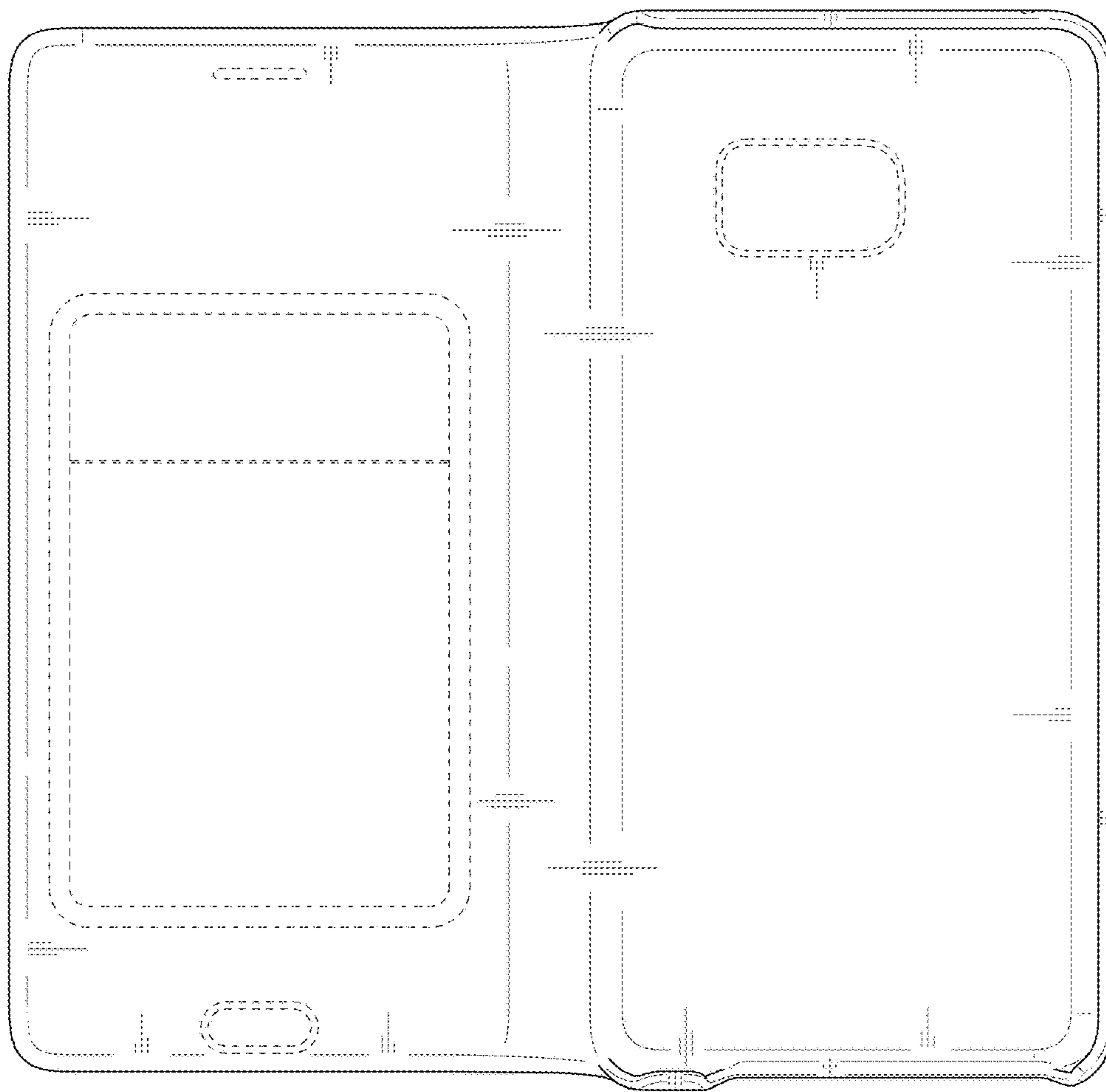


FIG. 4

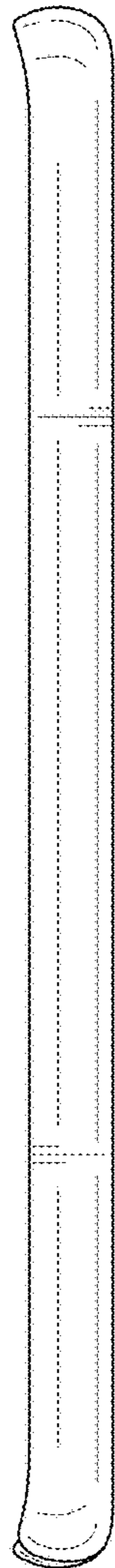


FIG. 5

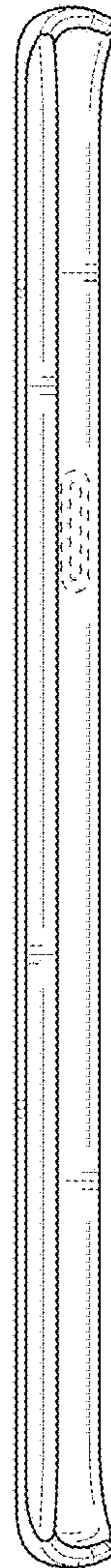


FIG. 6

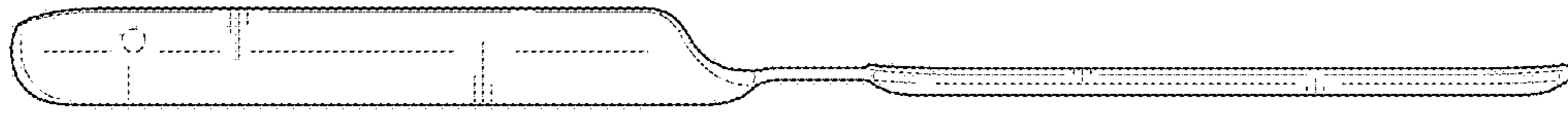


FIG. 7

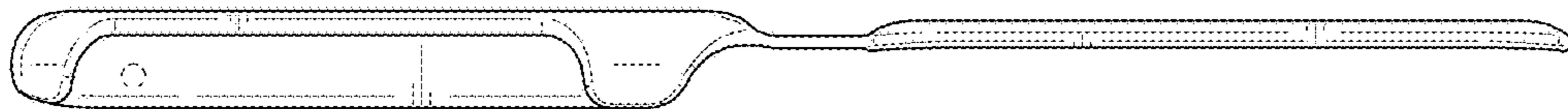




FIG. 8

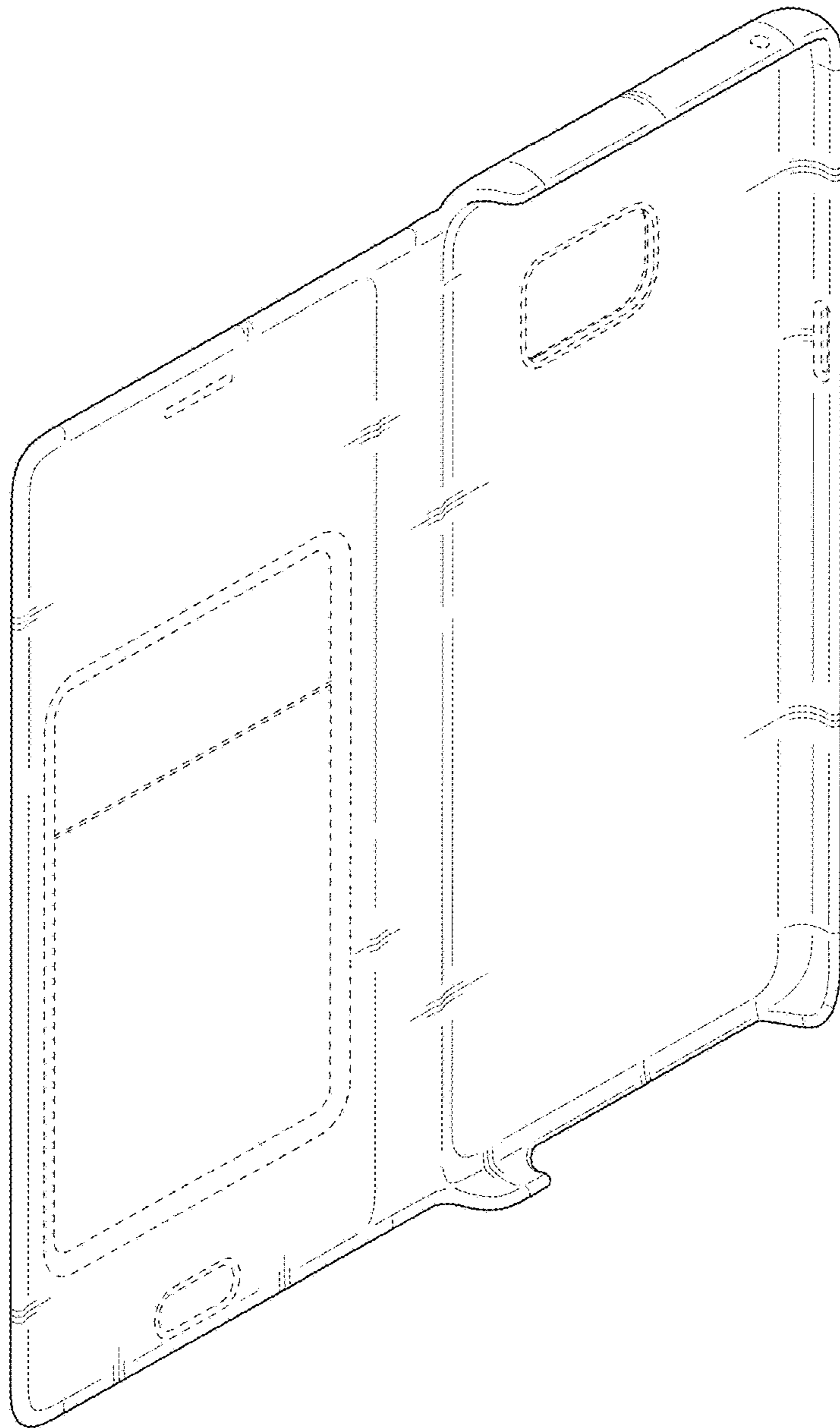




FIG. 9

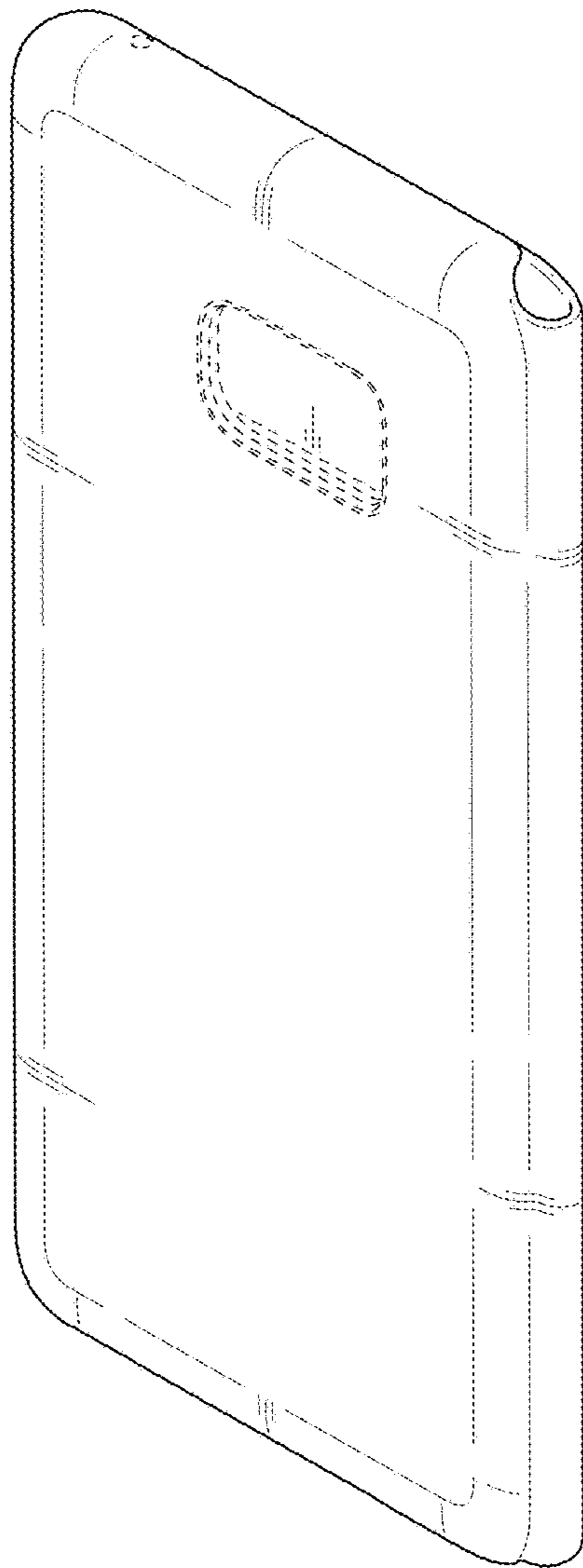


FIG. 10

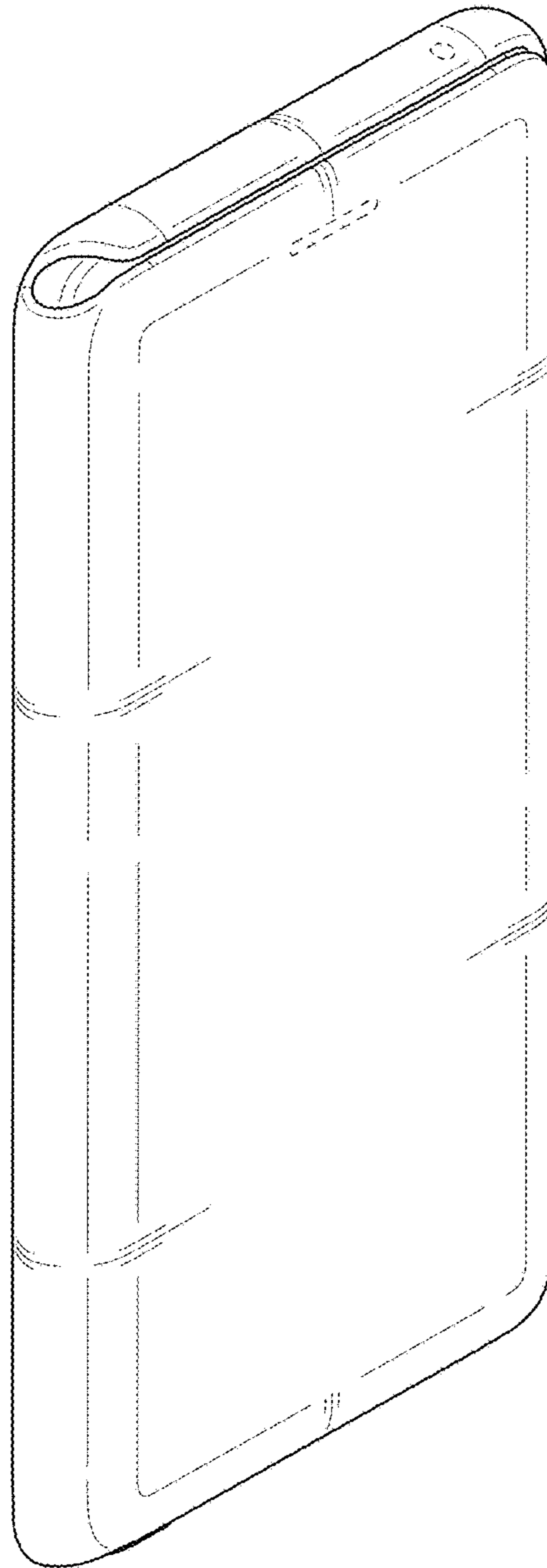


FIG. 11

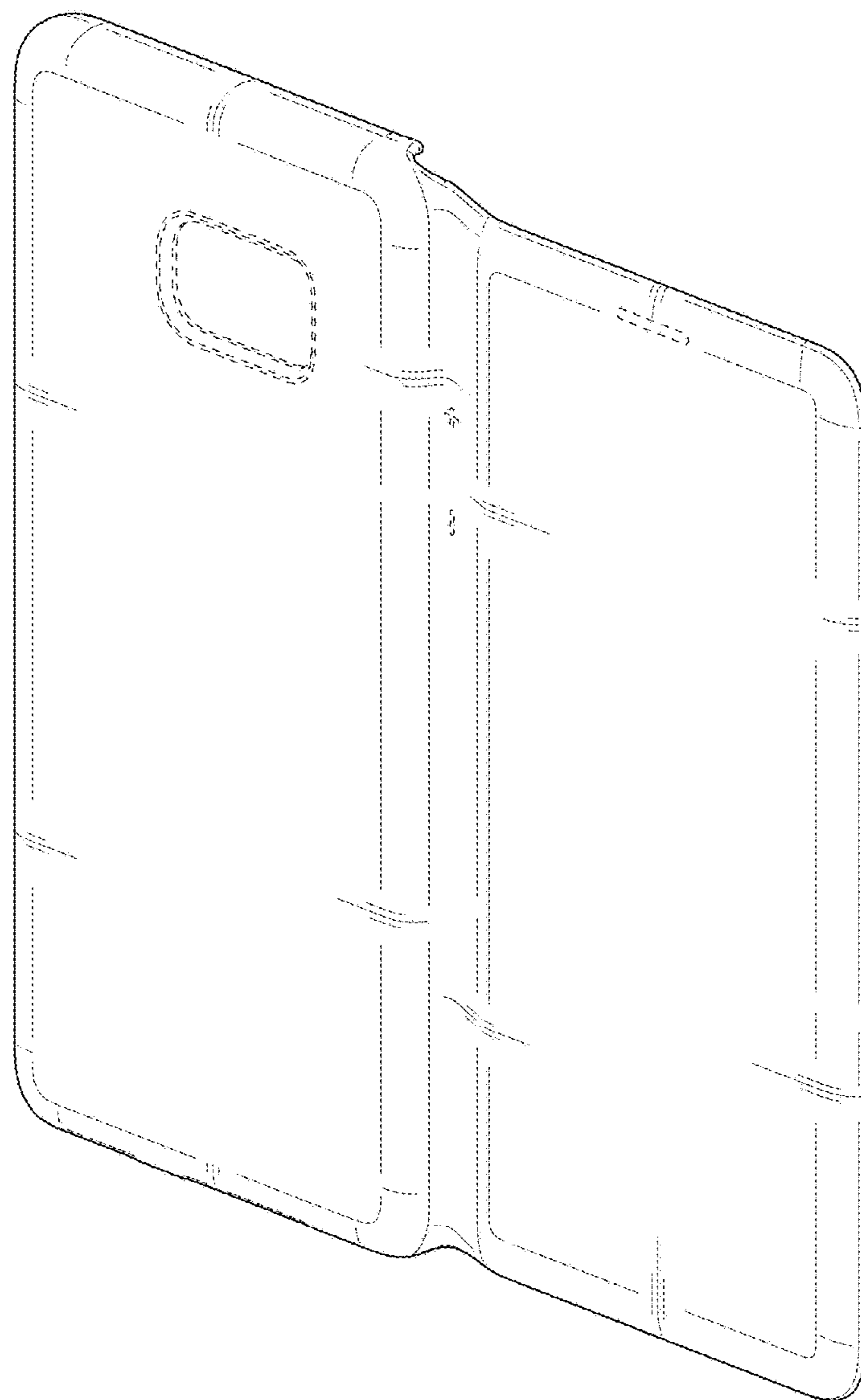


FIG. 12

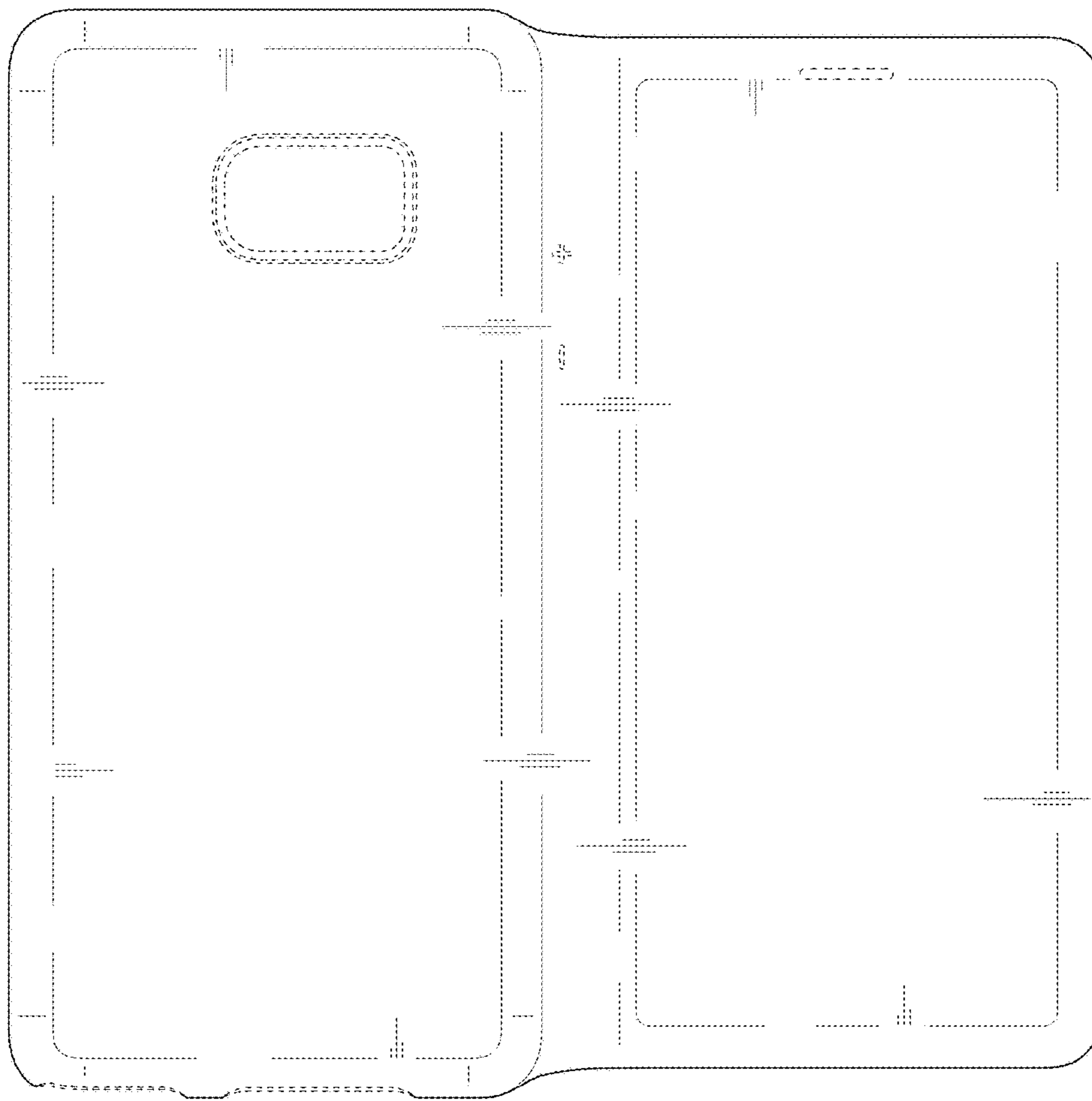


FIG. 13

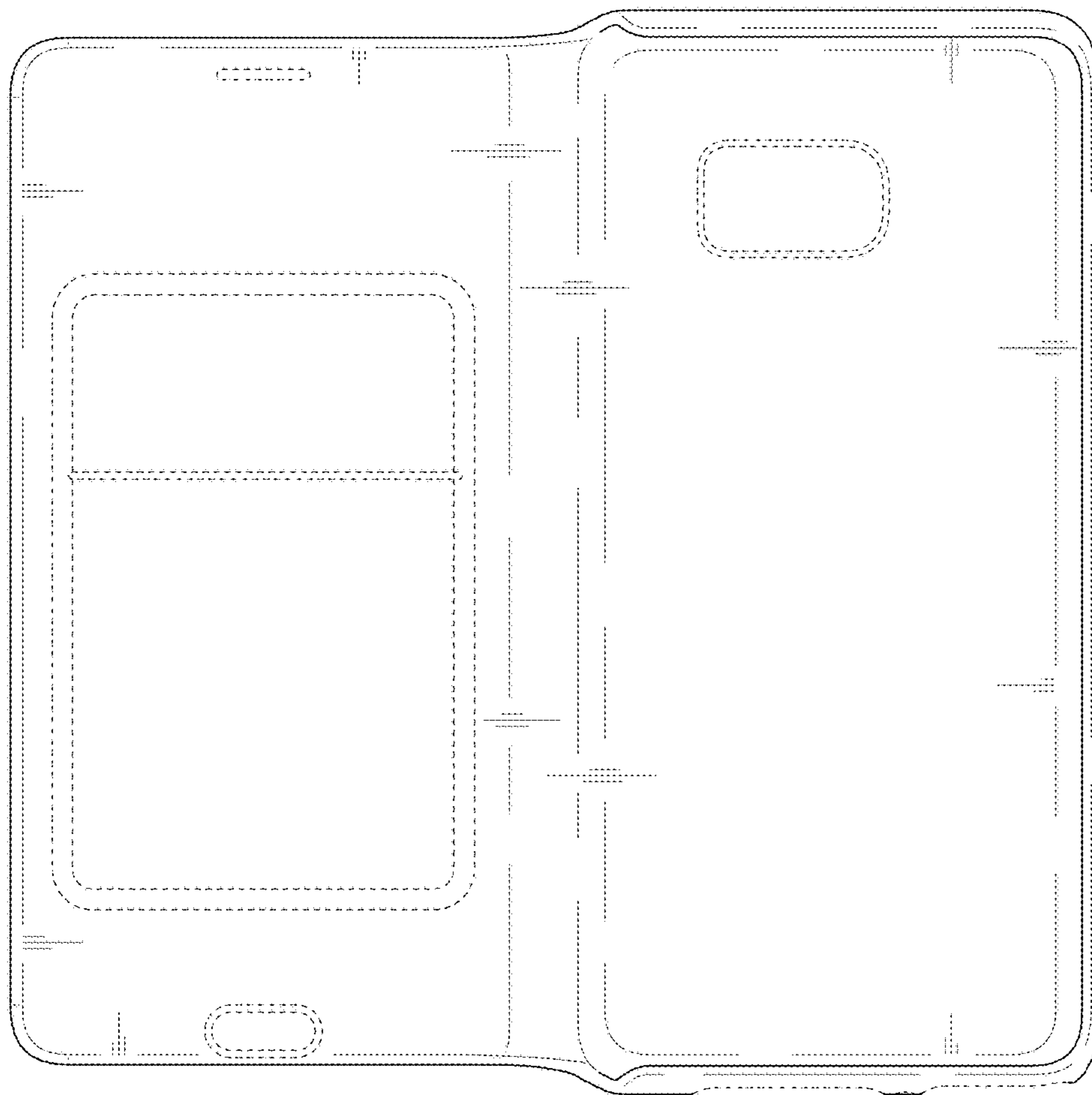


FIG. 14

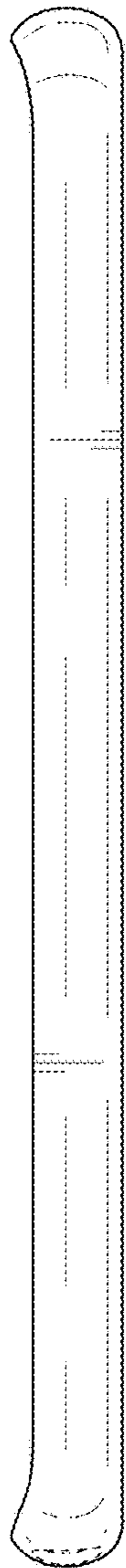


FIG. 15

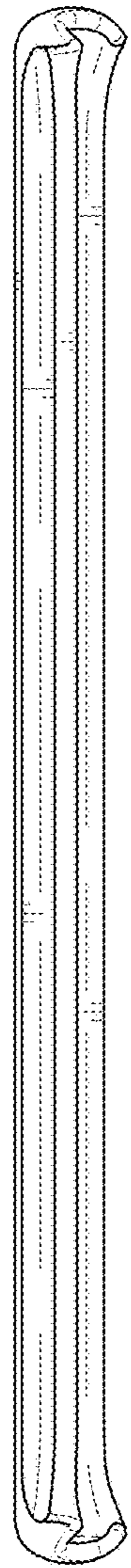




FIG. 16



FIG. 17



FIG. 18

