



US00D809491S

(12) **United States Design Patent** (10) **Patent No.:** **US D809,491 S**
Tinaphong et al. (45) **Date of Patent:** **** Feb. 6, 2018**

(54) **TELEVISION ANTENNA**

D306,862 S * 3/1990 Kent D14/230
D310,224 S 8/1990 Cooper D14/230
D332,262 S 1/1993 Borhardt D14/230

(71) Applicant: **VOXX International Corporation**,
Hauppauge, NY (US)

(Continued)

(72) Inventors: **Prapan Paul Tinaphong**, Carmel, IN
(US); **David A. Benedetti**, Carmel, IN
(US); **Chung Hua Hung**, Kaohsiung
Hsien (TW); **Kevin Kei Kwan Lee**,
Victoria (AU)

FOREIGN PATENT DOCUMENTS

CN 3021824 * 11/1993
CN 303409202 * 10/2015

(73) Assignee: **VOXX International Corporation**,
Hauppauge, NY (US)

OTHER PUBLICATIONS

AmazonSmile: TERK Trinity Trimodal HDTV Indoor Amplified
Antenna, review Oct. 2016, https://smile.amazon.com/Trinity-Trimodal-Indoor-Amplified-Antenna/dp/B01D0KIJRC/ref=cm_cr_ar_p_d_product_top?ie=UTF8, site visited Sep. 19, 2017.*

(Continued)

(**) Term: **15 Years**

Primary Examiner — John Windmuller
Assistant Examiner — John R Yeh

(21) Appl. No.: **29/602,632**

(74) *Attorney, Agent, or Firm* — Bodner & O'Rourke,
LLP; Gerald T. Bodner; Christian P. Bodner

(22) Filed: **May 2, 2017**

Related U.S. Application Data

(62) Division of application No. 29/545,301, filed on Nov.
11, 2015, now Pat. No. Des. 788,084.

(51) **LOC (11) Cl.** **14-03**

(57) **CLAIM**

(52) **U.S. Cl.**
USPC **D14/230**

The ornamental design for a television antenna, as shown
and described.

(58) **Field of Classification Search**
USPC D14/230
CPC .. G08B 13/2468; G08B 13/2431; H01Q 1/40;
H01Q 9/26

See application file for complete search history.

DESCRIPTION

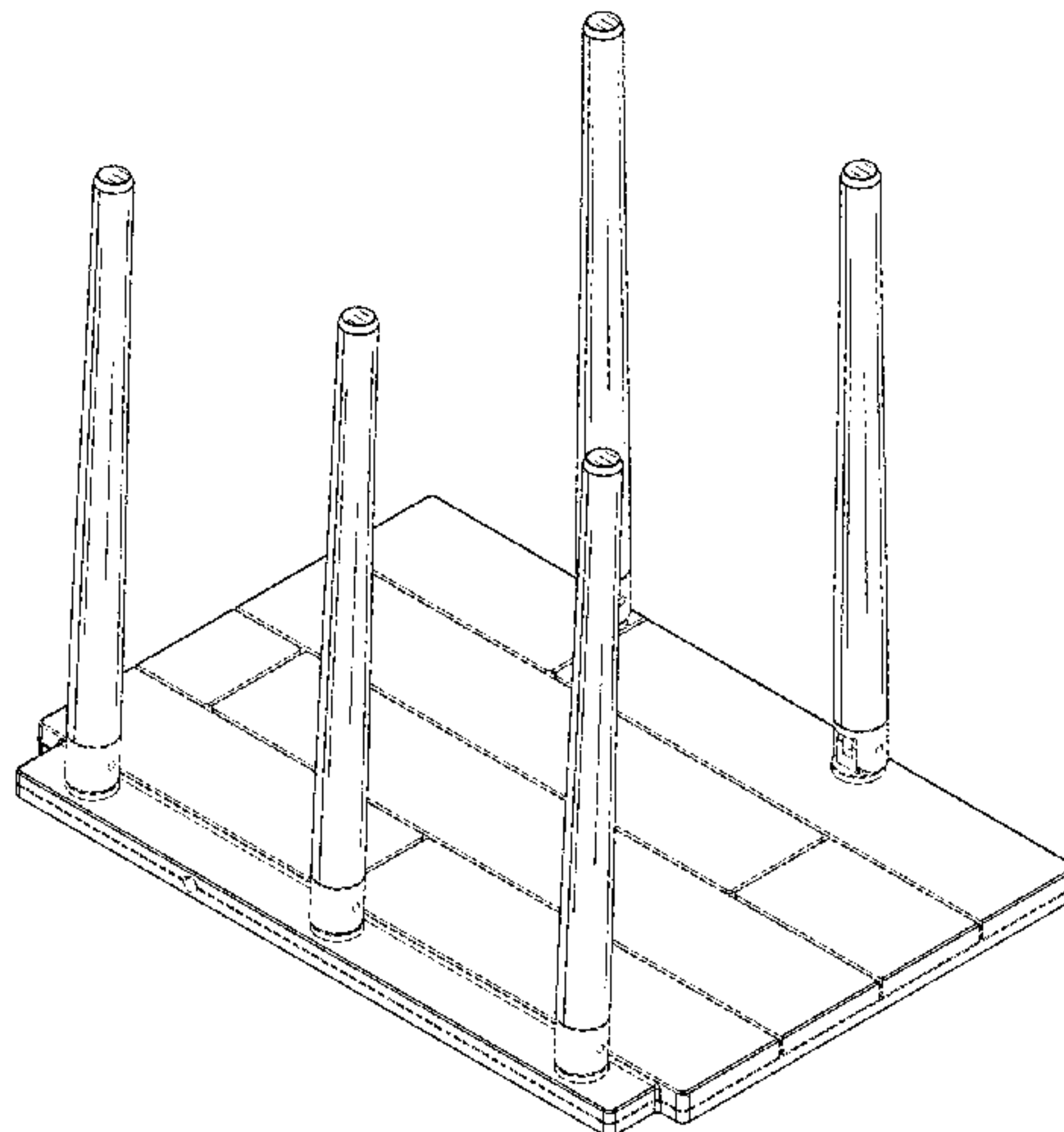
FIG. 1 is a top perspective view for a television antenna
showing our new design;
FIG. 2 is a bottom perspective view thereof;
FIG. 3 is a top plan view thereof;
FIG. 4 is a bottom plan view thereof;
FIG. 5 is a left elevational view thereof;
FIG. 6 is a right elevational view thereof;
FIG. 7 is a front elevational view thereof; and,
FIG. 8 is a rear elevational view thereof.
The broken lines in the drawings represent portions of the
television antenna that form no part of the claimed design.

(56) **References Cited**

U.S. PATENT DOCUMENTS

2,657,312 A * 10/1953 Saranga H01Q 7/00
333/33
2,700,105 A * 1/1955 Winegard H01Q 5/49
343/795
3,324,476 A * 6/1967 Smith, Jr. H01Q 7/00
343/743
3,478,361 A * 11/1969 Middlemark H01Q 1/24
343/730
D294,026 S 2/1988 Shinkawa D14/230

1 Claim, 8 Drawing Sheets



(56)

References Cited

U.S. PATENT DOCUMENTS

D345,982 S 4/1994 Lucey D14/230
 D347,010 S * 5/1994 Emmerling D14/230
 D371,560 S 7/1996 Fenton et al. D14/230
 D372,545 S 8/1996 Schultz D25/138
 D391,965 S * 3/1998 Kimura D14/230
 D391,966 S * 3/1998 Mischenko D14/230
 D414,777 S * 10/1999 Tsai 343/702
 D421,017 S 2/2000 Phipps D14/230
 D472,892 S 4/2003 Tourres D14/230
 D490,424 S 5/2004 Yamanashi D14/358
 D491,926 S 6/2004 Tai et al. D14/230
 7,006,053 B2 2/2006 Zigler et al. 343/878
 D517,535 S 3/2006 Wu D14/230
 D520,498 S * 5/2006 Lin D14/230
 D525,967 S * 8/2006 Hsiau D14/230
 D579,446 S 10/2008 Imano et al. D14/230
 D585,435 S * 1/2009 Wafer D14/230
 D596,177 S 7/2009 Steele et al. D14/358
 D598,577 S 8/2009 Li D25/138
 D637,837 S 5/2011 Kubota D25/138
 8,174,457 B1 5/2012 Lam 343/828
 D710,834 S 8/2014 Jeon et al. D14/230
 D712,568 S 9/2014 Canales D25/104
 D740,449 S 10/2015 Huang D25/151
 D748,079 S 1/2016 Dinsdale et al. D14/230
 D751,054 S 3/2016 Chou et al. D14/230
 D788,084 S * 5/2017 Tinaphong D14/230

2004/0239567 A1* 12/2004 Van Der Poel H01Q 9/0414
 343/700 MS
 2005/0259022 A1 11/2005 Wang 343/764
 2005/0259023 A1* 11/2005 Wang H01Q 7/00
 343/764
 2007/0285328 A1* 12/2007 Mariola H01Q 13/10
 343/767
 2008/0111761 A1* 5/2008 Kan H01Q 9/16
 343/873
 2012/0229358 A1* 9/2012 Doneker H01Q 1/526
 343/848
 2014/0266971 A1* 9/2014 Bedicks, Jr. H01Q 1/24
 343/888
 2014/0368400 A1 12/2014 Lin et al. 343/843
 2017/0133764 A1* 5/2017 Tinaphong H01Q 1/2291
 2017/0263997 A1* 9/2017 Daniel H01Q 1/08

OTHER PUBLICATIONS

AmazonSmile : TERK Trinity Xtend Amplified Indoor HDTV, reviews 2017, https://smile.amazon.com/Trinity-Amplified-Indoor-Antenna-Extender/dp/B01N7WFM4/ref=cm_cr_arp_d_product_top?ie=UTF8, site visited Sep. 19, 2017.*
 Amazon.com: Terk Trinity Trimodal HDTV Indoor Amplified Antenna, oldest review Nov. 23, 2016, <https://www.amazon.com/Trinity-Trimodal-Indoor-Amplified-Antenna/dp/B01D0-KIJRC/ref=cm.sub.--cr.sub.--arp.sub.--d.sub.--product.sub.--top?ie=UTF8> (no longer available) (copy not enclosed).

* cited by examiner

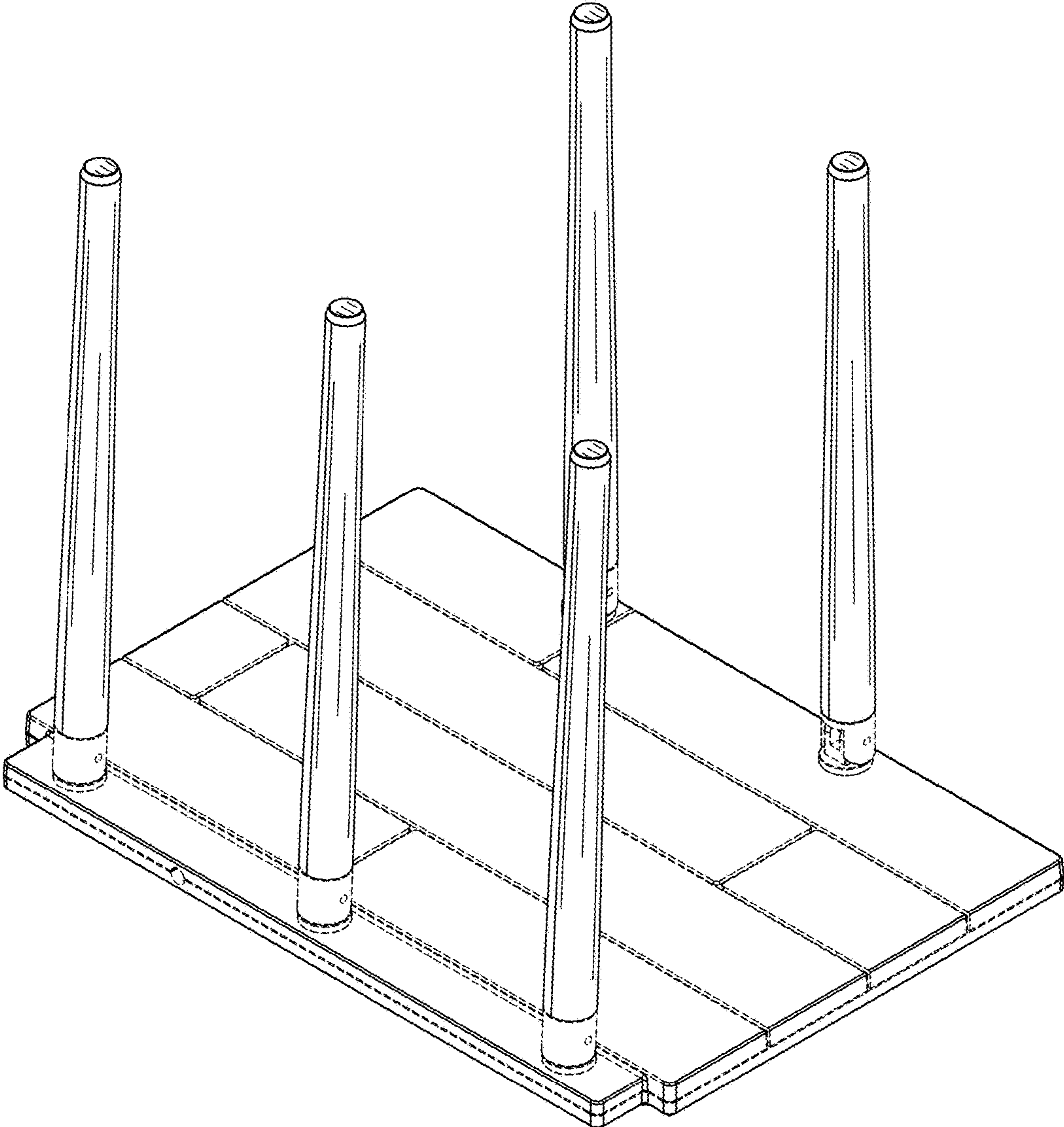


FIG. 1

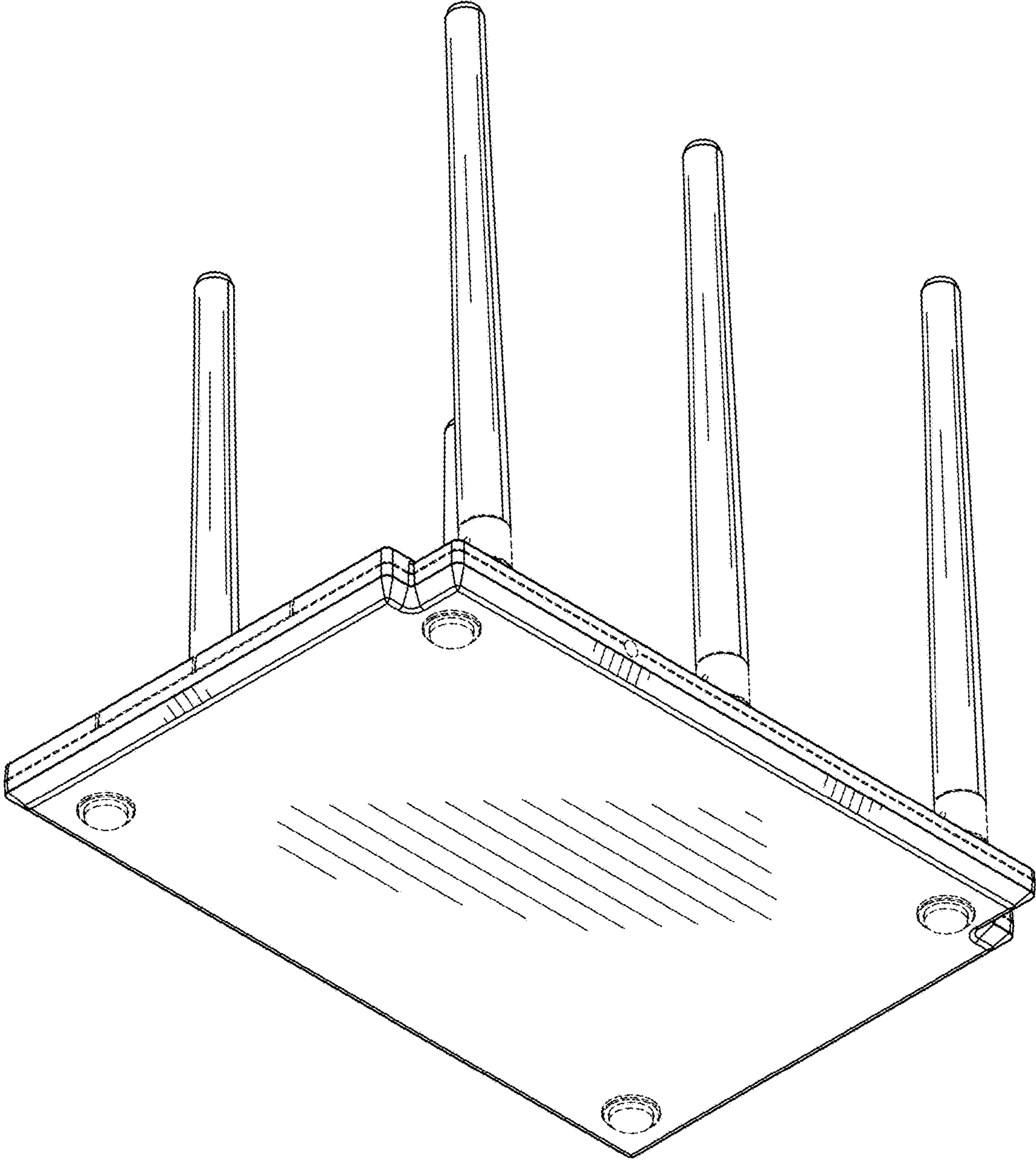


FIG. 2

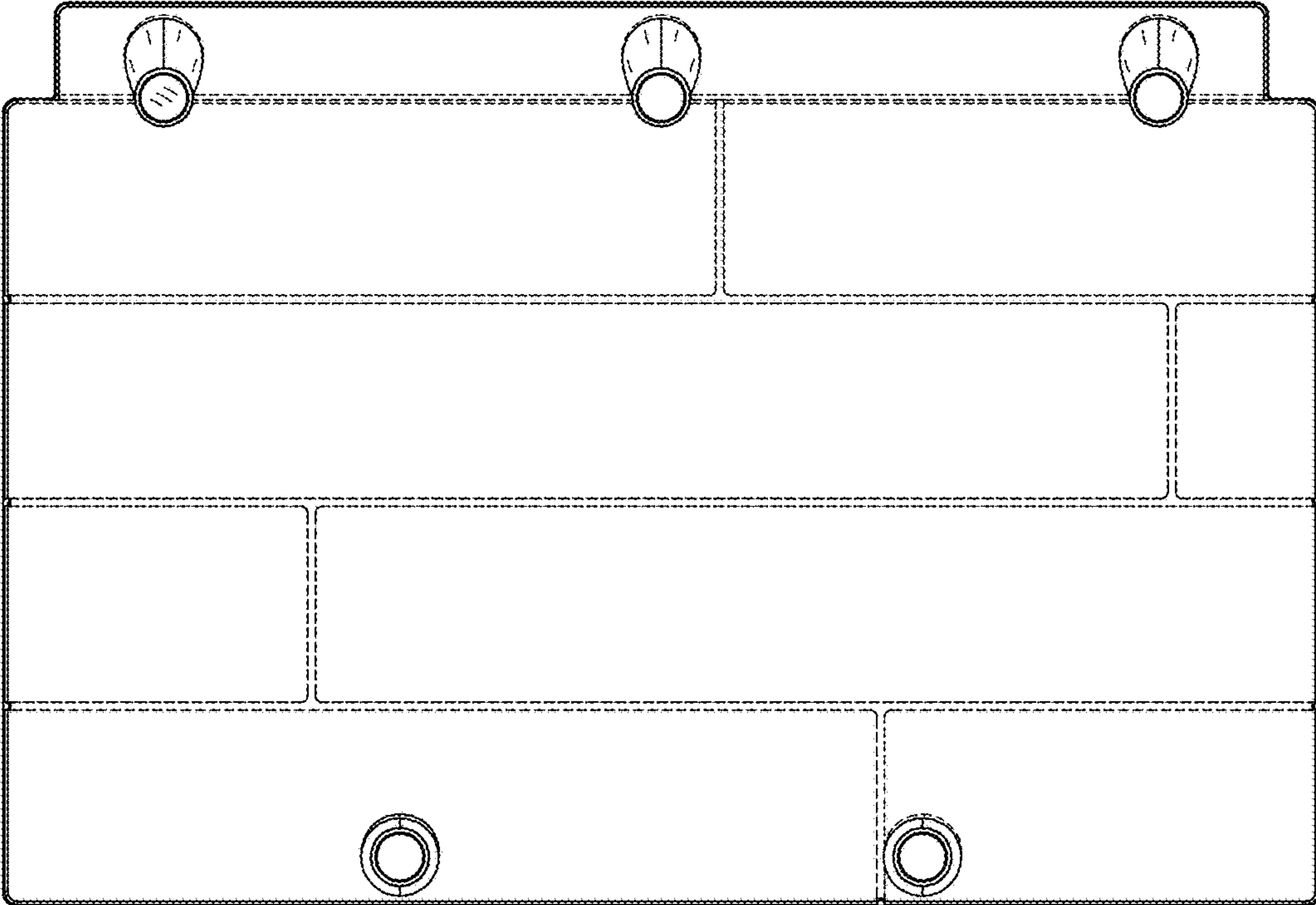


FIG. 3

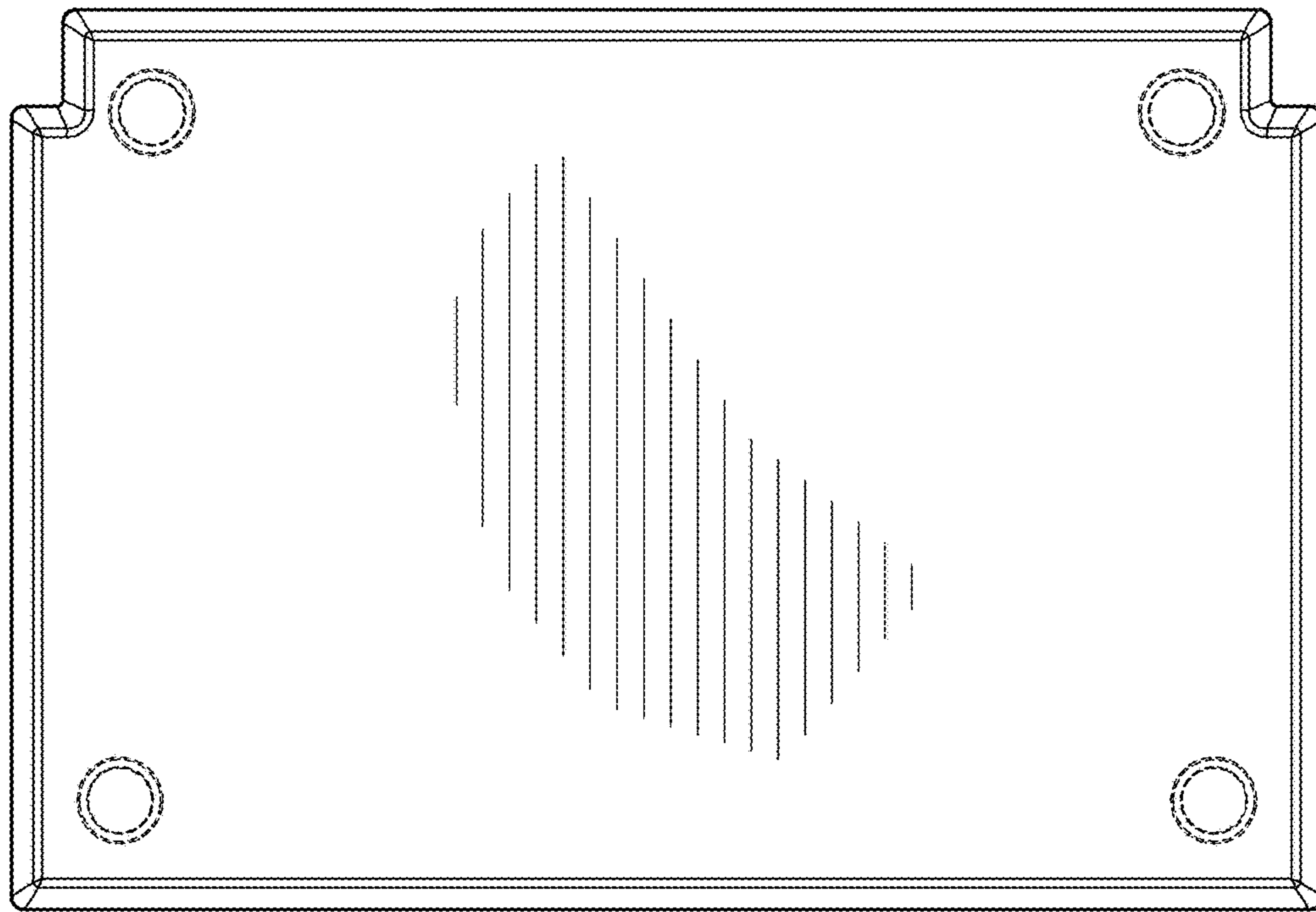


FIG. 4

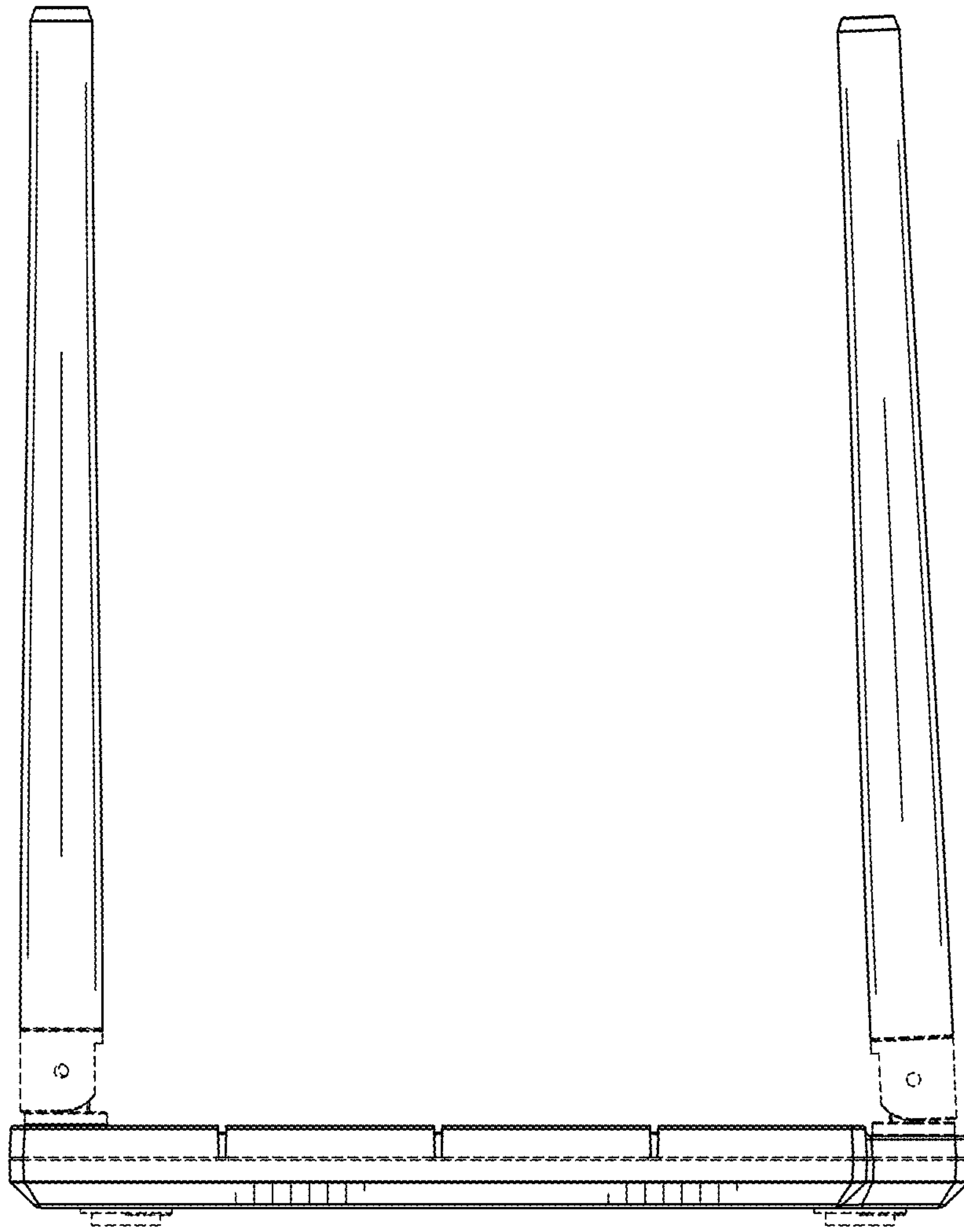


FIG. 5

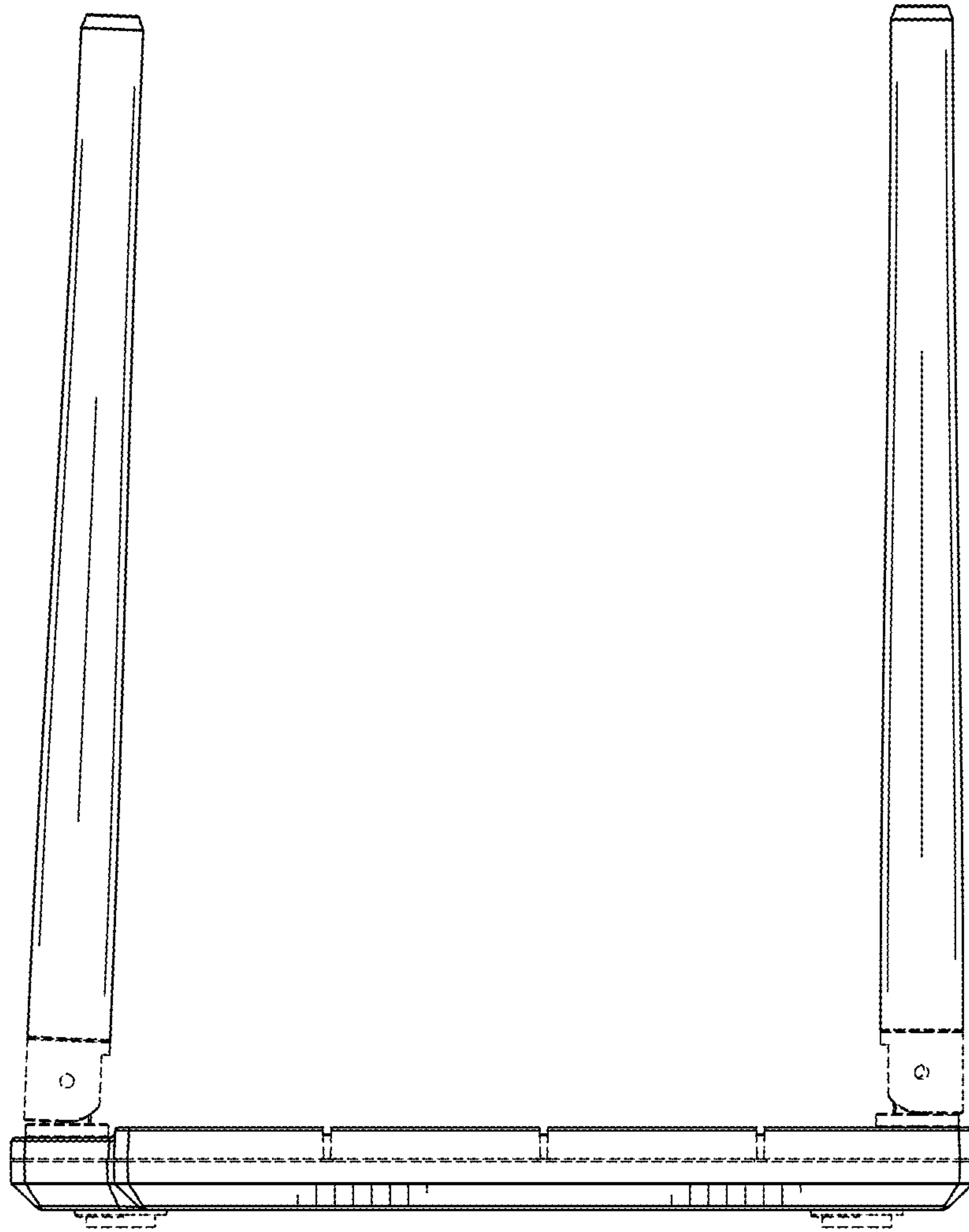


FIG. 6

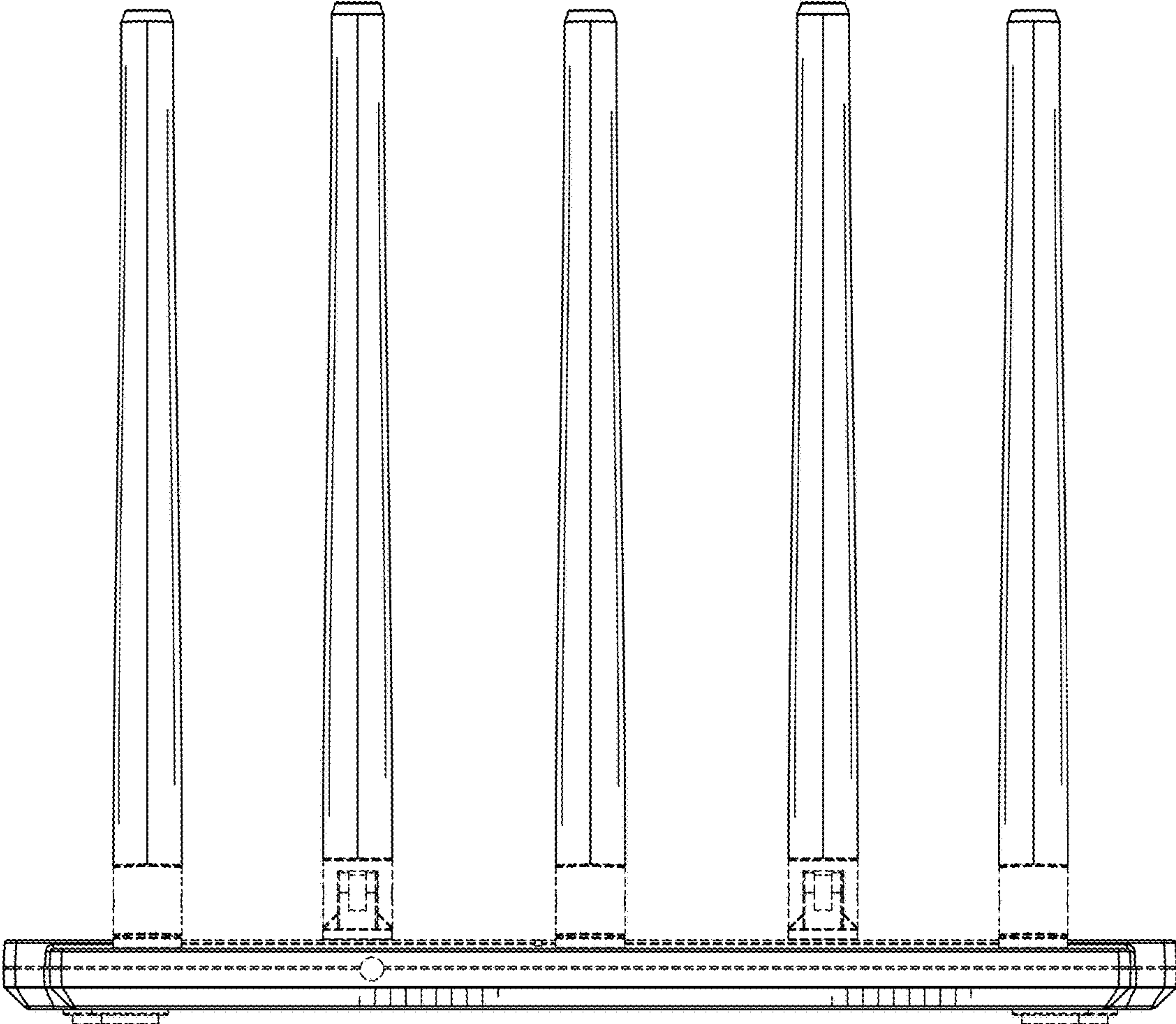


FIG. 7

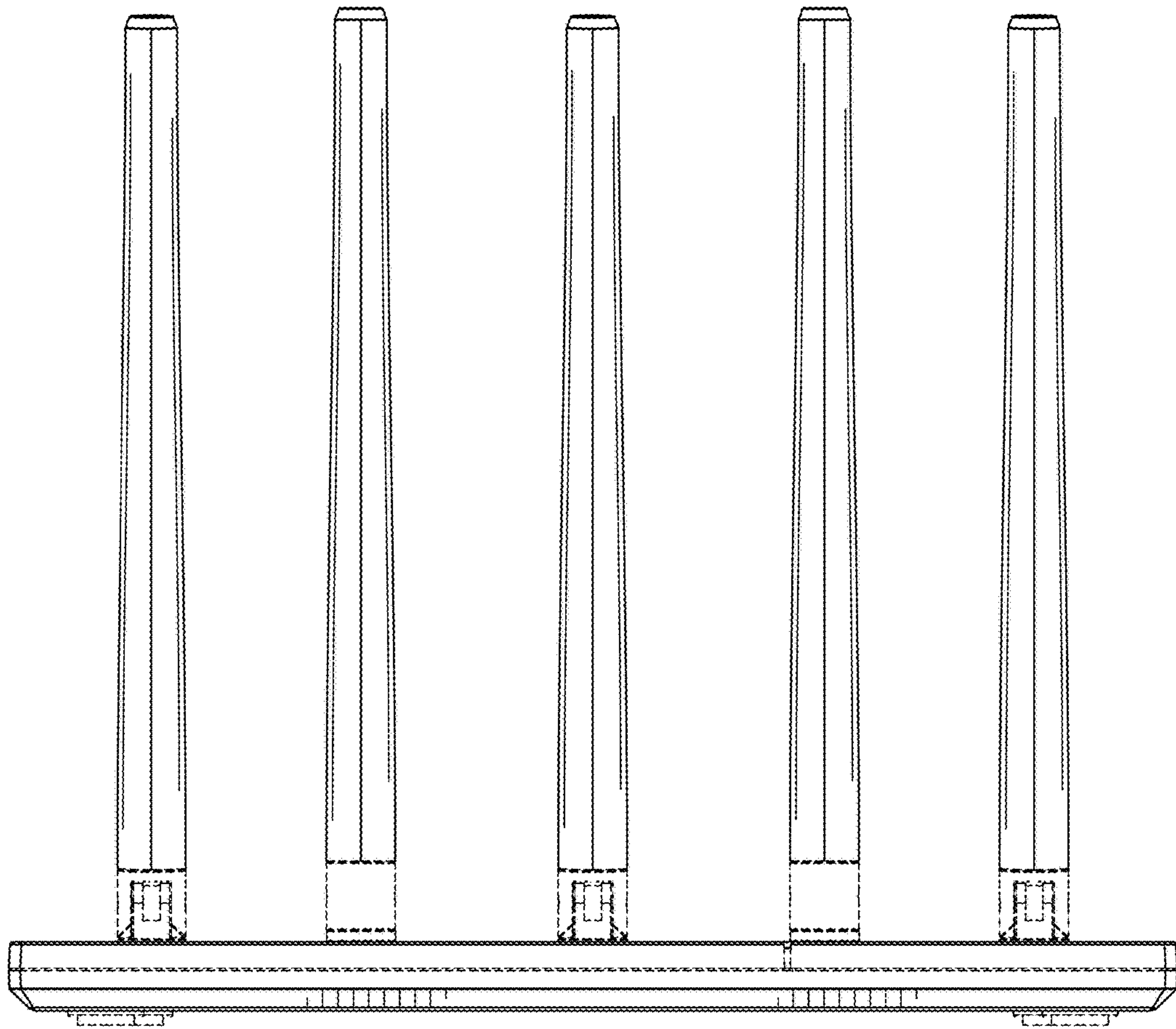


FIG. 8