



US00D809487S

(12) **United States Design Patent**
Lee et al.

(10) **Patent No.:** **US D809,487 S**
(45) **Date of Patent:** **** Feb. 6, 2018**

(54) **EARPHONE**
(71) Applicant: **Samsung Electronics Co., Ltd.**,
Suwon-si (KR)
(72) Inventors: **Kieon Lee**, Seoul (KR); **James Chung**,
Gwacheon-si (KR); **Junghyuck Im**,
Yongin-si (KR)
(73) Assignee: **Samsung Electronics Co., Ltd.**,
Suwon-si (KR)
(**) Term: **15 Years**

4,457,396 A * 7/1984 James H04R 1/1058
181/129
4,539,708 A * 9/1985 Norris H04B 1/088
455/100
4,672,672 A * 6/1987 Eggert H04R 25/60
381/321
D443,261 S * 6/2001 Yuyama D14/223
D470,129 S * 2/2003 Hlas D14/205
6,728,388 B1 * 4/2004 Nageno H04R 1/105
381/330
D505,411 S * 5/2005 Sakai D14/192
D508,479 S * 8/2005 Okada D14/206
D508,911 S * 8/2005 Sanders D14/223
D519,108 S * 4/2006 Yang D14/223
(Continued)

(21) Appl. No.: **29/580,802**
(22) Filed: **Oct. 13, 2016**
(30) **Foreign Application Priority Data**
Jun. 30, 2016 (KR) 30-2016-0031926
(51) **LOC (11) Cl.** **14-01**
(52) **U.S. Cl.**
USPC **D14/223**
(58) **Field of Classification Search**
USPC D14/223, 205; D24/174; 128/864, 865,
128/866; 181/128, 129, 130; 379/430,
379/431; 381/380, 381, 374, 375, 378;
455/90.3, 575.1, 569.1
CPC H04R 1/10; H04R 25/00; H04R 25/02;
H04R 5/033; H04R 5/0335; H04R
1/1066; H04R 1/1016
See application file for complete search history.

FOREIGN PATENT DOCUMENTS

EM 002053983-0001 6/2012
KR 30-2012-0026009 1/2014

Primary Examiner — Paula Allen Greene
(74) *Attorney, Agent, or Firm* — NSIP Law

(57) **CLAIM**

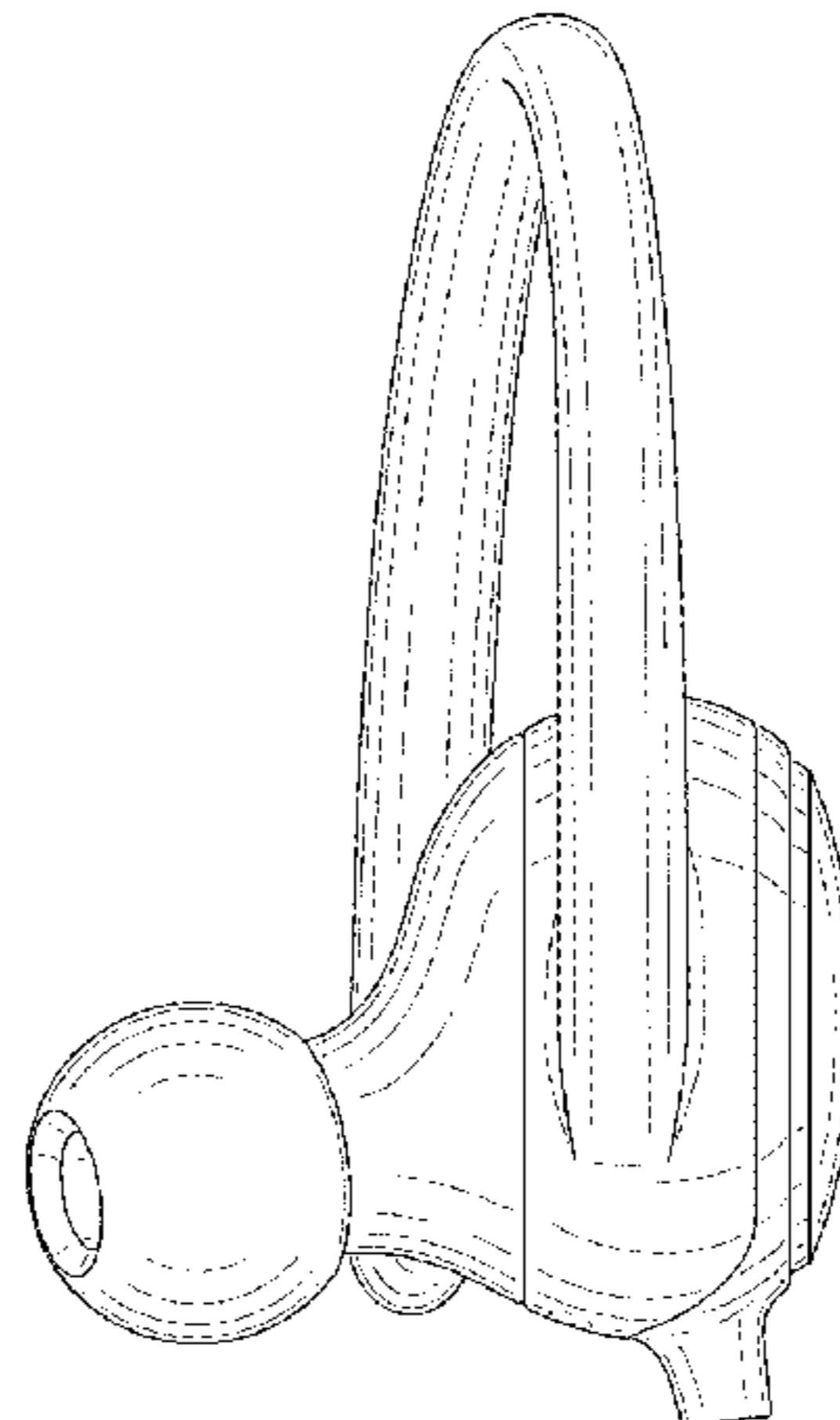
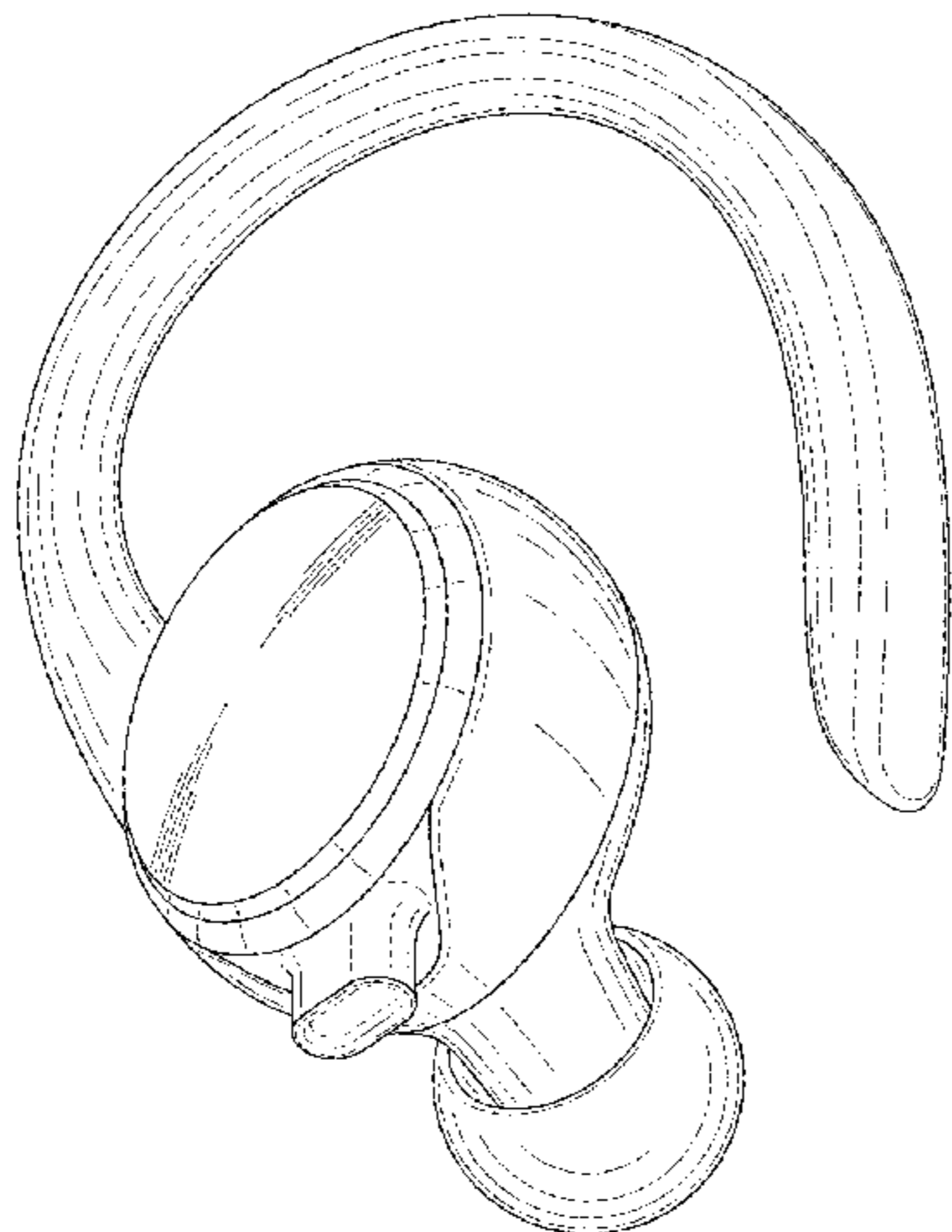
We claim the ornamental design for an earphone, as shown and described.

DESCRIPTION

FIG. 1 is a front perspective view of an earphone showing our new design;
FIG. 2 is a front view thereof;
FIG. 3 is a rear view thereof;
FIG. 4 is a left-side view thereof;
FIG. 5 is a right-side view thereof;
FIG. 6 is a top view thereof;
FIG. 7 is a bottom view thereof; and,
FIG. 8 is a front perspective view of the earphone shown in an example environment.
The broken lines in the figures depict environmental subject matter and form no part of the claimed design.

1 Claim, 7 Drawing Sheets

(56) **References Cited**
U.S. PATENT DOCUMENTS
2,474,135 A * 6/1949 White H04R 25/656
381/330
2,501,107 A * 3/1950 Volkmann H04R 5/0335
381/374
2,910,679 A * 10/1959 Baldwin B60K 28/06
200/61.47



(56)

References Cited

U.S. PATENT DOCUMENTS

D529,901 S * 10/2006 Ohta D14/223
 D542,282 S * 5/2007 Yoshiyama D14/223
 D543,968 S * 6/2007 Wong D14/205
 D543,972 S * 6/2007 Taylor D14/223
 D554,627 S * 11/2007 Gondo D14/223
 D567,217 S * 4/2008 Kamo D14/205
 7,356,362 B2 * 4/2008 Chang H04R 1/1033
 379/430
 D569,841 S * 5/2008 Chung D14/205
 D572,703 S * 7/2008 Ledbetter D14/205
 D574,814 S * 8/2008 Hammond D14/205
 D593,075 S * 5/2009 Williams D14/223
 D594,441 S * 6/2009 Lee D14/205
 D599,778 S * 9/2009 Ando D14/205
 D603,380 S * 11/2009 Hutchieson D14/223
 D605,182 S * 12/2009 Fagnot D14/223
 D626,117 S * 10/2010 Lowry D14/223
 D632,677 S * 2/2011 Brown D14/223
 D635,678 S * 4/2011 Laperle D24/174
 D642,163 S * 7/2011 Lee D14/223
 D652,817 S * 1/2012 Lee D14/205
 D654,056 S * 2/2012 Hoggarth D14/205
 D660,290 S * 5/2012 Weedon D14/223
 D666,581 S * 9/2012 Perez D14/223
 D674,904 S * 1/2013 Aunio D14/223
 8,391,536 B2 * 3/2013 Hashimoto H04R 1/1016
 381/370

D680,102 S * 4/2013 Chen D14/223
 D698,761 S * 2/2014 Bao D14/223
 D699,226 S * 2/2014 Yoon D14/206
 D711,356 S * 8/2014 Yang D14/223
 D713,385 S * 9/2014 Burgett D14/223
 8,831,266 B1 * 9/2014 Huang H04R 1/1091
 381/370
 D716,272 S * 10/2014 Yang D14/223
 D718,744 S * 12/2014 Thompson D14/223
 D719,548 S * 12/2014 Thompson D14/223
 D746,792 S * 1/2016 Kim D14/205
 D751,530 S * 3/2016 Kolton D14/205
 D771,011 S * 11/2016 Ott D14/205
 D773,435 S * 12/2016 Ott D14/205
 D777,710 S * 1/2017 Palmborg D14/223
 D784,962 S * 4/2017 Yang D14/223
 D788,079 S * 5/2017 Son D14/223
 D795,225 S * 8/2017 Sumii D14/223
 2007/0098201 A1 * 5/2007 Chen H04R 1/1016
 381/380
 2008/0152183 A1 * 6/2008 Janik H04M 1/05
 381/375
 2011/0293130 A1 * 12/2011 Huang H04R 1/1016
 381/380
 2013/0010997 A1 * 1/2013 Tanaka A61B 5/01
 381/380
 2013/0170692 A1 * 7/2013 Kaneko H04R 1/1016
 381/380

* cited by examiner

FIG. 1

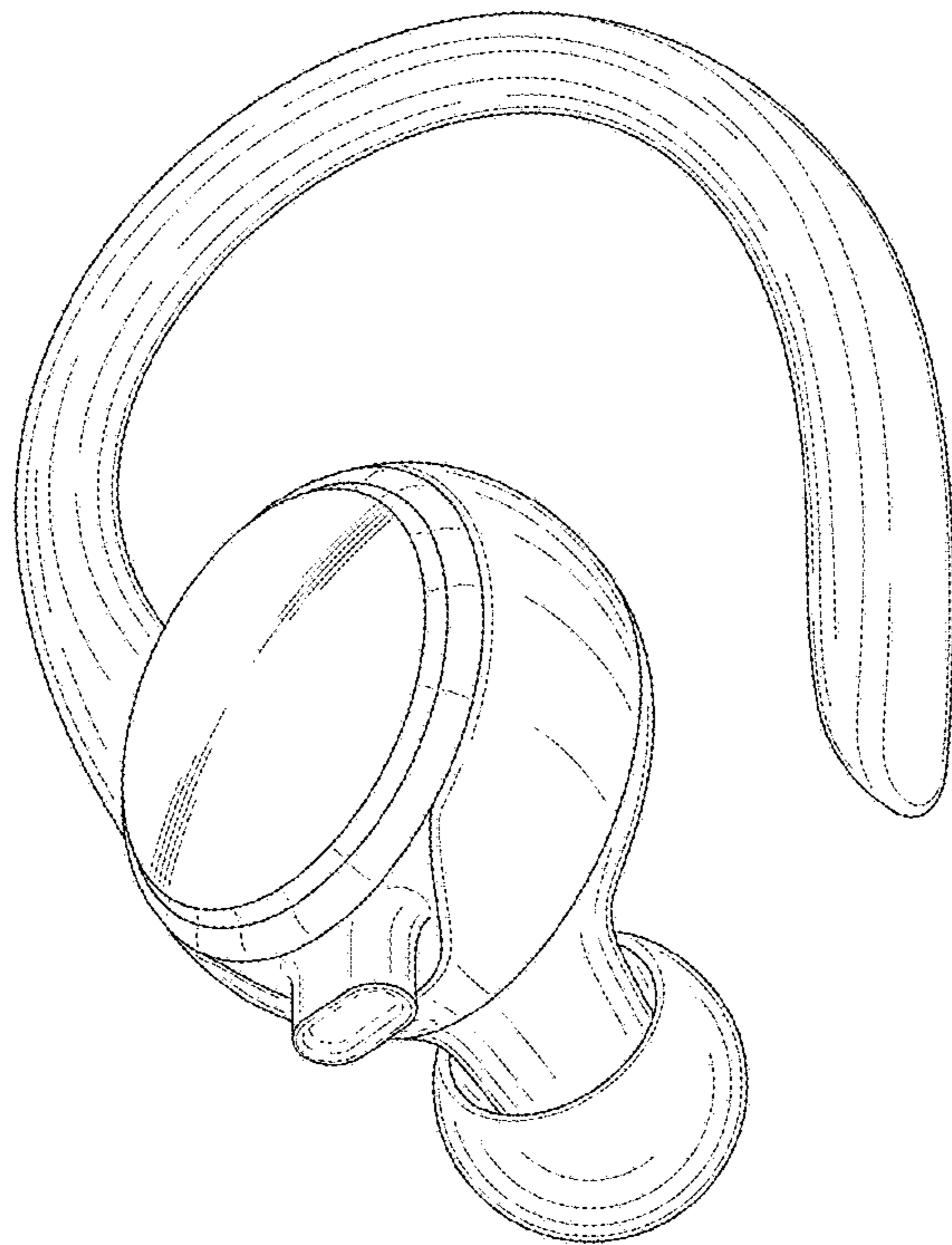


FIG. 2

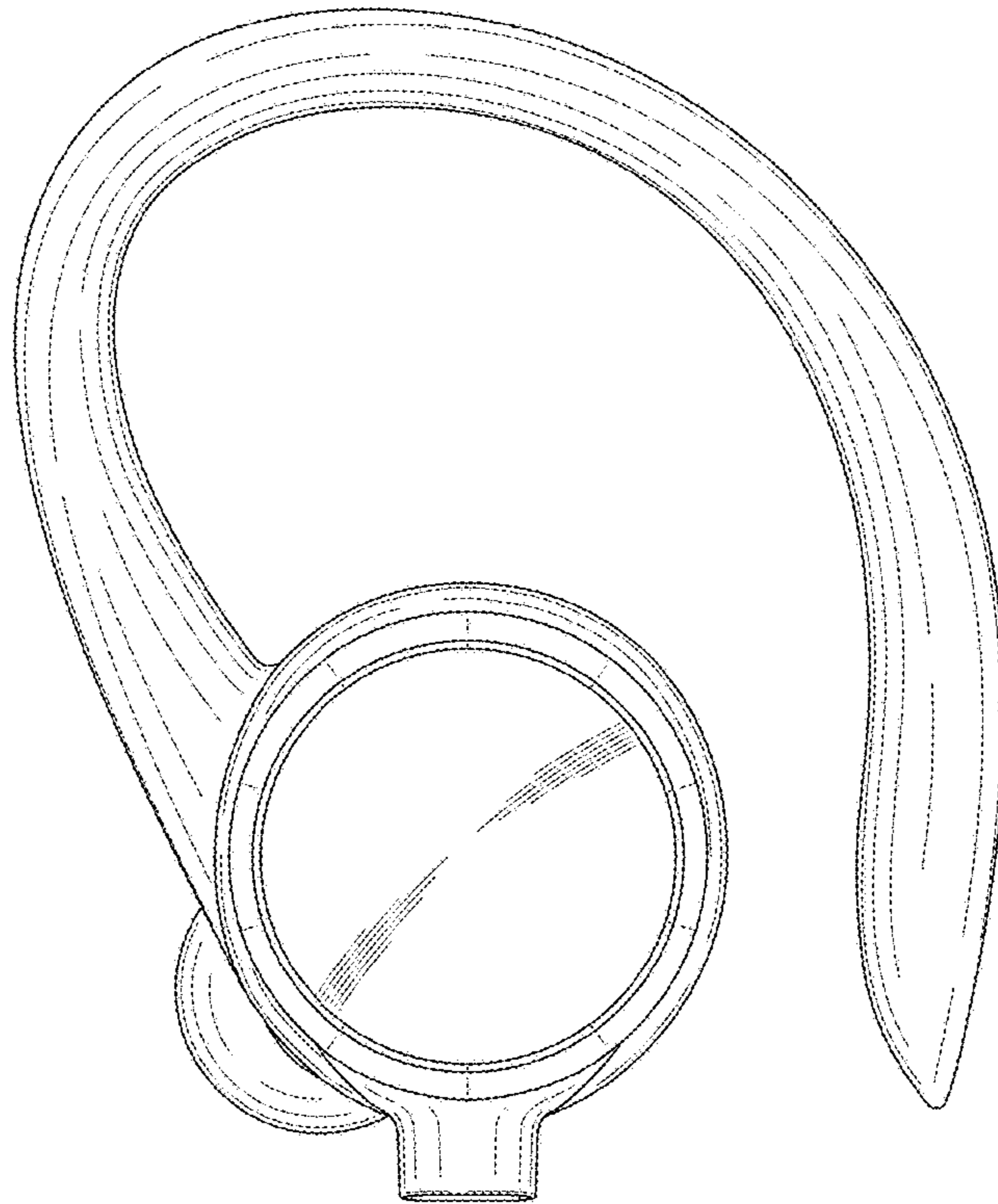


FIG. 3

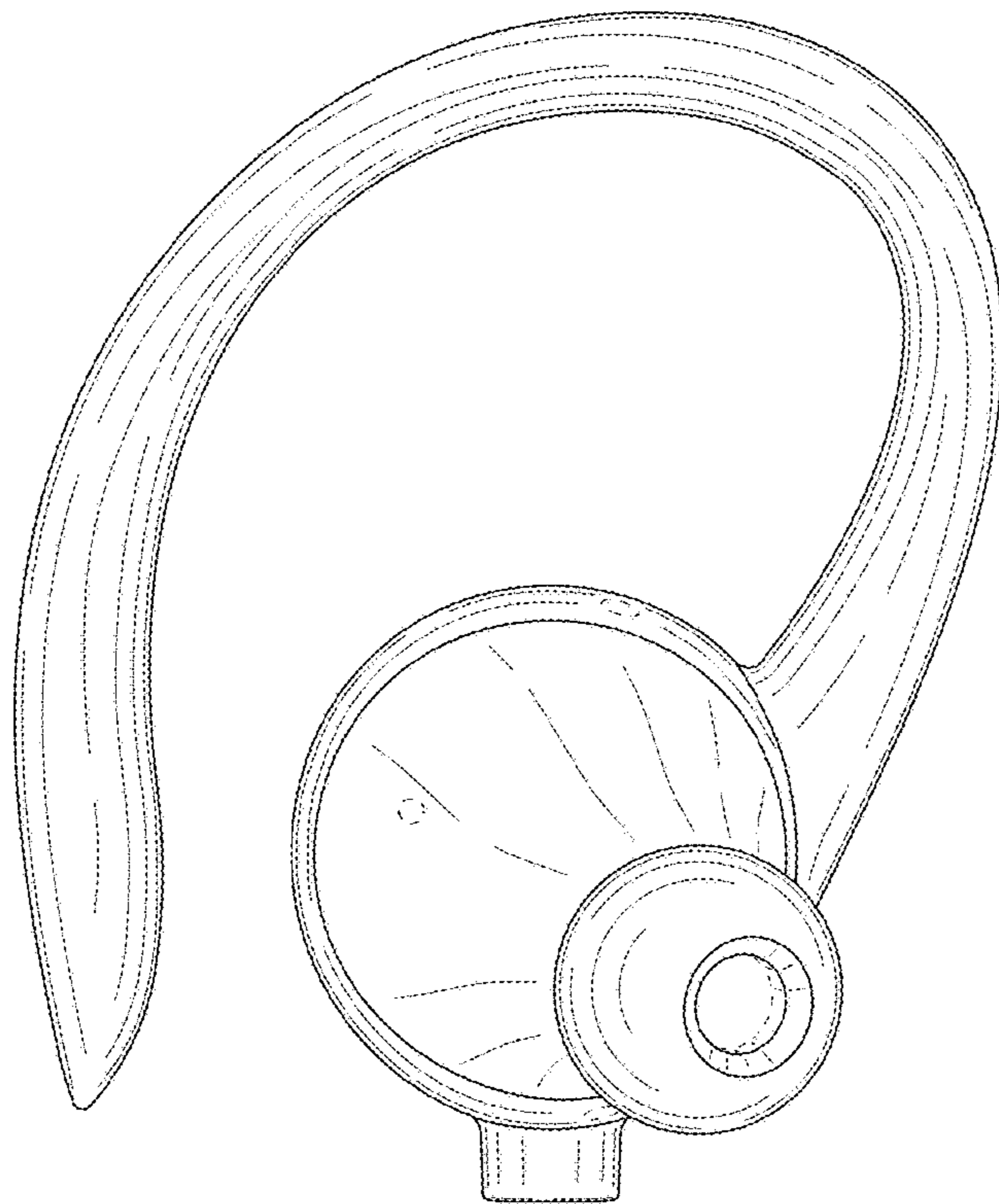


FIG. 4

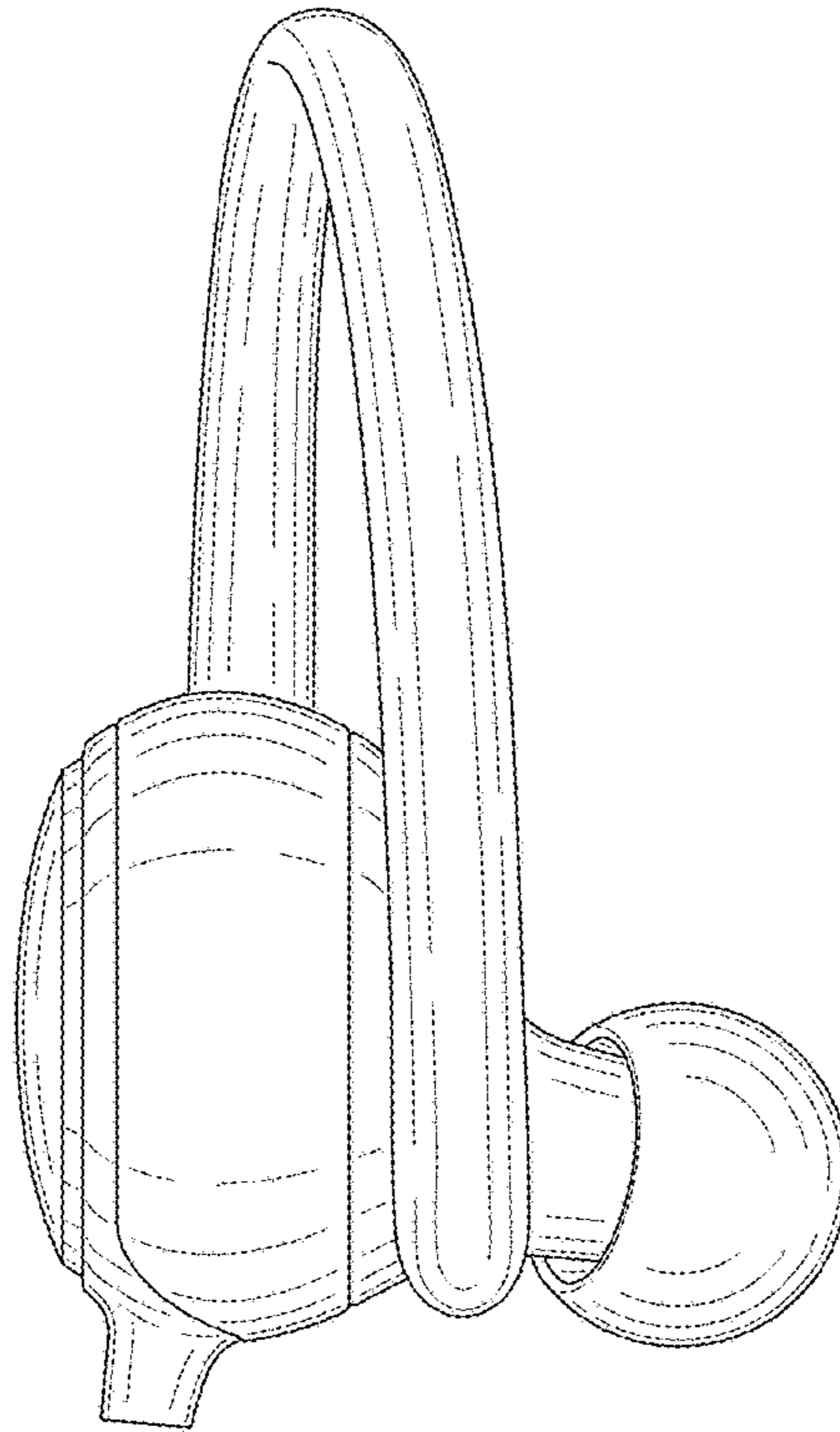


FIG. 5

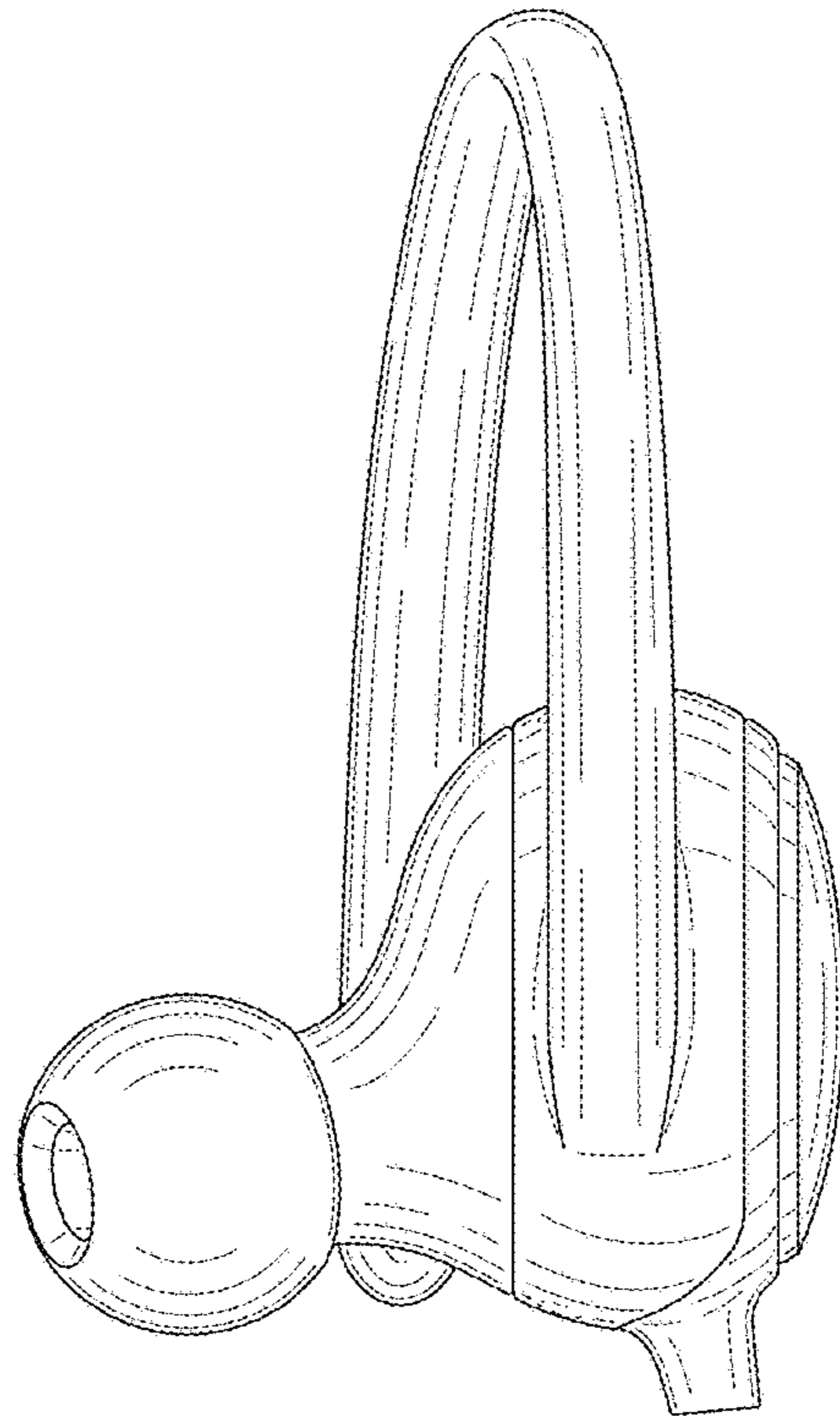


FIG. 6

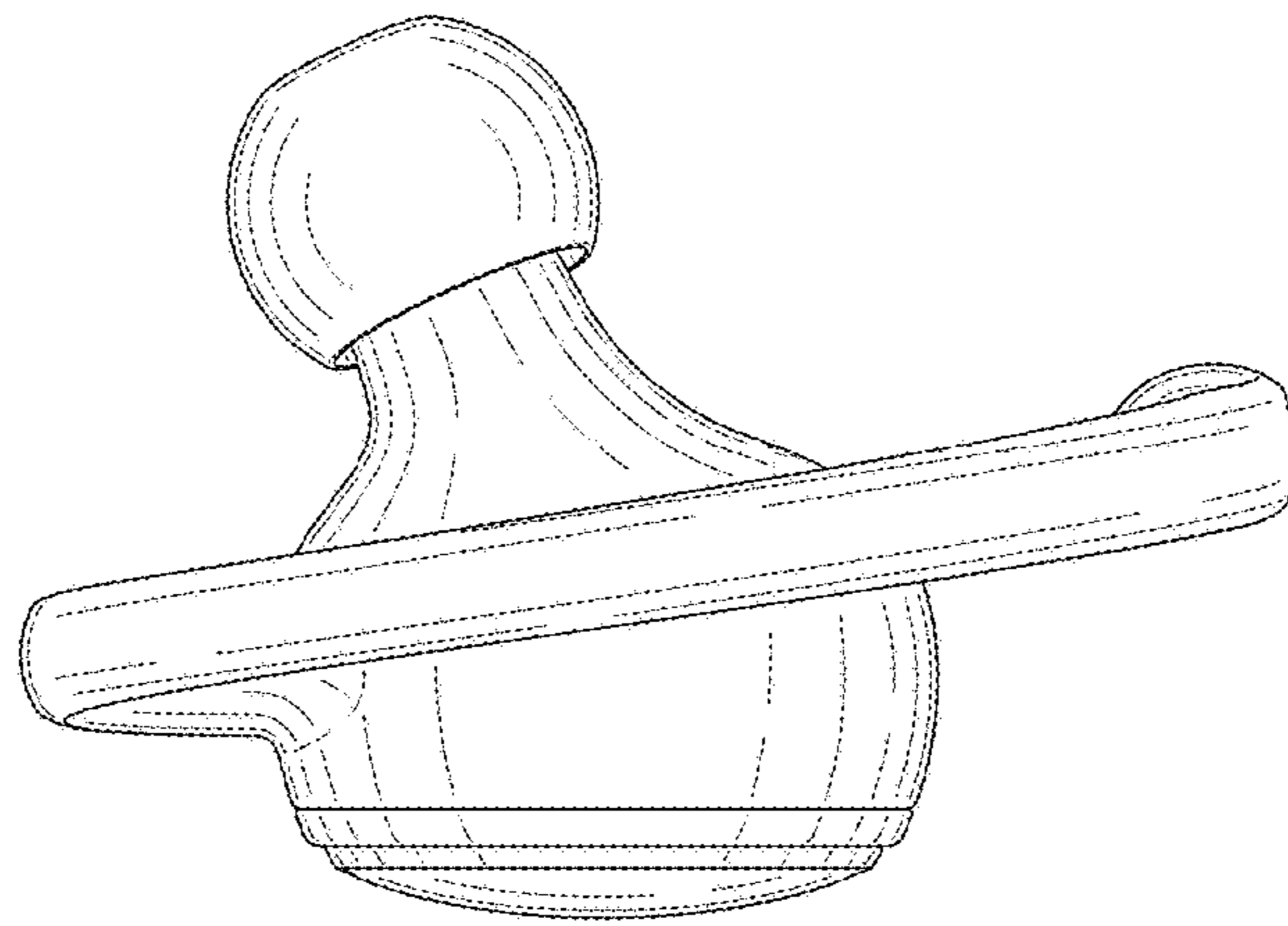


FIG. 7

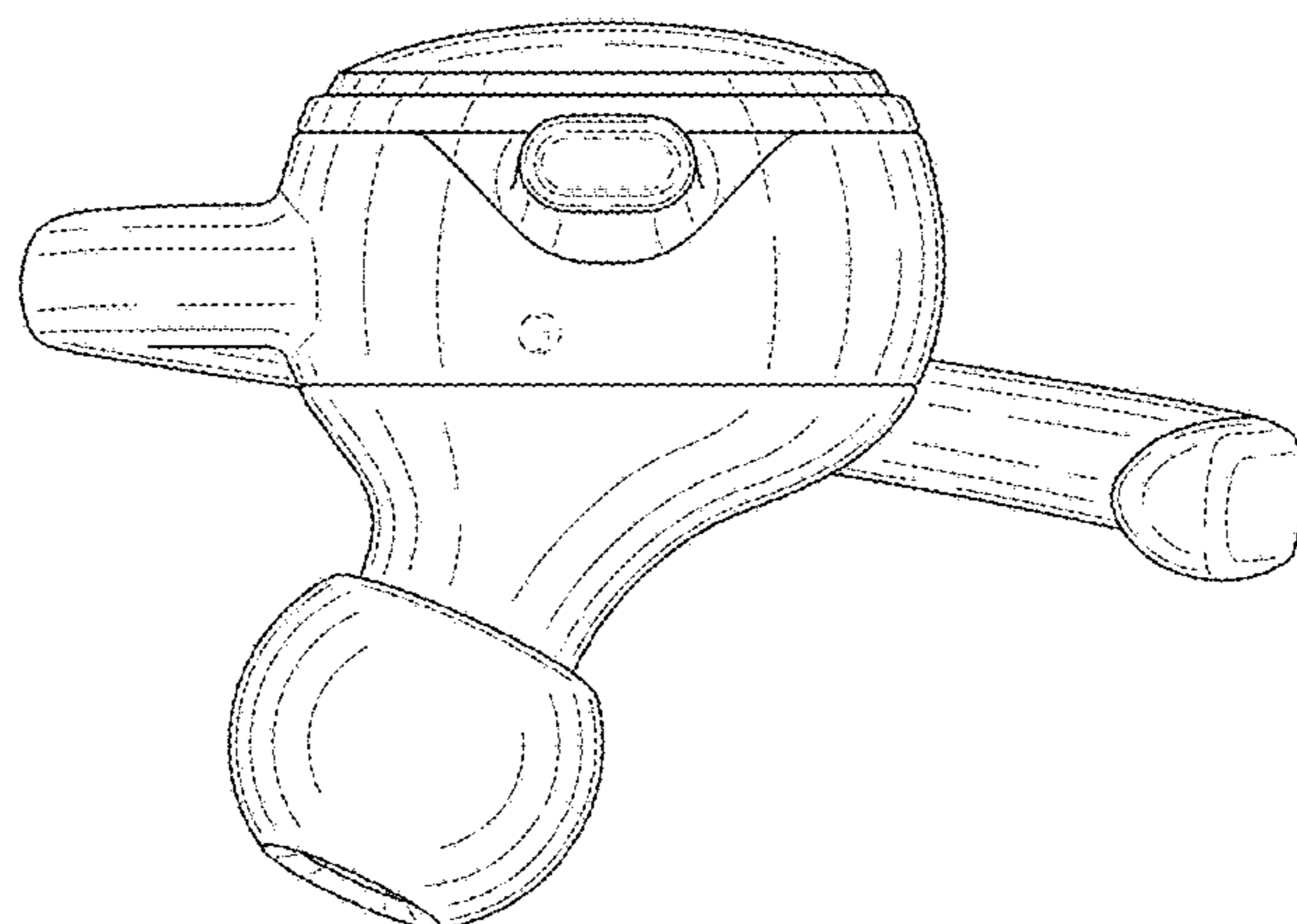


FIG. 8

