



US00D809486S

(12) **United States Design Patent**
Arimoto

(10) **Patent No.:** **US D809,486 S**

(45) **Date of Patent:** **** Feb. 6, 2018**

- (54) **EARPHONE**
- (71) Applicant: **JVC KENWOOD Corporation**,
Yokohama-shi, Kanagawa (JP)
- (72) Inventor: **Takuya Arimoto**, Tokyo (JP)
- (73) Assignee: **JVC Kenwood Corporation**,
Yokohama-Shi, Kanagawa (JP)

(**) Term: **15 Years**

(21) Appl. No.: **29/569,060**

(22) Filed: **Jun. 23, 2016**

(30) **Foreign Application Priority Data**

Mar. 30, 2016 (JP) D2016-007135

(51) **LOC (11) Cl.** **14-01**

(52) **U.S. Cl.**
USPC **D14/223**

(58) **Field of Classification Search**
USPC D14/223, 205; D24/174; 181/129, 130,
181/135; 379/430, 431; 381/315, 330,
381/380, 381, 370, 374, 375; 455/90.3,
455/575.1

CPC H04R 1/105; H04R 1/10; H04R 25/00;
H04R 1/1066; H04R 1/1016

See application file for complete search history.

(56) **References Cited**

U.S. PATENT DOCUMENTS

- 2,474,135 A * 6/1949 White H04R 25/656
381/330
- D179,150 S * 11/1956 Norris D14/192
- 4,791,673 A * 12/1988 Schreiber H04R 1/1075
381/151
- 5,412,736 A * 5/1995 Keliiliki H04R 1/105
381/330

- 5,625,171 A * 4/1997 Marshall H04R 1/1058
181/130
- 5,729,615 A * 3/1998 Yang H04R 1/1066
181/129
- D419,564 S * 1/2000 McDonald D14/223
- D468,721 S * 1/2003 Nguyen D14/205
- D469,422 S * 1/2003 Nguyen D14/205
- D470,129 S * 2/2003 Hlas D14/205
- 6,772,853 B2 * 8/2004 Yang H04R 1/1066
181/129
- D504,673 S * 5/2005 Dyer D14/205
- D506,462 S * 6/2005 Han D14/205
- D512,984 S * 12/2005 Ham D14/205
- D521,492 S * 5/2006 Ham D14/205
- D535,975 S * 1/2007 Brennwald D14/206
- D539,266 S * 3/2007 Bentley D14/205
- D541,787 S * 5/2007 Ma D14/205
- D543,968 S * 6/2007 Wong D14/205
- 7,346,180 B2 * 3/2008 Ham H04R 1/105
381/370
- D573,137 S * 7/2008 Polito D14/223

(Continued)

Primary Examiner — Paula Allen Greene

(74) *Attorney, Agent, or Firm* — Ziegler IP Law Group,
LLC

(57) **CLAIM**

The ornamental design for an earphone, as shown and described.

DESCRIPTION

FIG. 1 is a perspective view of an earphone showing the new design.

FIG. 2 is a front view of FIG. 1;

FIG. 3 is a rear view of FIG. 1;

FIG. 4 is a top view of FIG. 1;

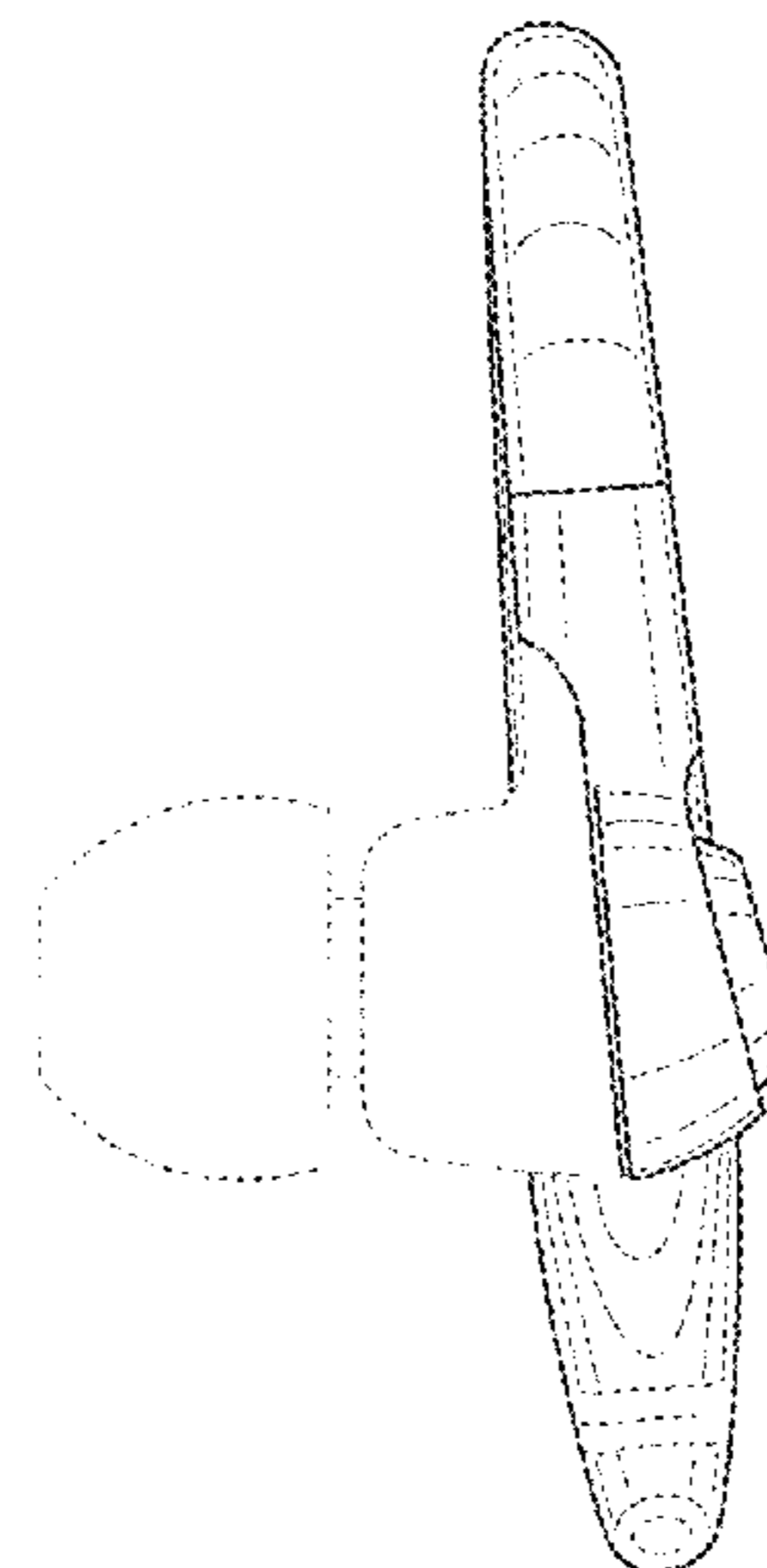
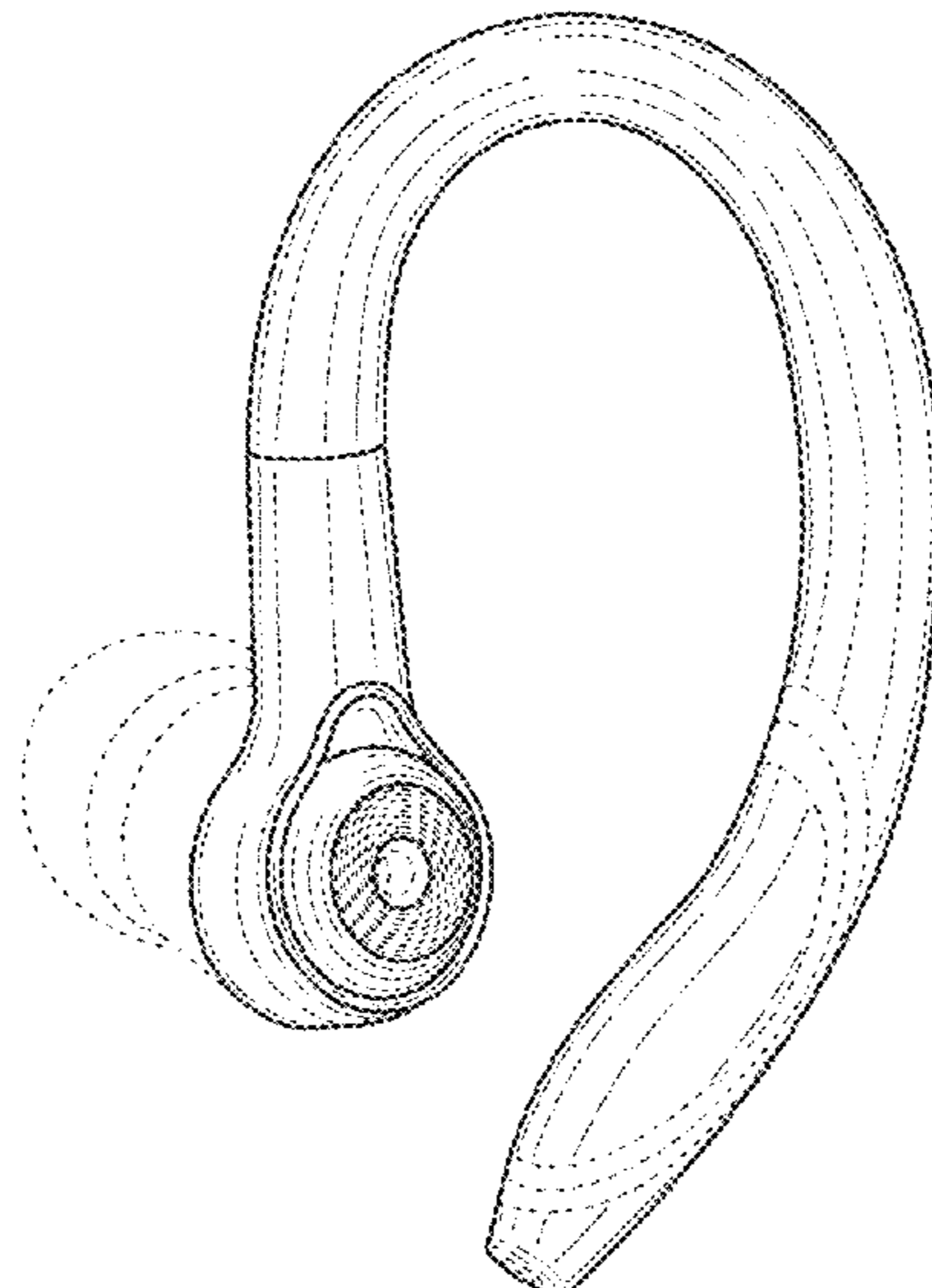
FIG. 5 is a bottom view of FIG. 1;

FIG. 6 is a right side view of FIG. 1; and,

FIG. 7 is a left side view of FIG. 1.

The environmental structure shown with broken lines in the drawings forms no part of the claimed design.

1 Claim, 7 Drawing Sheets



(56)

References Cited

U.S. PATENT DOCUMENTS

D599,329 S * 9/2009 Champkins D14/223
 D601,126 S * 9/2009 Christopher D14/206
 D603,847 S * 11/2009 Chung D14/223
 D617,780 S * 6/2010 Jaakkola D14/223
 7,778,410 B2 * 8/2010 Liu H04M 1/05
 379/430
 7,925,037 B2 * 4/2011 Te Riet H04M 1/05
 381/330
 D643,418 S * 8/2011 Lee D14/223
 D699,213 S * 2/2014 Burgett D14/205
 D777,149 S * 1/2017 Bonahoom D14/223
 D779,462 S * 2/2017 Birger D14/223
 2002/0106100 A1 * 8/2002 Kao H04M 1/05
 381/381
 2004/0264720 A1 * 12/2004 Huang H04M 1/05
 381/315
 2008/0188179 A1 * 8/2008 Liu H04R 1/1066
 455/41.2
 2013/0010997 A1 * 1/2013 Tanaka A61B 5/01
 381/380
 2015/0237434 A1 * 8/2015 Tran H04R 1/1008
 381/380

* cited by examiner

FIG. 1

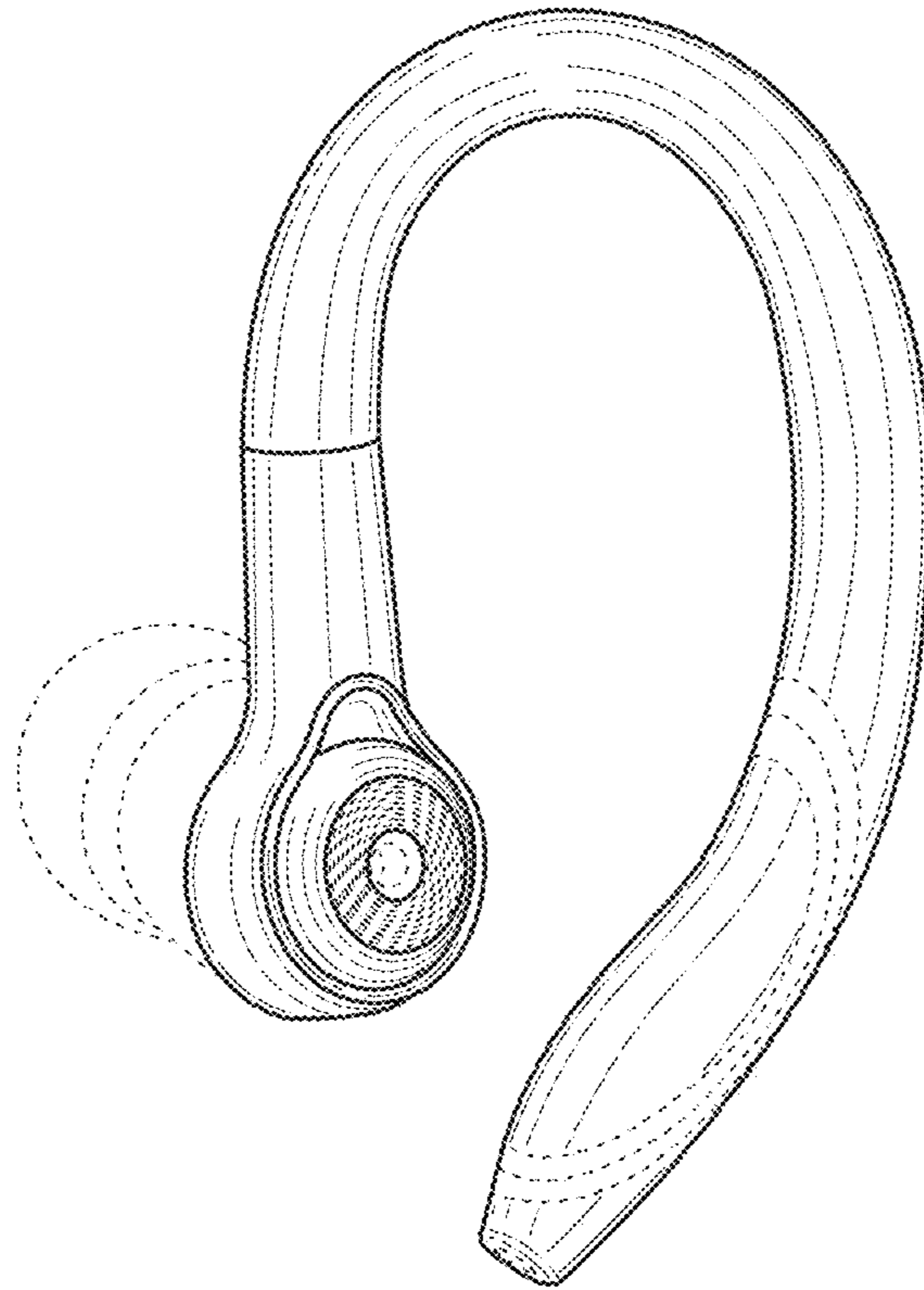


FIG. 2

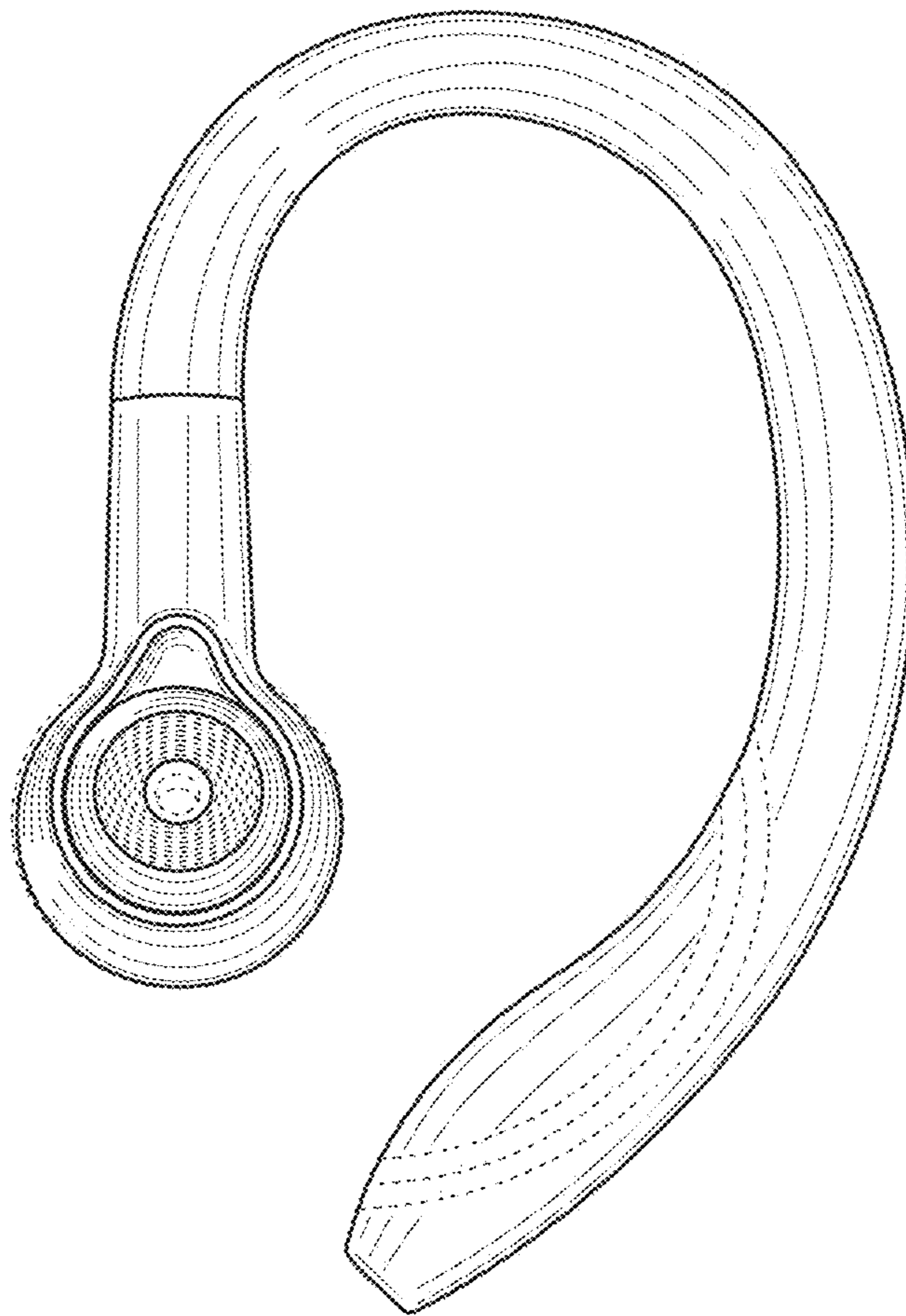


FIG. 3

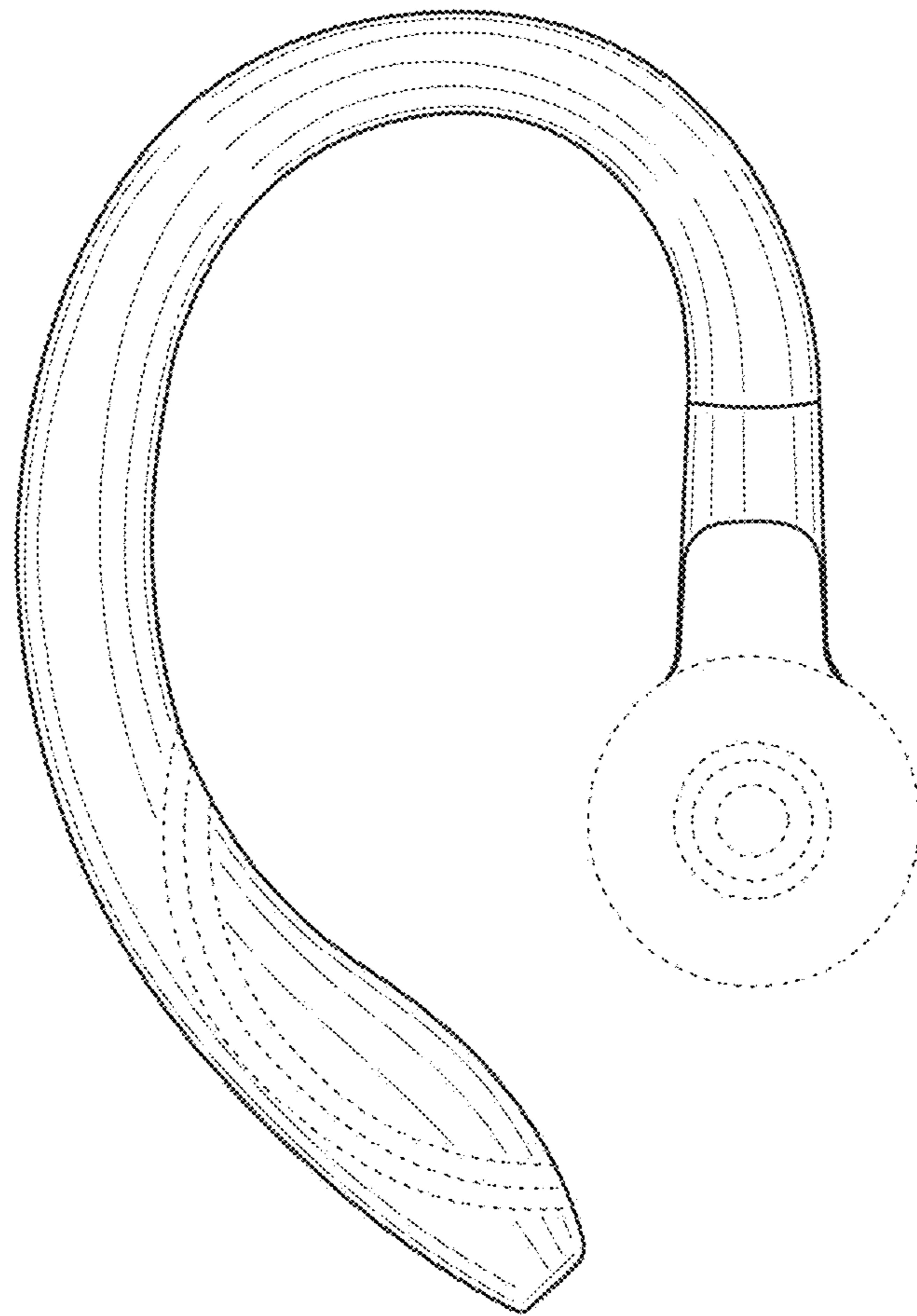


FIG. 4

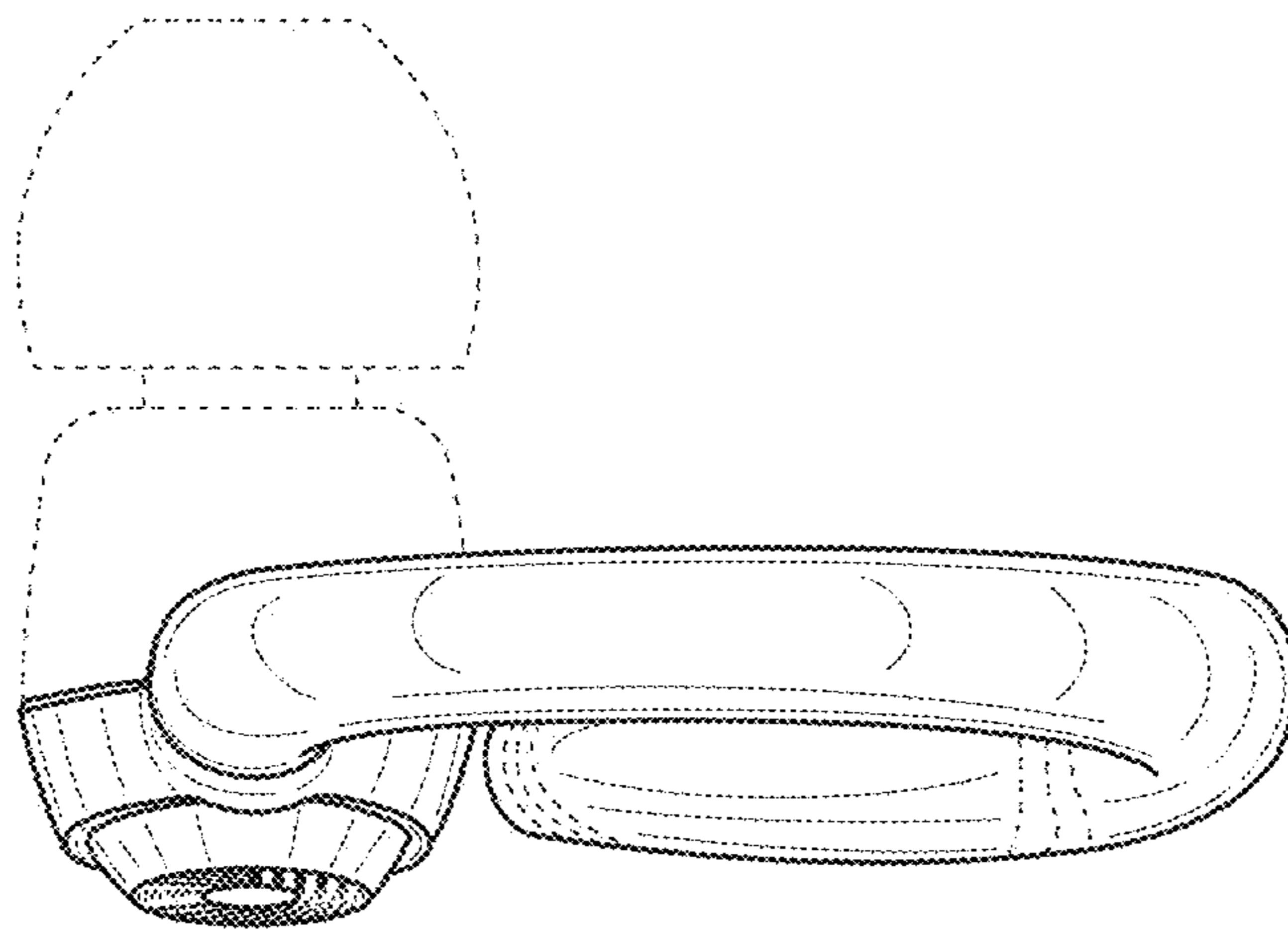


FIG. 5

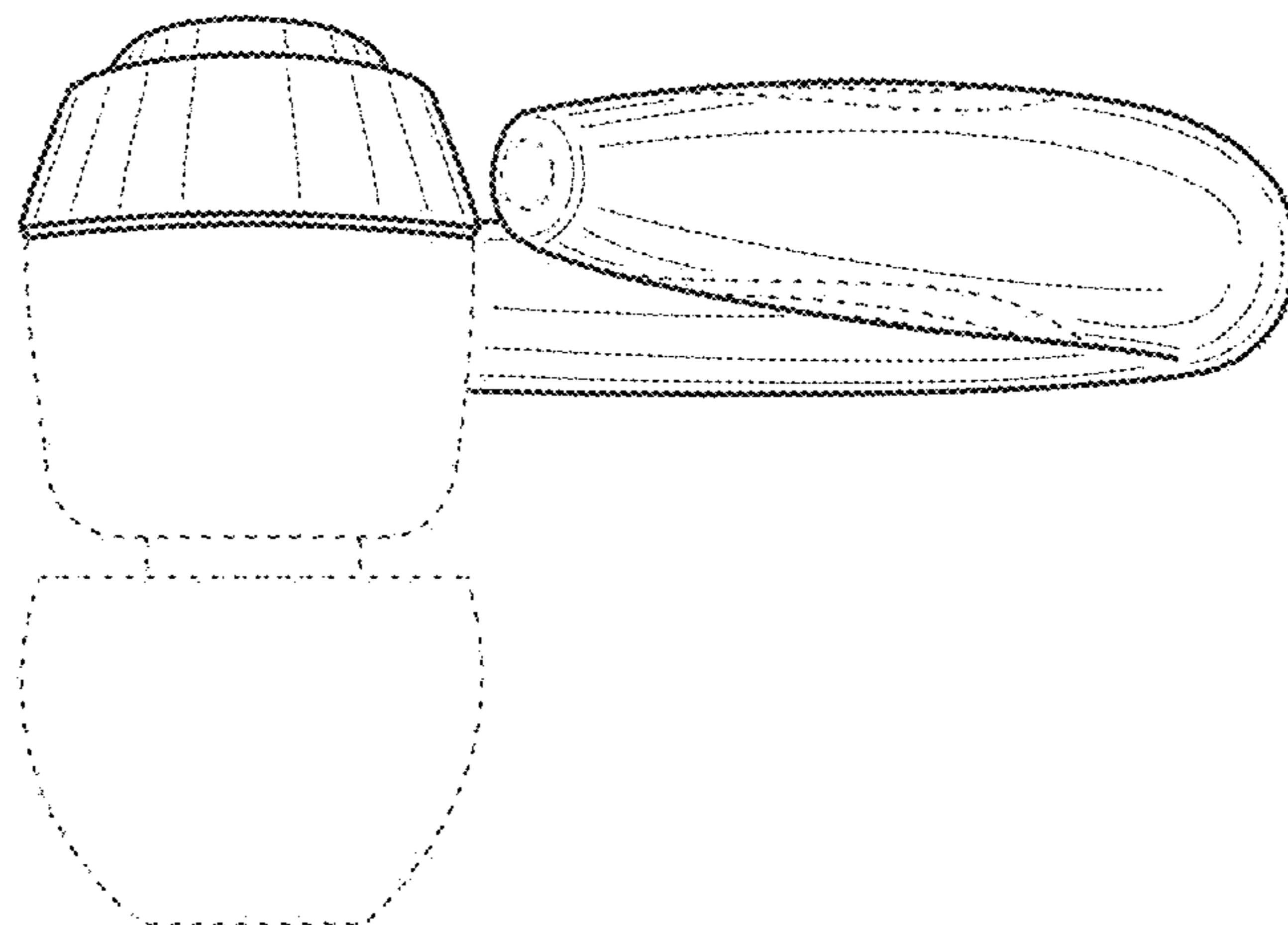


FIG. 6

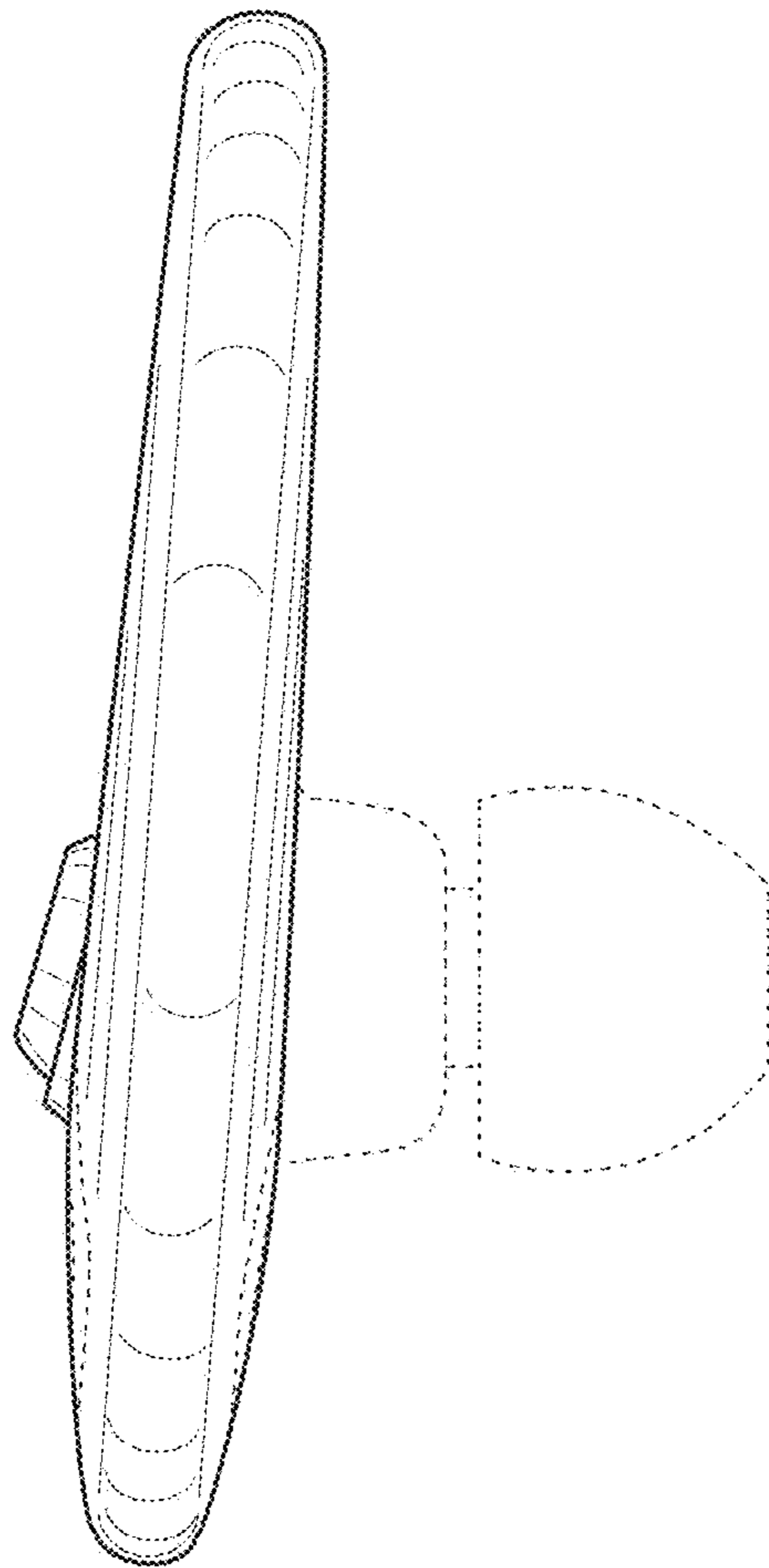


FIG. 7

