



US00D809483S

(12) **United States Design Patent**  
**Fischer et al.**

(10) **Patent No.:** **US D809,483 S**

(45) **Date of Patent:** **\*\* \*Feb. 6, 2018**

(54) **LOUDSPEAKER**

(71) Applicant: **Harman International Industries, Incorporated**, Northridge, CA (US)

(72) Inventors: **Joshua Fischer**, Shenzhen (CN); **Irfan Kachwalla**, Shenzhen (CN); **Gigi Guo**, Shenzhen (CN)

(73) Assignee: **Harman International Industries, Incorporated**, Northridge, CA (US)

(\*) Notice: This patent is subject to a terminal disclaimer.

(\*\*) Term: **15 Years**

(21) Appl. No.: **29/565,340**

(22) Filed: **May 19, 2016**

**Related U.S. Application Data**

(62) Division of application No. 29/550,255, filed on Dec. 31, 2015.

(51) **LOC (11) Cl.** ..... **14-03**

(52) **U.S. Cl.**  
USPC ..... **D14/216**

(58) **Field of Classification Search**

USPC ... D14/216, 204, 209.1, 215, 168, 172, 188, D14/214, 156-157, 135-136, 160, 167; D3/282; D13/108; 455/344-351, 90.3, 455/575.1, 569.1; 181/129, 130, 135; 379/430, 431; 381/169, 174, 190, 191, 381/369, 409, 410, 424, 361, 398, 399

CPC ..... H04R 1/105; H04R 5/02; H04R 1/02  
See application file for complete search history.

(56) **References Cited**

**U.S. PATENT DOCUMENTS**

D100,488 S \* 7/1936 Ciccarelli ..... D14/183  
D344,951 S \* 3/1994 Christie ..... D14/216

D505,129 S *	5/2005	Yuyama	.....	D14/168
D520,502 S *	5/2006	Xu	.....	D14/356
D575,729 S *	8/2008	Nomi	.....	D13/107
D578,107 S *	10/2008	Shimizu	.....	D14/214
D594,002 S *	6/2009	Kettula	.....	D14/240
D641,007 S *	7/2011	Skurdal	.....	D14/214
D641,731 S *	7/2011	Hoggarth	.....	D14/216
D642,158 S *	7/2011	Skurdal	.....	D14/214
D655,276 S *	3/2012	Joseph	.....	D14/214
D695,713 S *	12/2013	Szymanski	.....	D14/216
D713,381 S *	9/2014	Riggs	.....	D14/214
D714,248 S *	9/2014	Chang	.....	D14/140
D726,143 S *	4/2015	Cheng	.....	D14/197
D734,739 S *	7/2015	Green	.....	D14/214
D737,244 S *	8/2015	Kim	.....	D14/214
D738,848 S *	9/2015	Loudon	.....	D14/192
D743,937 S *	11/2015	Farr	.....	D14/214
D750,044 S *	2/2016	Nam	.....	D14/214
D753,094 S *	4/2016	Holzer	.....	D14/214

(Continued)

*Primary Examiner* — Paula Allen Greene

(74) *Attorney, Agent, or Firm* — Plumsea Law Group, LLC

(57) **CLAIM**

The ornamental design for a loudspeaker, as shown and described.

**DESCRIPTION**

FIG. 1 is a top perspective view of a loudspeaker showing the new design;

FIG. 2 is a front elevational view thereof;

FIG. 3 is a rear elevational view thereof;

FIG. 4 is a left side elevational view thereof;

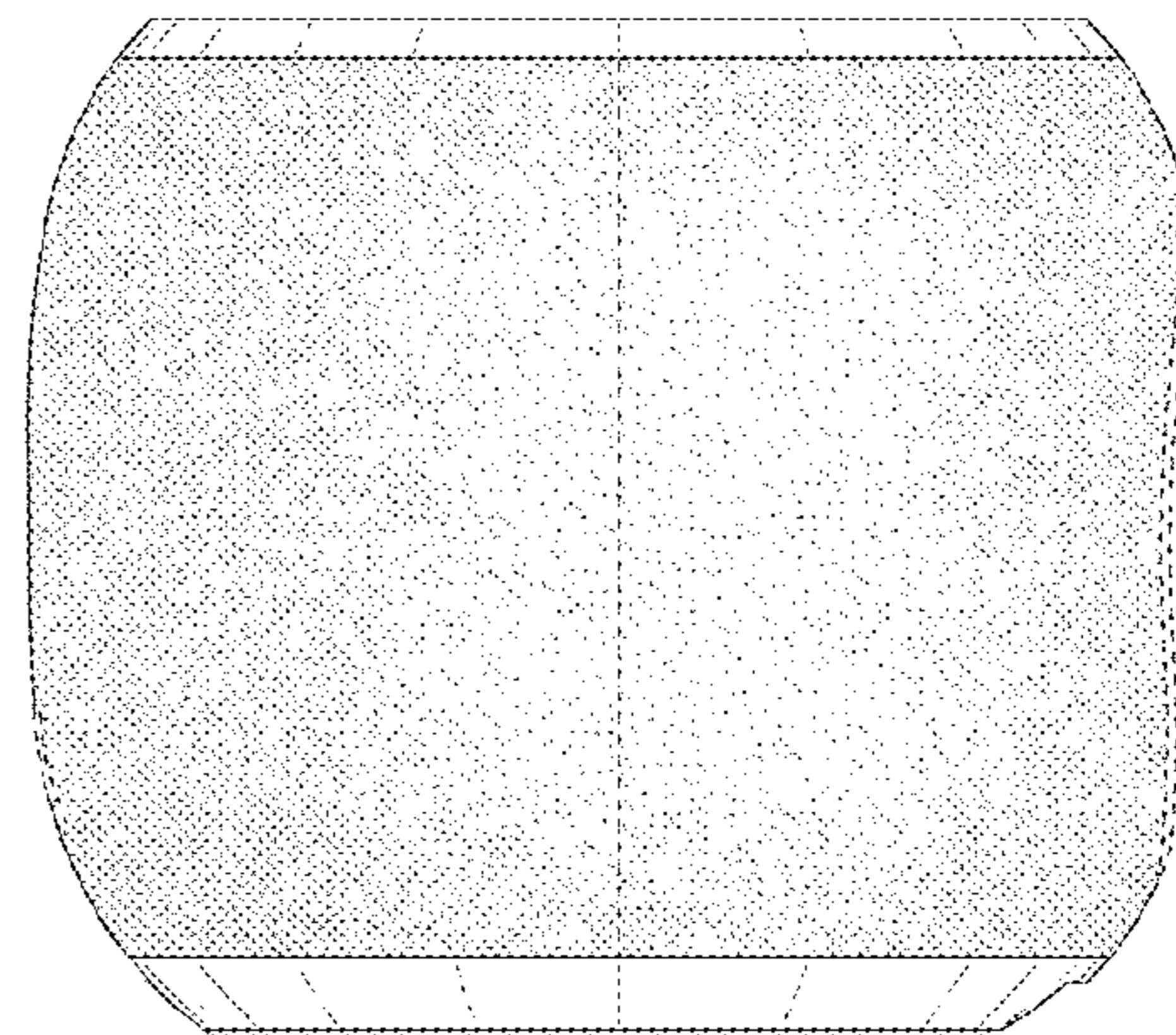
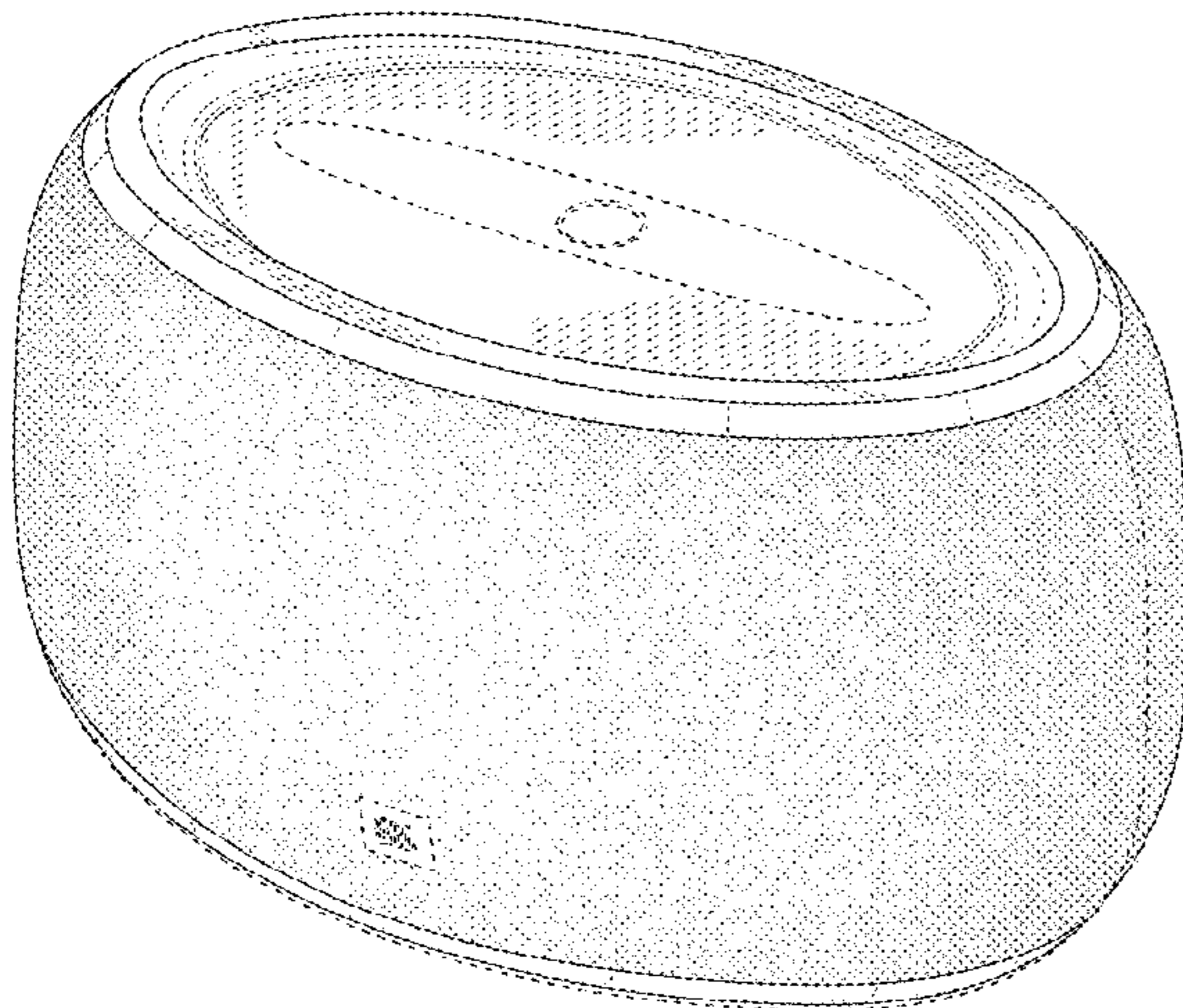
FIG. 5 is a right side elevational view thereof;

FIG. 6 is a top plan view thereof; and,

FIG. 7 is a bottom plan view thereof.

The broken lines immediately adjacent the shaded areas represent the bounds of the claimed design while all other broken lines depict environment; the broken lines form no part of the claimed design.

**1 Claim, 7 Drawing Sheets**



(56)

**References Cited**

U.S. PATENT DOCUMENTS

D756,330 S \* 5/2016 Silvera ..... D14/204  
D760,684 S \* 7/2016 Green ..... D14/204  
D768,598 S \* 10/2016 Skelton ..... D14/203.1  
D769,212 S \* 10/2016 Larsen ..... D14/204

\* cited by examiner

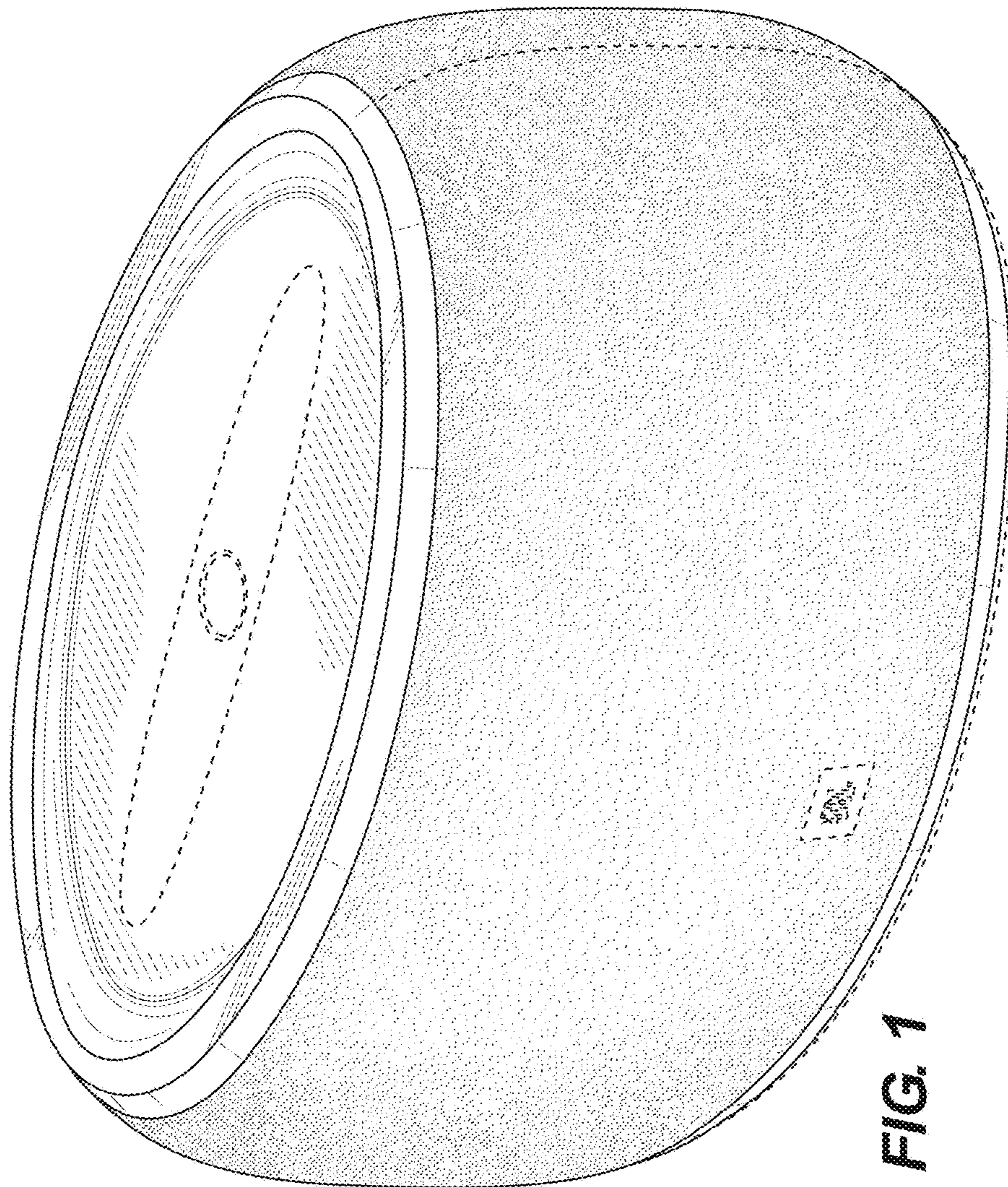


FIG. 1

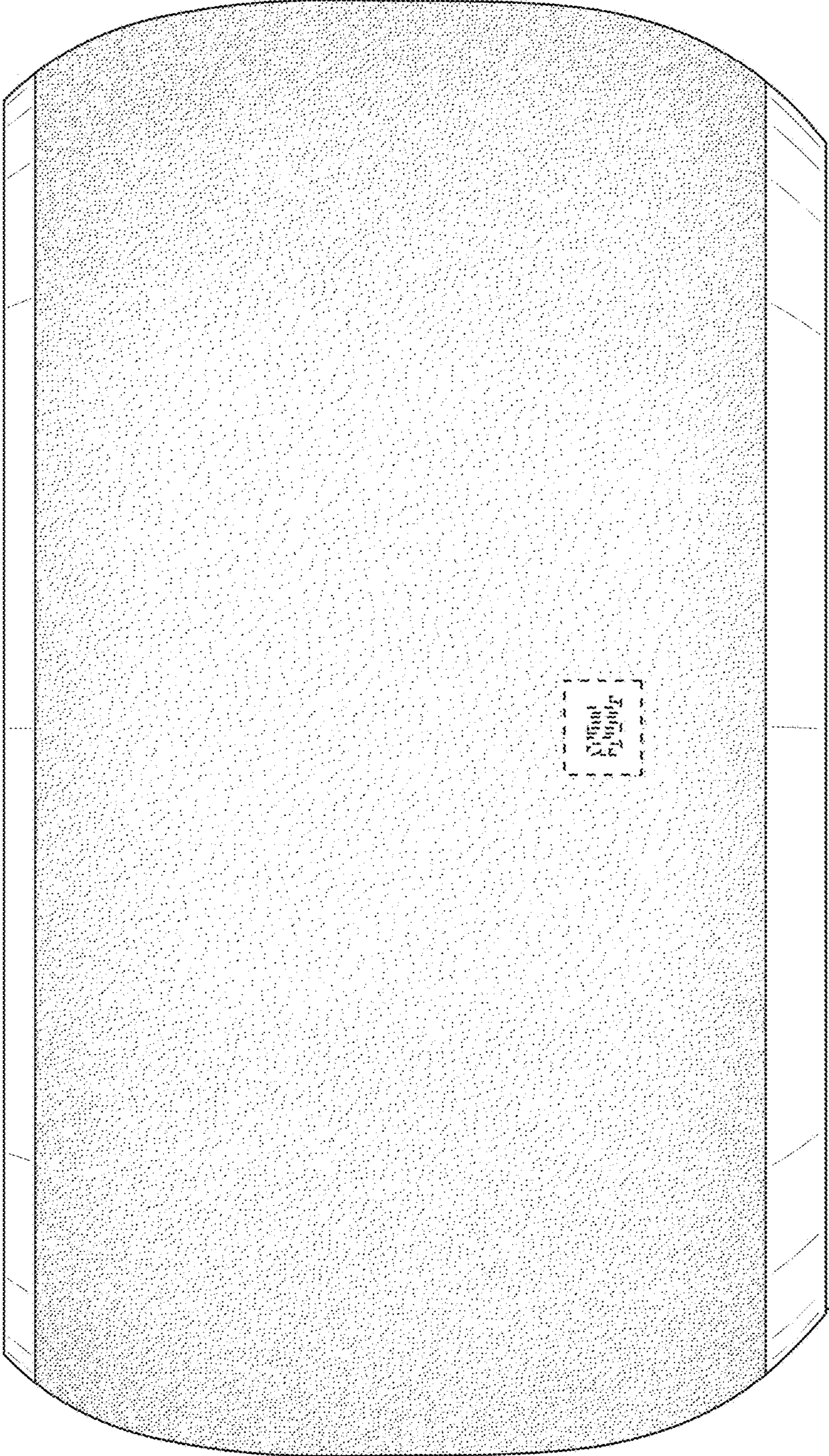


FIG. 2

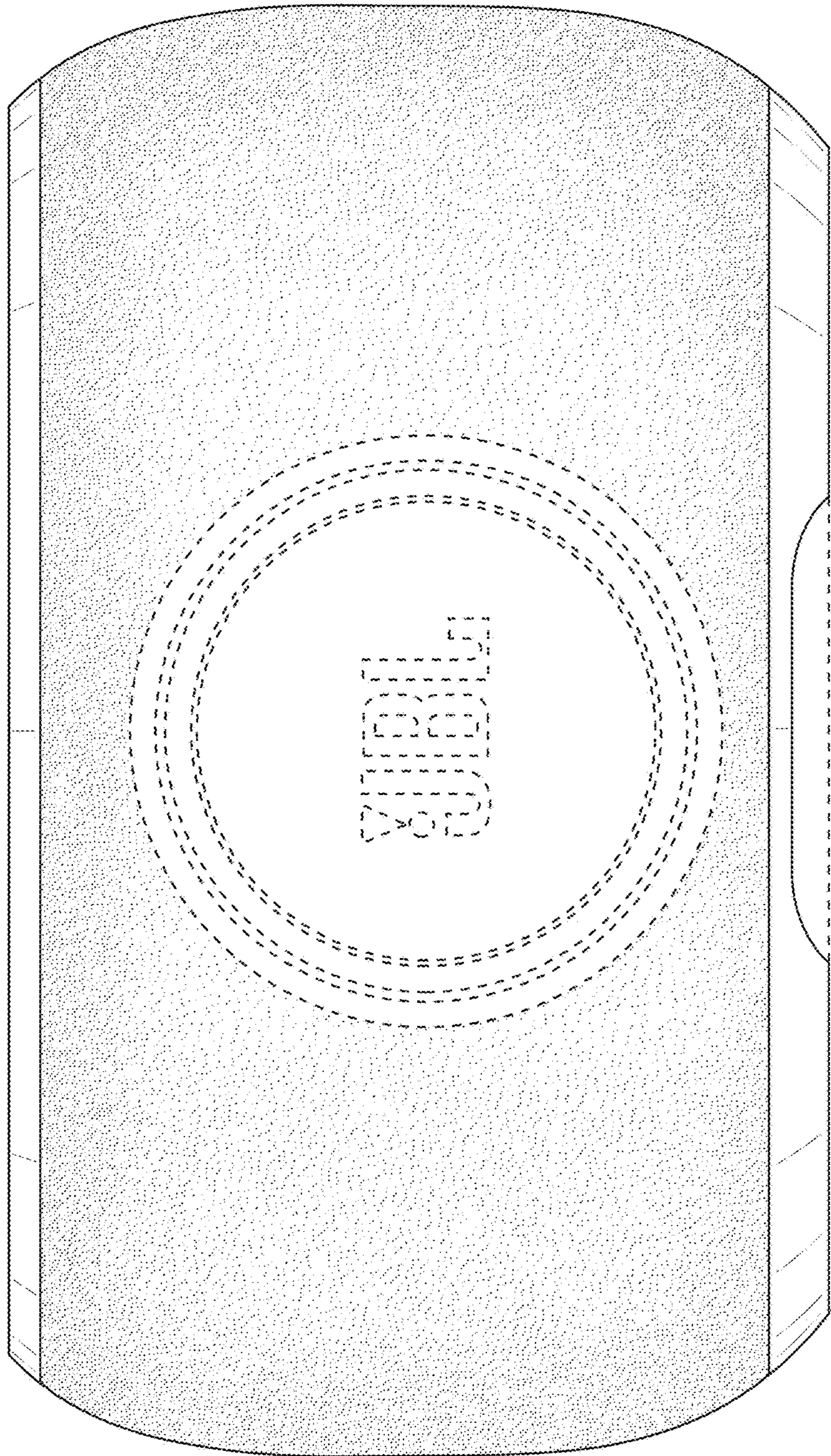
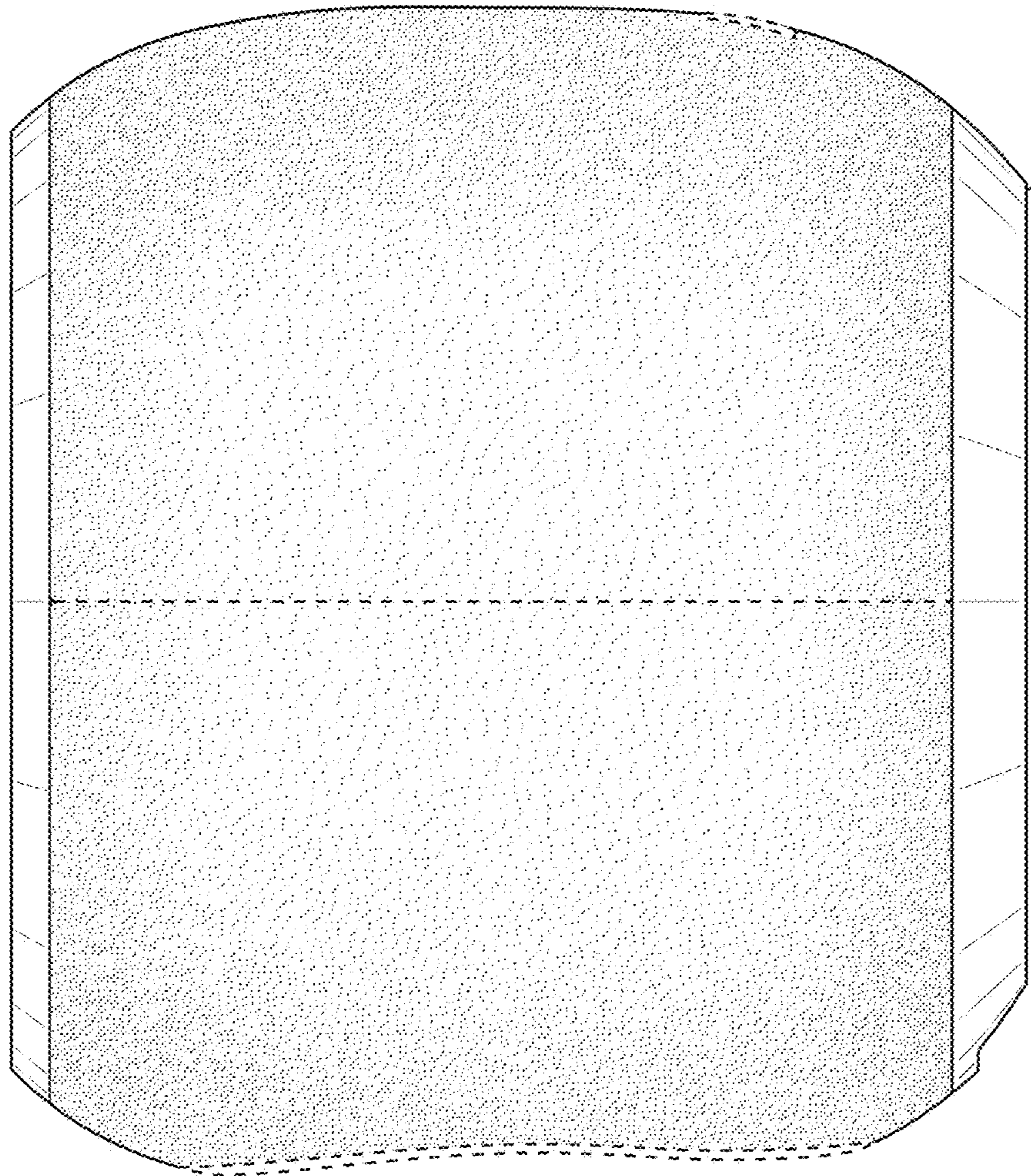


FIG. 3



**FIG. 4**

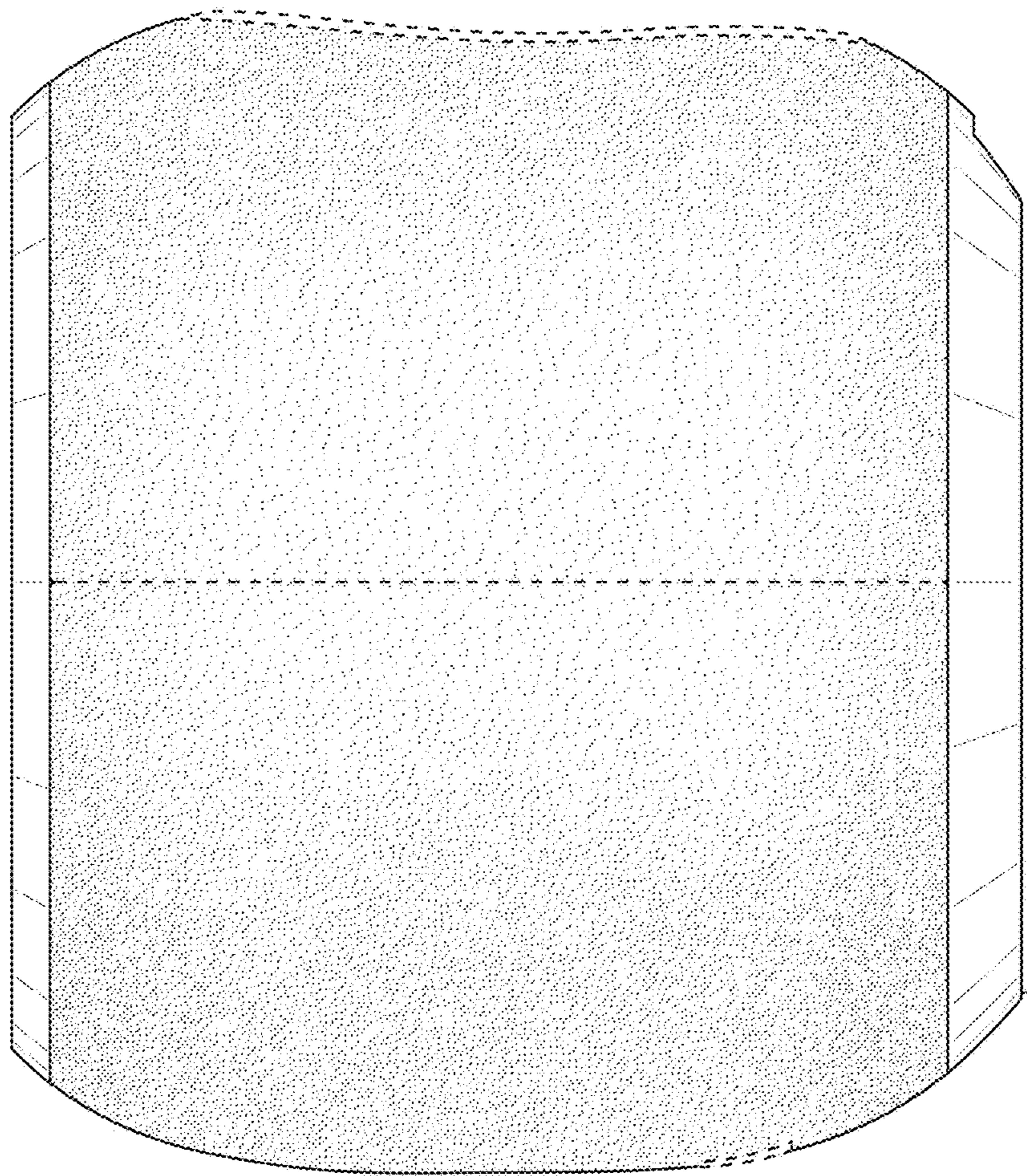
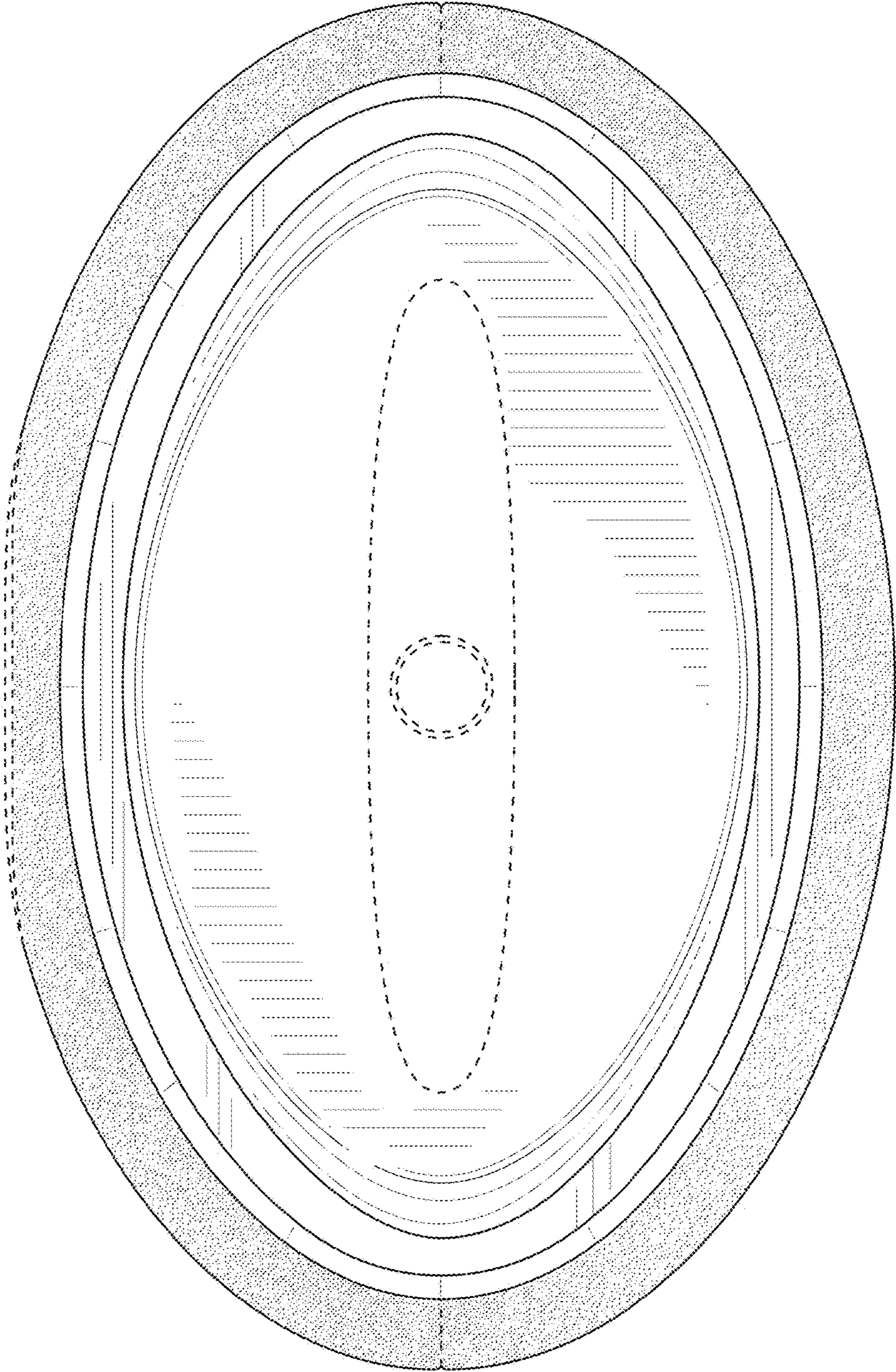


FIG. 5



**FIG. 6**



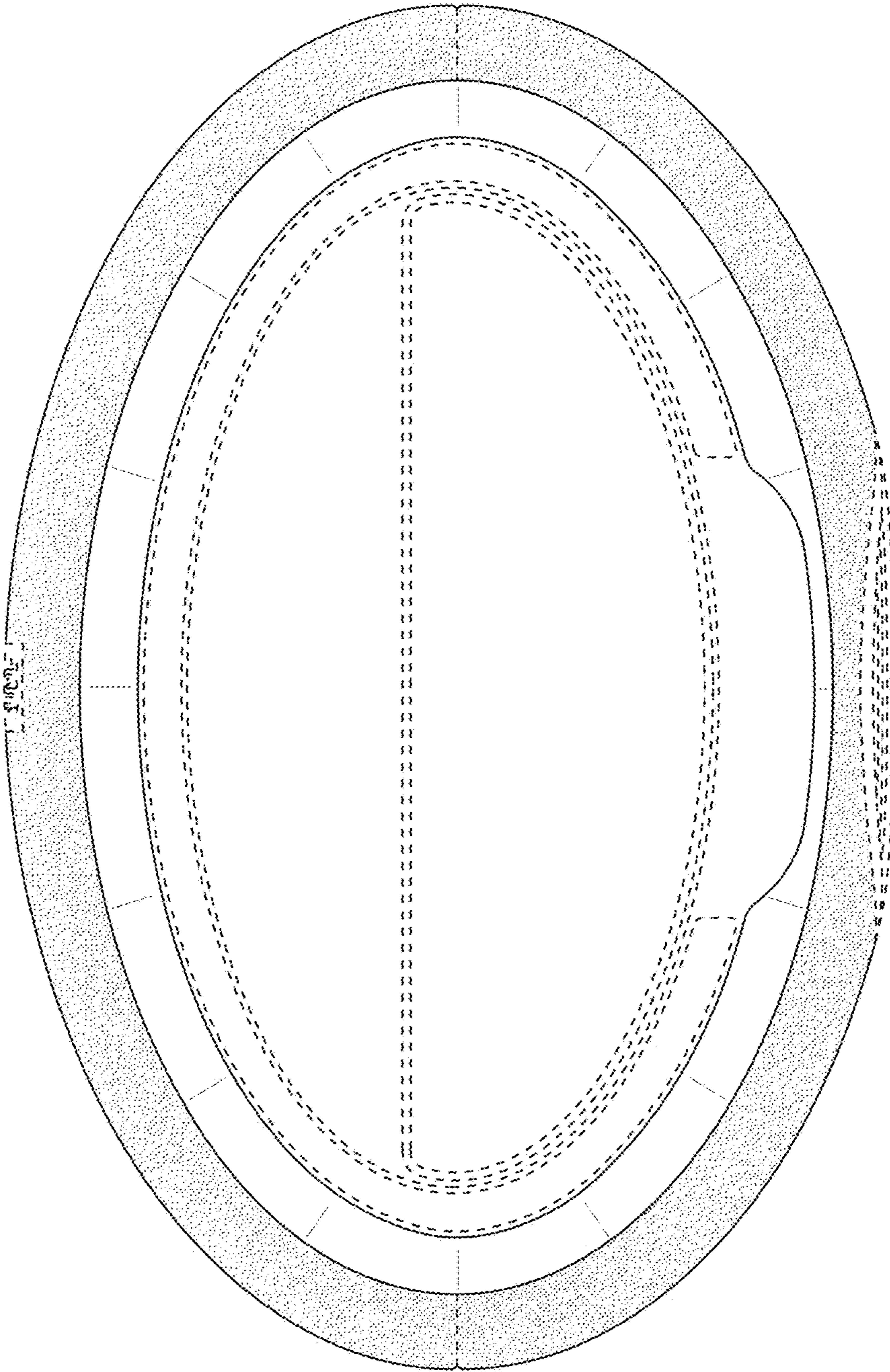


FIG. 7