



US00D809479S

(12) **United States Design Patent** (10) **Patent No.:** **US D809,479 S**  
**Clark et al.** (45) **Date of Patent:** **\*\* Feb. 6, 2018**

(54) **SPEAKER SYSTEM**  
(71) Applicant: **Audio Icons, LLC**, Athens, GA (US)  
(72) Inventors: **Kevin Clark**, Athens, GA (US); **Ted Mayer**, Athens, GA (US)  
(73) Assignee: **Audio Icons, LLC**, Athens, GA (US)  
(\*\*) Term: **15 Years**  
(21) Appl. No.: **29/587,940**  
(22) Filed: **Dec. 16, 2016**

4,607,395 A \* 8/1986 Sundahl ..... A42B 3/30  
338/163  
4,776,044 A \* 10/1988 Makins ..... A42B 1/245  
2/172  
4,979,586 A 12/1990 Lazzeroni et al.  
5,136,657 A \* 8/1992 Hattori ..... A42B 3/127  
2/421  
5,142,700 A \* 8/1992 Reed ..... A42B 3/30  
2/422  
5,465,421 A 11/1995 McCormick et al.  
(Continued)

**Related U.S. Application Data**

(62) Division of application No. 29/529,772, filed on Jun. 10, 2015, now Pat. No. Des. 776,084.  
(51) **LOC (11) Cl.** ..... **14-02**  
(52) **U.S. Cl.**  
USPC ..... **D14/207**  
(58) **Field of Classification Search**  
USPC ..... D14/204, 207, 210–216, 172, 209.1,  
D14/203.2, 189; 181/143, 144, 147, 148,  
181/150–153, 157, 198, 199;  
381/300–303, 306, 332, 333, 336, 345,  
381/361–364, 386–388; D11/160, 162,  
D11/606–609, 832; 455/344–347;  
369/6–12; D9/683, 500, 738, 763;  
D7/300, 601–606  
CPC ..... H04R 1/00; H04R 1/02; H04R 2400/00;  
H05K 5/00  
See application file for complete search history.

**FOREIGN PATENT DOCUMENTS**

GB 727458 3/1955

**OTHER PUBLICATIONS**

Helmet & Speaker Set Item: 7214000X; Schutt Sports; schuttsports.com; 2007.

*Primary Examiner* — Prabhakar Deshmukh  
(74) *Attorney, Agent, or Firm* — The Webb Law Firm

(57) **CLAIM**

The ornamental design for a speaker system, as shown and described.

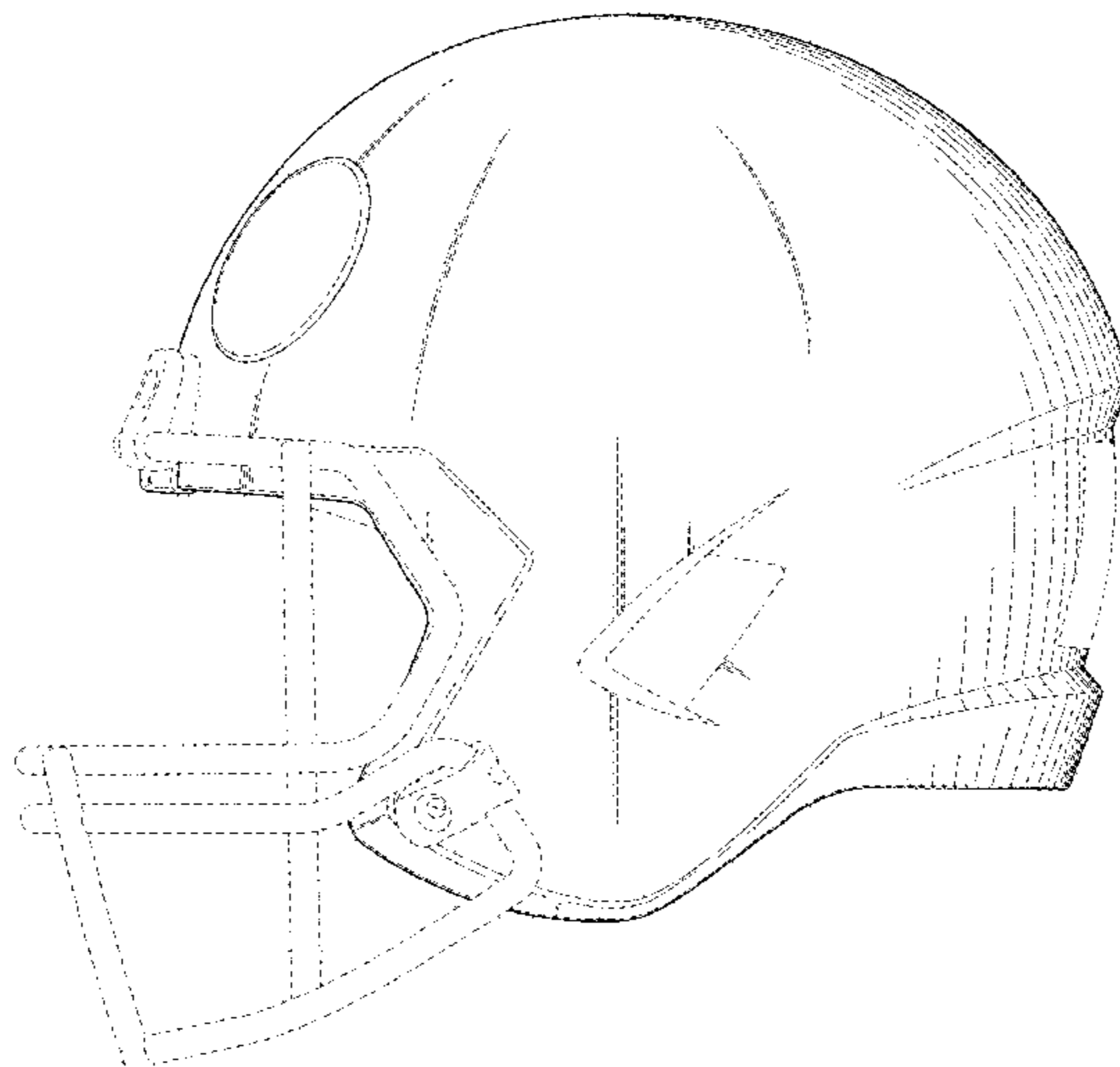
**DESCRIPTION**

FIG. 1 is a right side view of a speaker system in accordance with the present design, wherein the left side view is a mirror image of the right side view;  
FIG. 2 is a front view thereof;  
FIG. 3 is rear view thereof;  
FIG. 4 is a top view thereof;  
FIG. 5 is a bottom view thereof; and  
FIG. 6 is perspective view thereof.  
The broken line showings provided herein are environmental only and not part of the claimed design. The dashed-dotted line showings provided herein illustrate boundaries between the claimed design and environmental features.

(56) **References Cited**  
U.S. PATENT DOCUMENTS

2,904,645 A \* 9/1959 Sarles ..... A42B 3/30  
2/422  
4,179,585 A 12/1979 Herrenschmidt  
4,471,174 A \* 9/1984 Nava ..... A42B 3/30  
2/422

**1 Claim, 6 Drawing Sheets**



(56)

**References Cited**

U.S. PATENT DOCUMENTS

D420,002	S	2/2000	Arcos	
6,118,876	A	9/2000	Ruzicka	
D465,067	S	10/2002	Ide et al.	
D511,026	S	10/2005	Ide et al.	
6,970,691	B2	11/2005	Thompson	
7,052,154	B2 *	5/2006	Vanderschuit	..... A42B 1/062 362/103
D528,705	S	9/2006	Ide et al.	
D573,132	S	7/2008	Yang	
D582,607	S *	12/2008	Ferrara	..... D29/106
D586,779	S	2/2009	Lotman et al.	
D587,854	S *	3/2009	Nimmons	..... D29/106
D587,855	S *	3/2009	Nimmons	..... D29/106
D603,099	S	10/2009	Bologna et al.	
D603,100	S	10/2009	Bologna	
7,862,194	B2	1/2011	Seade	
8,014,556	B2	9/2011	Goldberg	
8,107,664	B2	1/2012	Mao	
D676,828	S	2/2013	Clark	
D681,280	S	4/2013	Bologna et al.	
D681,281	S	4/2013	Bologna et al.	
8,491,146	B2	7/2013	Seade	
D730,316	S	5/2015	Burchfield et al.	
2008/0295224	A1	12/2008	Mintzer	
2012/0300962	A1	11/2012	Devoto	
2013/0177198	A1	7/2013	Hogue et al.	

\* cited by examiner

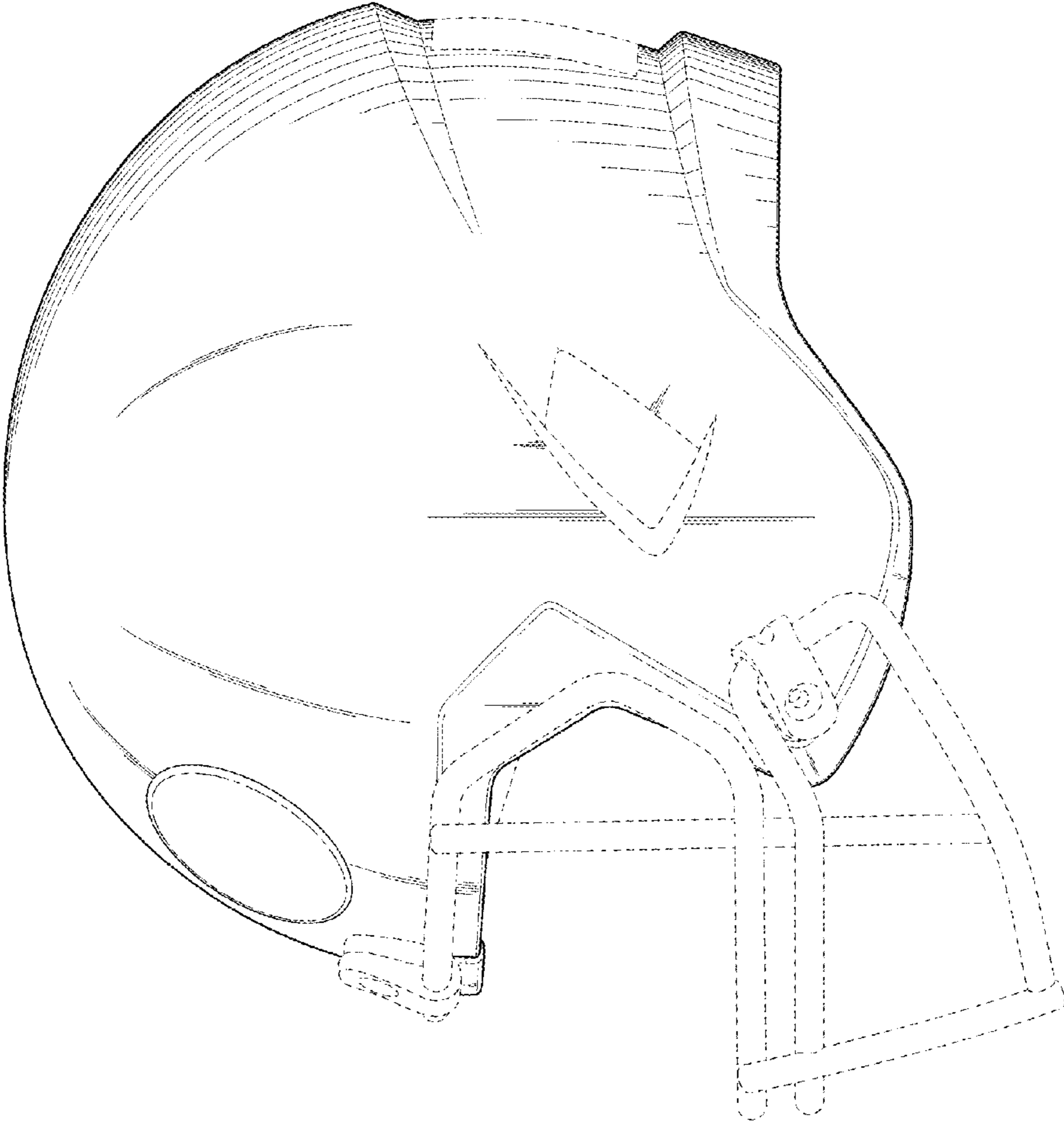
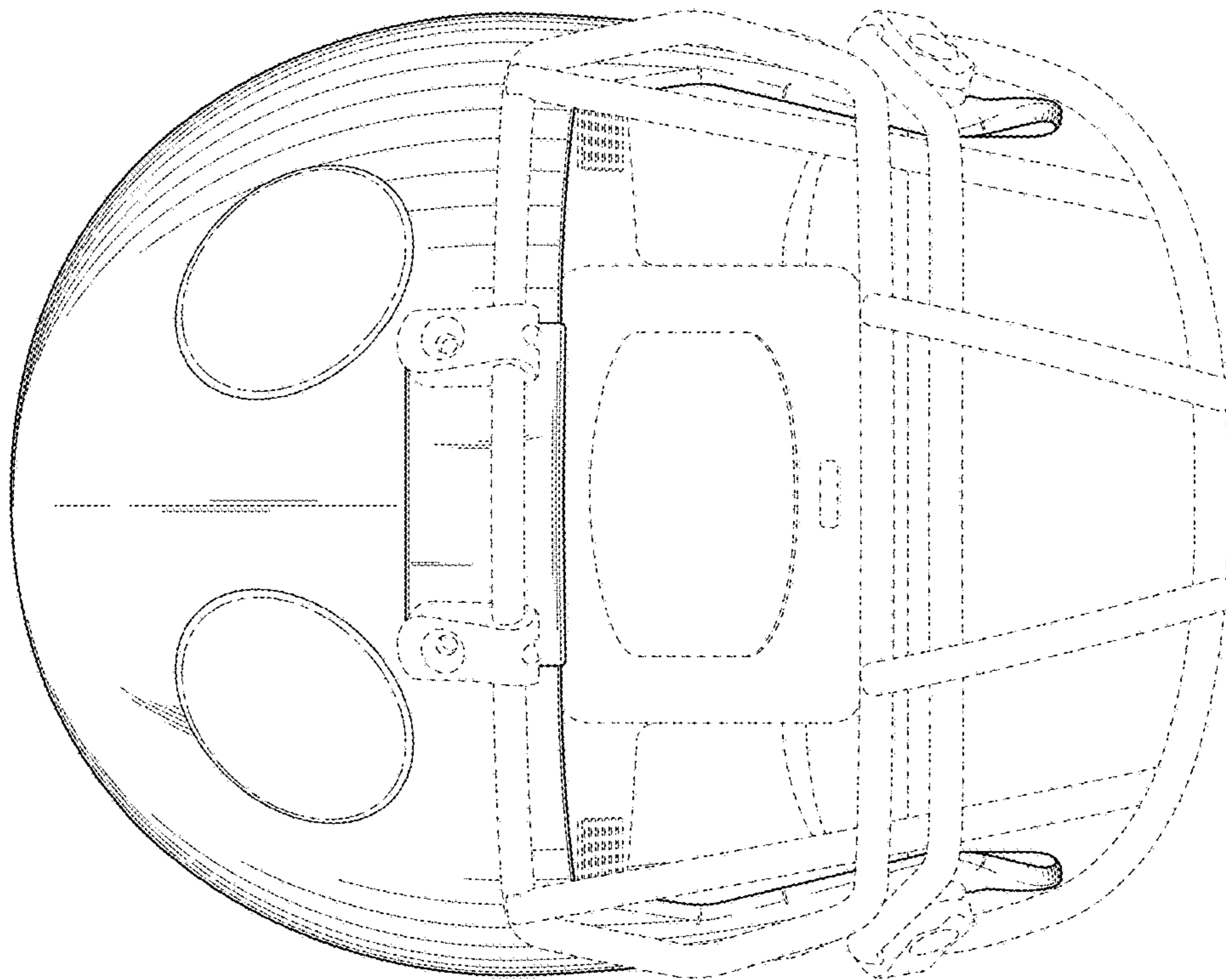


FIG. 1



**FIG. 2**

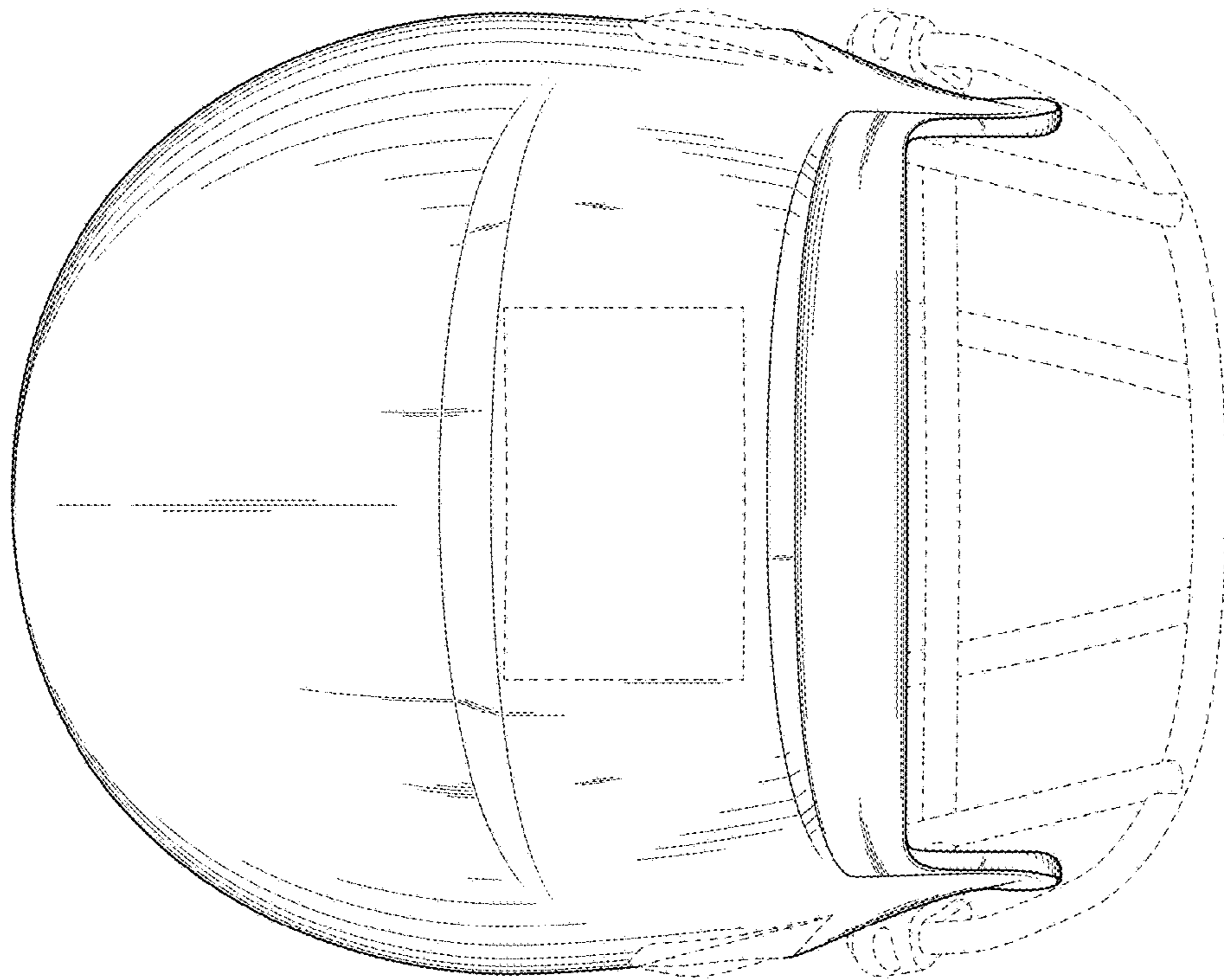


FIG. 3

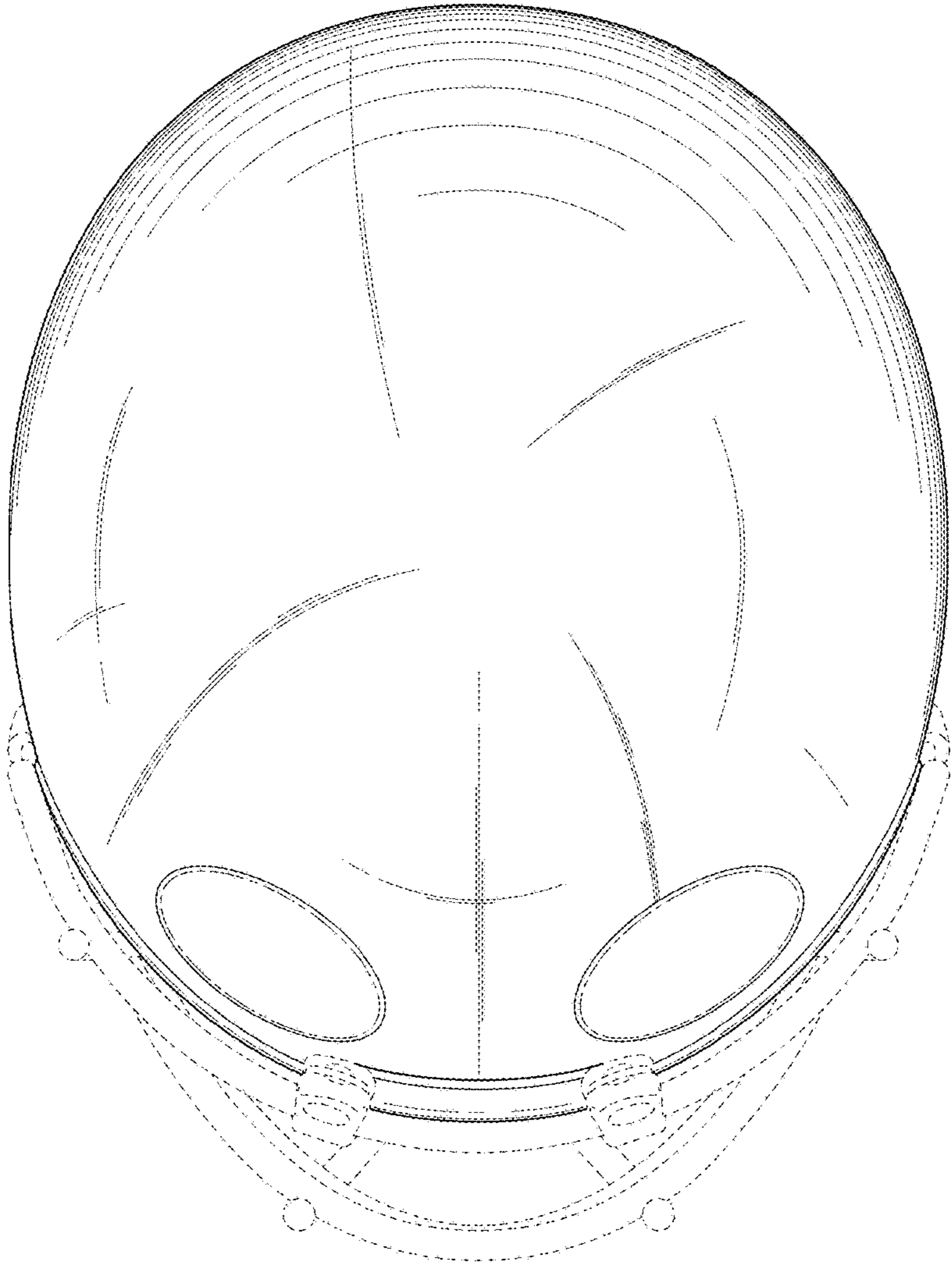


FIG. 4

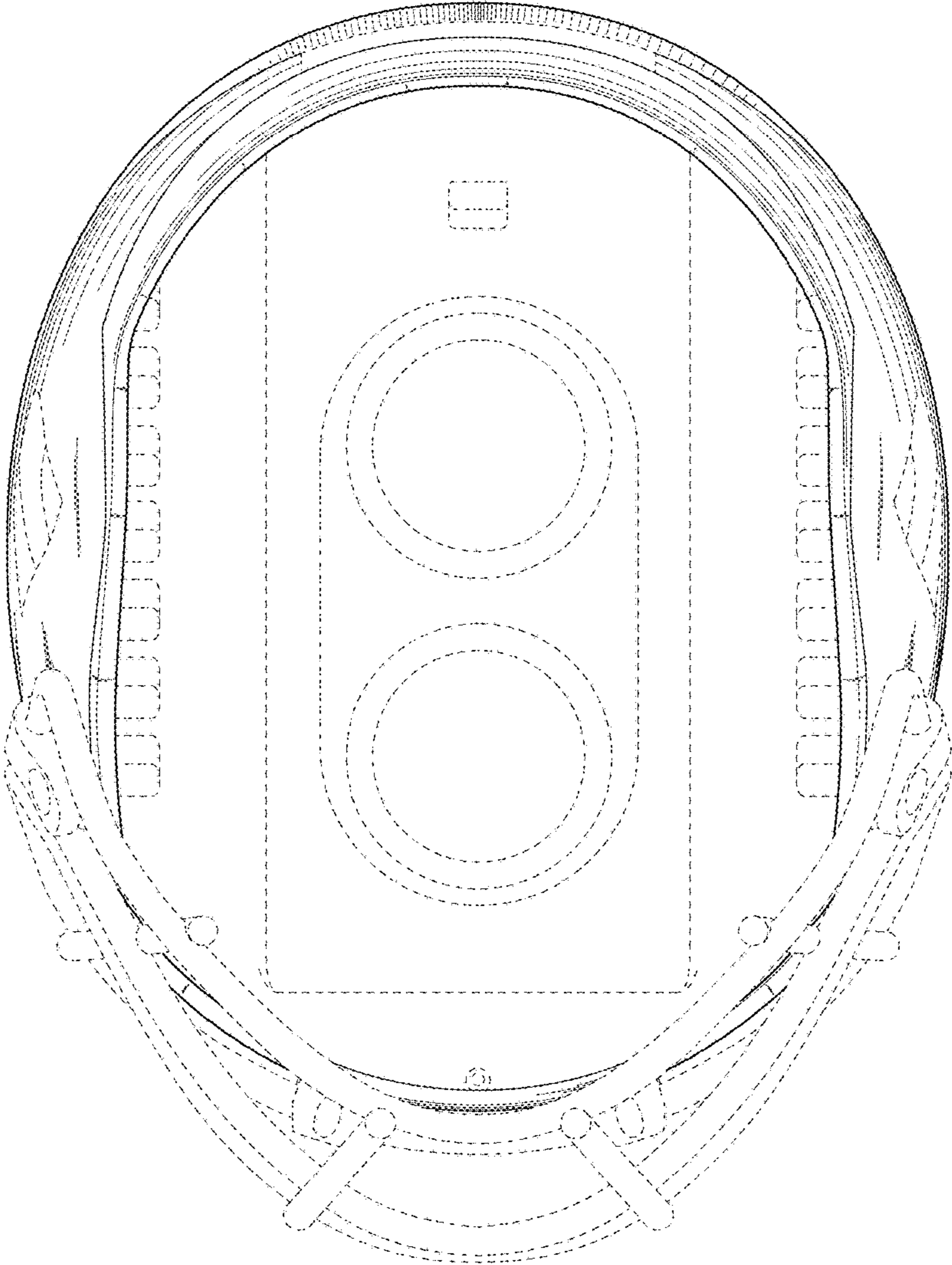


FIG. 5

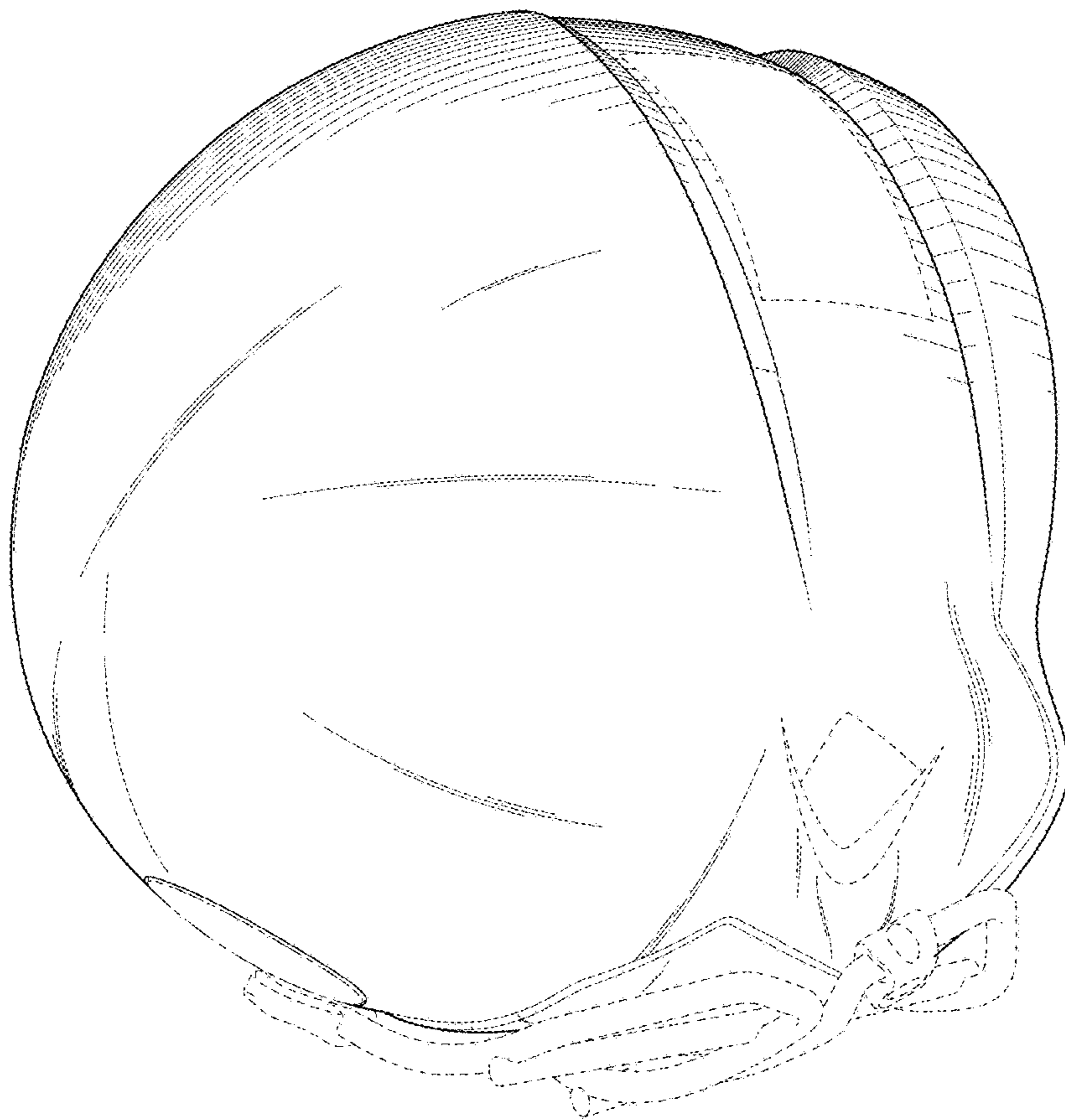


FIG. 6