



US00D809478S

(12) **United States Design Patent**
Arimoto et al.

(10) **Patent No.:** **US D809,478 S**

(45) **Date of Patent:** **** Feb. 6, 2018**

- (54) **HEADPHONE**
- (71) Applicant: **JVC KENWOOD Corporation**,
Yokohama-shi, Kanagawa (JP)
- (72) Inventors: **Takuya Arimoto**, Yokohama (JP);
Shuji Tanifuji, Yokohama (JP)
- (73) Assignee: **JVC KENWOOD Corporation**,
Yokohama-shi (JP)
- (**) Term: **15 Years**
- (21) Appl. No.: **29/580,689**
- (22) Filed: **Oct. 12, 2016**
- (30) **Foreign Application Priority Data**
Aug. 4, 2016 (JP) 2016-016689
- (51) **LOC (11) Cl.** **14-01**
- (52) **U.S. Cl.**
USPC **D14/205**
- (58) **Field of Classification Search**
USPC D14/205, 223; D29/112; 2/209;
181/129, 130, 135; 379/430, 431;
381/380, 381, 74; 455/90.3, 575.1, 569.1
CPC H04R 1/1066; H04R 1/1016; H04R 1/10;
H04R 25/00; H04R 5/033; H04R 5/0335
See application file for complete search history.

- (56) **References Cited**
U.S. PATENT DOCUMENTS
2,476,589 A * 7/1949 Driskill A61F 11/14
128/866
3,272,926 A * 9/1966 Falkenberg H04R 1/1008
381/370
3,454,964 A * 7/1969 Brinkhoff A61F 11/14
2/209
D229,833 S * 1/1974 Becker D14/205

- 3,815,155 A * 6/1974 Davison A42B 3/166
2/209
- 4,385,209 A * 5/1983 Greason H04M 1/03
307/400
- D328,461 S * 8/1992 Daido D14/205
- 5,333,206 A * 7/1994 Koss H04R 1/1016
381/309
- D353,817 S * 12/1994 Wada D14/205
- D353,818 S * 12/1994 Nakamura D14/205
- 5,640,458 A * 6/1997 Nishiguchi G11C 7/16
381/2
- D484,485 S * 12/2003 Matsuoka D14/205
- D491,163 S * 6/2004 Green D14/205
- D504,414 S * 4/2005 Yoshida D14/192
- D519,985 S * 5/2006 Wikel D14/205
- D531,159 S * 10/2006 Park D14/203.3
- D541,255 S * 4/2007 Taylor D14/205
- D568,290 S * 5/2008 Wikel D14/205
- D573,581 S * 7/2008 Gondo D14/205

(Continued)

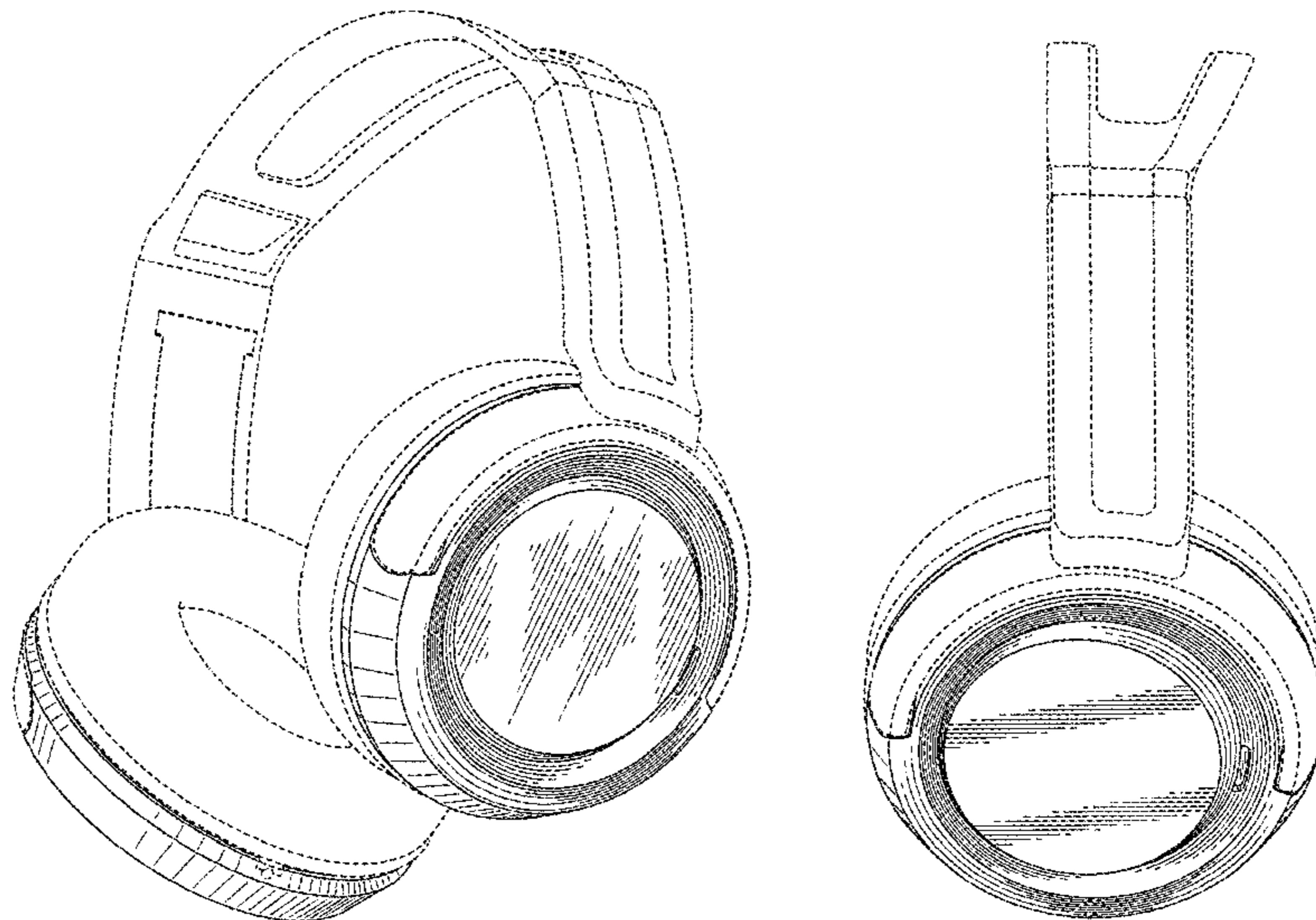
Primary Examiner — Paula Allen Greene
(74) *Attorney, Agent, or Firm* — Amin, Turocy & Watson
LLP

(57) **CLAIM**
The ornamental design for a headphone, as shown and
described.

DESCRIPTION

FIG. 1 is a front, bottom and right side perspective view of
a headphone showing our new design;
FIG. 2 is a front elevational view thereof;
FIG. 3 is a rear elevational view thereof;
FIG. 4 is a top plan view thereof;
FIG. 5 is a bottom plan view thereof;
FIG. 6 is a right side elevational view thereof; and,
FIG. 7 is a left side elevational view thereof.
The portions of all drawings shown in broken lines are for
illustrative purposes only and the broken lines form no part
of the claimed design.

1 Claim, 7 Drawing Sheets



(56)

References Cited

U.S. PATENT DOCUMENTS

7,412,070	B2 *	8/2008	Kleinschmidt	H04R 1/1066 381/370
D581,394	S *	11/2008	Lee	D14/205
D588,098	S *	3/2009	Kurihara	D14/205
D594,847	S *	6/2009	Suzuki	D14/205
D603,370	S *	11/2009	Suzuki	D14/205
D642,554	S *	8/2011	Schaal	D14/205
8,098,872	B2 *	1/2012	Chang	H04R 1/1075 381/370
D657,776	S *	4/2012	Lee	D14/205
D662,080	S *	6/2012	Carr	D14/205
D669,450	S *	10/2012	Katsumata	D14/205
D677,243	S *	3/2013	Kitayama	D14/205
D680,060	S *	4/2013	Gago	D13/102
D684,559	S *	6/2013	Groset	D14/205
D691,579	S *	10/2013	Lee	D14/205
D693,791	S *	11/2013	Troy	D14/205
D696,643	S *	12/2013	Lee	D14/205
D696,644	S *	12/2013	Sejпка	D14/205
D697,047	S *	1/2014	Yoshida	D14/205
D719,136	S *	12/2014	Schaal	D14/205
D721,052	S *	1/2015	Carr	D14/205
D729,194	S *	5/2015	Boeckel	D14/205
D734,297	S *	7/2015	Sasaki	D14/205
D739,842	S *	9/2015	Birger	D14/205
D750,041	S *	2/2016	Birger	D14/205
D768,110	S *	10/2016	Suzuki	D14/205
D777,701	S *	1/2017	Czaniecki	D14/205
D794,602	S *	8/2017	Riggs	D14/205
D794,603	S *	8/2017	Riggs	D14/205
D795,218	S *	8/2017	Ohmachi	D14/205

* cited by examiner

FIG. 1

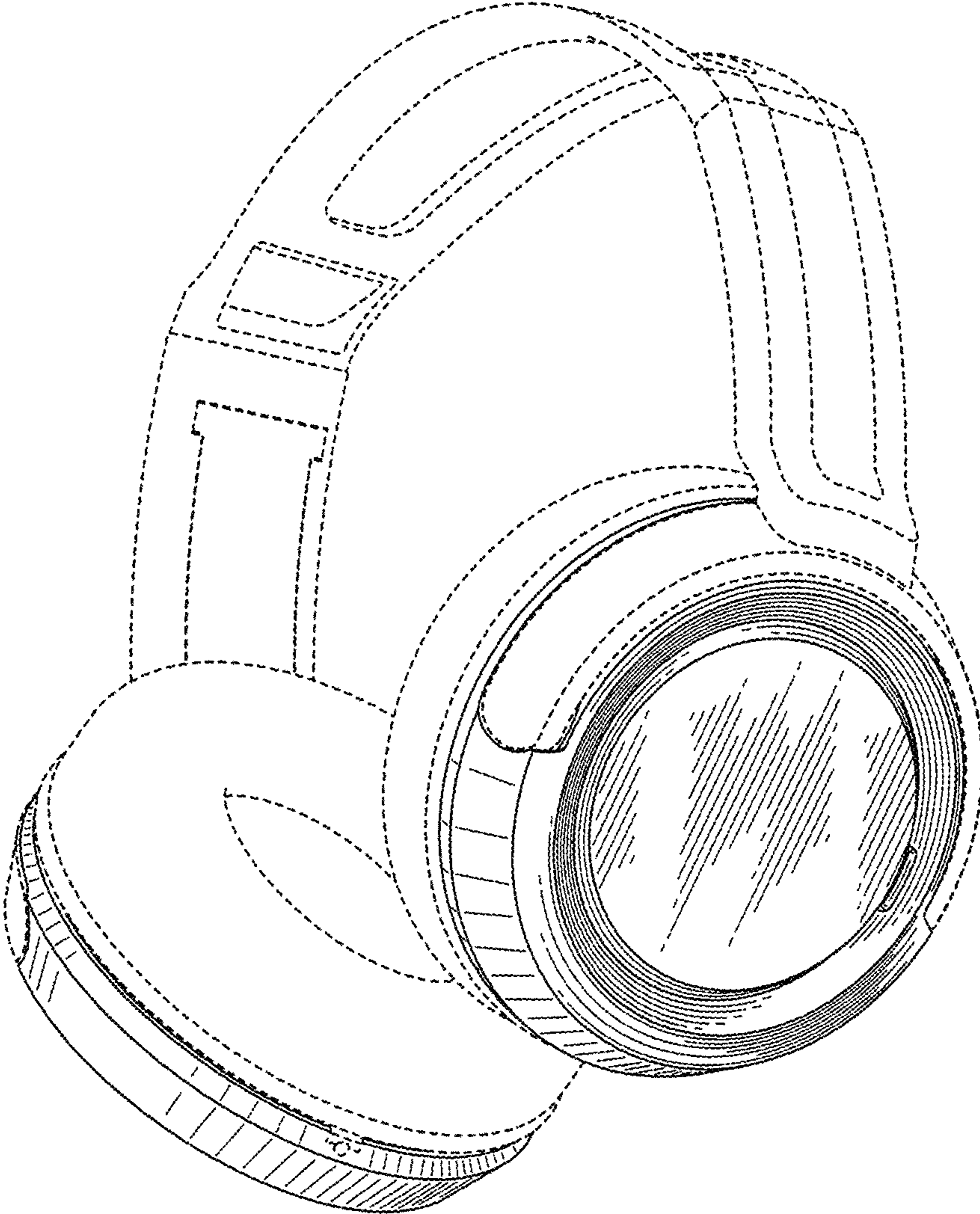


FIG. 2

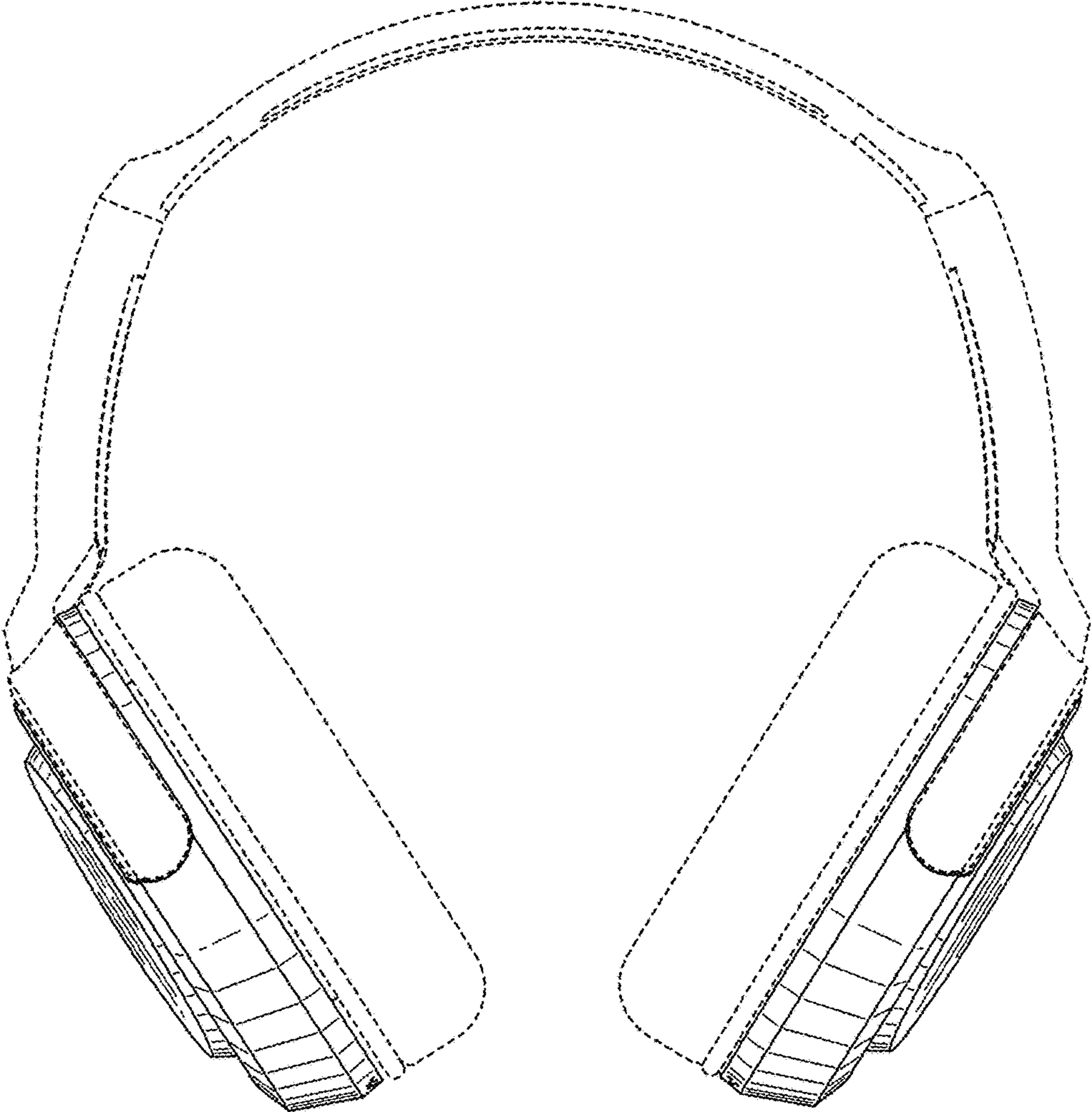


FIG. 3

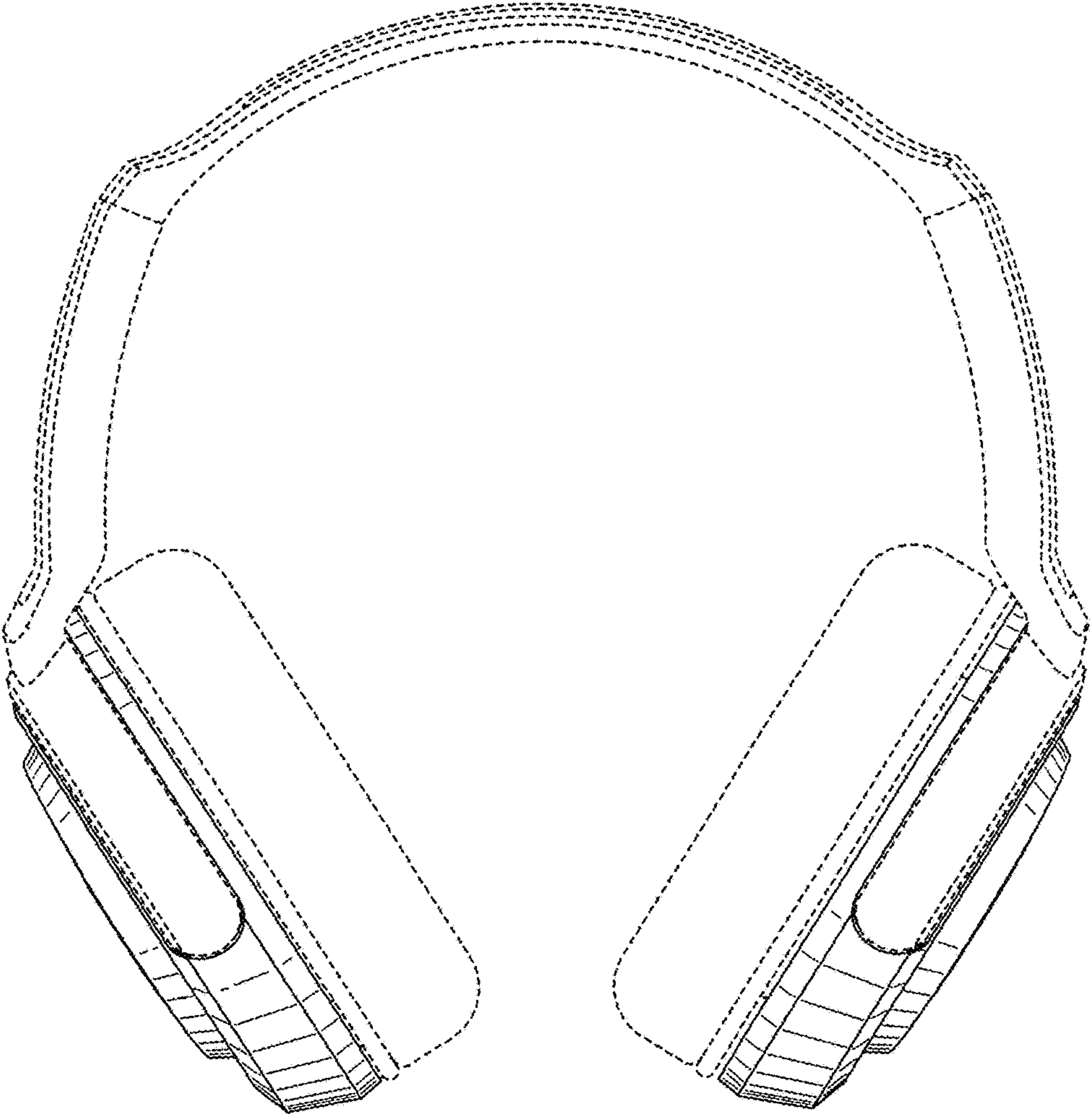


FIG. 4

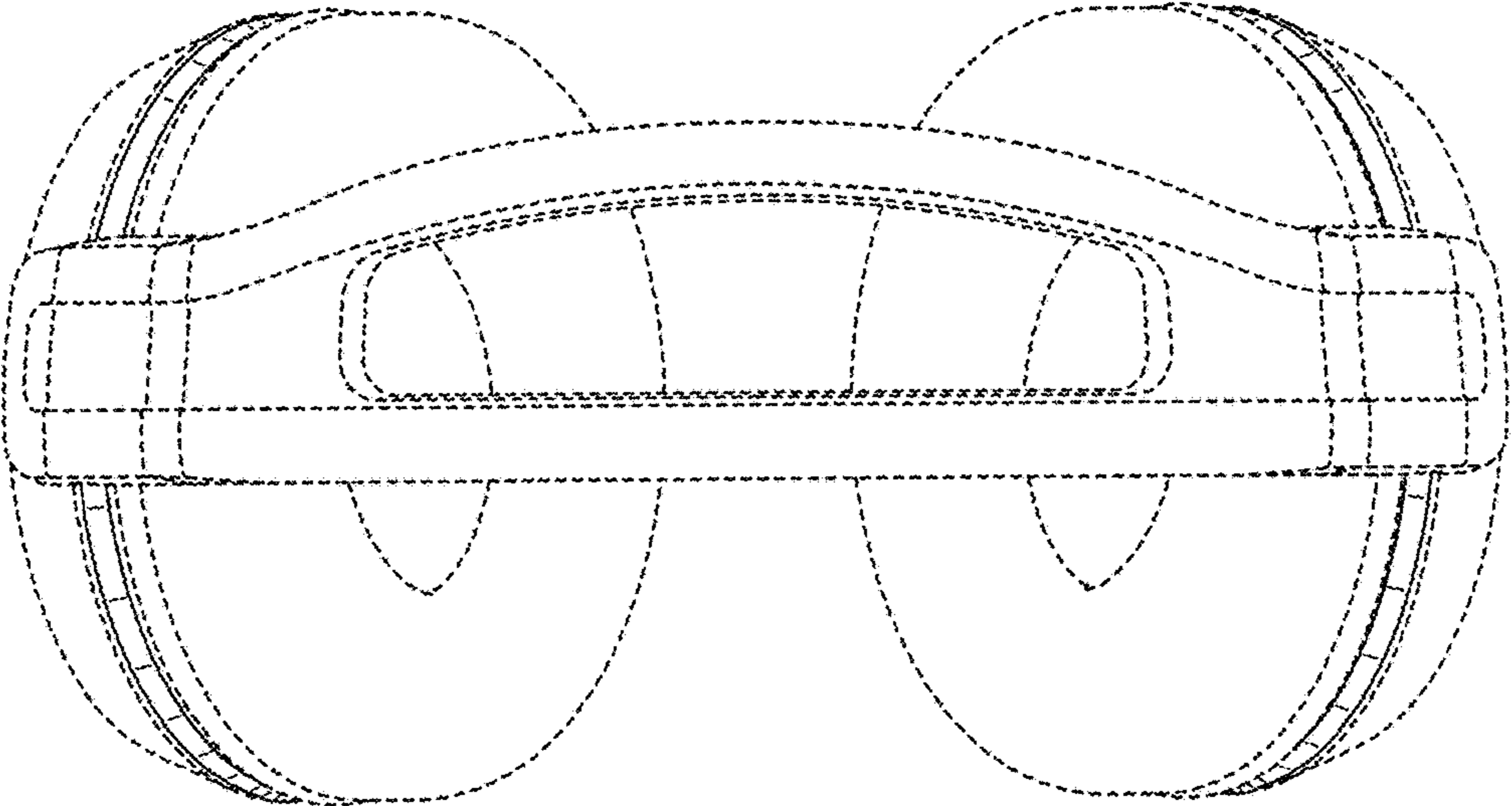


FIG. 5

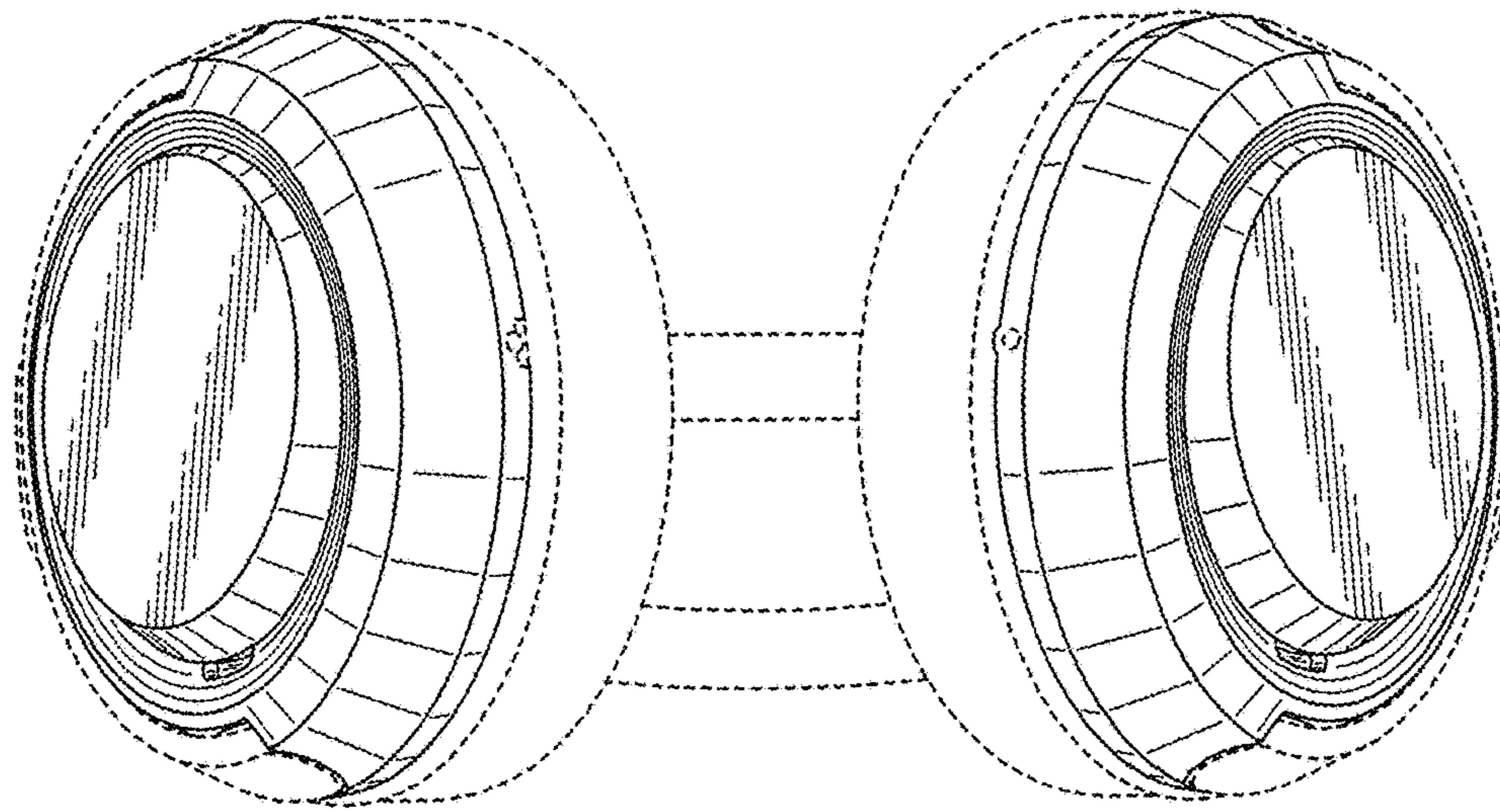


FIG. 6

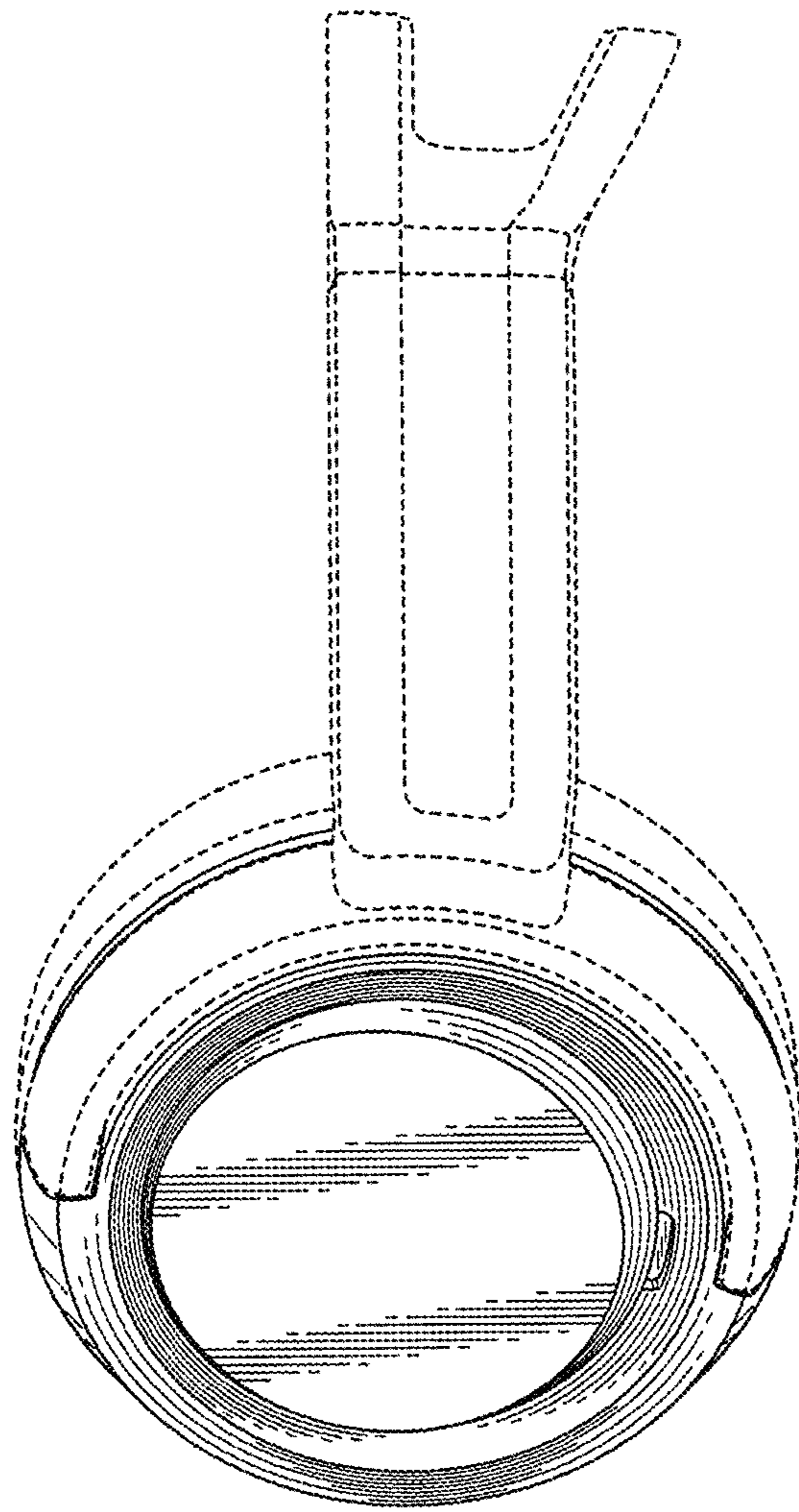


FIG. 7

