



US00D809477S

(12) **United States Design Patent**
Brunner et al.

(10) **Patent No.:** **US D809,477 S**
(45) **Date of Patent:** **** Feb. 6, 2018**

(54) **HEADSET**

(71) Applicant: **Apple Inc.**, Cupertino, CA (US)

(72) Inventors: **Robert Brunner**, San Francisco, CA (US); **Christopher Kuh**, San Francisco, CA (US)

(73) Assignee: **Apple Inc.**, Cupertino, CA (US)

(**) Term: **15 Years**

(21) Appl. No.: **29/568,227**

(22) Filed: **Jun. 16, 2016**

Related U.S. Application Data

(60) Continuation of application No. 29/527,761, filed on May 21, 2015, now Pat. No. Des. 760,688, which is a continuation of application No. 29/490,833, filed on May 14, 2014, now Pat. No. Des. 732,503, which is a continuation of application No. 29/471,109, filed on Oct. 28, 2013, now Pat. No. Des. 709,860, which is a division of application No. 29/410,584, filed on Jan. 9, 2012, now Pat. No. Des. 692,410.

(51) **LOC (11) Cl.** **14-01**

(52) **U.S. Cl.**
USPC **D14/205**

(58) **Field of Classification Search**
USPC D14/205, 223, 188, 192, 372; D29/112; 2/209; 181/129, 130, 135; 379/430, 431; 381/380, 381; 455/90.3, 575.1, 569.1
CPC H04R 1/1066; H04R 1/1016; H04R 5/033; H04R 5/0335; H04R 1/10
See application file for complete search history.

(56) **References Cited**

U.S. PATENT DOCUMENTS

1,066,511 A 7/1913 Markoff
1,367,746 A * 2/1921 Kent H04R 1/1008
181/129

2,149,341 A 3/1939 Harrison
3,104,398 A 9/1963 Tore
D203,677 S 2/1966 Spillman
D229,833 S * 1/1974 Becker D14/205
D244,300 S 5/1977 Besasie
4,173,715 A 11/1979 Gosman
D254,183 S 2/1980 Doodson
D254,876 S 5/1980 Reitenga et al.
D255,352 S * 6/1980 Besasie D14/205

(Continued)

FOREIGN PATENT DOCUMENTS

JP D1318386 5/1986
JP D1406347 10/1987

(Continued)

OTHER PUBLICATIONS

U.S. Appl. No. 29/504,827, filed Oct. 9, 2014; Brunner et al.
(Continued)

Primary Examiner — Paula Allen Greene
(74) *Attorney, Agent, or Firm* — Sterne, Kessler, Goldstein & Fox P.L.L.C.

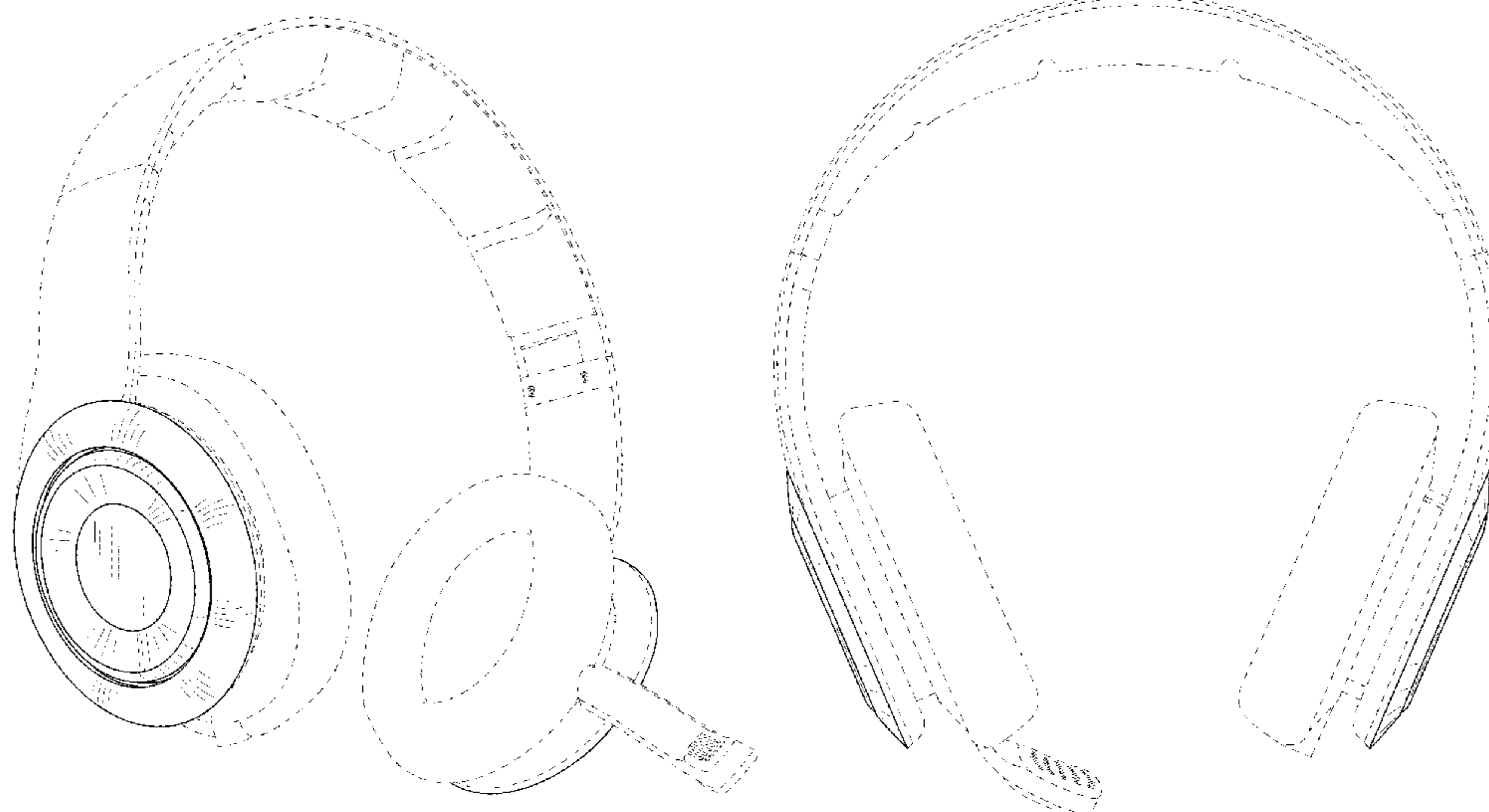
(57) **CLAIM**

The ornamental design for a headset, as shown and described.

DESCRIPTION

FIG. 1 is a front perspective view of a headset showing the claimed design;
FIG. 2 is a rear view thereof;
FIG. 3 is a bottom view thereof;
FIG. 4 is a front view thereof;
FIG. 5 is a right side view thereof; and,
FIG. 6 is a left side view thereof.
The broken lines in the figures show portions of the headset that form no part of the claimed design.

1 Claim, 6 Drawing Sheets



(56)

References Cited

U.S. PATENT DOCUMENTS

4,385,209 A * 5/1983 Greason H04M 1/03
307/400
4,404,445 A * 9/1983 Baran H01H 3/022
200/314
4,609,786 A 9/1986 Omoto et al.
D286,874 S * 11/1986 Bertagna D14/205
4,634,816 A 1/1987 O'Malley et al.
4,875,233 A 10/1989 Derhaag et al.
D313,092 S 12/1990 Nilsson
5,018,599 A 5/1991 Dohi et al.
5,035,005 A 7/1991 Hung
D328,074 S 7/1992 Yamazaki et al.
D328,461 S 8/1992 Daido et al.
D338,010 S 8/1993 Yamatogi
D351,172 S 10/1994 Nakamura et al.
D358,389 S 5/1995 Isono
D374,658 S * 10/1996 Bever D13/171
D375,825 S 11/1996 Whidden
D392,629 S 3/1998 Amafuji et al.
D394,649 S 5/1998 Pombo
5,812,680 A * 9/1998 Glendon H04R 25/60
381/322
D403,128 S 12/1998 Scanlon et al.
D420,356 S 2/2000 Suzuki
D422,592 S 4/2000 Deguchi
6,081,604 A 6/2000 Hikichi et al.
D430,140 S 8/2000 Roman
D435,249 S 12/2000 Yasutomi
6,163,615 A 12/2000 Callahan
6,195,839 B1 3/2001 Patterson et al.
D457,512 S 5/2002 Yoneda
6,449,806 B1 9/2002 Engelhard et al.
D468,723 S 1/2003 Pham et al.
D484,485 S 12/2003 Matsuoka
6,654,966 B2 12/2003 Rolla
D484,868 S 1/2004 Suzuki
6,678,897 B2 1/2004 Lindgren
D491,163 S 6/2004 Green
D502,938 S 3/2005 Tokioka et al.
D504,883 S 5/2005 Jacobson et al.
D512,381 S 12/2005 Sirichai et al.
D512,417 S * 12/2005 Hirakawa D14/223
D512,708 S 12/2005 Harris, Jr. et al.
D512,981 S 12/2005 Jacobson et al.
D517,043 S 3/2006 Jacobson et al.
7,072,483 B2 7/2006 Lenhard-Backhaus
D532,407 S 11/2006 Motoishi
D534,155 S 12/2006 Obata
D534,156 S 12/2006 Obata
D539,788 S 4/2007 Thompson et al.
D540,301 S 4/2007 Obata
D540,303 S 4/2007 Rausch et al.
D541,255 S 4/2007 Taylor et al.
D541,256 S 4/2007 Rausch et al.
D541,257 S 4/2007 Thursfield
D552,077 S 10/2007 Brunner et al.
D557,684 S 12/2007 Pundsack et al.
D560,654 S 1/2008 Feng
D563,382 S 3/2008 Wikel et al.
D563,995 S 3/2008 Deguchi et al.
7,356,362 B2 * 4/2008 Chang H04R 1/1033
379/430
D582,890 S 12/2008 Koza et al.
D584,715 S 1/2009 Brennwald
D585,870 S 2/2009 Meng et al.
D585,871 S 2/2009 Lee
D585,872 S 2/2009 Lee
D588,098 S 3/2009 Kurihara
D588,100 S 3/2009 Densho et al.
D591,263 S 4/2009 Shimizu
D592,182 S 5/2009 Sanguinetti
D592,640 S 5/2009 Tkachuk
D593,995 S 6/2009 Shimizu
D600,674 S 9/2009 Brennwald
D603,370 S 11/2009 Suzuki

D603,371 S 11/2009 Boateng et al.
D616,865 S 6/2010 Marchand et al.
D617,769 S 6/2010 Birger
7,735,154 B2 6/2010 Gellis et al.
D625,705 S 10/2010 Ogori et al.
D632,668 S 2/2011 Brunner et al.
D633,896 S 3/2011 Kondo et al.
D635,959 S 4/2011 Hutchieson
D637,176 S 5/2011 Brunner et al.
D637,998 S 5/2011 Brunner et al.
D637,999 S 5/2011 Brunner et al.
D638,000 S 5/2011 Hoggarth
D639,776 S 6/2011 Arimoto
D641,725 S 7/2011 Chong et al.
D648,330 S 11/2011 Fischer
D652,017 S 1/2012 Groves et al.
D652,405 S 1/2012 Lee et al.
D652,406 S 1/2012 Lee et al.
D654,471 S 2/2012 Fischer
D654,472 S 2/2012 Fischer
D657,344 S 4/2012 Brunner et al.
D657,345 S 4/2012 Brunner et al.
D657,776 S 4/2012 Lee et al.
D660,823 S 5/2012 Hardi et al.
D660,824 S 5/2012 Hardi et al.
D660,826 S 5/2012 Brunner et al.
D662,490 S 6/2012 McSweyn
D663,716 S 7/2012 Hardi et al.
D673,136 S 12/2012 Kelly et al.
D673,518 S 1/2013 Tan
D673,520 S 1/2013 Tan
D674,767 S 1/2013 Brunner et al.
D675,595 S 2/2013 Cho et al.
D677,647 S * 3/2013 Lee D14/205
D683,329 S 5/2013 Hagelin
D691,112 S 10/2013 Brunner et al.
D691,579 S * 10/2013 Lee D14/205
D691,984 S 10/2013 Wang
D692,410 S * 10/2013 Brunner H04S 1/005
D14/206
D693,791 S 11/2013 Troy
D698,749 S 2/2014 Brunner et al.
D709,860 S * 7/2014 Brunner H04S 1/005
D14/205
D711,348 S 8/2014 Yang
D716,760 S * 11/2014 Brunner D14/206
D732,503 S * 6/2015 Brunner H04S 1/005
D14/205
D760,688 S * 7/2016 Brunner H04S 1/005
D14/206
D764,435 S * 8/2016 Brunner D14/205
2003/0182713 A1 10/2003 Rolla
2004/0216946 A1 11/2004 Lenhard-Backhaus
2005/0053255 A1 3/2005 Harris et al.
2005/0226452 A1 10/2005 Amae et al.
2006/0001307 A1 1/2006 Embach
2006/0062417 A1 3/2006 Tachikawa et al.
2006/0104471 A1 5/2006 Tsunoda et al.
2008/0056525 A1 3/2008 Fujiwara et al.
2009/0220118 A1 9/2009 Meier et al.
2010/0128884 A1 5/2010 Sapiejewski et al.
2010/0284558 A1 11/2010 Kimura et al.
2011/0206216 A1 8/2011 Brunner et al.
2011/0249856 A1 * 10/2011 Takei H04R 1/1016
381/380
2014/0211976 A1 7/2014 Brunner et al.

FOREIGN PATENT DOCUMENTS

JP D1430542 3/1988
KR 30-0476152 1/2008
WO WO 2007103561 A2 9/2007
WO WO 2012094176 A2 7/2012

OTHER PUBLICATIONS

Search Report and Written Opinion for PCT Application No. PCT/US11/67045 dated Sep. 27, 2012.

(56)

References Cited

OTHER PUBLICATIONS

Office Action dated Mar. 31, 2011 for Taiwan patent Application No. 099303306.

Taiwan Office Action for Taiwan Application No. 101303990 dated Aug. 26, 2013.

Taiwan Office Action for Taiwan Application No. 101301117 dated Aug. 26, 2013.

Taiwan Office Action for Taiwan Application No. 102302000 dated Aug. 26, 2013.

Office Action dated Dec. 10, 2010 for Russian Report Application No. 2010501890.

Search Report dated Mar. 31, 2011 for Taiwan Patent Application No. 099303306.

* cited by examiner

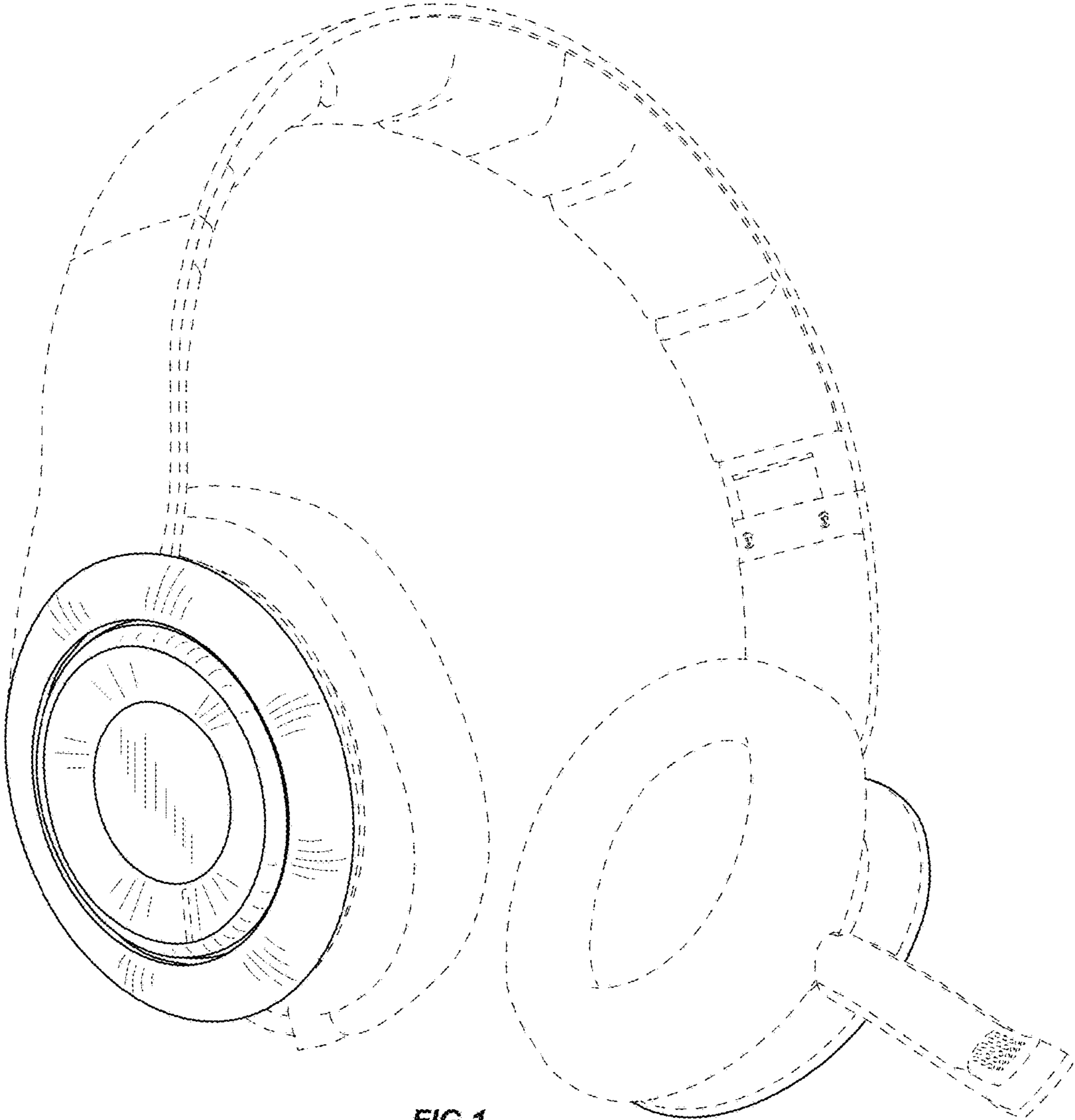


FIG. 1

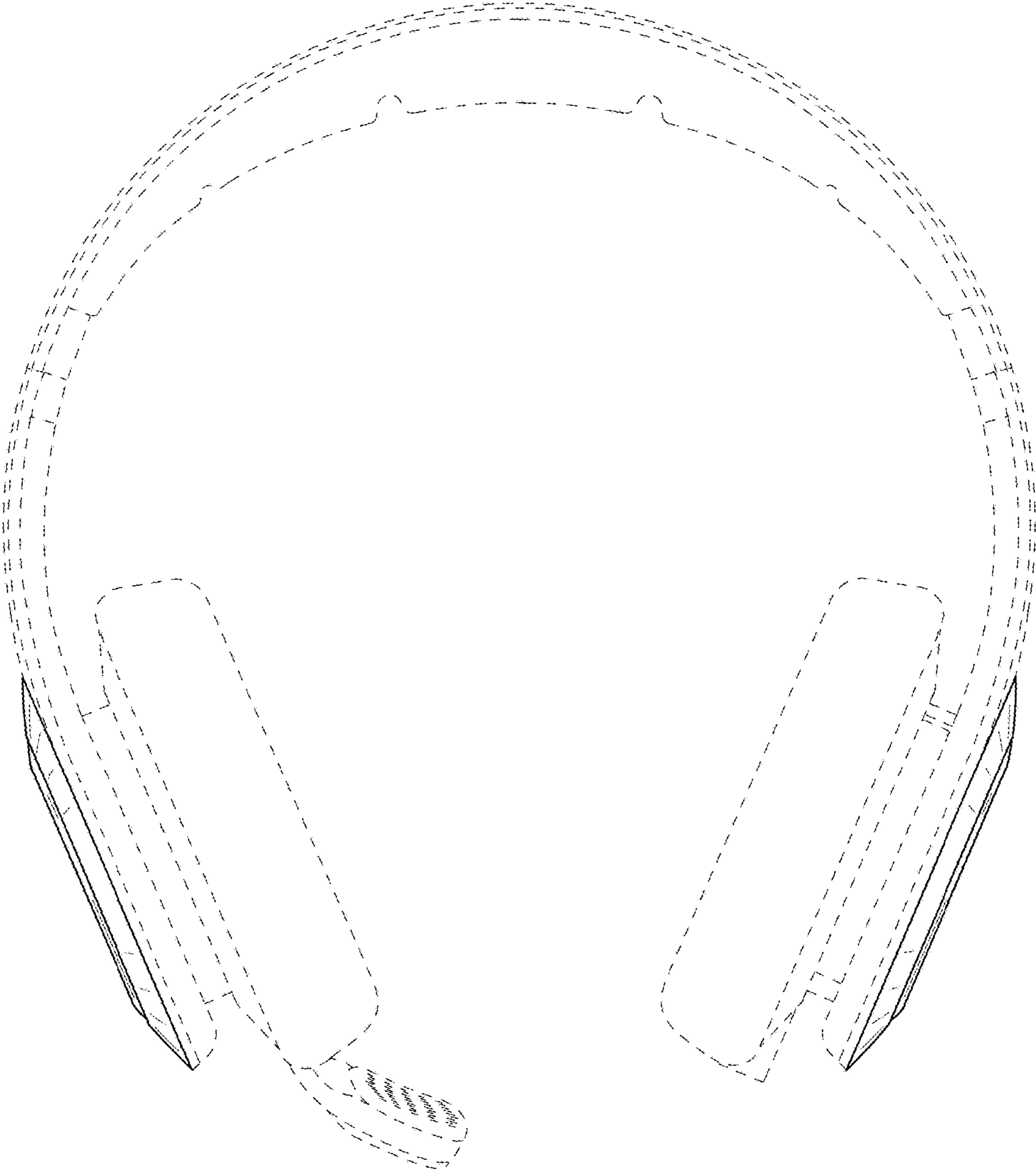


FIG.2

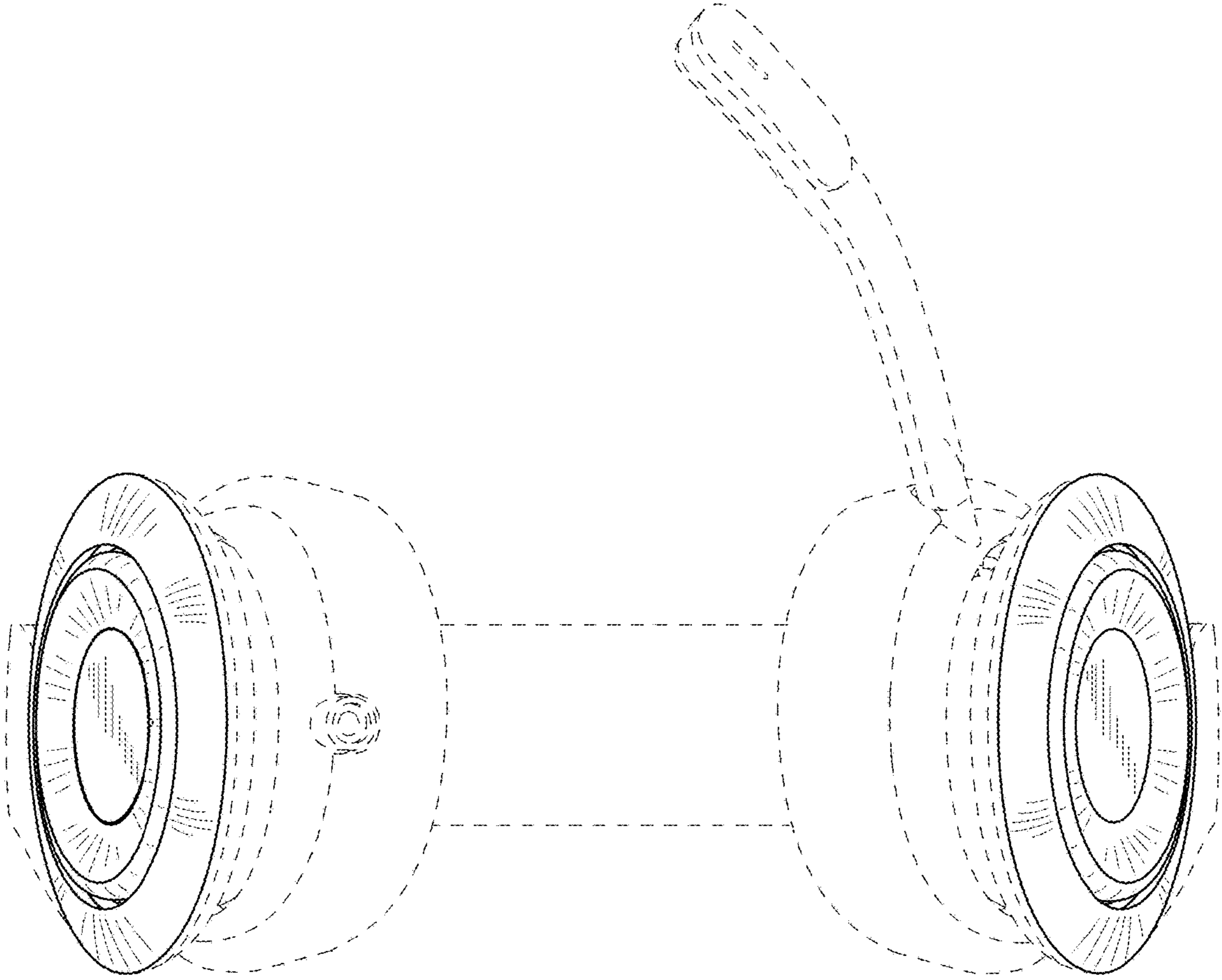


FIG.3

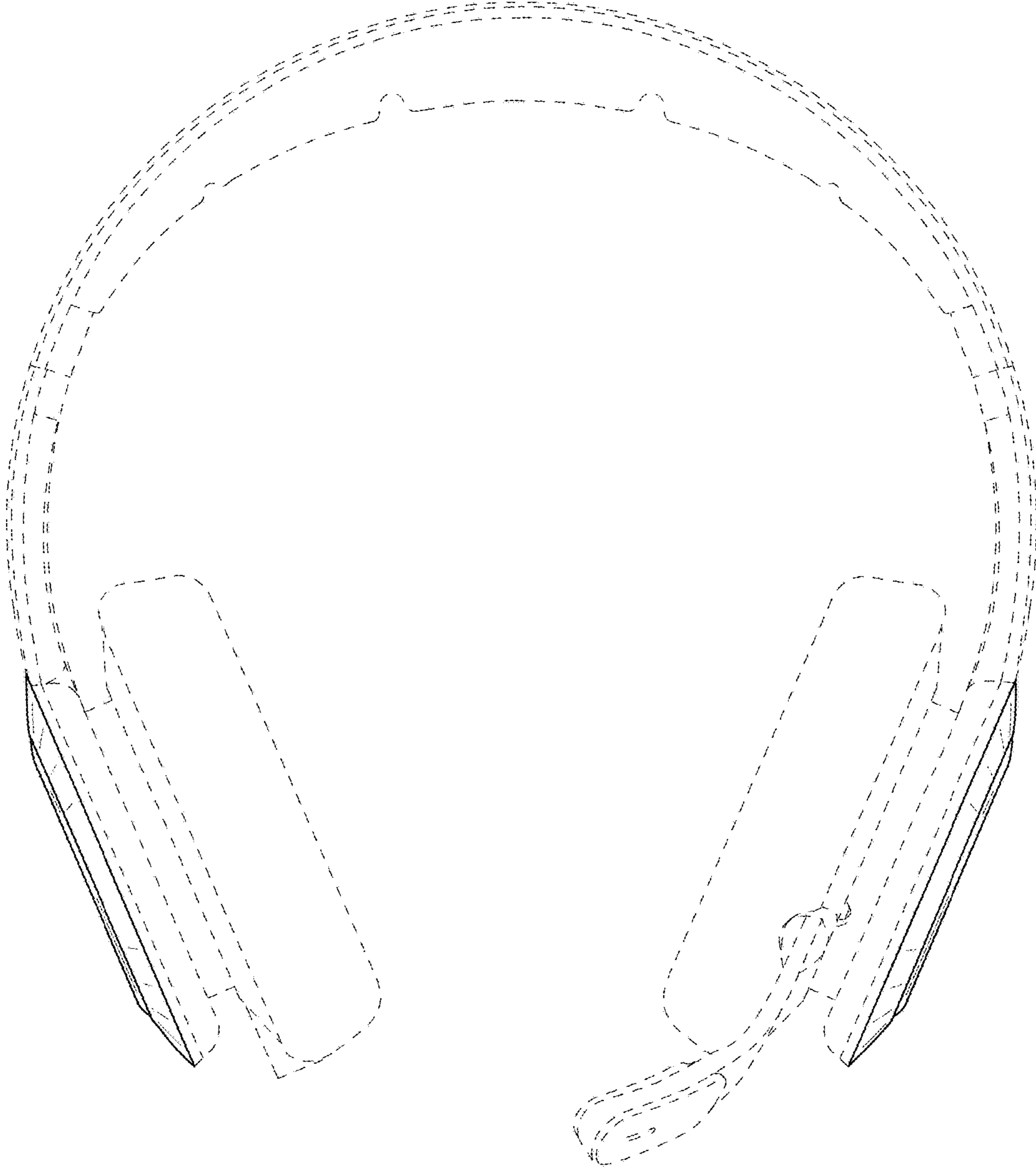


FIG.4

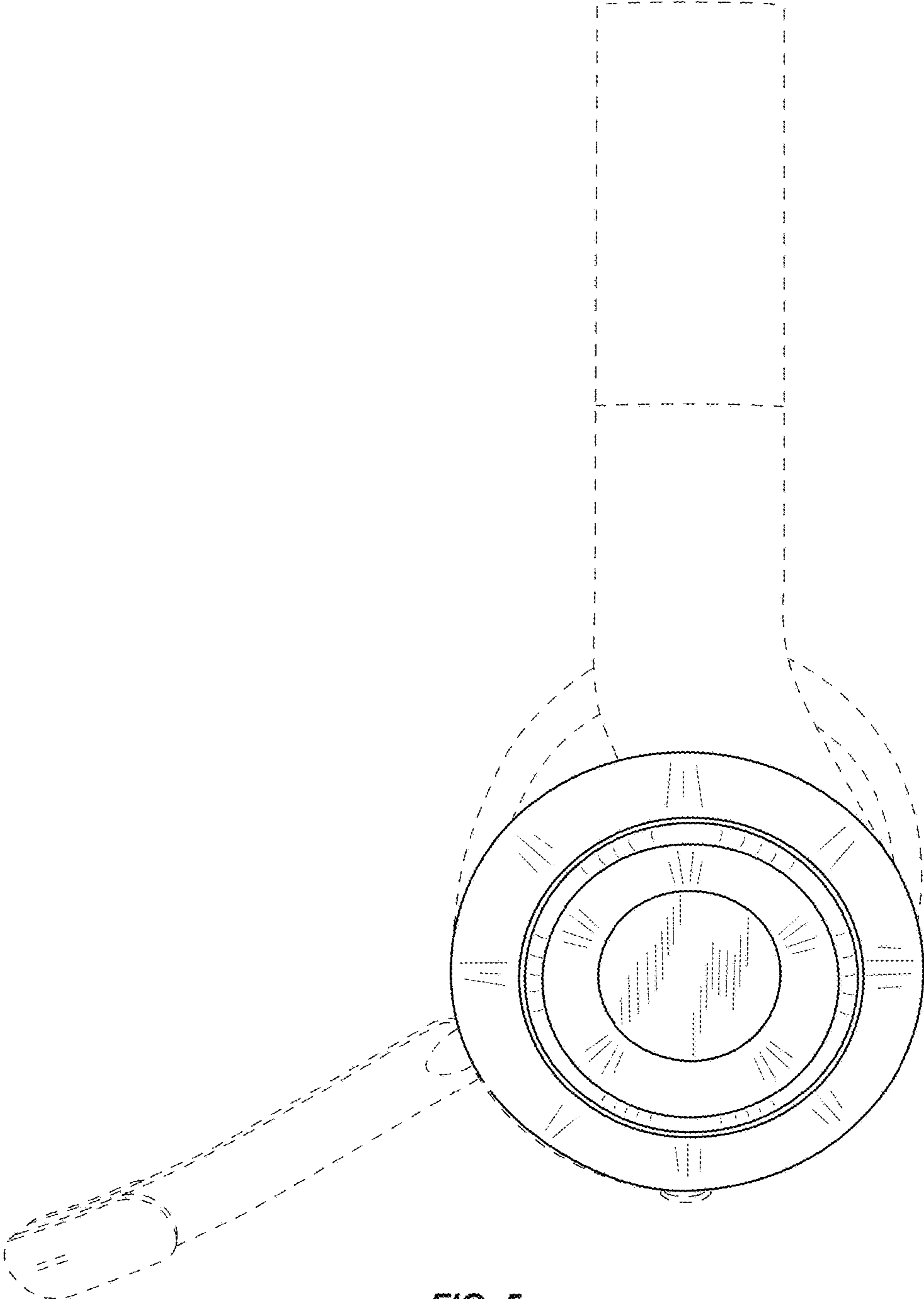


FIG. 5

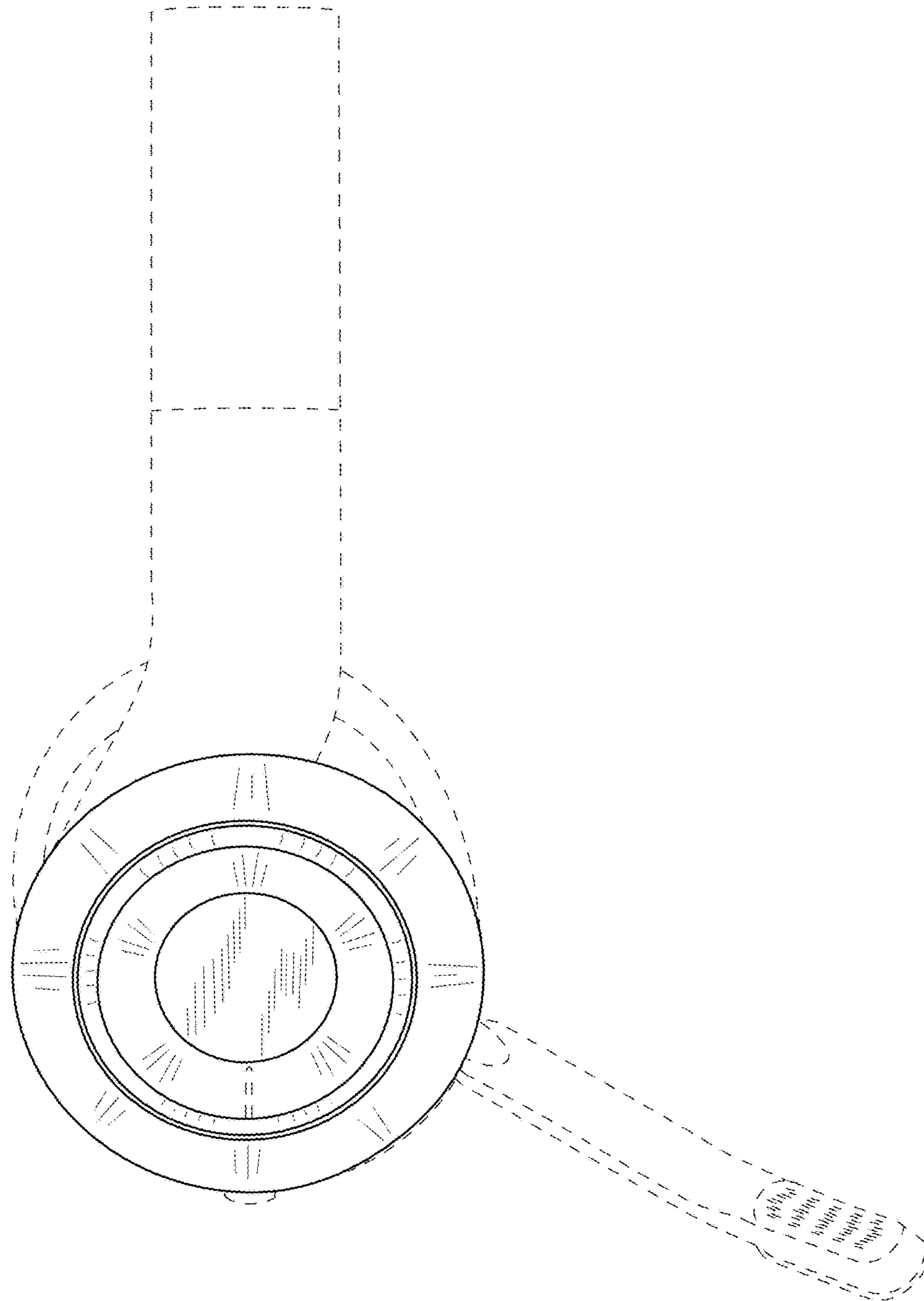


FIG. 6