



US00D809476S

(12) **United States Design Patent**
Summerson et al.

(10) **Patent No.:** **US D809,476 S**

(45) **Date of Patent:** **** Feb. 6, 2018**

- (54) **SET OF HEADPHONES**
- (71) Applicant: **Bose Corporation**, Framingham, MA (US)
- (72) Inventors: **Paul Summerson**, Berlin, MA (US); **Julie E. Tierney**, Shrewsbury, MA (US); **Nathan David Schaal**, Cambridge, MA (US); **Adam A. Carr**, Southborough, MA (US); **Mitchell Joseph Silva**, Groton, MA (US); **Sebastian Garcia**, Boston, MA (US); **Stephen D. Boyle**, Newton, MA (US); **Joshua Kevin Dryden**, Marlborough, MA (US)
- (73) Assignee: **Bose Corporation**, Framingham, MA (US)
- (**) Term: **15 Years**
- (21) Appl. No.: **29/559,975**
- (22) Filed: **Apr. 1, 2016**
- (51) **LOC (11) Cl.** **14-01**
- (52) **U.S. Cl.**
USPC **D14/205**
- (58) **Field of Classification Search**
USPC D14/205; D29/112; 2/209; 181/129, 181/130, 135; 379/430, 431; 381/74, 381/380, 381, 375, 378, 374; 455/90.3, 455/575.1
CPC H04R 1/1066; H04R 1/1016; H04R 1/10; H04R 25/00; H04R 5/033; H04R 5/0335
See application file for complete search history.

(56) **References Cited**

U.S. PATENT DOCUMENTS

- D244,037 S * 4/1977 Warner D14/205
- 4,459,707 A * 7/1984 Stallings A61F 11/14
181/129

- 5,018,599 A * 5/1991 Dohi H04R 1/1008
181/129
- D336,646 S * 6/1993 Yamazaki D14/205
- D337,115 S * 7/1993 Yamazaki D14/205
- D347,434 S * 5/1994 Yamatogi D14/205
- D348,465 S * 7/1994 Yamatogi D14/205
- D351,172 S * 10/1994 Nakamura D14/205
- D358,388 S * 5/1995 Nakamura D14/205
- D390,564 S * 2/1998 Savona D14/205
- D435,537 S * 12/2000 Yuyama D14/205
- D457,874 S * 5/2002 Yoneda D14/205
- D505,411 S * 5/2005 Sakai D14/192
- D534,155 S * 12/2006 Obata D14/205
- D540,301 S * 4/2007 Obata D14/205
- D541,257 S * 4/2007 Thursfield D14/205
- D591,263 S * 4/2009 Shimizu D14/205
- D594,847 S * 6/2009 Suzuki D14/205
- D600,674 S * 9/2009 Brennwald D14/205
- D603,371 S * 11/2009 Boateng D14/205
- D625,705 S * 10/2010 Ohoi D14/205
- D635,959 S * 4/2011 Hutchieson D14/205

(Continued)

Primary Examiner — Paula Allen Greene

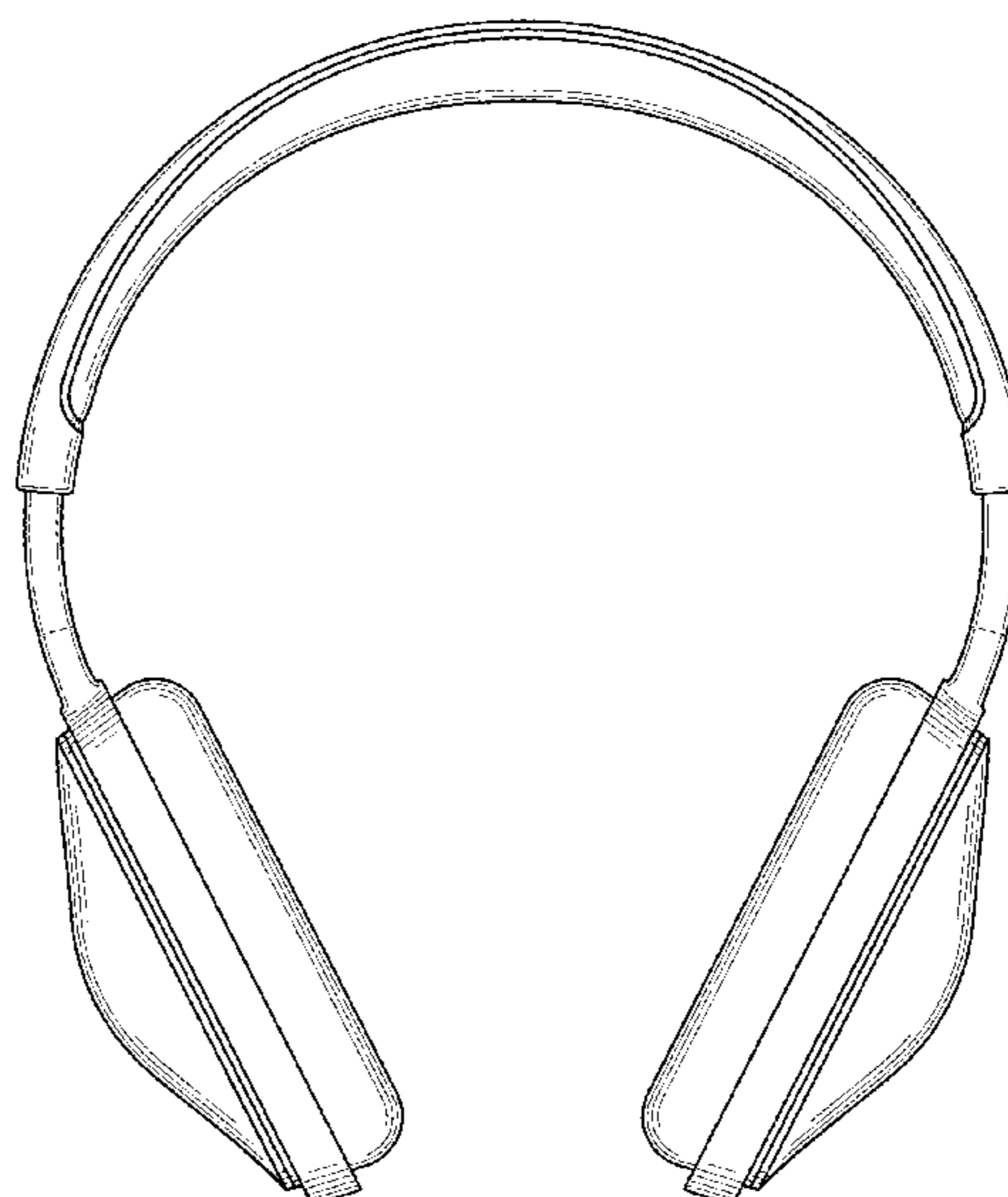
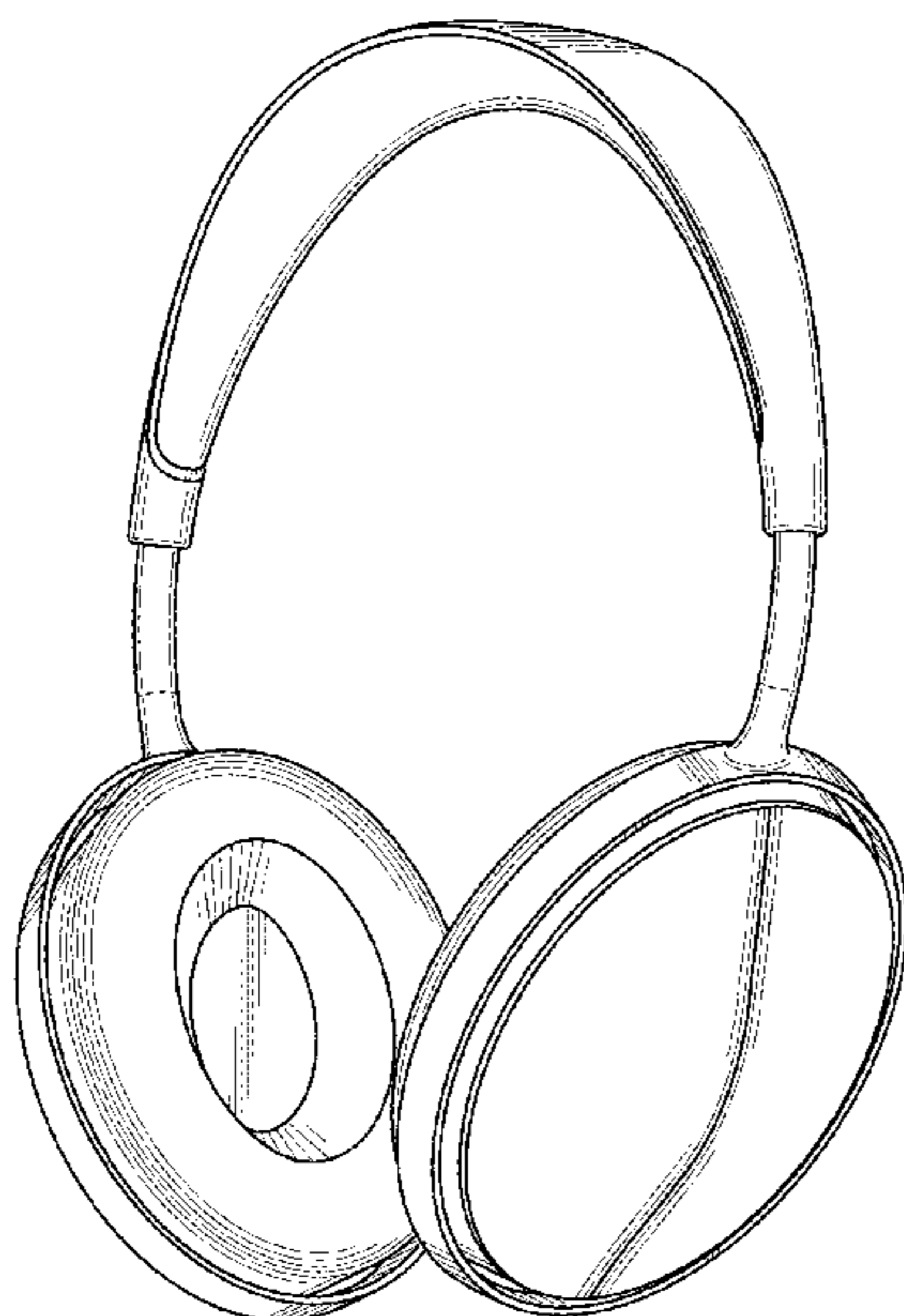
(57) **CLAIM**

The ornamental design for set of headphones, substantially as shown and described.

DESCRIPTION

FIG. 1 is a perspective view of a set of headphones as seen from the front and left side;
 FIG. 2 is a front view thereof;
 FIG. 3 is a back view thereof;
 FIG. 4 is a top view thereof;
 FIG. 5 is a bottom view thereof;
 FIG. 6 is a left side view thereof; and,
 FIG. 7 is a right side view thereof.
 The dotted line portions of the drawings represent environmental structure only and do not form part of the claimed design.

1 Claim, 5 Drawing Sheets



(56)

References Cited

U.S. PATENT DOCUMENTS

D637,997 S *	5/2011	Peller	D14/205
D683,329 S *	5/2013	Hagelin	D14/205
D683,717 S *	6/2013	Kelly	D14/205
D684,141 S *	6/2013	Takamoto	D14/205
D697,048 S *	1/2014	Pavitsich	D14/205
D699,702 S *	2/2014	Chen	D14/205
D708,163 S *	7/2014	Ishikura	D14/205
D721,052 S	1/2015	Carr et al.	
D721,055 S *	1/2015	Sparks	D14/206
D722,041 S *	2/2015	Sparks	D14/206
D724,562 S *	3/2015	Sparks	D14/206
D733,090 S *	6/2015	Petersen	D14/205
D735,161 S *	7/2015	Sparks	D14/205
D737,799 S	9/2015	Carr et al.	

* cited by examiner



FIG. 1

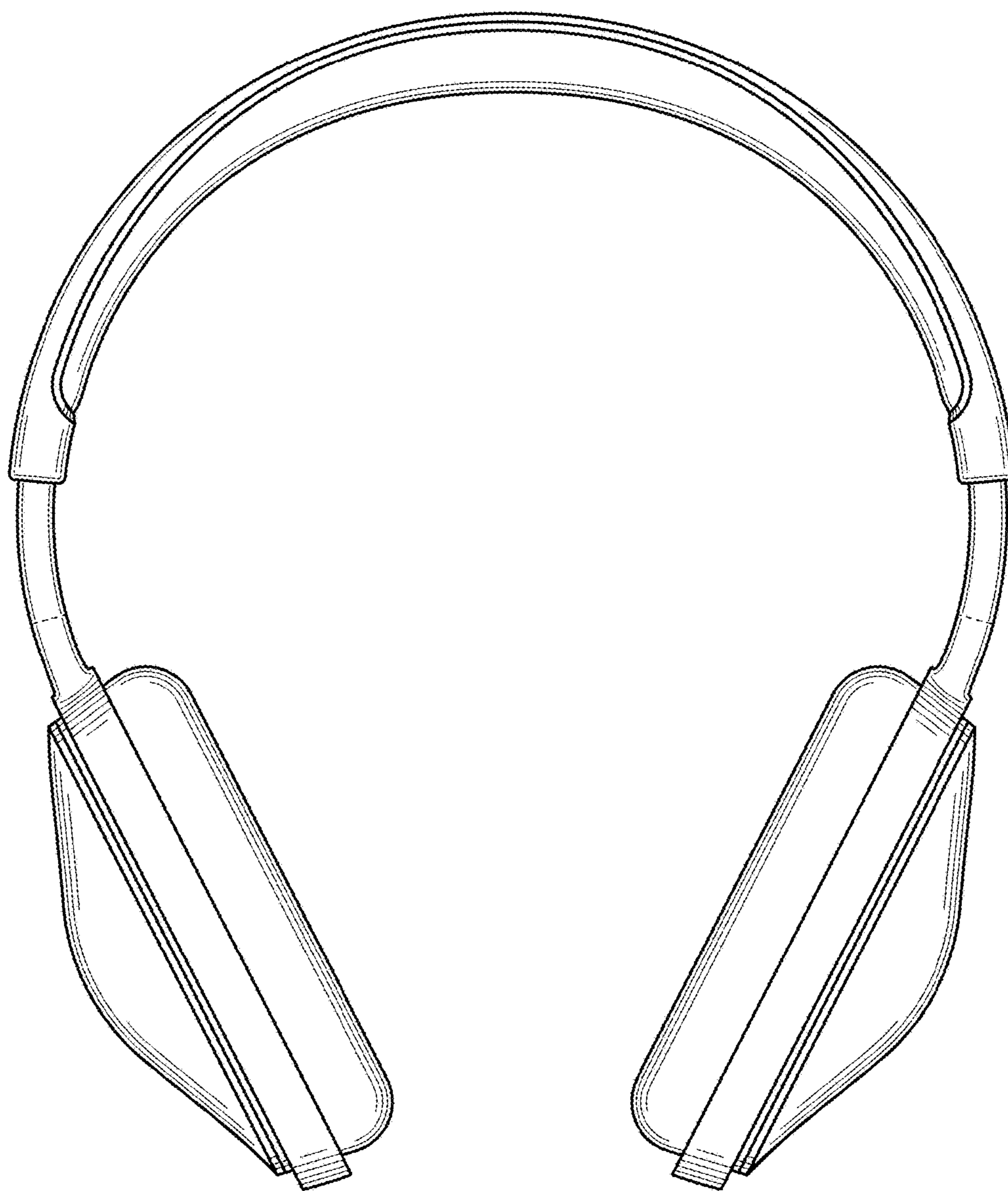


FIG. 2

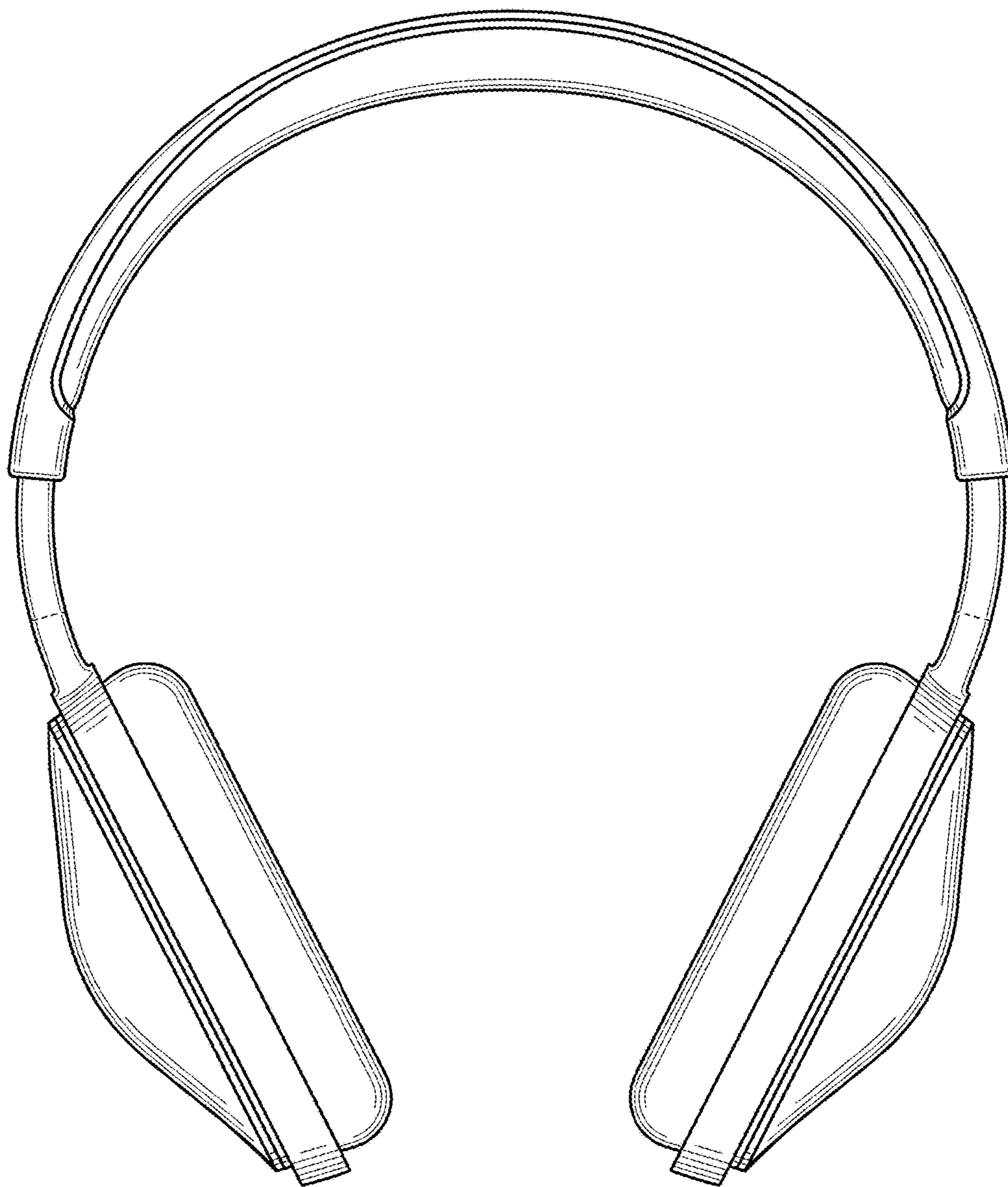


FIG. 3

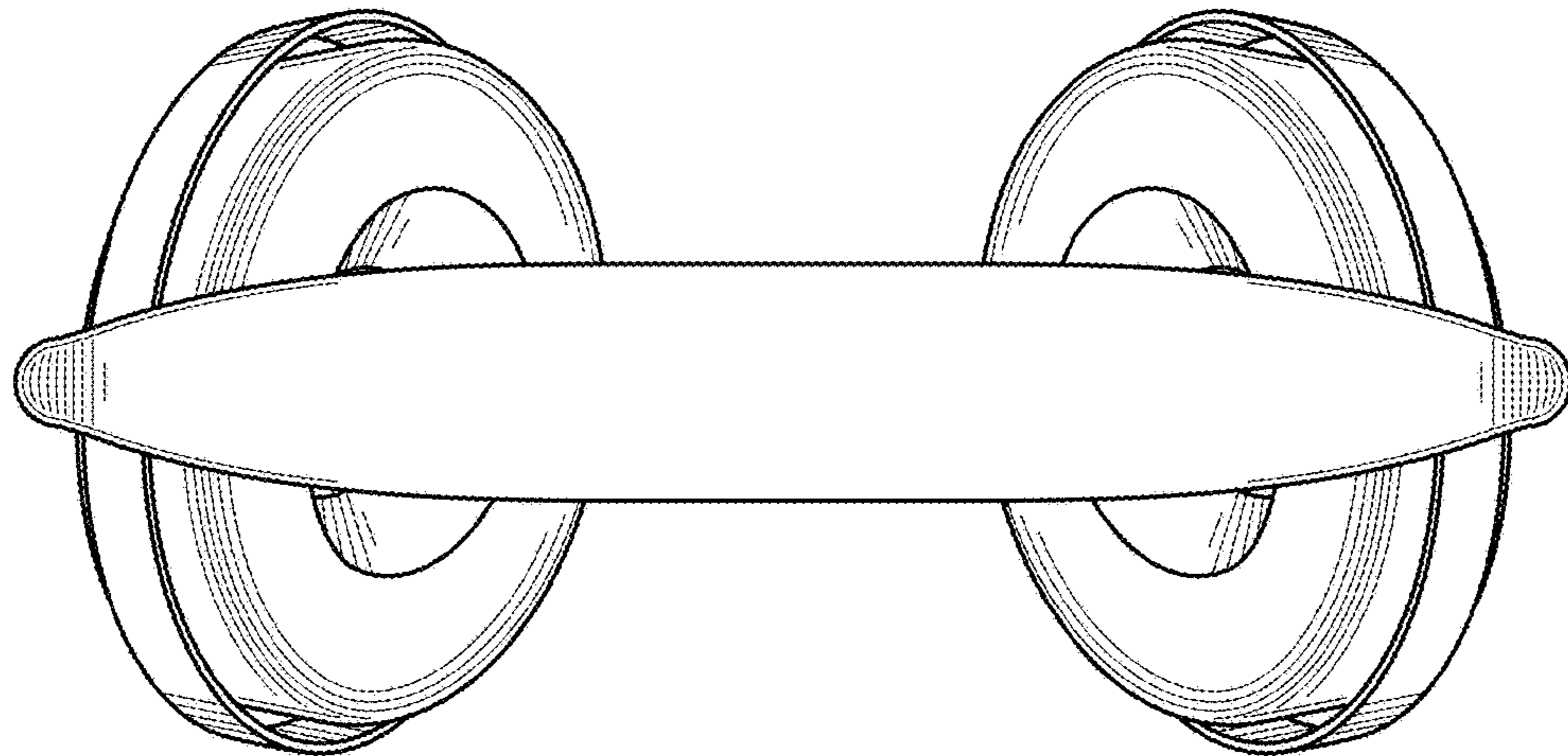


FIG. 4

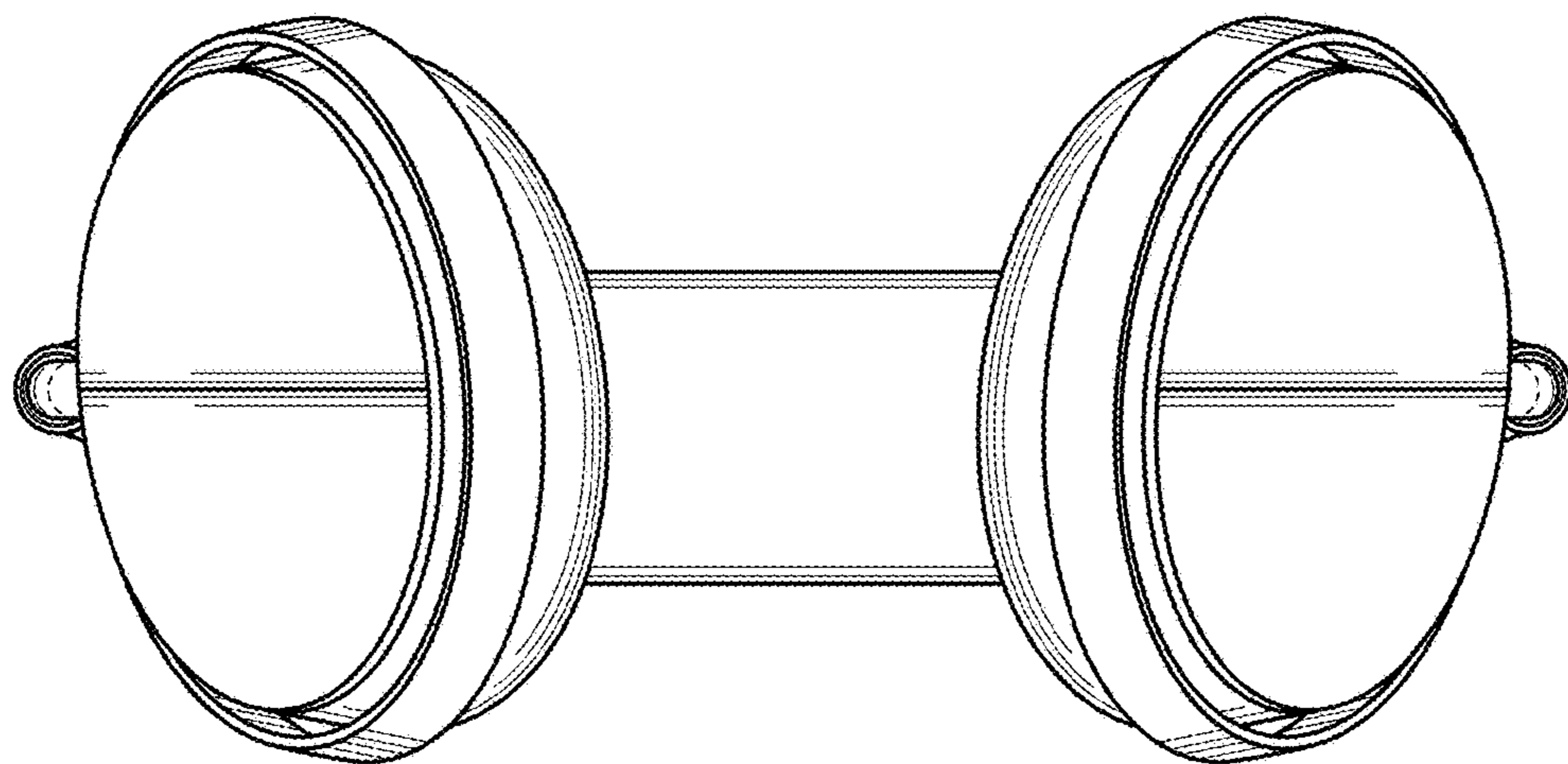


FIG. 5

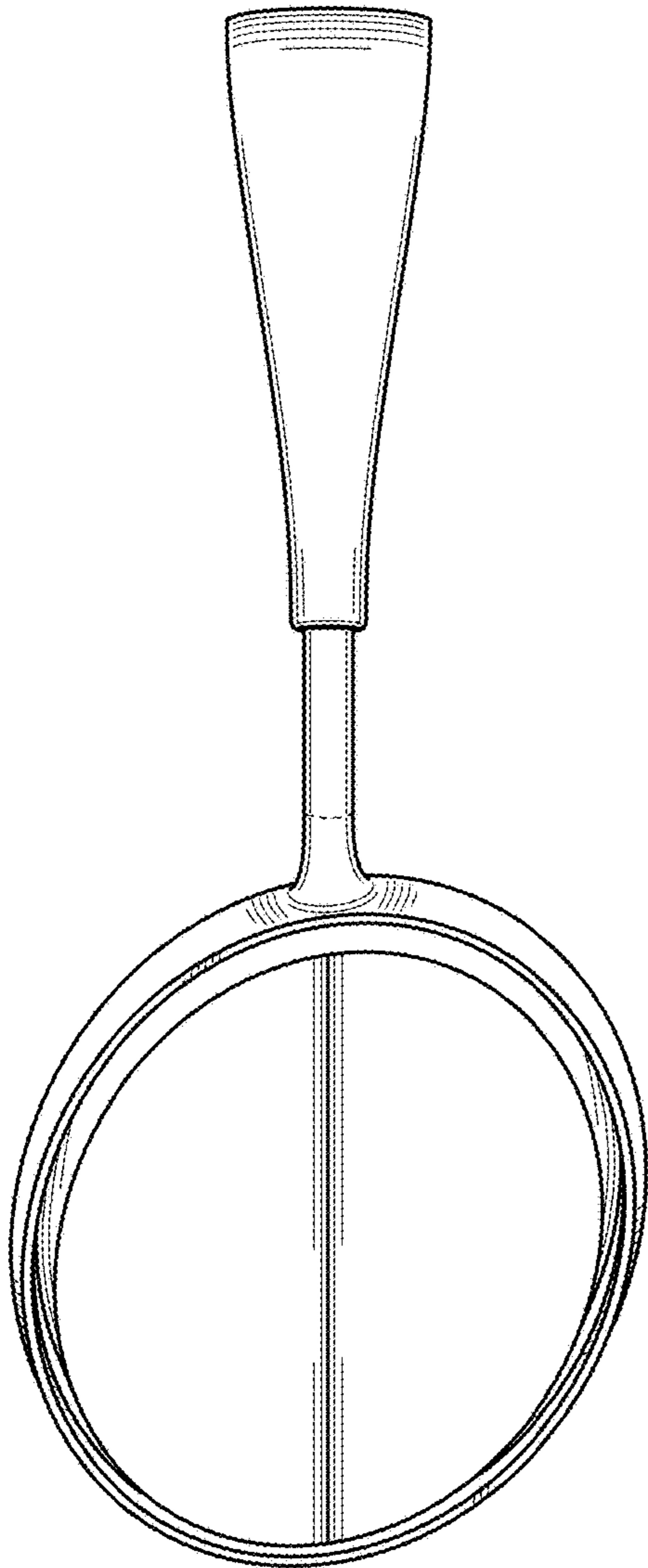


FIG. 6

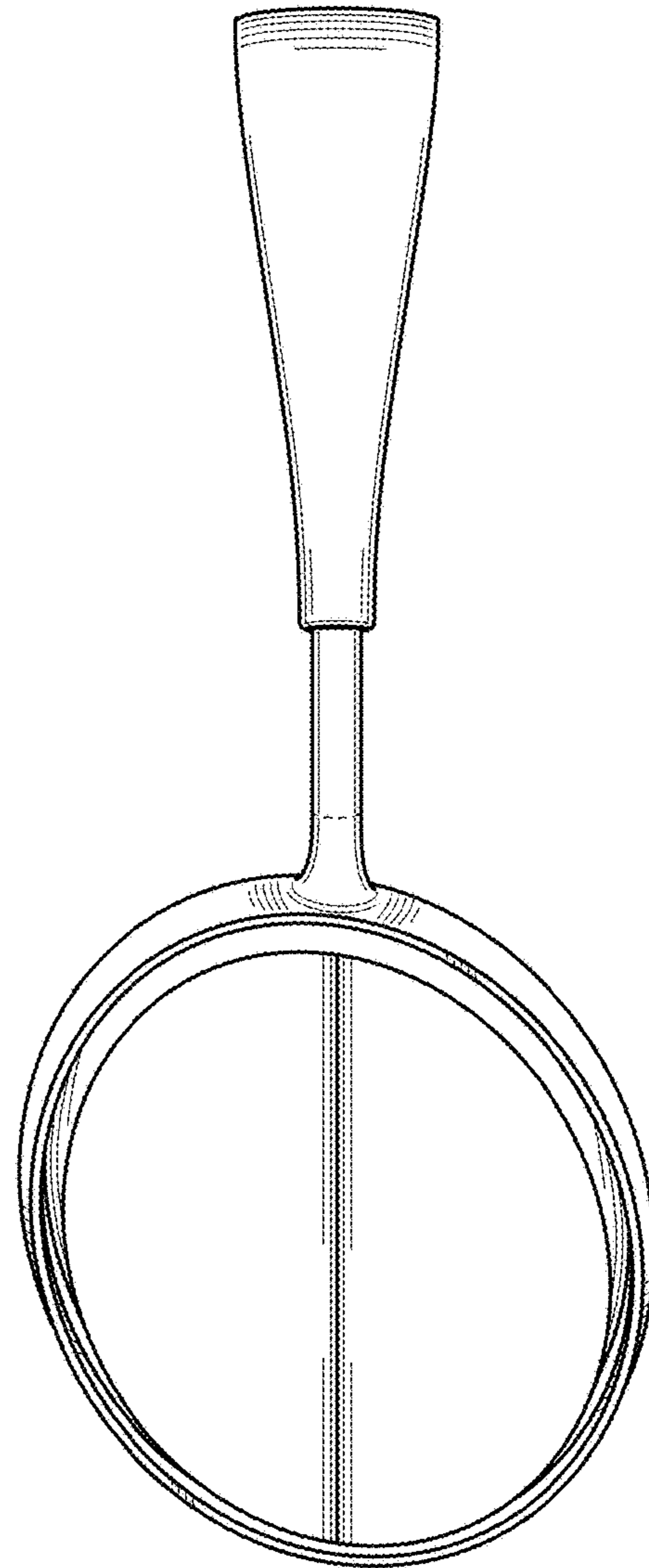


FIG. 7