



US00D809475S

(12) **United States Design Patent**
Dryden et al.

(10) **Patent No.:** **US D809,475 S**
(45) **Date of Patent:** **** Feb. 6, 2018**

- (54) **SET OF HEADPHONES**
- (71) Applicant: **Bose Corporation**, Framingham, MA (US)
- (72) Inventors: **Joshua Kevin Dryden**, Marlborough, MA (US); **Julie E. Tierney**, Shrewsbury, MA (US); **Nathan David Schaal**, Cambridge, MA (US); **Adam A. Carr**, Southborough, MA (US); **Mitchell Joseph Silva**, Groton, MA (US); **Sebastian Garcia**, Boston, MA (US); **Joel H. Miller**, Westborough, MA (US); **Gustavo Fontana**, Framingham, MA (US); **Stephen D. Boyle**, Newton, MA (US)
- (73) Assignee: **Bose Corporation**, Framingham, MA (US)
- (**) Term: **15 Years**
- (21) Appl. No.: **29/559,968**
- (22) Filed: **Apr. 1, 2016**
- (51) **LOC (11) Cl.** **14-01**
- (52) **U.S. Cl.**
USPC **D14/205**
- (58) **Field of Classification Search**
USPC D14/205; D29/112; 2/209; 181/129, 181/130, 135; 379/430, 431; 381/380, 381/381, 378, 74, 375, 374; 455/90.3, 455/575.1, 569.1
CPC H04R 1/1066; H04R 1/1016; H04R 1/10; H04R 25/00; H04R 5/033; H04R 5/0335
See application file for complete search history.

- (56) **References Cited**
U.S. PATENT DOCUMENTS
2,437,049 A * 3/1948 Salisbury A61F 11/14
128/866
D246,259 S * 11/1977 Nishimura D14/205

- 4,597,469 A * 7/1986 Nagashima H04R 5/0335
181/129
- D292,205 S * 10/1987 Kikutani 381/378
- D300,133 S * 3/1989 Daidoh D14/205
- D328,074 S * 7/1992 Yamazaki D14/205
- D376,598 S * 12/1996 Hayashi D14/205
- 5,587,286 A * 12/1996 Pahunski C07K 1/36
435/232
- 5,809,573 A * 9/1998 Bary A61F 7/03
128/866
- 6,016,574 A * 1/2000 Chen A45D 8/36
128/866
- 6,093,202 A * 7/2000 Dyken A61F 7/02
607/108
- D435,537 S * 12/2000 Yuyama D14/205
- D471,176 S * 3/2003 Suzuki D14/205
- D534,156 S * 12/2006 Obata D14/205
- D540,777 S * 4/2007 Rausch D14/205
- D541,256 S * 4/2007 Rausch D14/205

(Continued)

Primary Examiner — Paula Allen Greene

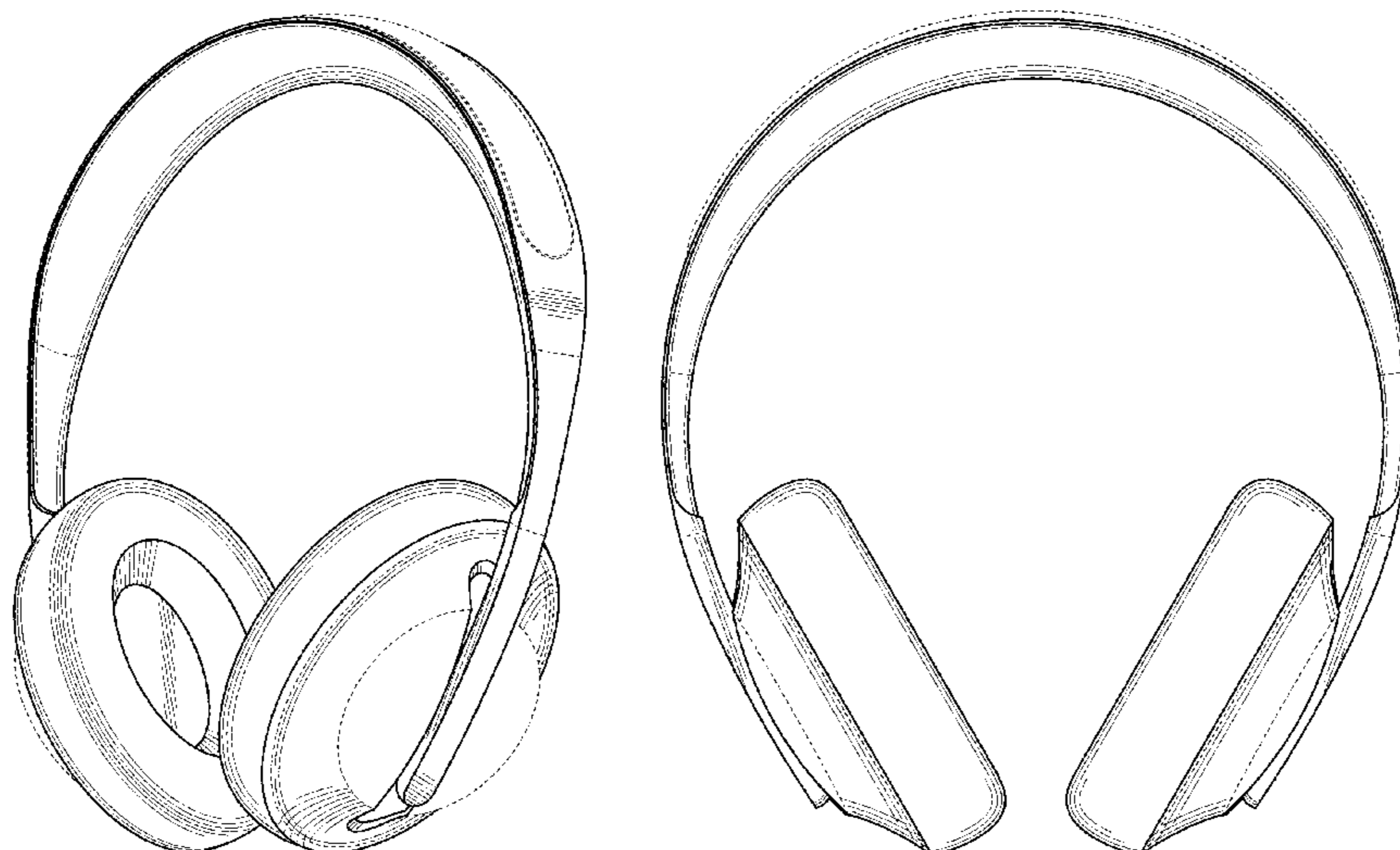
(57) **CLAIM**

The ornamental design for set of headphones, substantially as shown and described.

DESCRIPTION

FIG. 1 is a perspective view of a set of headphones as seen from the front and left side;
 FIG. 2 is a front view thereof;
 FIG. 3 is a back view thereof;
 FIG. 4 is a top view thereof;
 FIG. 5 is a bottom view thereof;
 FIG. 6 is a right side view thereof; and,
 FIG. 7 is a left side view thereof.
 The dotted lines immediately adjacent the shaded areas represent the bounds of the claimed design while all other dotted lines represent environmental structure only and do not form part of the claimed design.

1 Claim, 5 Drawing Sheets



(56)

References Cited

U.S. PATENT DOCUMENTS

D544,464	S *	6/2007	Lee	D14/205
D571,354	S *	6/2008	Ng	D14/205
D588,100	S *	3/2009	Densho	D14/205
D604,269	S *	11/2009	Choe	D14/205
D633,471	S *	3/2011	Sugiyama	D14/205
D633,895	S *	3/2011	Morimoto	D14/205
D634,732	S *	3/2011	Kondo	D14/205
D641,725	S *	7/2011	Chong	D14/205
D654,472	S *	2/2012	Fischer	D14/206
D657,346	S *	4/2012	Park	D14/205
D662,080	S *	6/2012	Carr	D14/205
D663,717	S *	7/2012	Hutchieson	D14/206
D666,992	S *	9/2012	Lee	D14/205
8,263,877	B2 *	9/2012	Liu	H05K 1/162 174/261
8,295,529	B2 *	10/2012	Petersen	H04R 1/083 381/371
D678,859	S *	3/2013	Lee	D14/205
D697,495	S *	1/2014	Lian	D14/205
8,755,555	B2 *	6/2014	Dougherty	H04R 1/1066 381/370
D713,374	S *	9/2014	Farrage	D14/205
D721,052	S	1/2015	Carr et al.		
D737,799	S	9/2015	Carr et al.		
2010/0177907	A1 *	7/2010	Morisawa	H04R 5/0335 381/74
2011/0051976	A1 *	3/2011	Tsai	H04R 1/1066 381/378
2013/0087404	A1 *	4/2013	Peskar	B32B 5/20 181/129

* cited by examiner

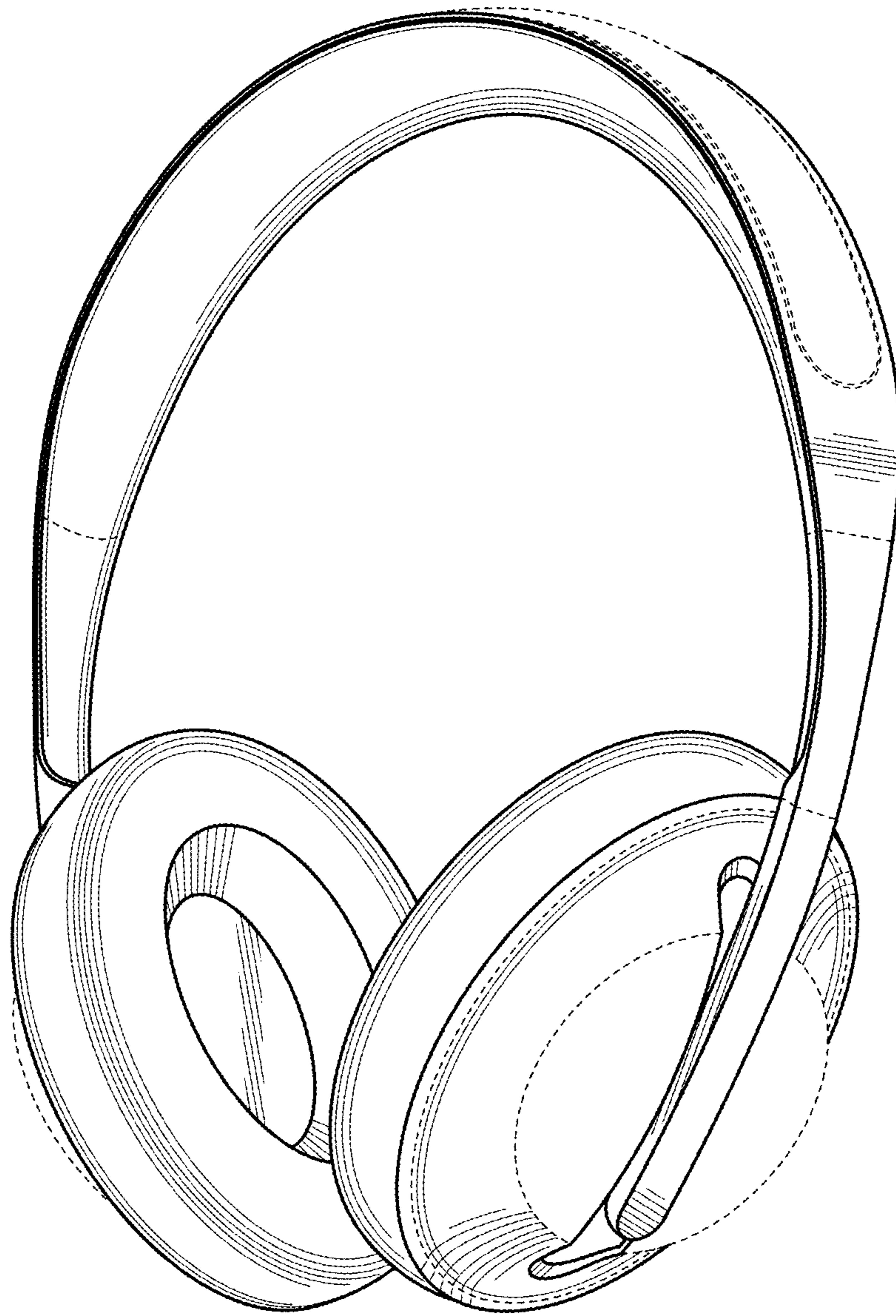


FIG. 1

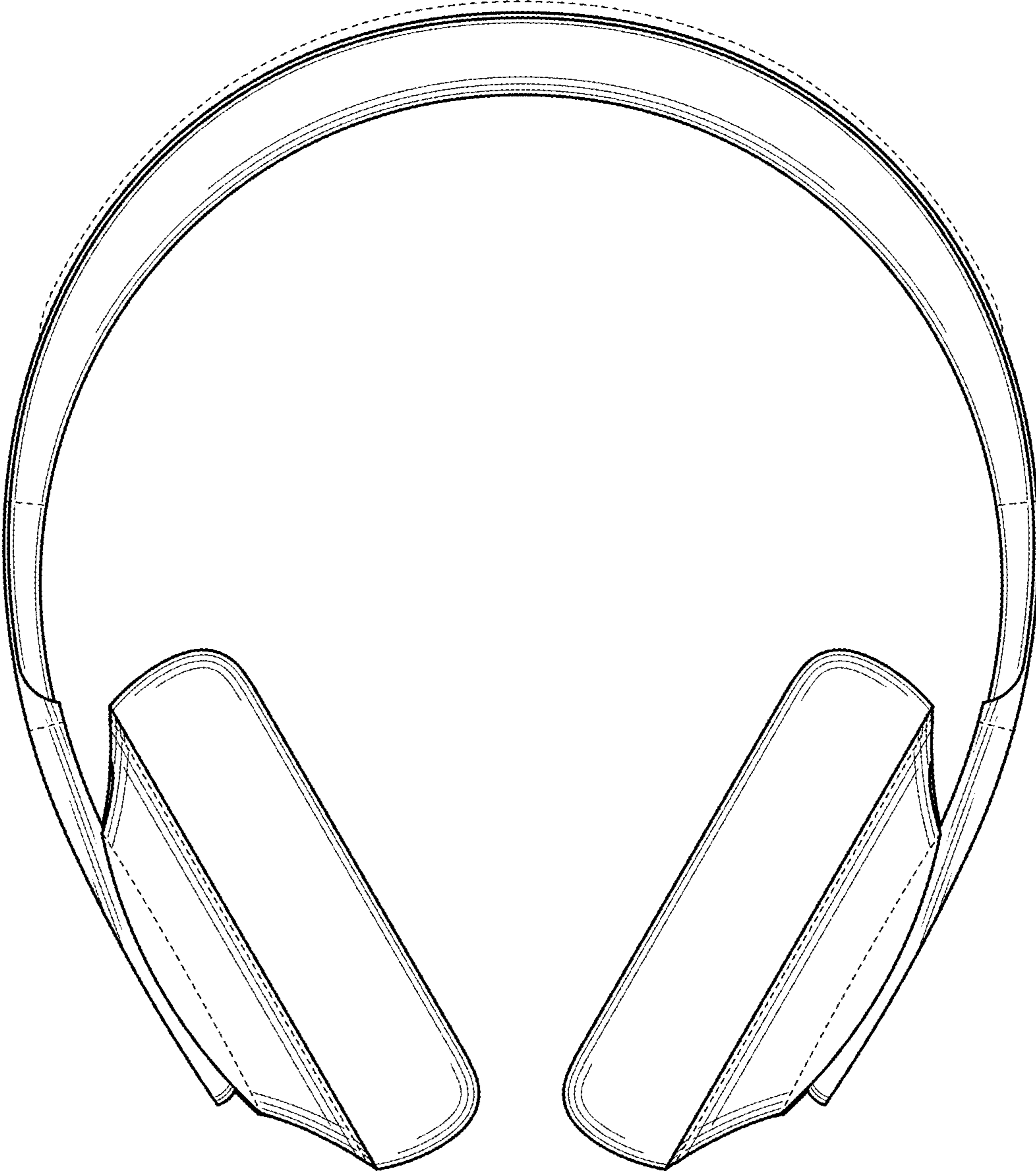


FIG. 2

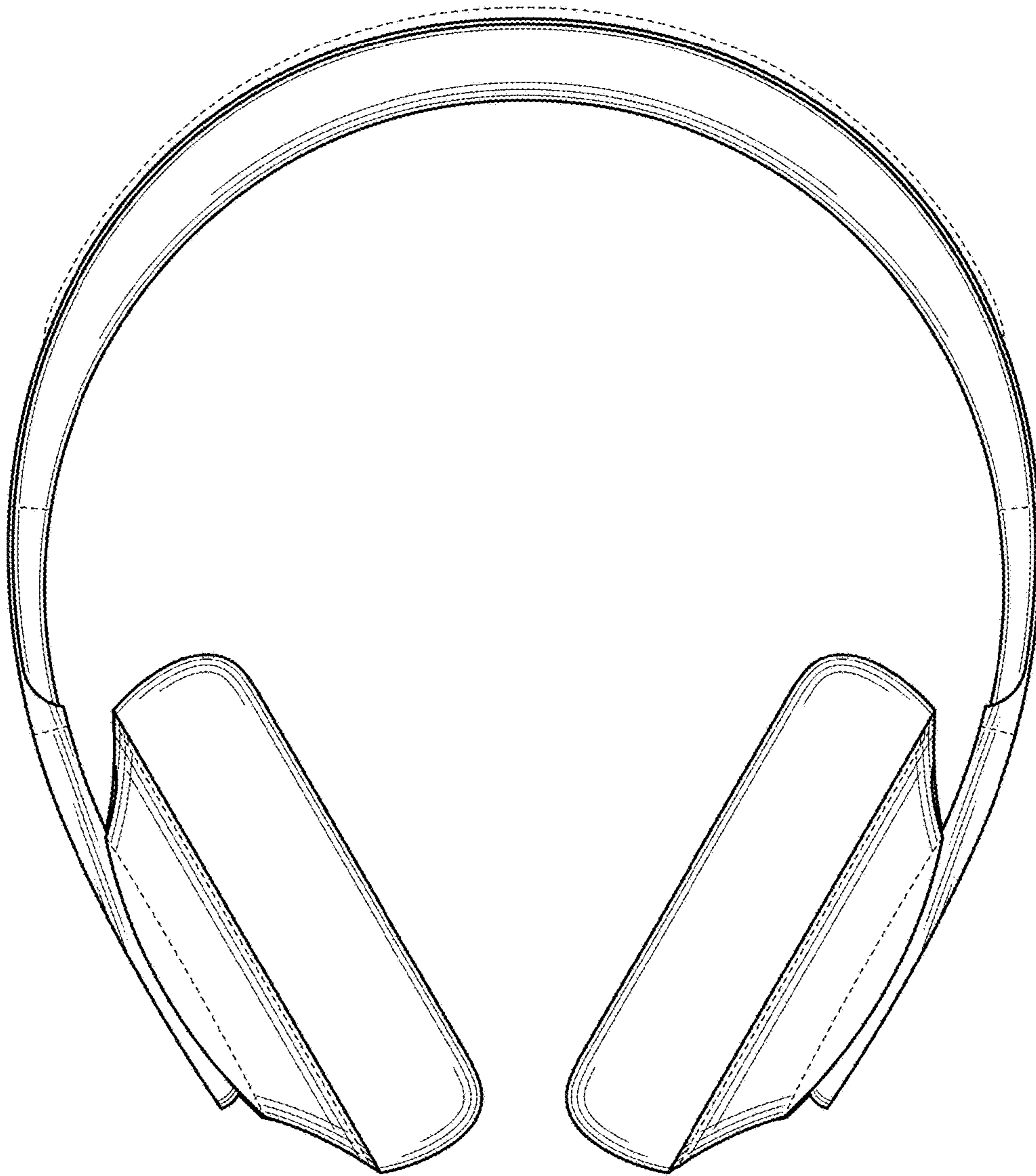


FIG. 3

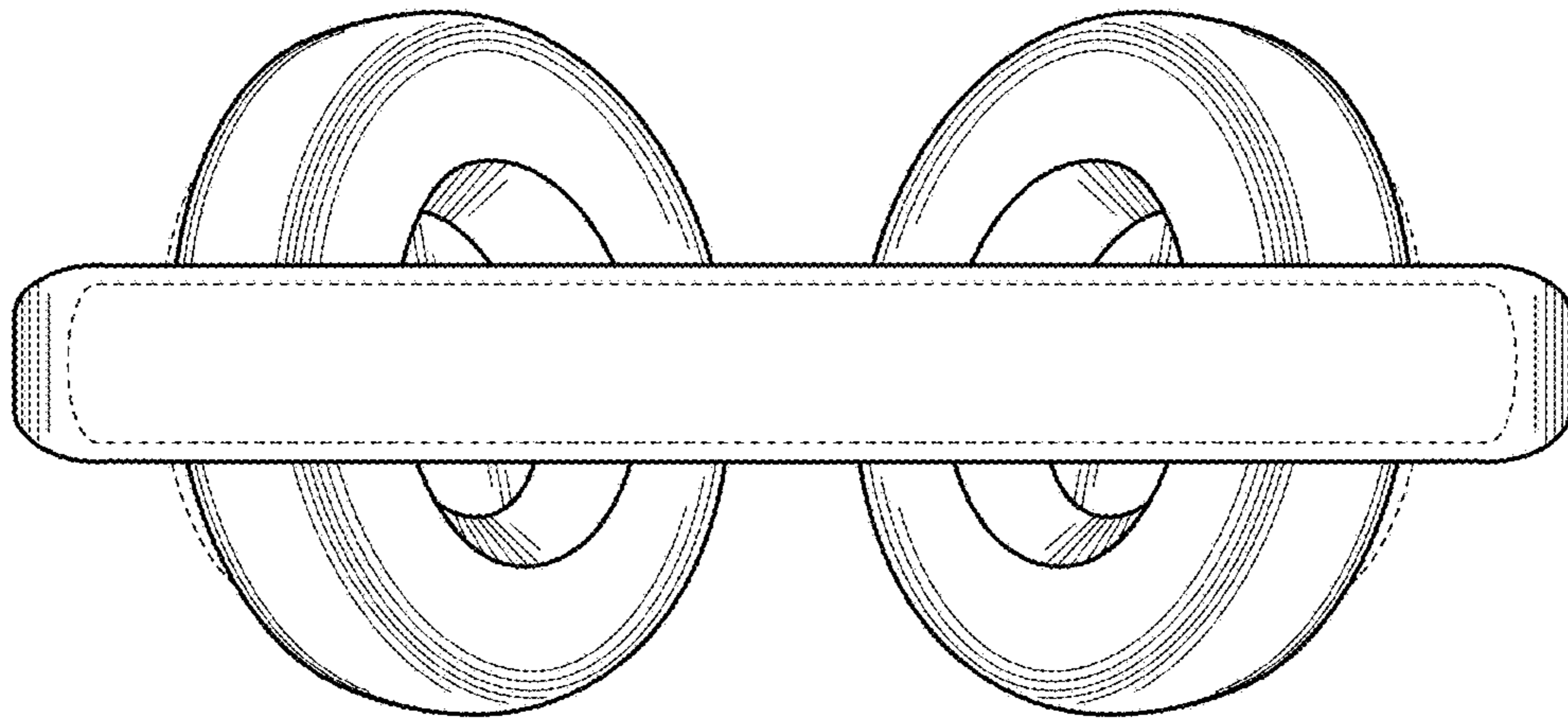


FIG. 4

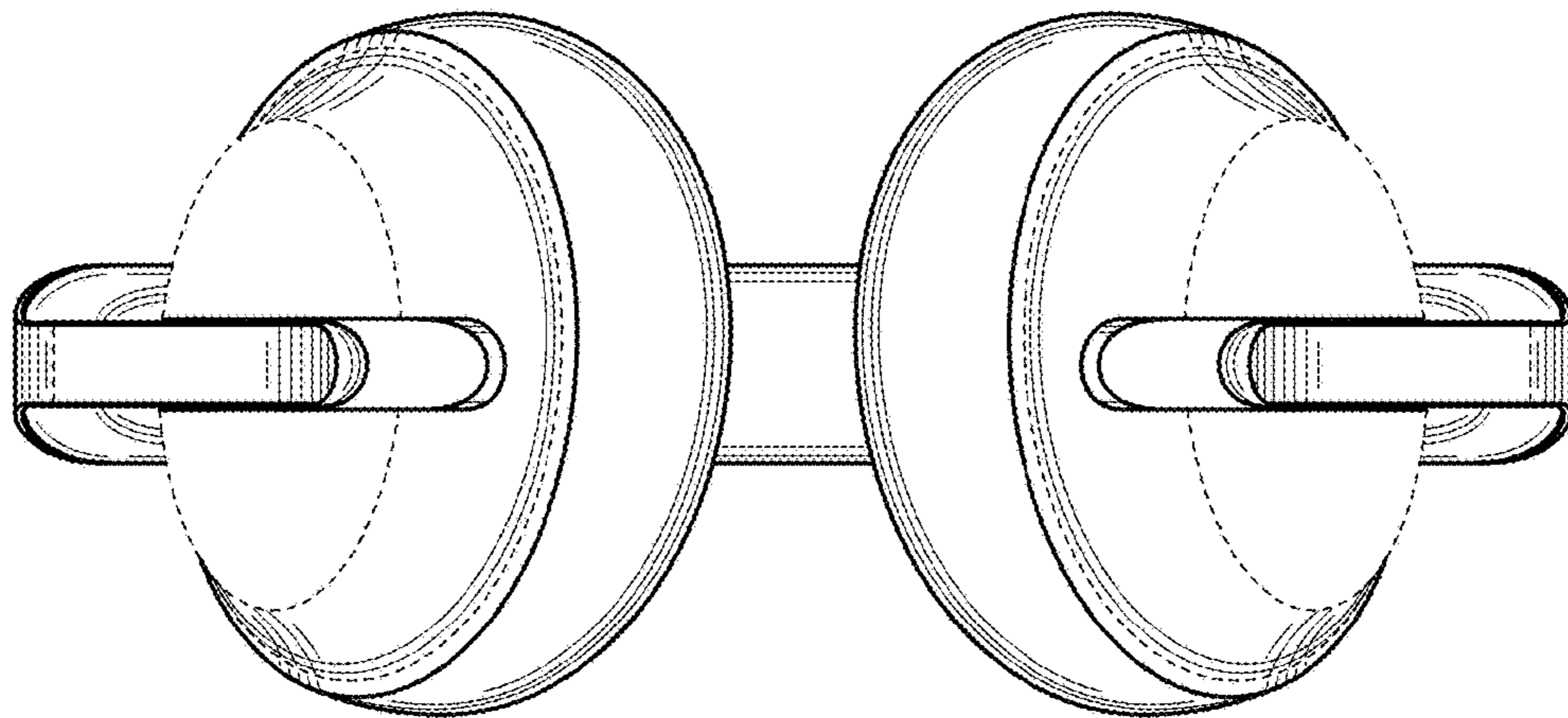


FIG. 5

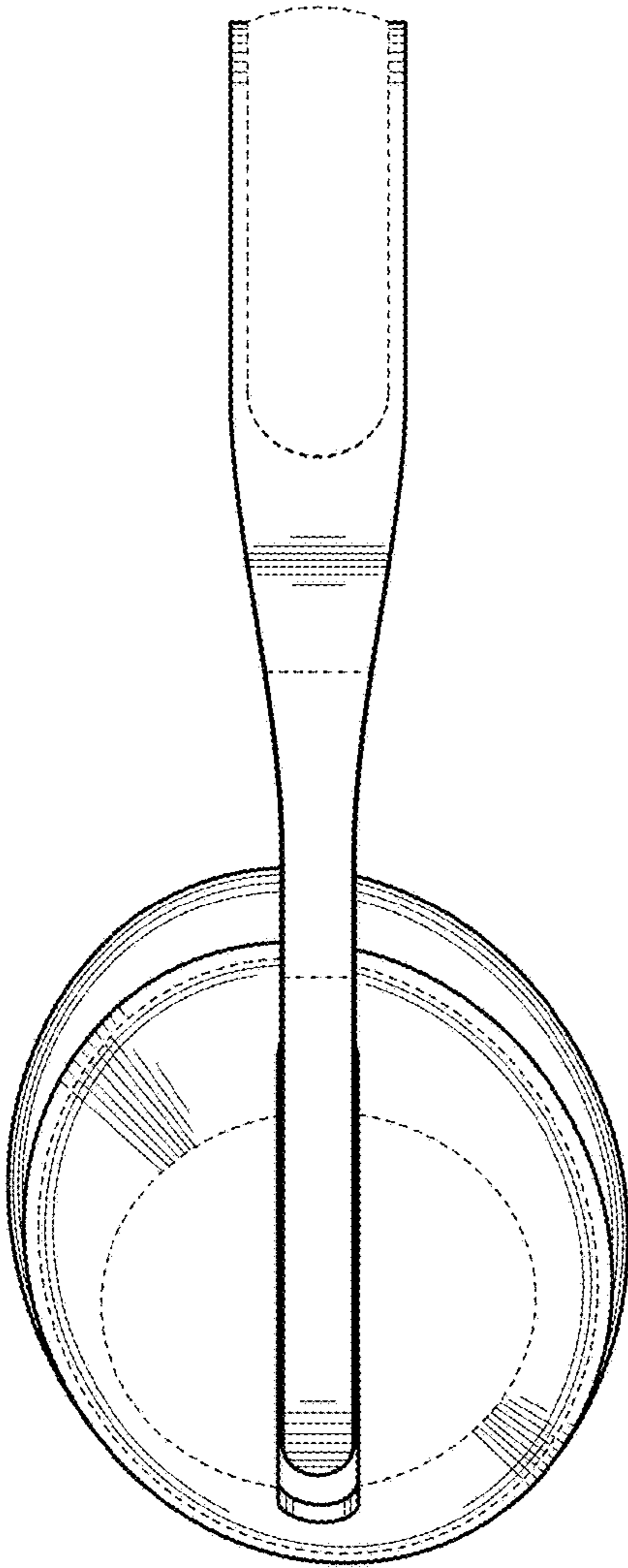


FIG. 6

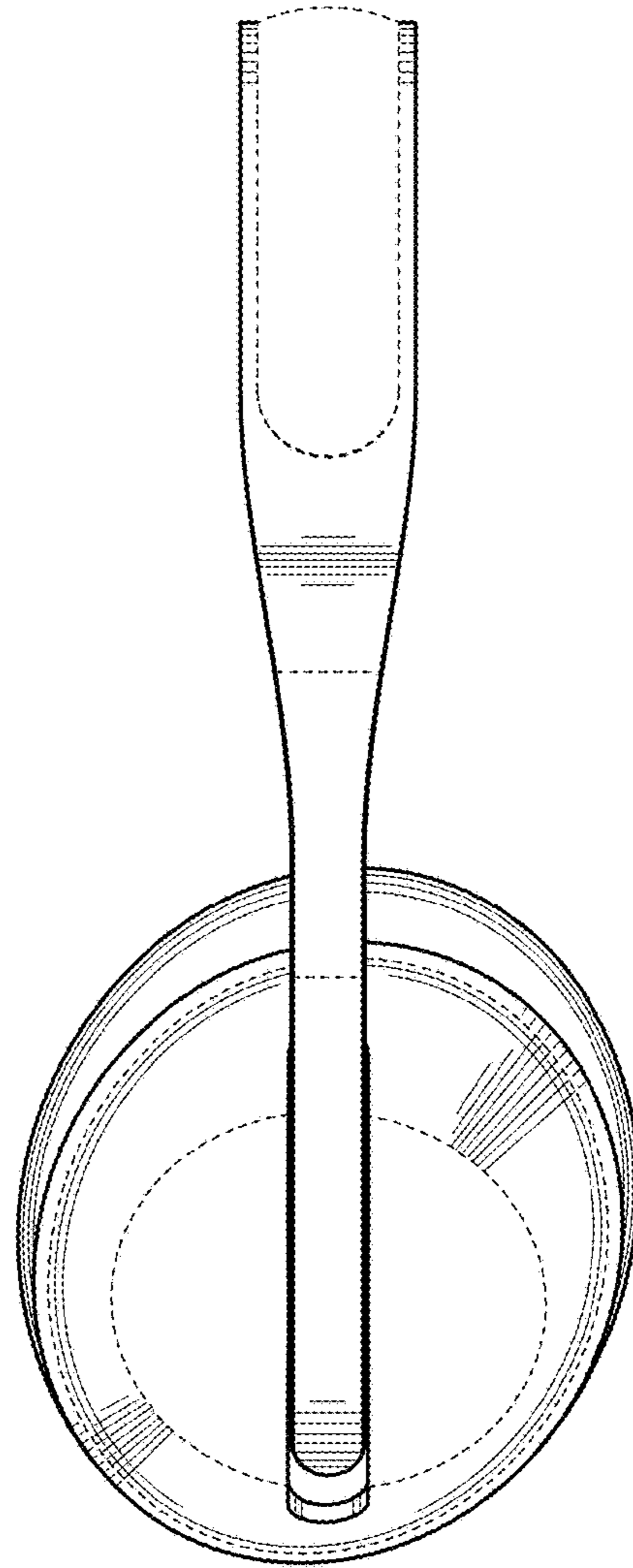


FIG. 7