



US00D809473S

(12) **United States Design Patent** (10) **Patent No.:** **US D809,473 S**
Kim (45) **Date of Patent:** **** Feb. 6, 2018**

(54) **DIGITAL AUDIO PLAYER**
(71) Applicant: **IRIVER LIMITED**, Seoul (KR)
(72) Inventor: **Ji Sun Kim**, Seoul (KR)
(73) Assignee: **IRIVER LIMITED**, Seoul (KR)
(**) Term: **15 Years**
(21) Appl. No.: **29/592,959**
(22) Filed: **Feb. 3, 2017**
(30) **Foreign Application Priority Data**

Jan. 20, 2017 (KR) 30-2017-0003449
(51) **LOC (11) Cl.** **14-03**
(52) **U.S. Cl.**
USPC **D14/203.7; D14/496**
(58) **Field of Classification Search**
USPC D14/496, 401, 435, 474, 483, 217, 137,
D14/138, 160, 168, 356, 203.1-203.8,
D14/507; 345/156, 169, 173-179, 905;
715/727-729, 864; 710/1, 5, 8; 713/1,
713/600; 455/1.1, 1.7, 73, 344-347, 93,
455/95, 3.01-3.06, 550.1, 573.1;
370/342-344; 369/1, 2, 6-12;
463/43-47; 273/148 B
CPC H04J 11/00; H04J 13/00; H04J 14/00
See application file for complete search history.

(56) **References Cited**
U.S. PATENT DOCUMENTS
D270,062 S * 8/1983 Ackeret 40/513
5,825,408 A * 10/1998 Yuyama H04N 1/0044
348/14.01
6,977,675 B2 * 12/2005 Kotzin G06F 1/1626
345/156
7,184,802 B2 * 2/2007 Chadha H04M 1/0208
379/433.06

7,203,529 B2 * 4/2007 Kim H04N 1/2112
348/E7.079
7,281,214 B2 * 10/2007 Fadell G06F 3/0219
345/172
D639,773 S * 6/2011 Kang D14/203.3
D678,327 S * 3/2013 Lee D14/203.3
D718,750 S * 12/2014 Young D14/203.7
D747,288 S * 1/2016 Han D14/203.3

(Continued)

Primary Examiner — Prabhakar Deshmukh
(74) *Attorney, Agent, or Firm* — Hauptman Ham, LLP

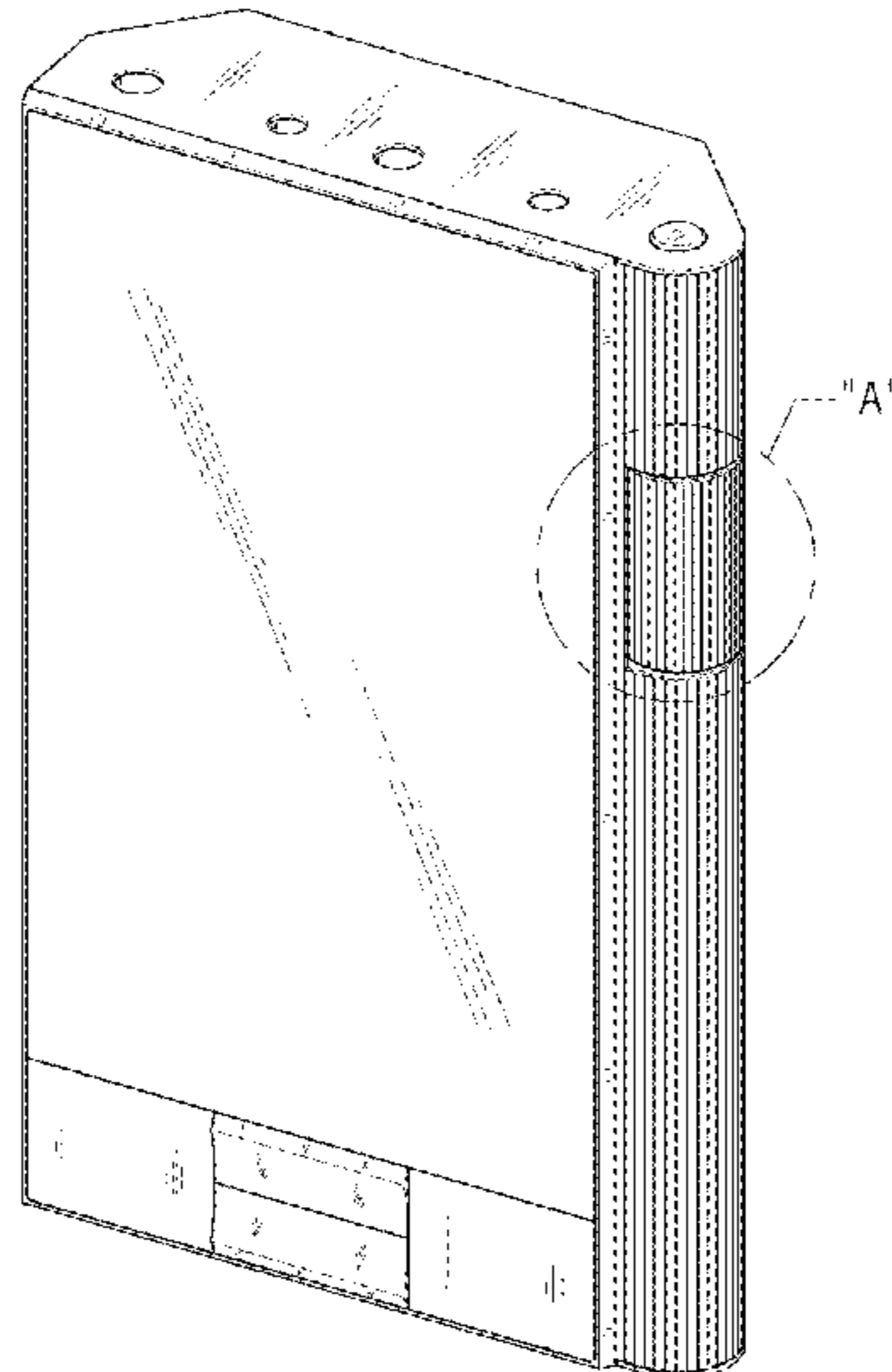
(57) **CLAIM**

I claim the ornamental design for a digital audio player, as shown and described.

DESCRIPTION

FIGS. 1-3 are front perspective views of the digital audio player;
FIG. 4 is a front elevation view thereof;
FIG. 5 is a rear elevation view thereof;
FIG. 6 is a left elevation side view thereof;
FIG. 7 is a right elevation side view thereof;
FIG. 8 is a top plane view thereof;
FIG. 9 is a bottom plane view thereof; and,
FIG. 10 is an enlarged view of "A" of FIG. 1 thereof.
The design is the overall configuration shape ornamentation and pattern of the digital audio player audio player which is made of at least one of synthetic resins, metal, and glass. The design is composed of a volume wheel on the right side which can easily adjust the volume with light scrolling. The design is for listening to high-quality sound of music file playback. The design is created for portability, and a minimized size of digital audio player and amplifier combined. The design is composed of the delicate wavy pattern of the exterior reflecting splendidly when the delicate wavy pattern of the exterior receives light which makes it uniquely sophisticated with a combination of strength and softness.

1 Claim, 9 Drawing Sheets



(56)

References Cited

U.S. PATENT DOCUMENTS

D787,468 S * 5/2017 Lee D14/203.3
D792,371 S * 7/2017 Kim D14/203.7

* cited by examiner

FIG. 1

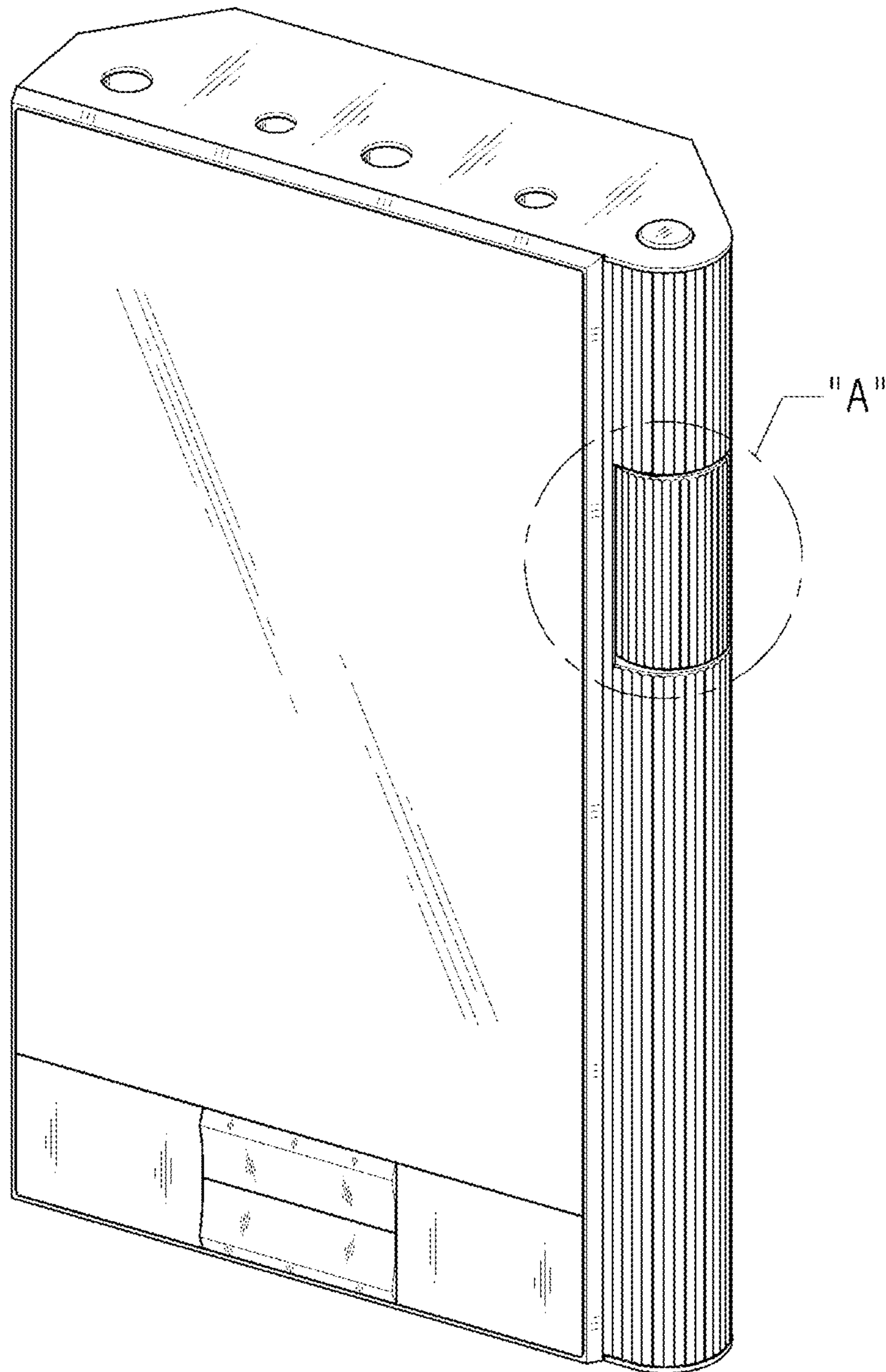


FIG. 2

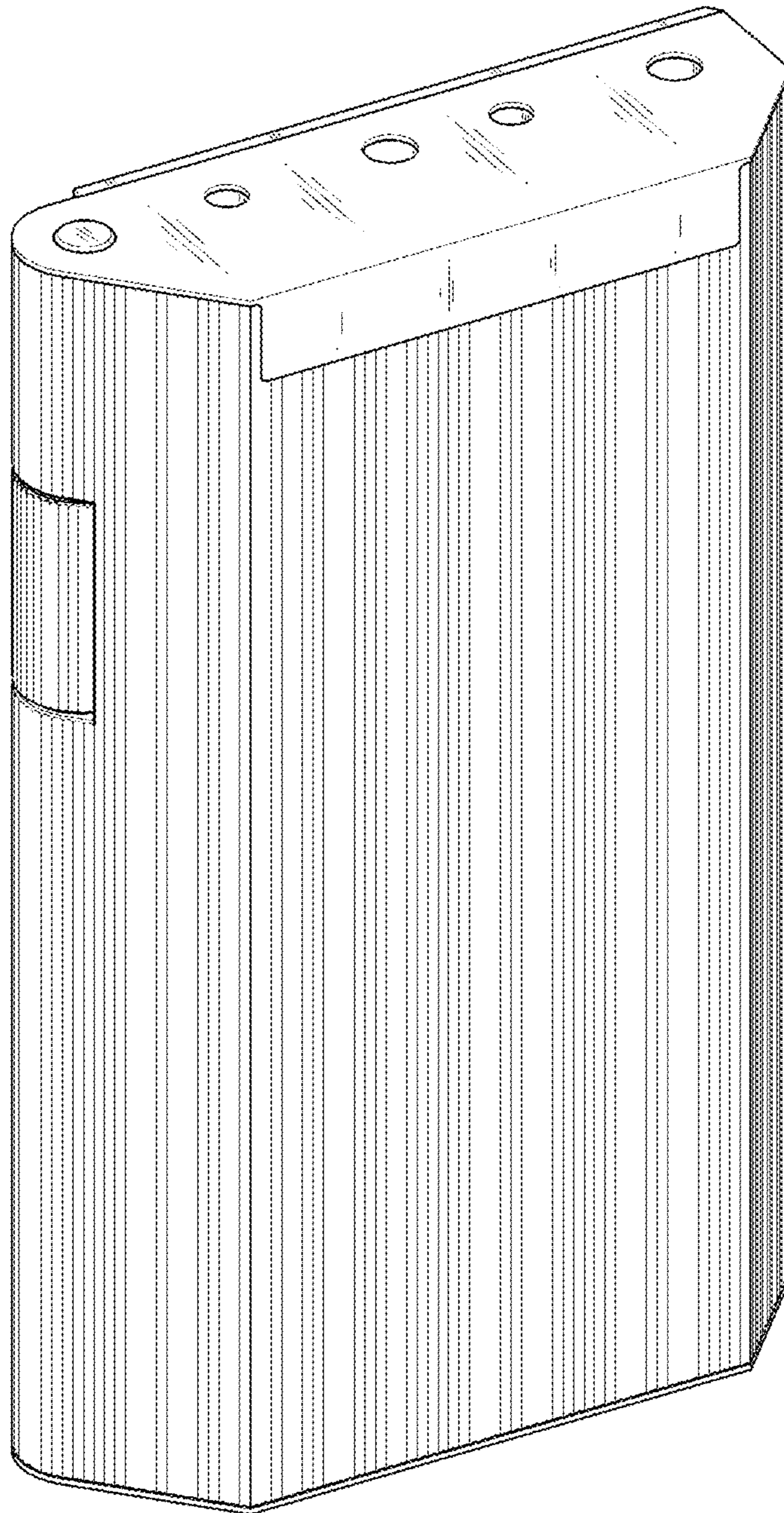


FIG. 3

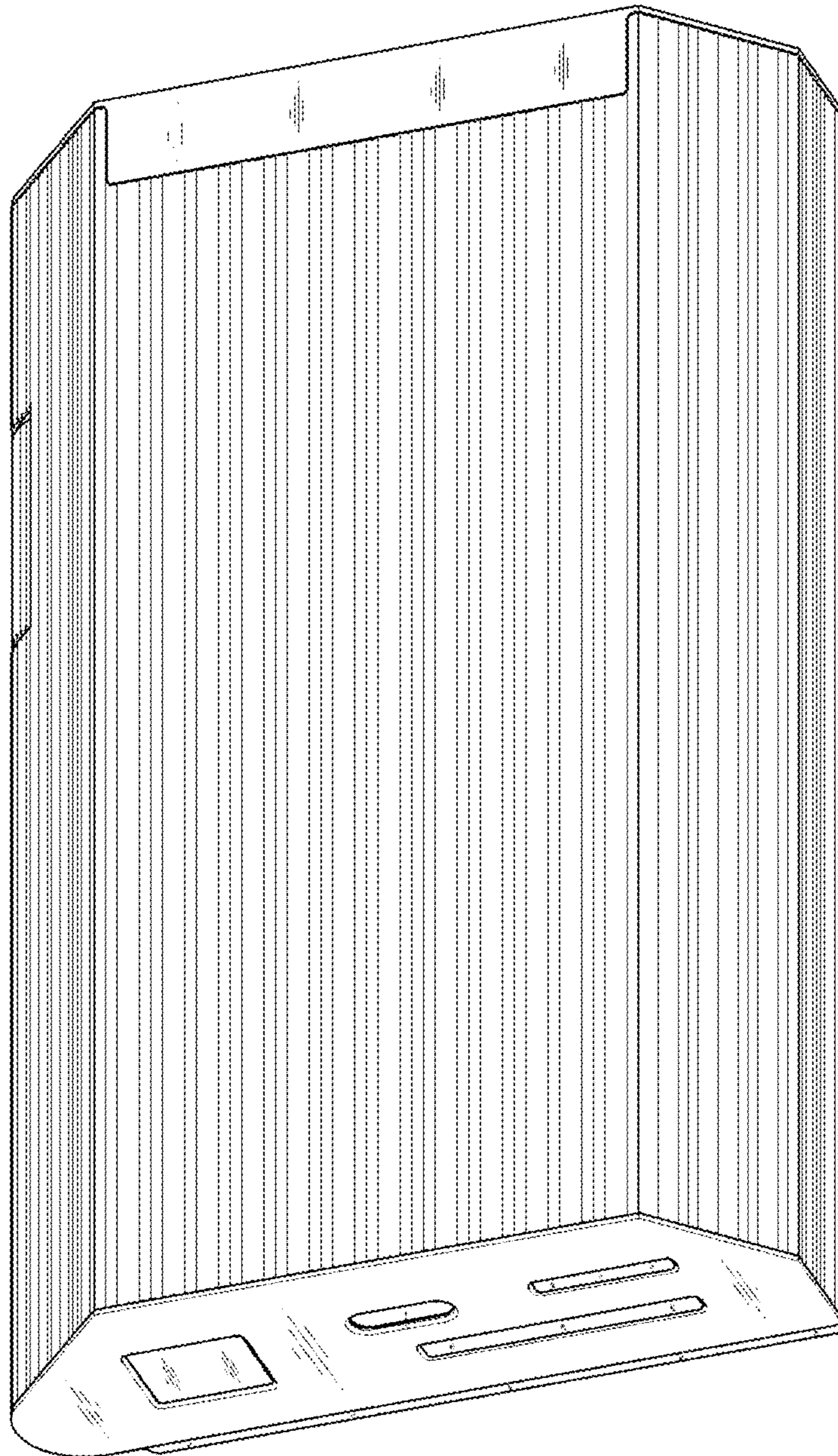


FIG. 4

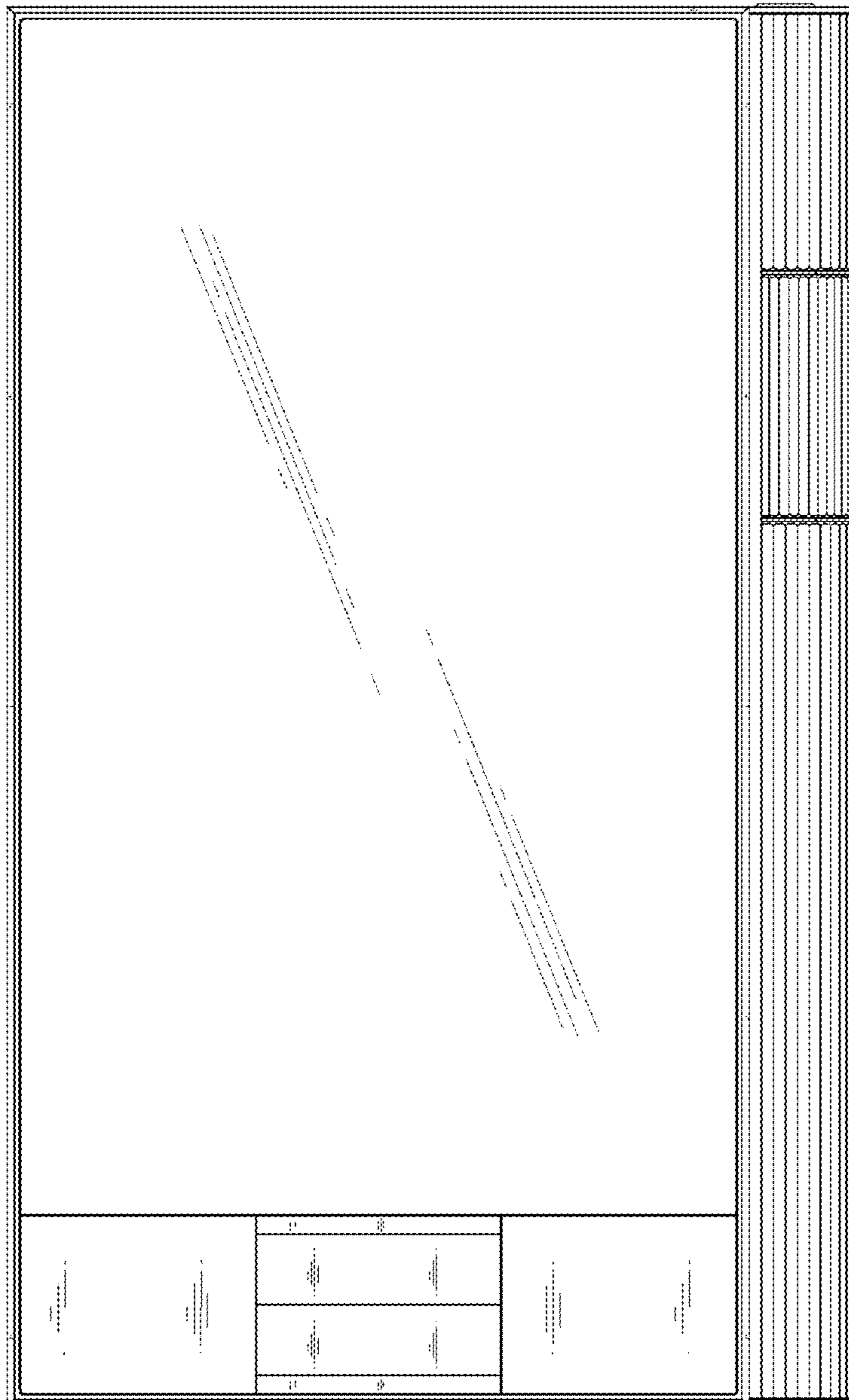


FIG. 5

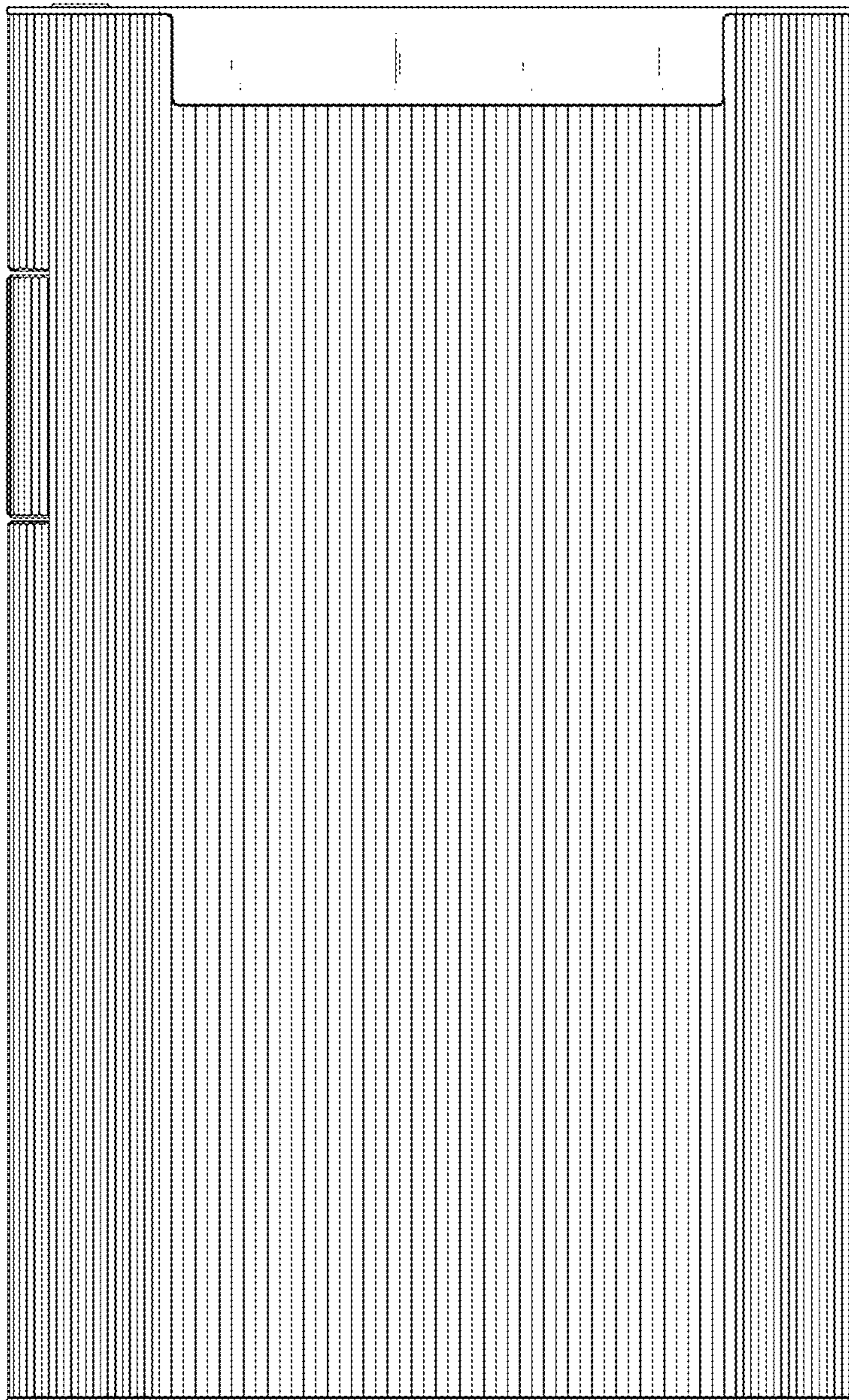


FIG. 6

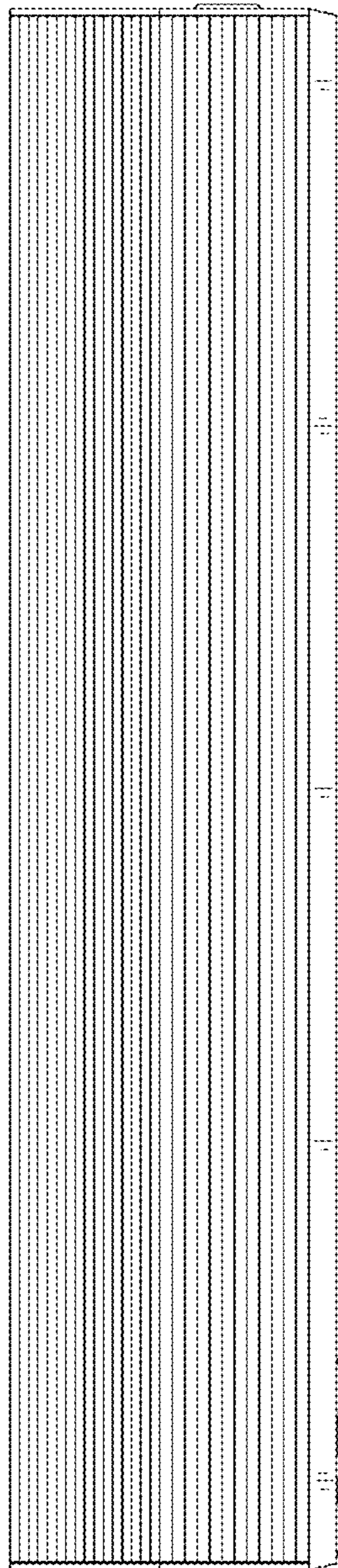


FIG. 7

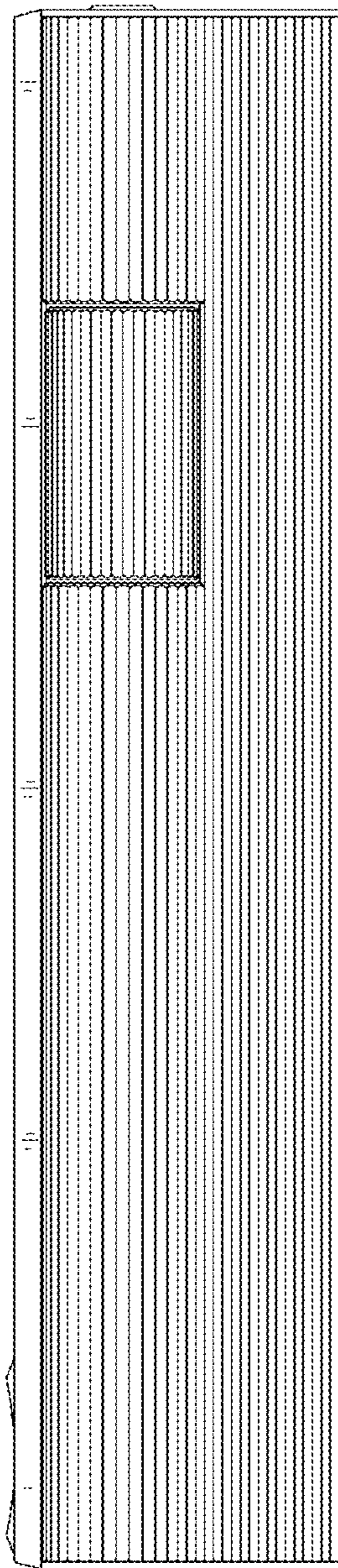


FIG. 8

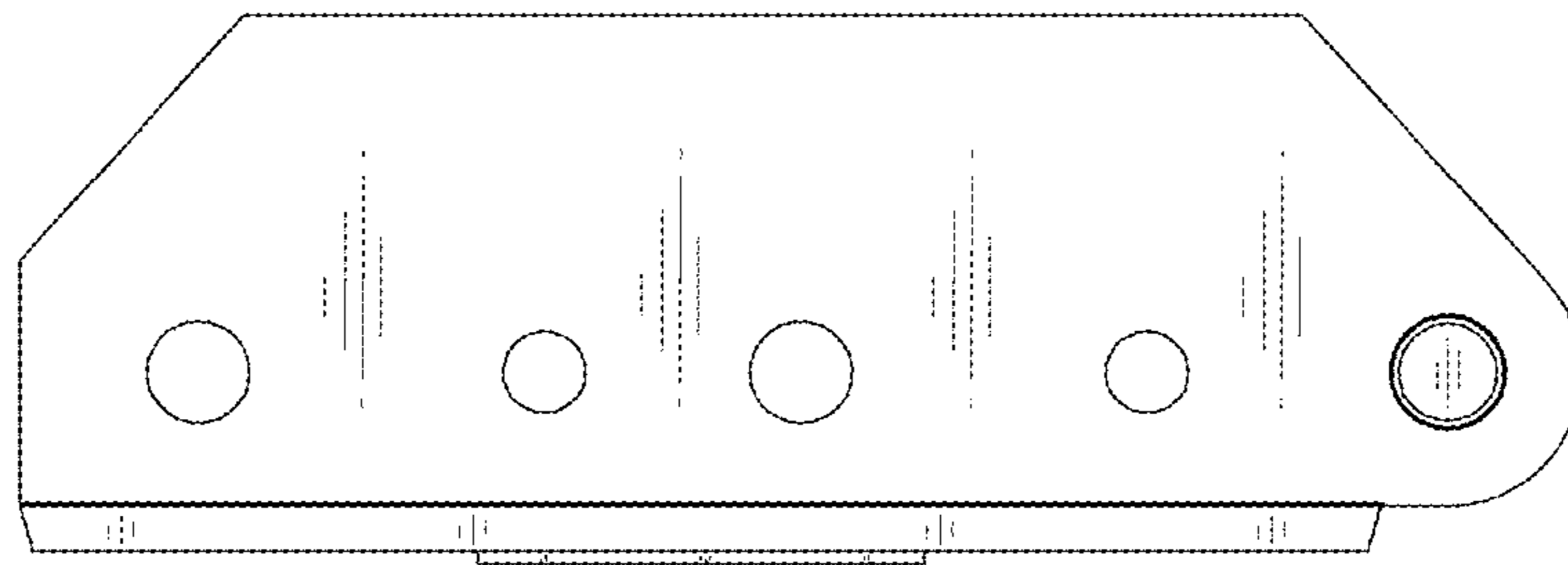


FIG. 9

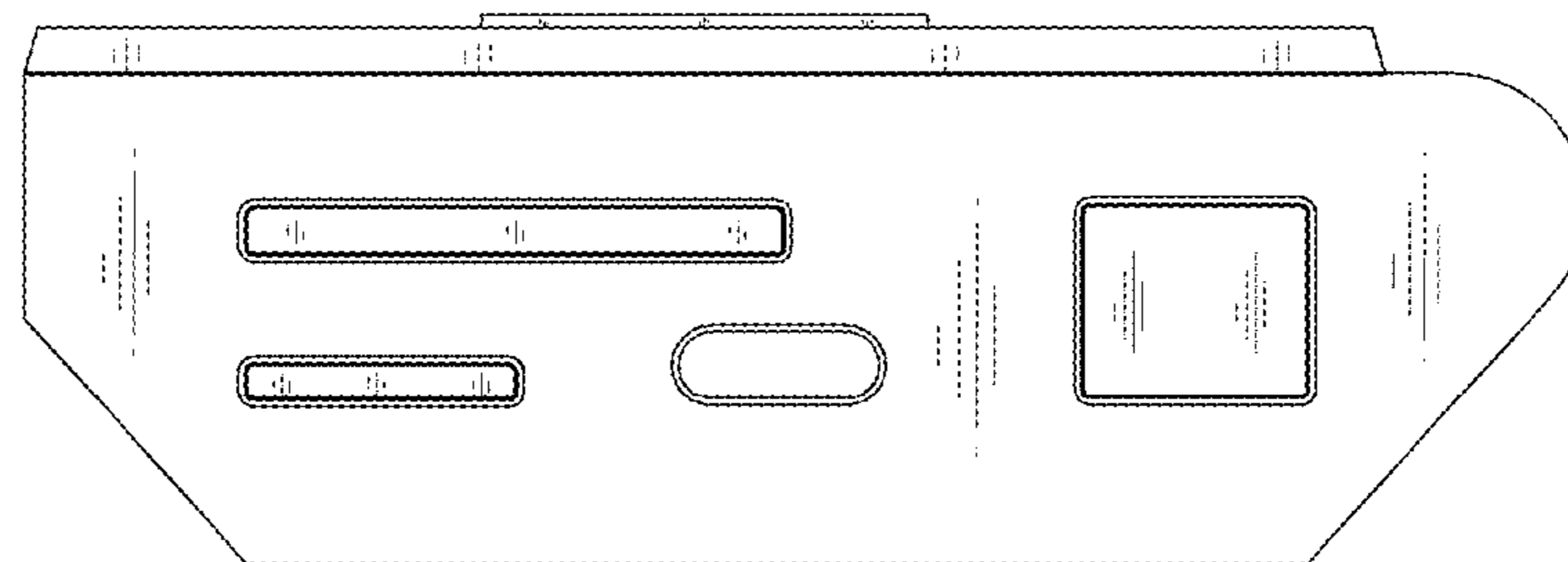


FIG. 10

Enlarged view of "A"

