



US00D809471S

(12) **United States Design Patent** (10) **Patent No.:** **US D809,471 S**
Dancsecs (45) **Date of Patent:** **** Feb. 6, 2018**

(54) **VIDEO BROCHURE**

(71) Applicant: **Matt Dancsecs**, Pound Ridge, NY (US)

(72) Inventor: **Matt Dancsecs**, Pound Ridge, NY (US)

(**) Term: **15 Years**

(21) Appl. No.: **29/584,835**

(22) Filed: **Nov. 17, 2016**

Related U.S. Application Data

(63) Continuation of application No. 29/540,017, filed on Sep. 19, 2015, now abandoned.

(51) **LOC (11) Cl.** **14-03**

(52) **U.S. Cl.**
USPC **D14/132**

(58) **Field of Classification Search**
USPC D19/1-10, 20-34, 86; 40/124.01-124.15, 40/672, 661, 726, 427, 445-457, 463; 283/72, 74-75, 63.1; 206/449, 308.3, 206/472; D21/385; 229/92, 92.1, 300; 462/64-66, 17, 55; 345/87, 904; 434/317, 169, 362, 185, 308, 368, 309, 434/311, 318, 320, 321; 281/3.1, 15.1, 281/19.1, 21.1, 29, 38; D14/371, 374, D14/435, 126-134; 248/444.1

CPC B42D 25/00; B42D 25/23; B42D 25/26; B42D 25/29; B42D 25/30; B42D 25/285; B42D 15/022; B42D 15/027; B42D 15/045; B42D 15/042; B42D 15/02; B42D 15/04; B42D 2033/02; B42D 2033/04; B42D 2033/10; B42D 2033/16; B42D 2033/18; B42D 2033/20; B42D 2033/22; B42D 2033/28; B42D 2033/30; G09F 27/00; G09F 1/00; A63H 3/28

See application file for complete search history.

(56) **References Cited**

U.S. PATENT DOCUMENTS

7,356,950	B1 *	4/2008	Avery	B42D 15/022
				40/124.02
7,609,506	B2 *	10/2009	Aguirre	G06F 1/1626
				345/87
D616,929	S *	6/2010	Krivanek	D19/1
D646,659	S *	10/2011	Liberatore	D14/132
D647,559	S *	10/2011	Clegg	D19/1
D649,589	S *	11/2011	Clegg	D19/1
D654,113	S *	2/2012	Clegg	D19/1
D655,750	S *	3/2012	Clegg	D19/1
D660,909	S *	5/2012	Clegg	D19/1
D698,639	S *	2/2014	Fletcher	D9/415
D731,190	S *	6/2015	Vieira	D6/300

* cited by examiner

Primary Examiner — Randall Gholson

(74) *Attorney, Agent, or Firm* — Steven E. Shapiro

(57) **CLAIM**

The ornamental design for a video brochure, as shown and described.

DESCRIPTION

FIG. 1 is a perspective view of a video brochure; FIG. 2 is a front view of the video brochure; FIG. 3 is a rear view of the video brochure; FIG. 4 is a bottom view of the video brochure; FIG. 5 is a top view of the video brochure; FIG. 6 is a right side view of the video brochure; and, FIG. 7 is a left side view of the video brochure. The broken lines illustrate portions of the video brochure that form no part of the claimed design.

1 Claim, 2 Drawing Sheets

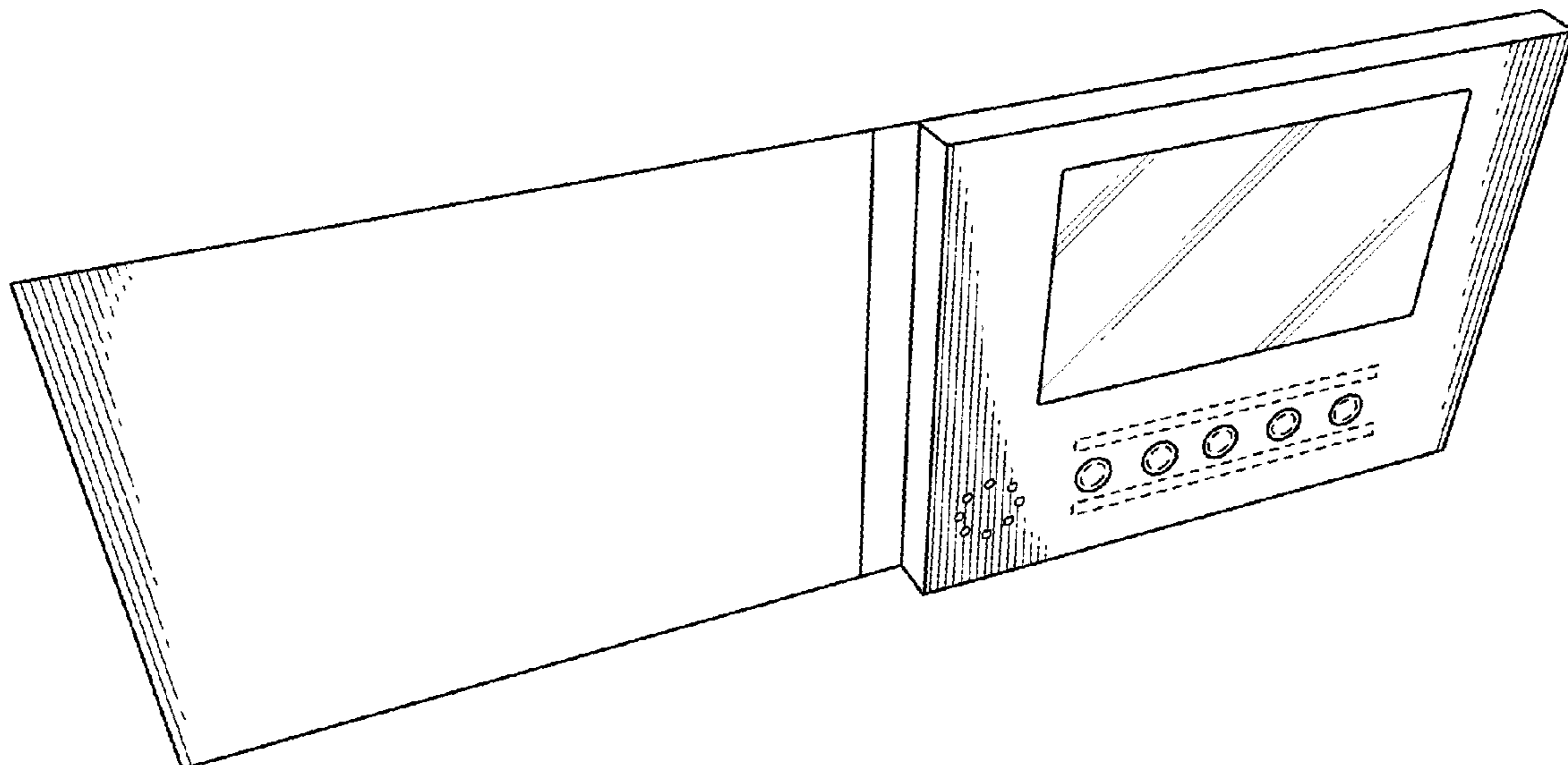


Fig. 1

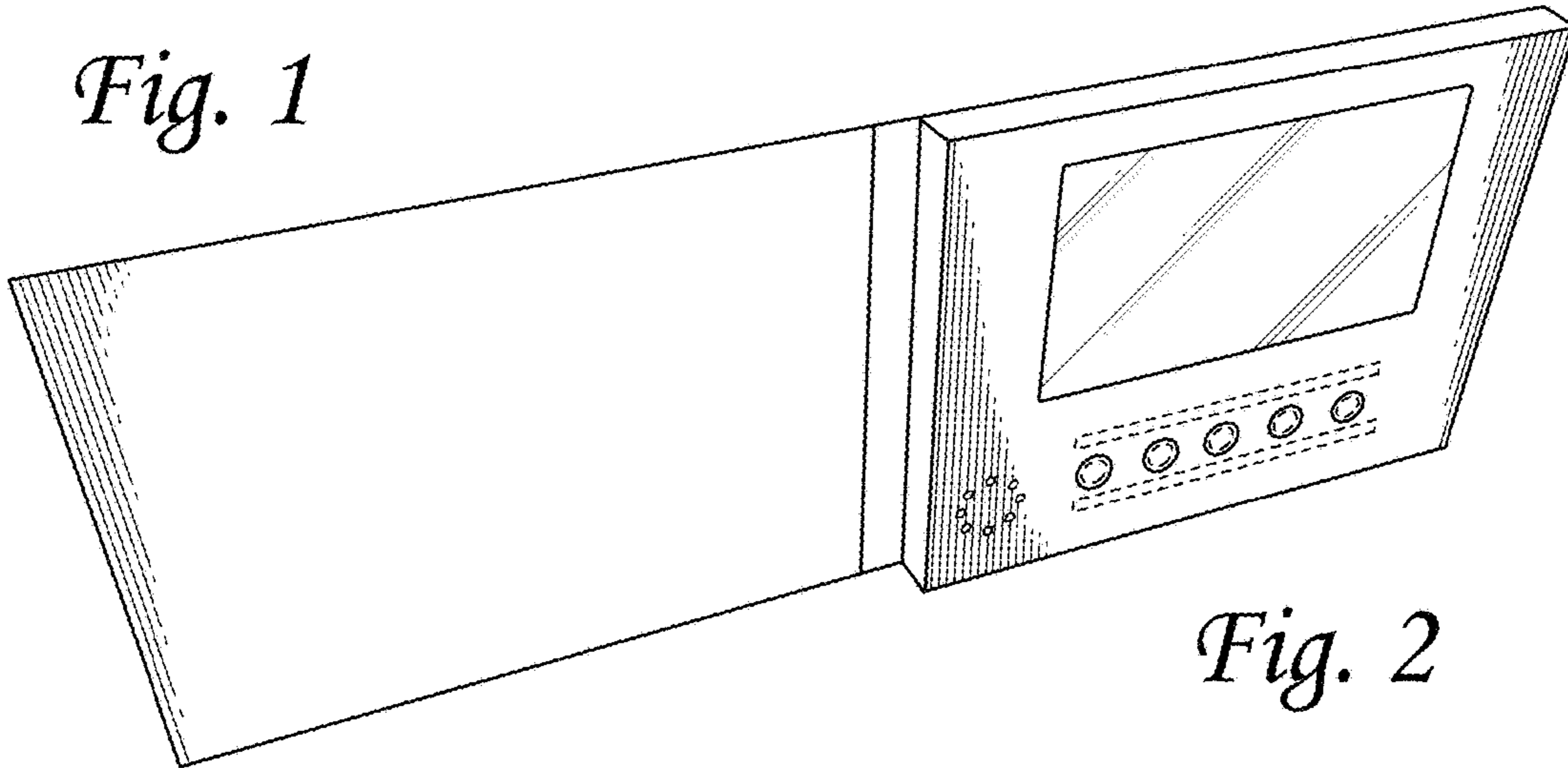


Fig. 2

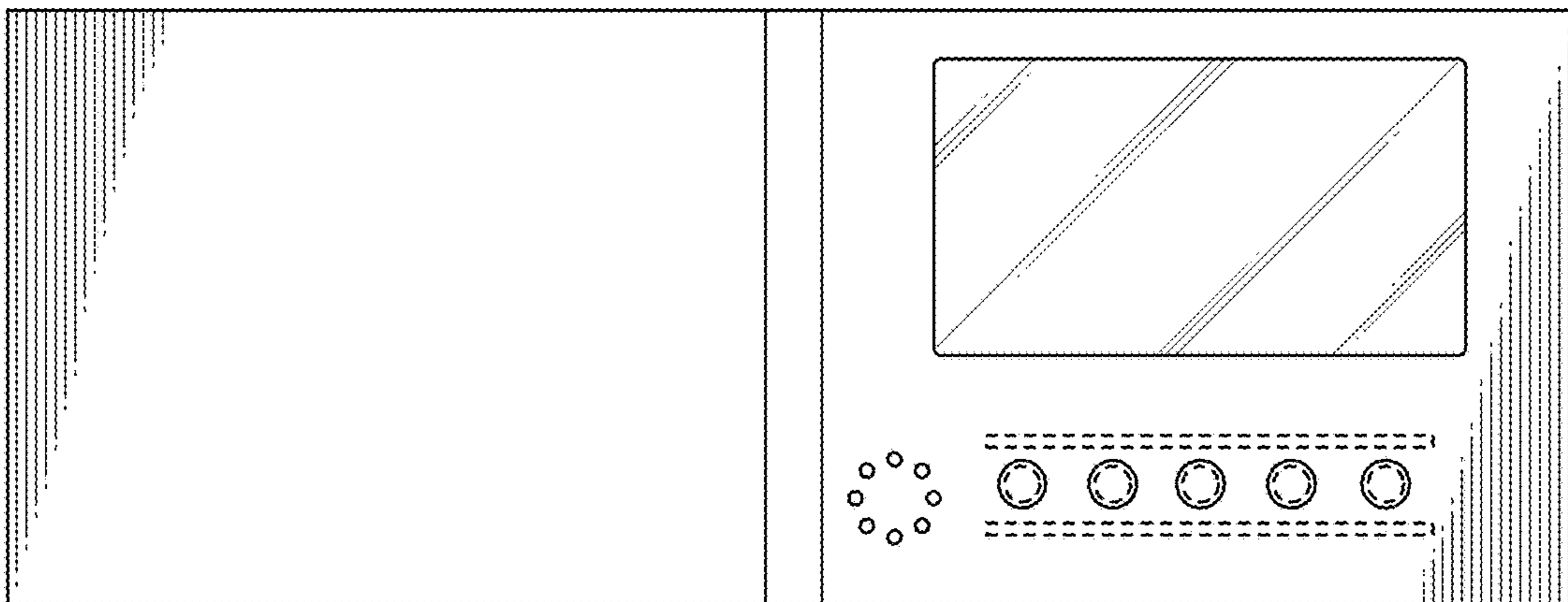


Fig. 3

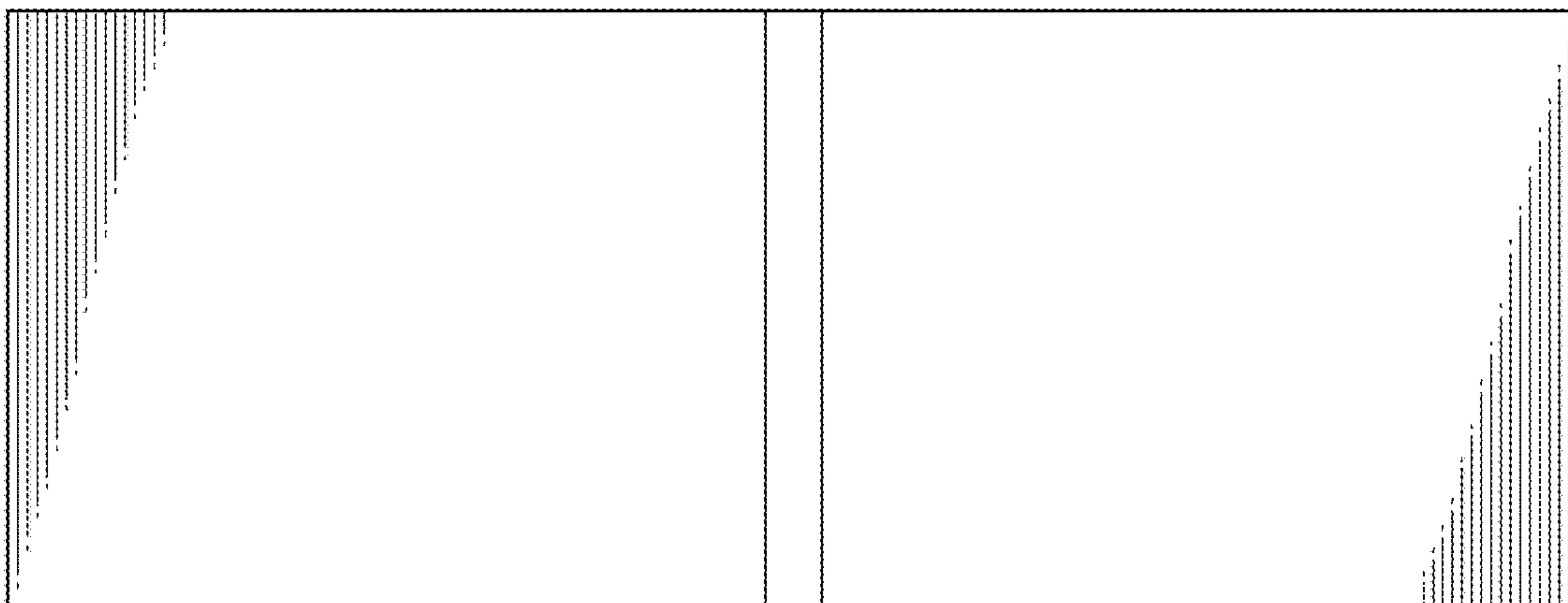


Fig. 4



Fig. 5



Fig. 6

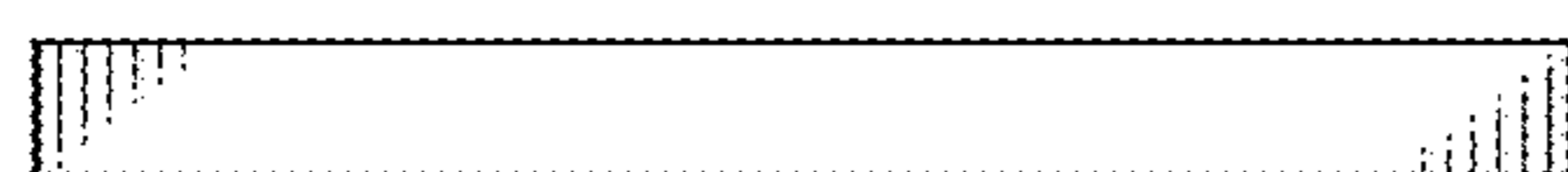
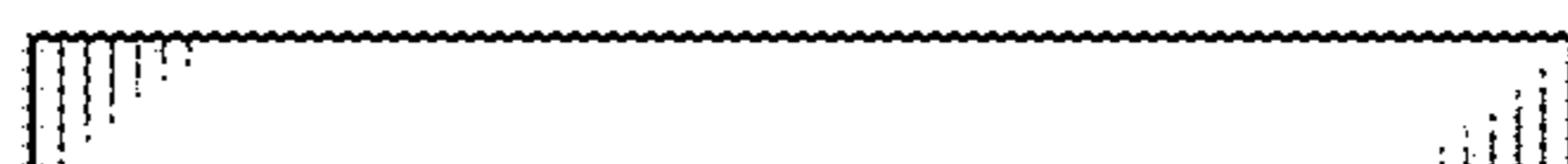


Fig. 7