



US00D809469S

(12) **United States Design Patent**  
**Masui et al.**

(10) **Patent No.:** **US D809,469 S**  
(45) **Date of Patent:** **\*\* Feb. 6, 2018**

(54) **TELEVISION RECEIVER**

**DESCRIPTION**

(71) Applicant: **Sony Corporation**, Tokyo (JP)

(72) Inventors: **Kirio Masui**, Tokyo (JP); **Kenzo Nakajima**, Kanagawa (JP); **Hiroaki Yokota**, Tokyo (JP); **Takahiro Naito**, Tokyo (JP); **Hitoshi Takahashi**, Chiba (JP)

(73) Assignee: **SONY CORPORATION**, Tokyo (JP)

(\*\*) Term: **15 Years**

(21) Appl. No.: **29/558,620**

(22) Filed: **Mar. 18, 2016**

(30) **Foreign Application Priority Data**

Dec. 25, 2015 (JP) ..... D2015-028801  
Dec. 25, 2015 (JP) ..... D2015-028802  
(Continued)

(51) **LOC (11) Cl.** ..... **14-03**

(52) **U.S. Cl.**  
USPC ..... **D14/126**

(58) **Field of Classification Search**  
USPC ..... D14/125-134, 239, 371, 136, 374-377,  
D14/440, 450, 448, 336, 342, 159;  
(Continued)

(56) **References Cited**

**U.S. PATENT DOCUMENTS**

D412,891 S 4/1999 Sumii  
D541,234 S 4/2007 Iijima et al.  
(Continued)

*Primary Examiner* — Randall Gholson

(74) *Attorney, Agent, or Firm* — Michael Best and Friedrich LLP

(57) **CLAIM**

The ornamental design for a television receiver, as shown and described.

The patent or application file contains at least one drawing executed in color. Copies of this patent or patent application publication with color drawing(s) will be provided by the Office upon request and payment of the necessary fee.

FIG. 1 is a perspective view of a first embodiment of a television receiver showing our new design;

FIG. 2 is an enlarged partial perspective view along the lines 2-2 of FIG. 1;

FIG. 3 is a front elevational view thereof.

FIG. 4 is a rear elevational view thereof;

FIG. 5 is a right side elevational view thereof; and

FIG. 6 is a top plan view thereof.

FIG. 7 is a perspective view of a second embodiment of a television receiver showing our new design;

FIG. 8 is an enlarged partial perspective view along the lines 8-8 of FIG. 7;

FIG. 9 is a front elevational view thereof;

FIG. 10 is a rear elevational view thereof;

FIG. 11 is a right side elevational view thereof; and

FIG. 12 is a top plan view thereof.

FIG. 13 is a perspective view of a third embodiment of a television receiver showing our new design;

FIG. 14 is an enlarged partial perspective view along the lines 14-14 of FIG. 13;

FIG. 15 is a front elevational view thereof;

FIG. 16 is a rear elevational view thereof;

FIG. 17 is a right side elevational view thereof; and

FIG. 18 is a top plan view thereof.

FIG. 19 is a perspective view of a fourth embodiment of a television receiver showing our new design;

FIG. 20 is an enlarged partial perspective view along the lines 20-20 of FIG. 19;

FIG. 21 is a front elevational view thereof;

FIG. 22 is a rear elevational view thereof;

FIG. 23 is a right side elevational view thereof; and

FIG. 24 is a top plan view thereof.

FIG. 25 is a perspective view of a fifth embodiment of a television receiver showing our new design;

FIG. 26 is an enlarged partial perspective view along the lines 26-26 of FIG. 25;

FIG. 27 is a front elevational view thereof;

(Continued)

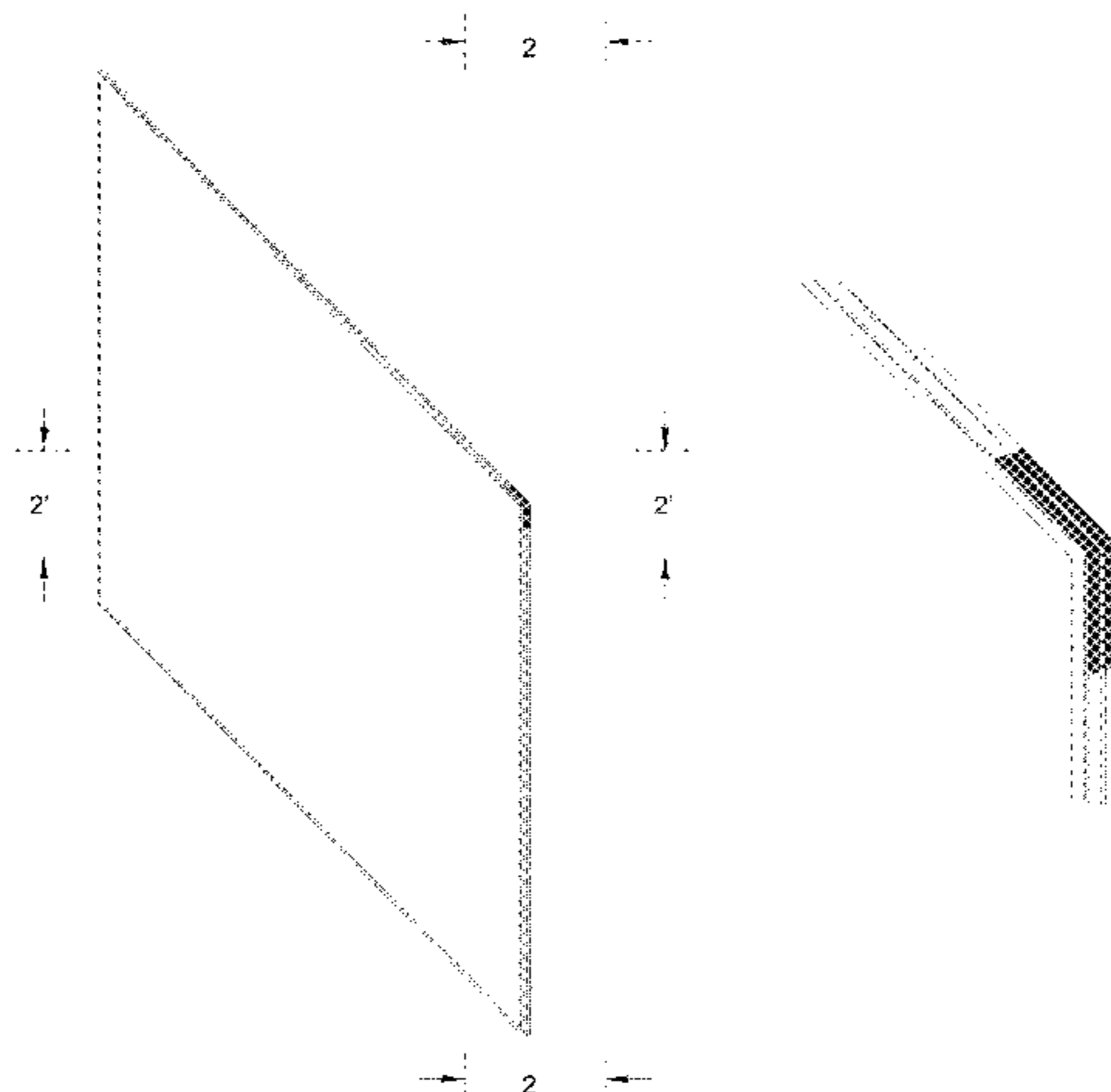


FIG. 28 is a rear elevational view thereof;  
 FIG. 29 is a right side elevational view thereof; and  
 FIG. 30 is a top plan view thereof.  
 FIG. 31 is a perspective view of a sixth embodiment of a television receiver showing our new design;  
 FIG. 32 is an enlarged partial perspective view along the lines 32-32 of FIG. 31;  
 FIG. 33 is a front elevational view thereof;  
 FIG. 34 is a rear elevational view thereof;  
 FIG. 35 is a right side elevational view thereof; and  
 FIG. 36 is a top plan view thereof.  
 FIG. 37 is a perspective view of a seventh embodiment of a television receiver showing our new design;  
 FIG. 38 is an enlarged partial perspective view along the lines 38-38 of FIG. 37;  
 FIG. 39 is a front elevational view thereof;  
 FIG. 40 is a rear elevational view thereof;  
 FIG. 41 is a right side elevational view thereof; and  
 FIG. 42 is a top plan view thereof.  
 FIG. 43 is a perspective view of an eighth embodiment of a television receiver showing our new design;  
 FIG. 44 is an enlarged partial perspective view along the lines 44-44 of FIG. 43;  
 FIG. 45 is a front elevational view thereof;  
 FIG. 46 is a rear elevational view thereof;  
 FIG. 47 is a right side elevational view thereof; and,  
 FIG. 48 is a top plan view thereof.  
 The broken lines illustrating unclaimed portions of a television receiver form no part of the claimed design. Dot-dash broken lines define the boundaries of the claimed design and form no part of the claimed design.

**1 Claim, 40 Drawing Sheets**  
**(25 of 40 Drawing Sheet(s) Filed in Color)**

(30) **Foreign Application Priority Data**

Dec. 25, 2015	(JP)	.....	D2015-029029
Dec. 25, 2015	(JP)	.....	D2015-029030
Dec. 25, 2015	(JP)	.....	D2015-029031
Dec. 25, 2015	(JP)	.....	D2015-029032
Dec. 25, 2015	(JP)	.....	D2015-029033
Dec. 25, 2015	(JP)	.....	D2015-029034
Dec. 25, 2015	(JP)	.....	D2015-029035
Dec. 28, 2015	(CN)	.....	2015 3 0561465
Dec. 28, 2015	(CN)	.....	2015 3 0561560
Dec. 28, 2015	(JP)	.....	D2015-029125
Dec. 28, 2015	(JP)	.....	D2015-029126
Dec. 28, 2015	(JP)	.....	D2015-029127

(58) **Field of Classification Search**  
 USPC ..... 312/7.2; 348/836, 838, 180, 184, 325,  
 348/739; 248/917-924, 465; 345/104,  
 345/133, 156, 168, 87, 173; D21/329,  
 D21/515, 577, 622, 333, 433, 448, 452,  
 D21/450, 331, 505; D10/15, 26;  
 446/484, 175, 356; D6/477, 479, 300;  
 D24/185; D34/14  
 CPC ... G06F 1/1601; G06F 1/1643; H05K 5/0004;  
 H05K 5/0017; H05K 5/02; H05K 5/0217  
 See application file for complete search history.

(56) **References Cited**

U.S. PATENT DOCUMENTS

D558,201	S	*	12/2007	Park	.....	D14/375
D564,990	S		3/2008	Ueno		
D637,167	S	*	5/2011	Tsai	.....	D14/126
D637,571	S	*	5/2011	Chiu	.....	D14/126
D727,864	S	*	4/2015	Kim	.....	D14/126
D742,344	S	*	11/2015	Kim	.....	D14/126
D749,532	S	*	2/2016	McManigal	.....	D14/126
D778,856	S		2/2017	Yokota		

\* cited by examiner

FIG. 1

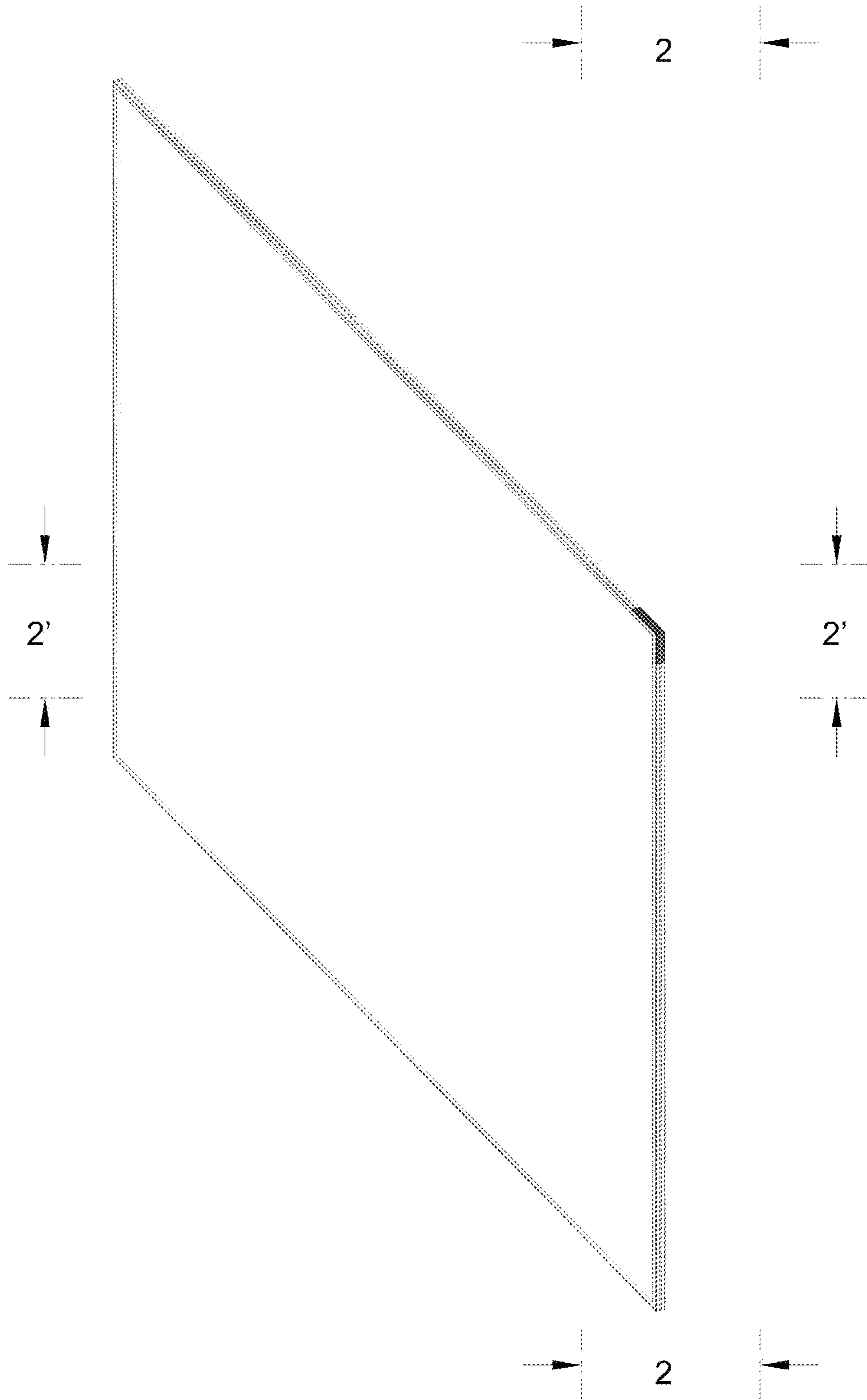


FIG.2

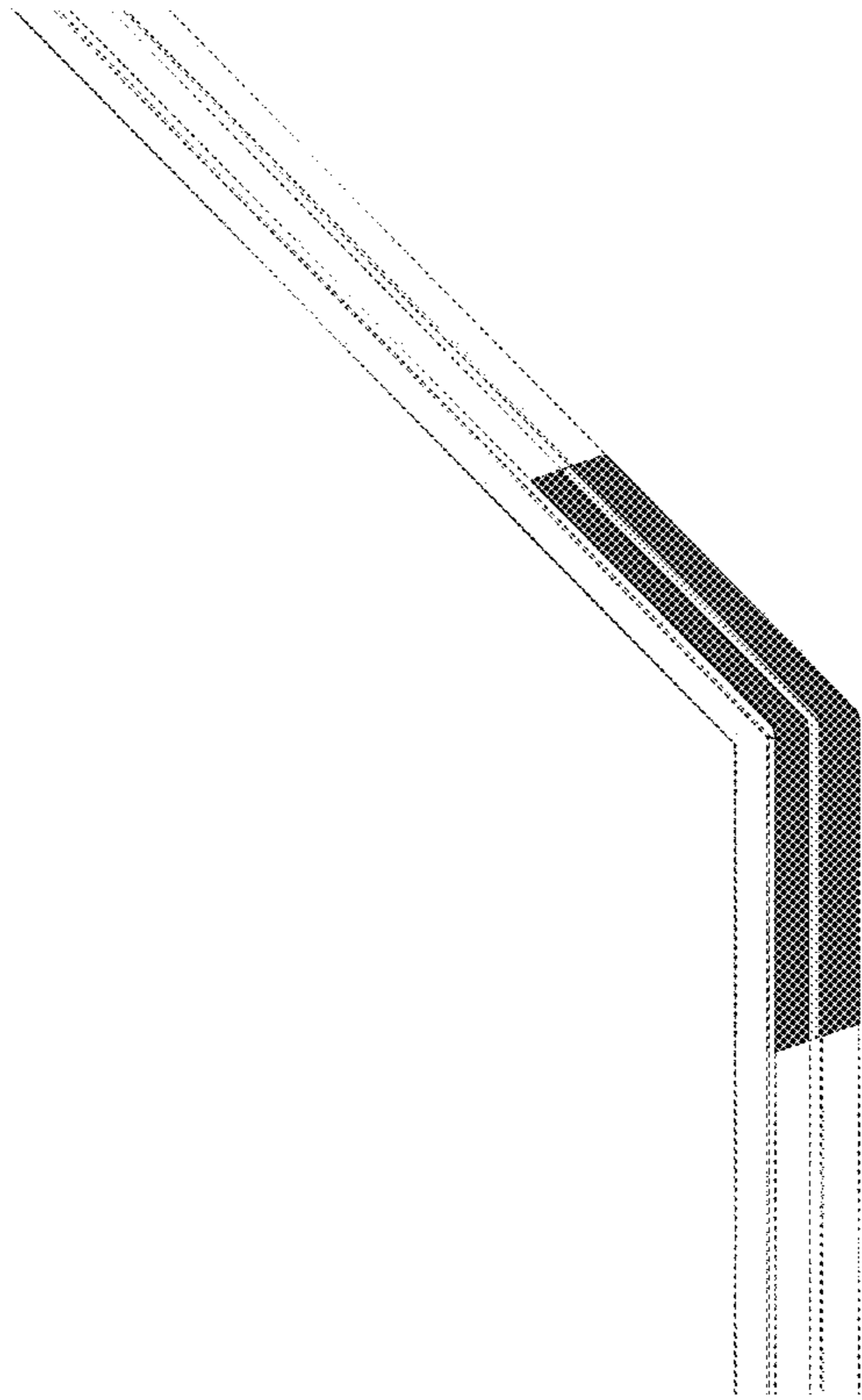


FIG.3

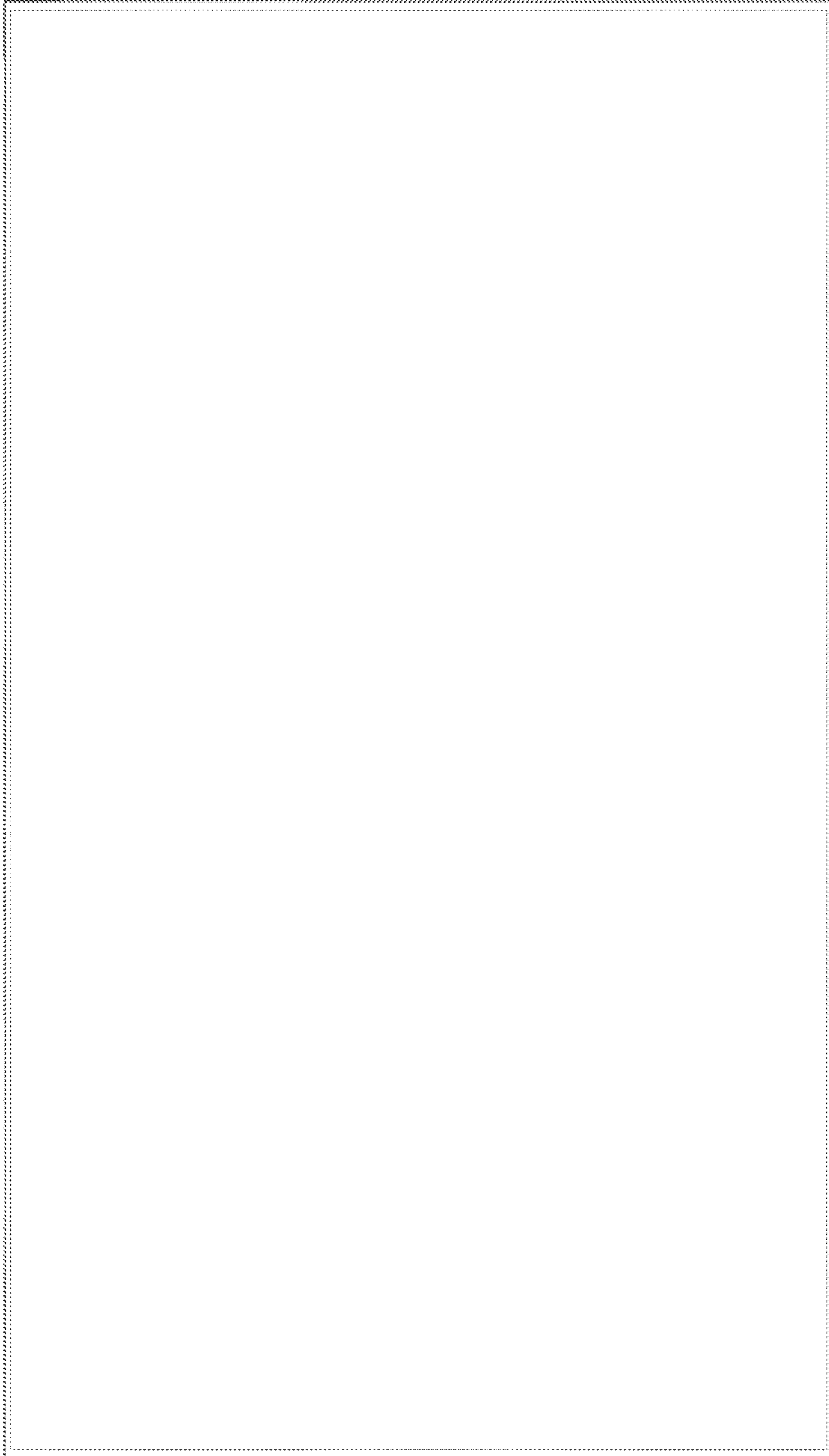


FIG.4

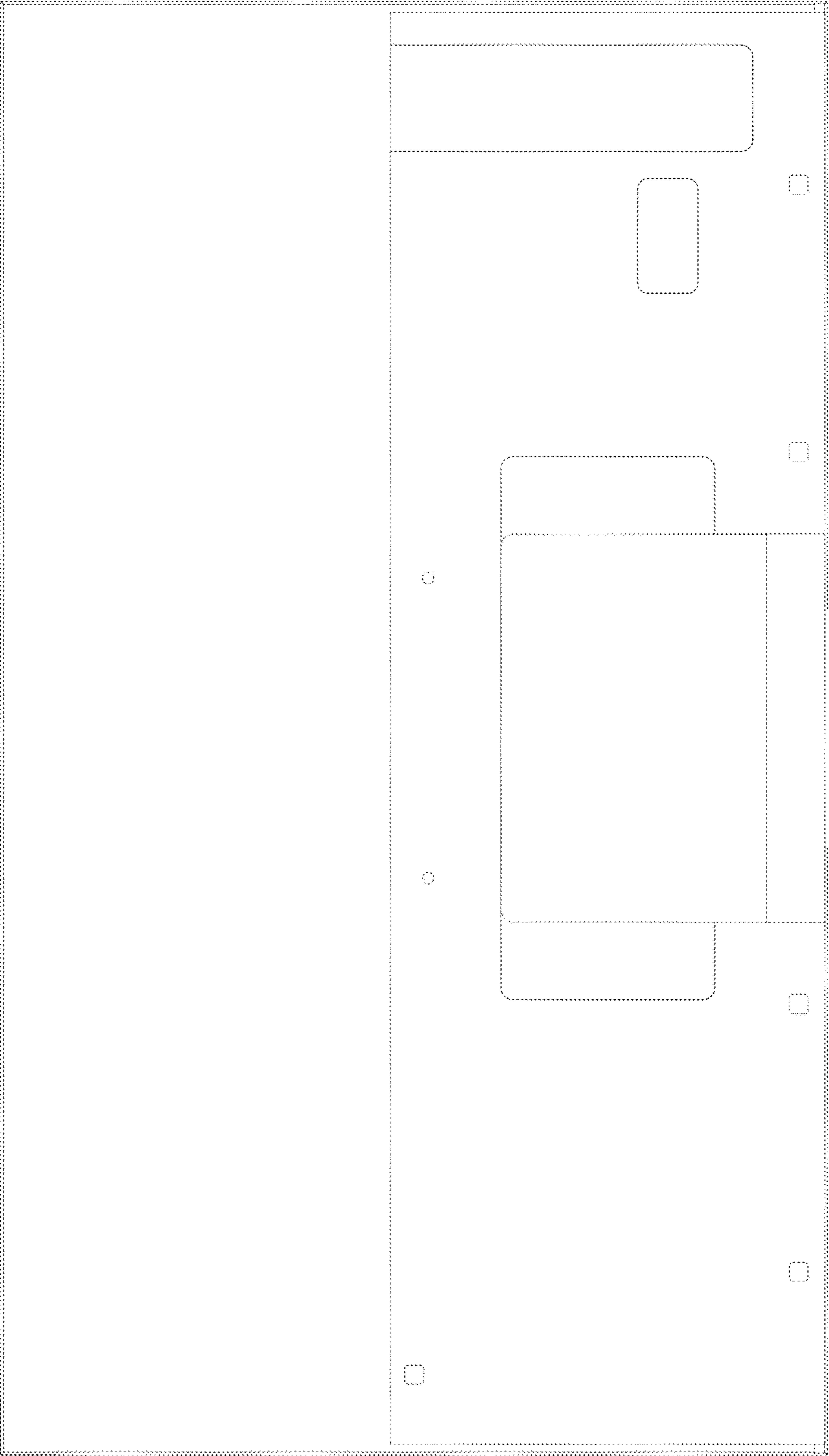


FIG.5

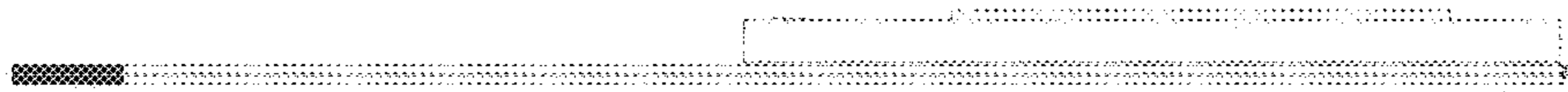


FIG.6



FIG.7

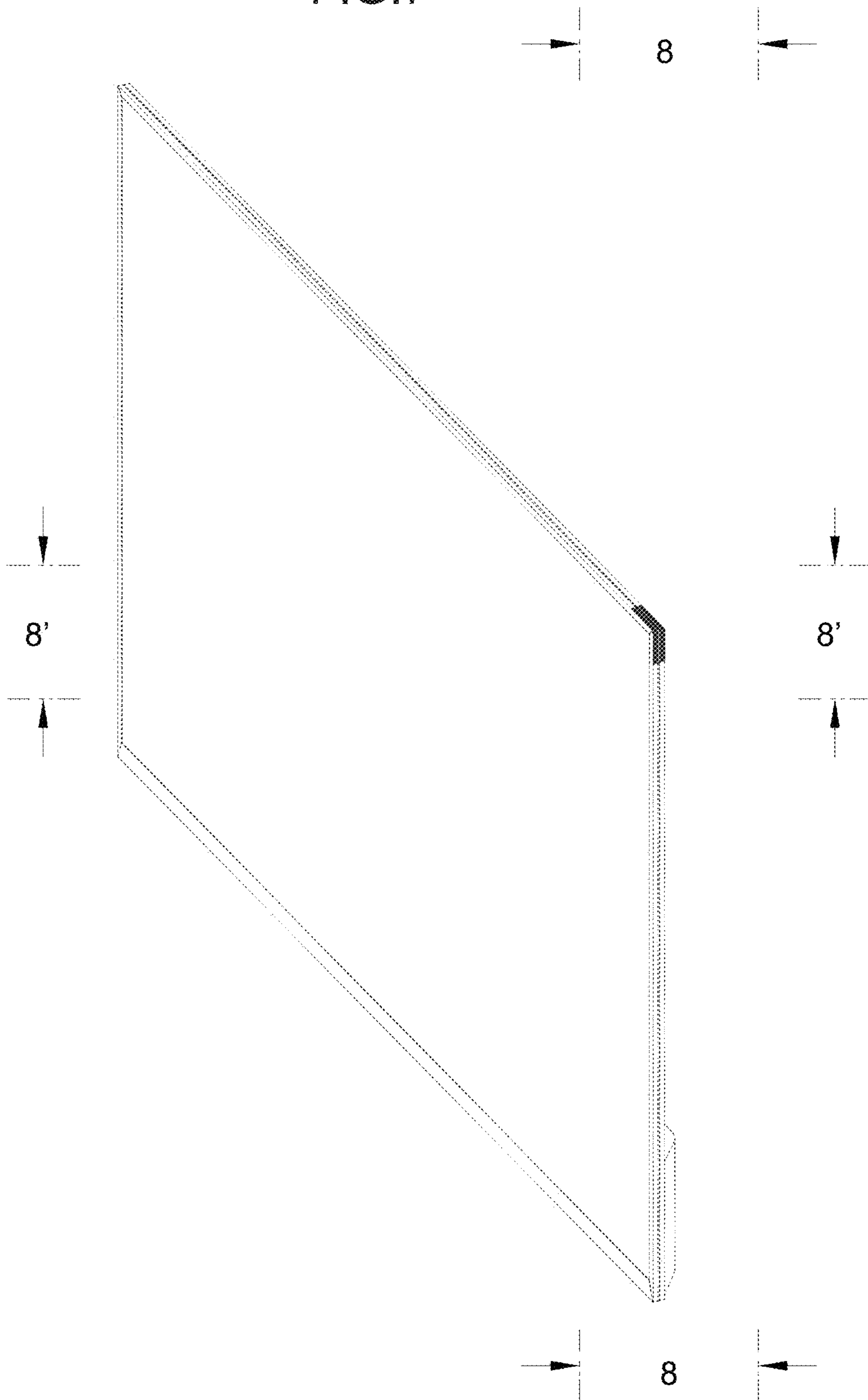




FIG.8

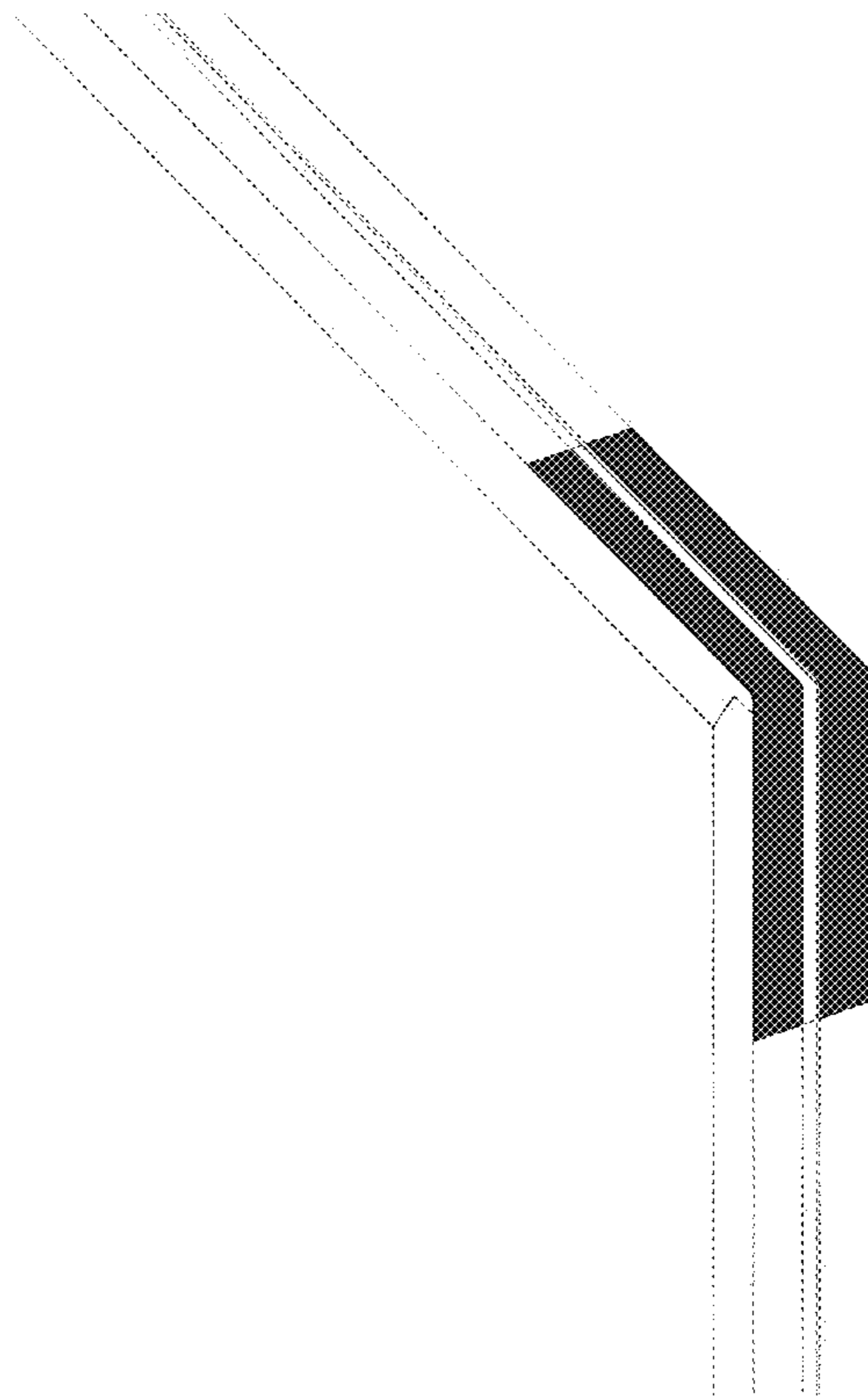


FIG.9

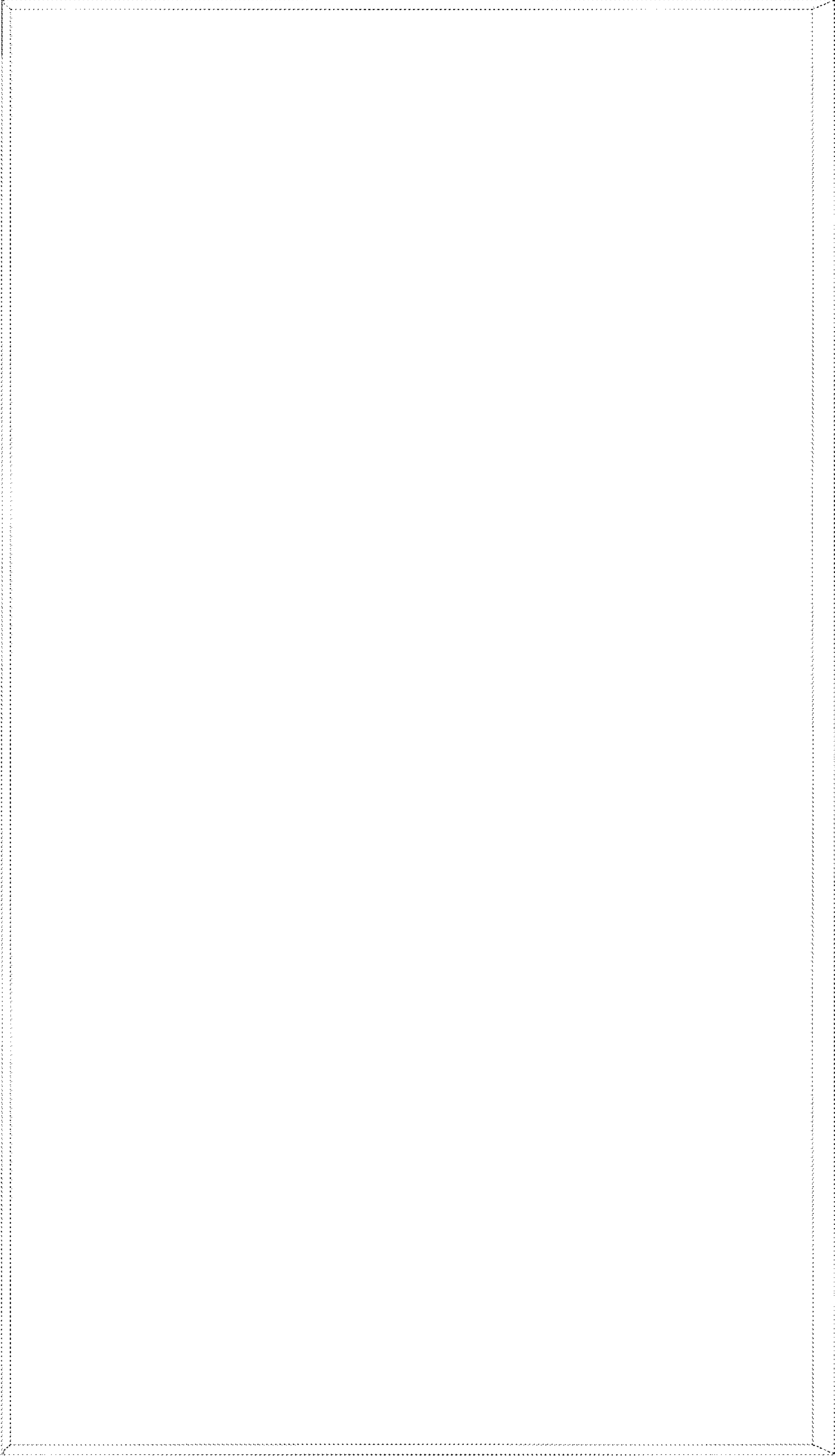


FIG.10

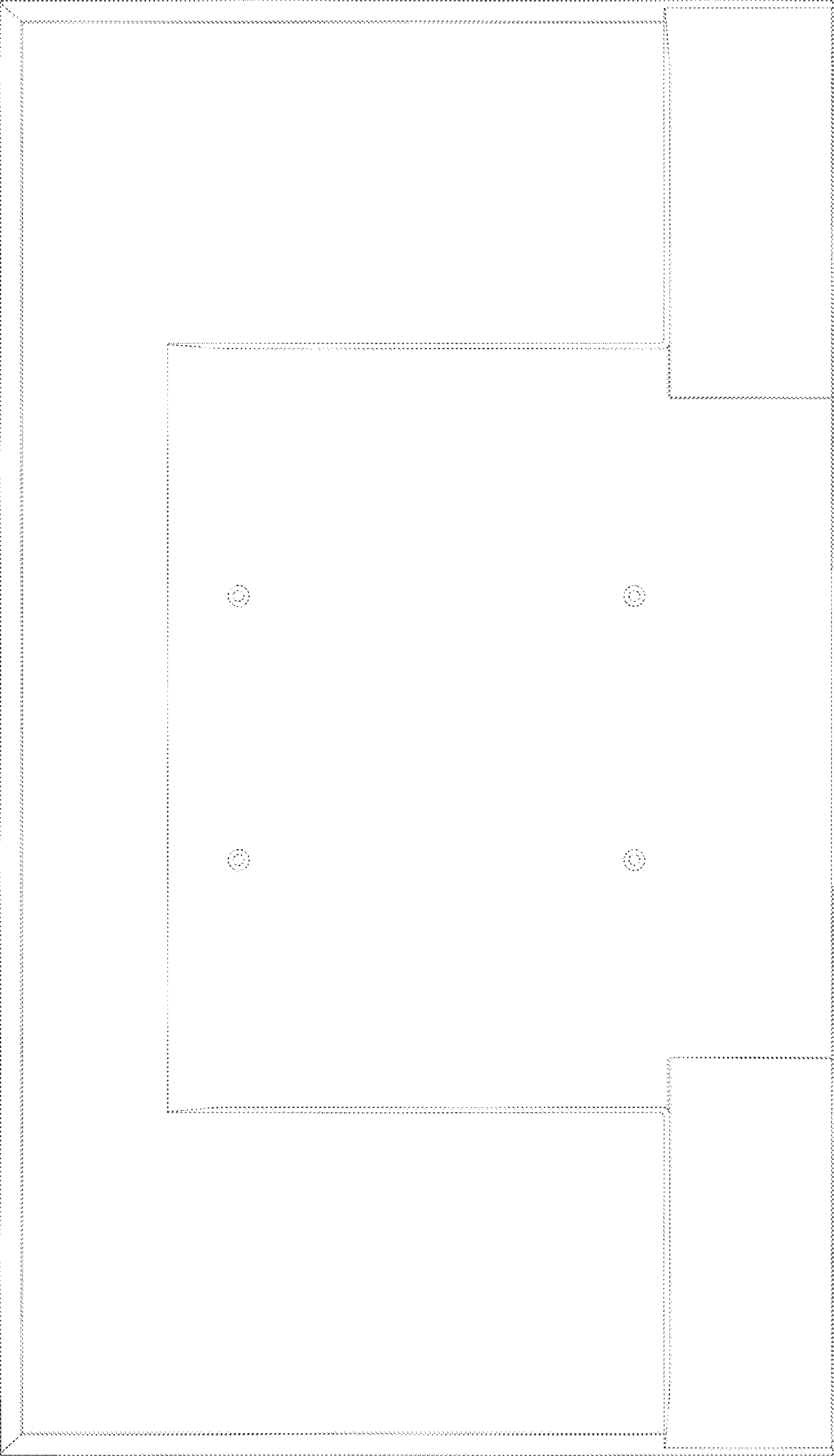


FIG.11

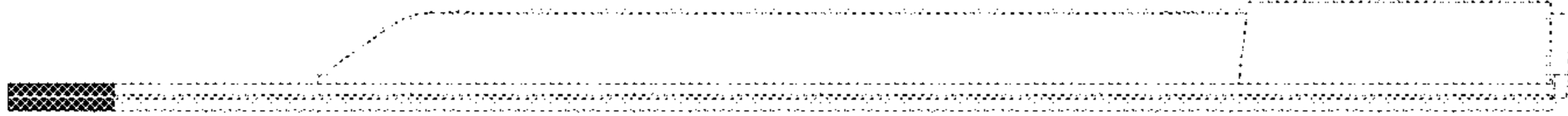


FIG.12

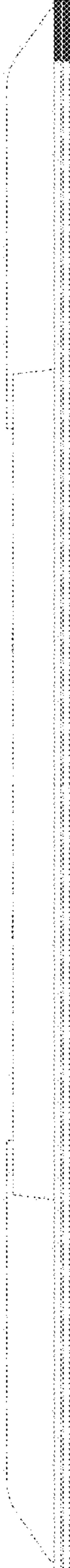


FIG. 13

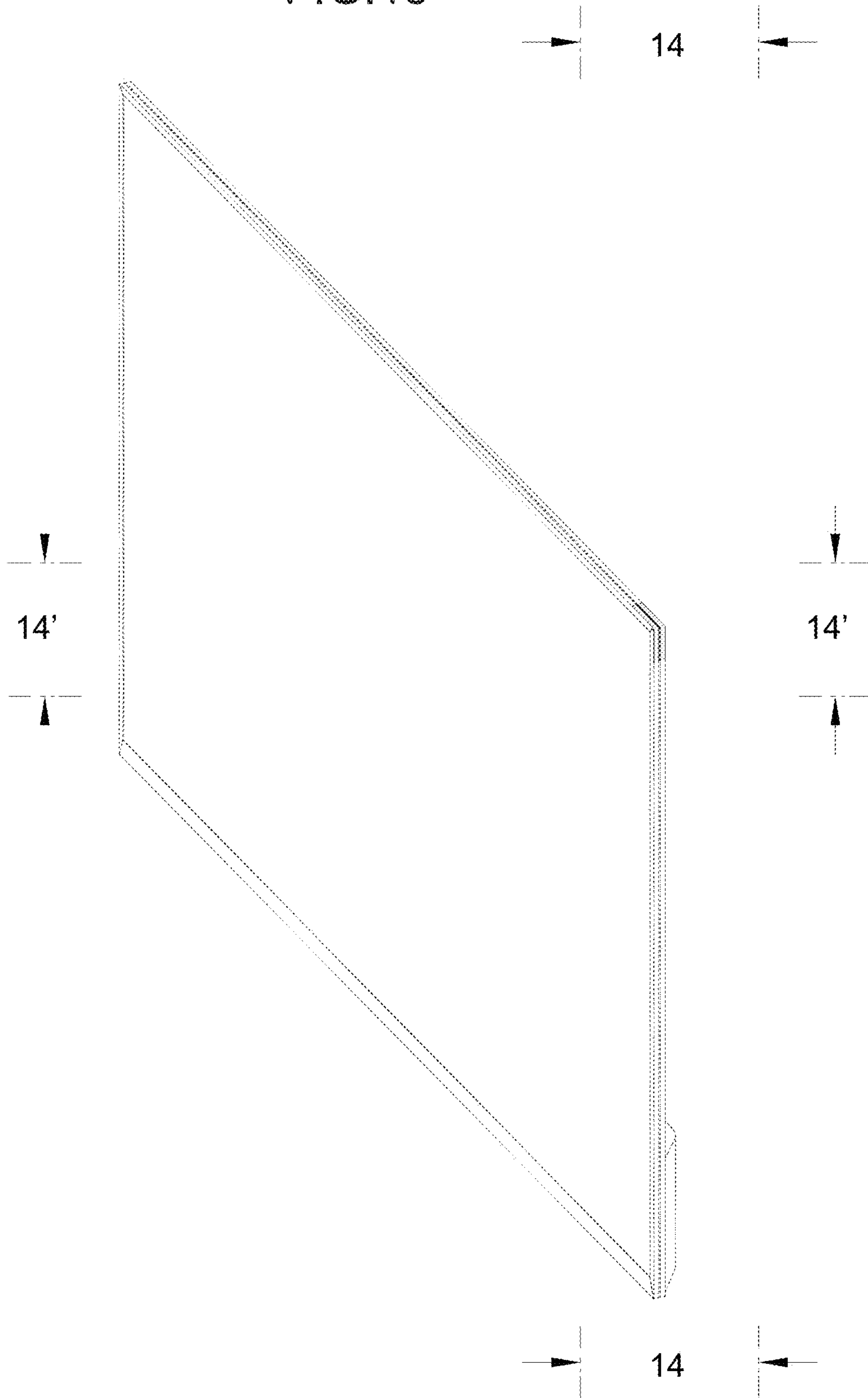


FIG. 14

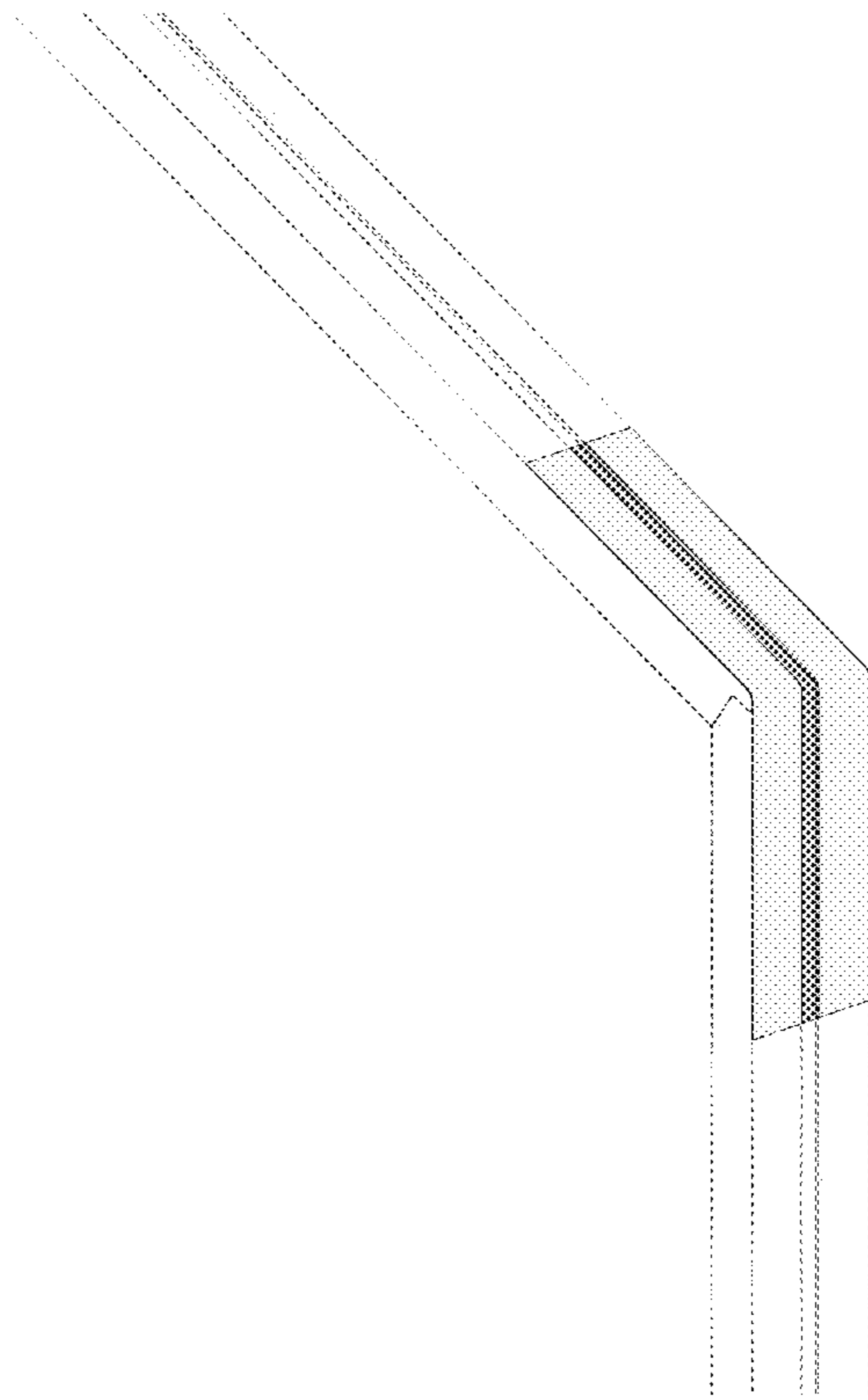


FIG.15

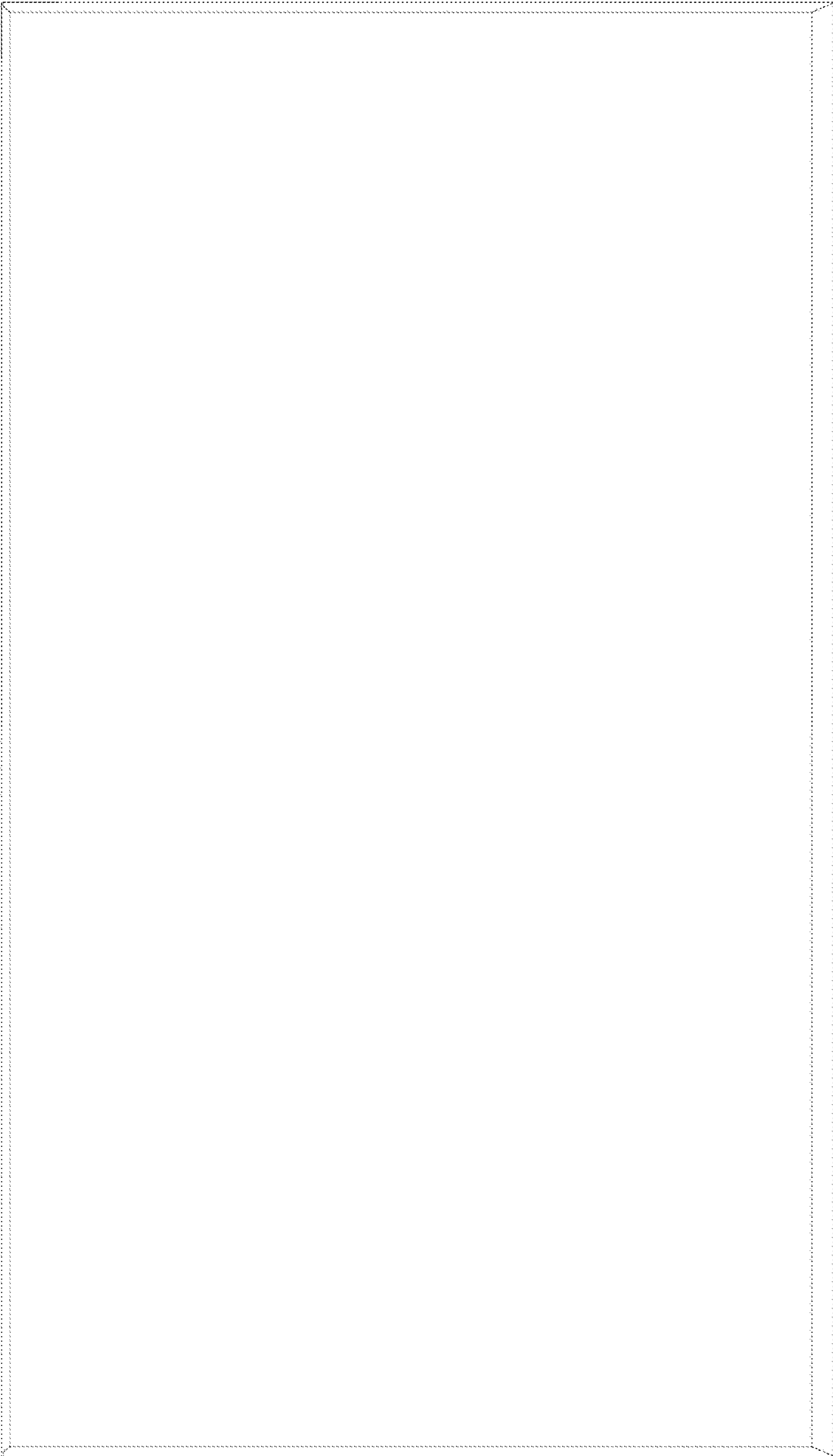


FIG.16

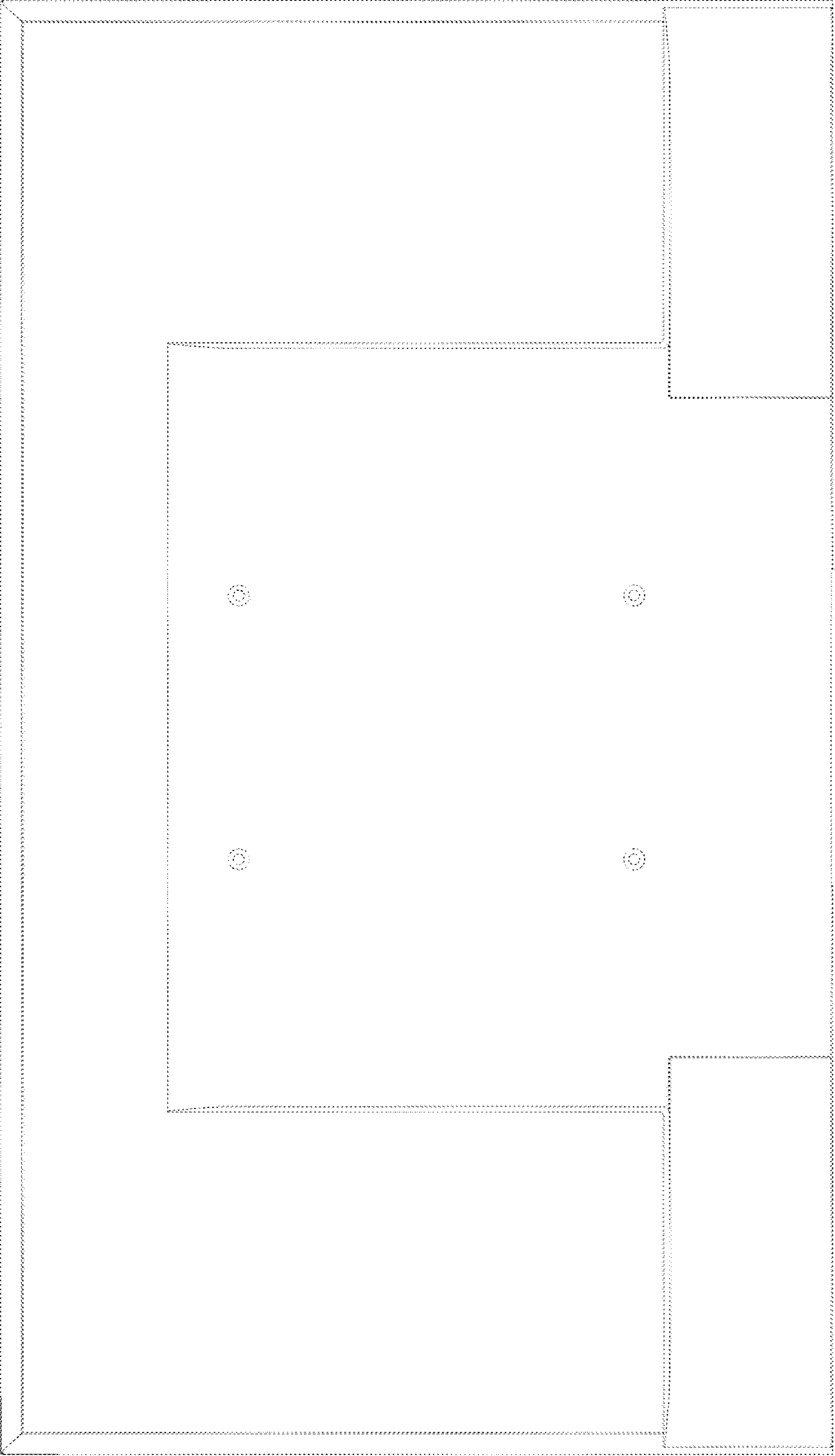




FIG.17

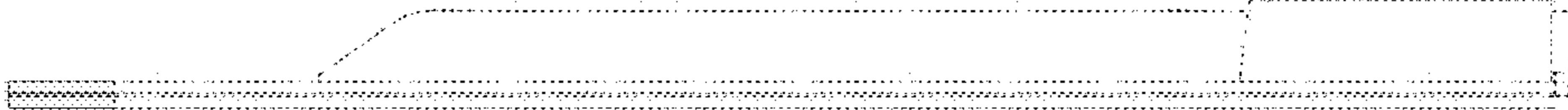


FIG.18

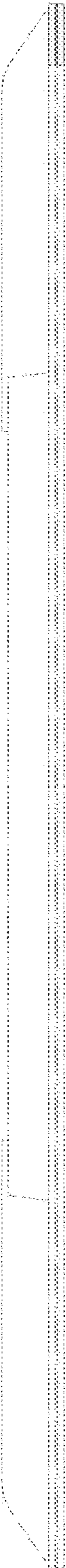


FIG. 19

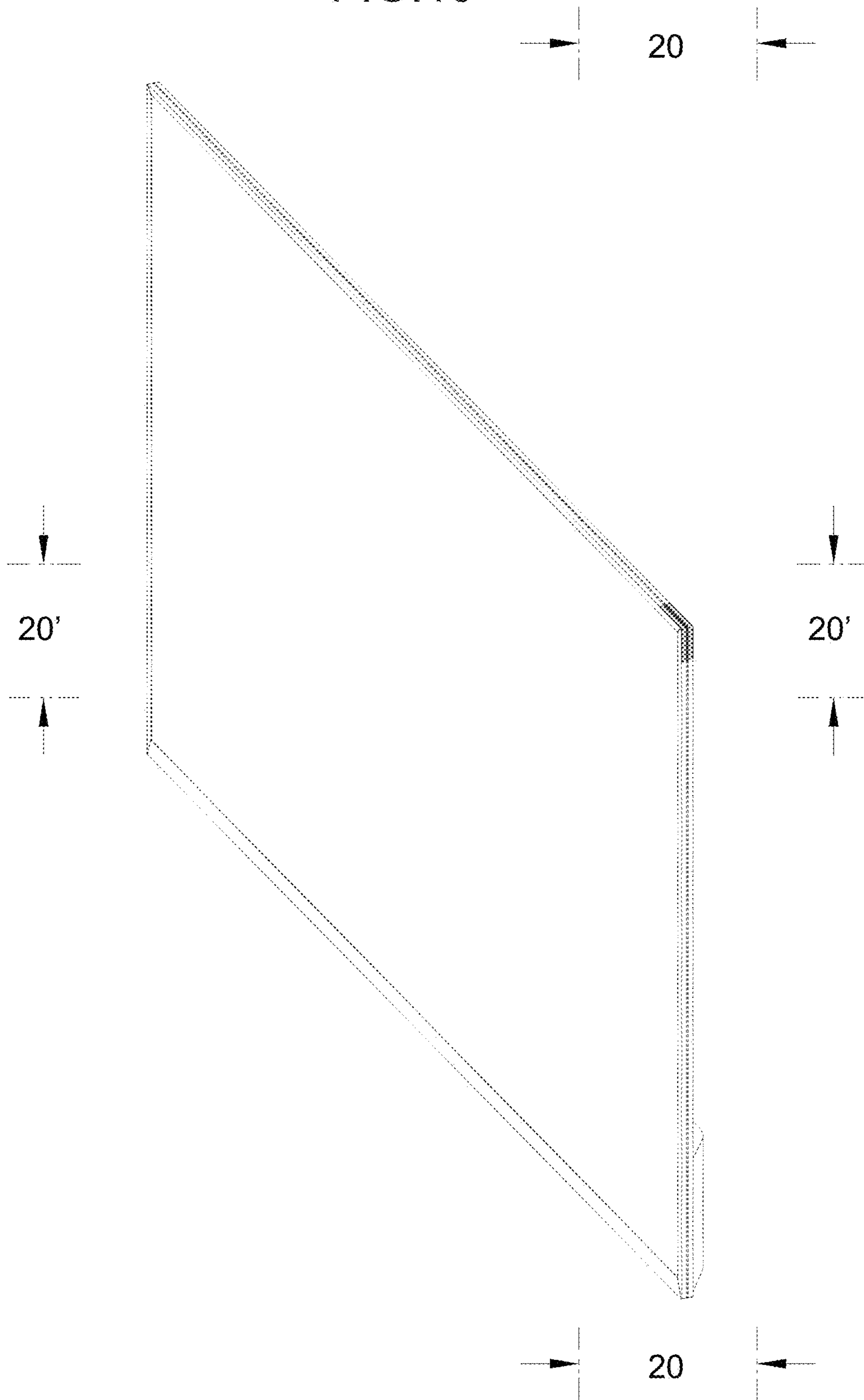


FIG.20

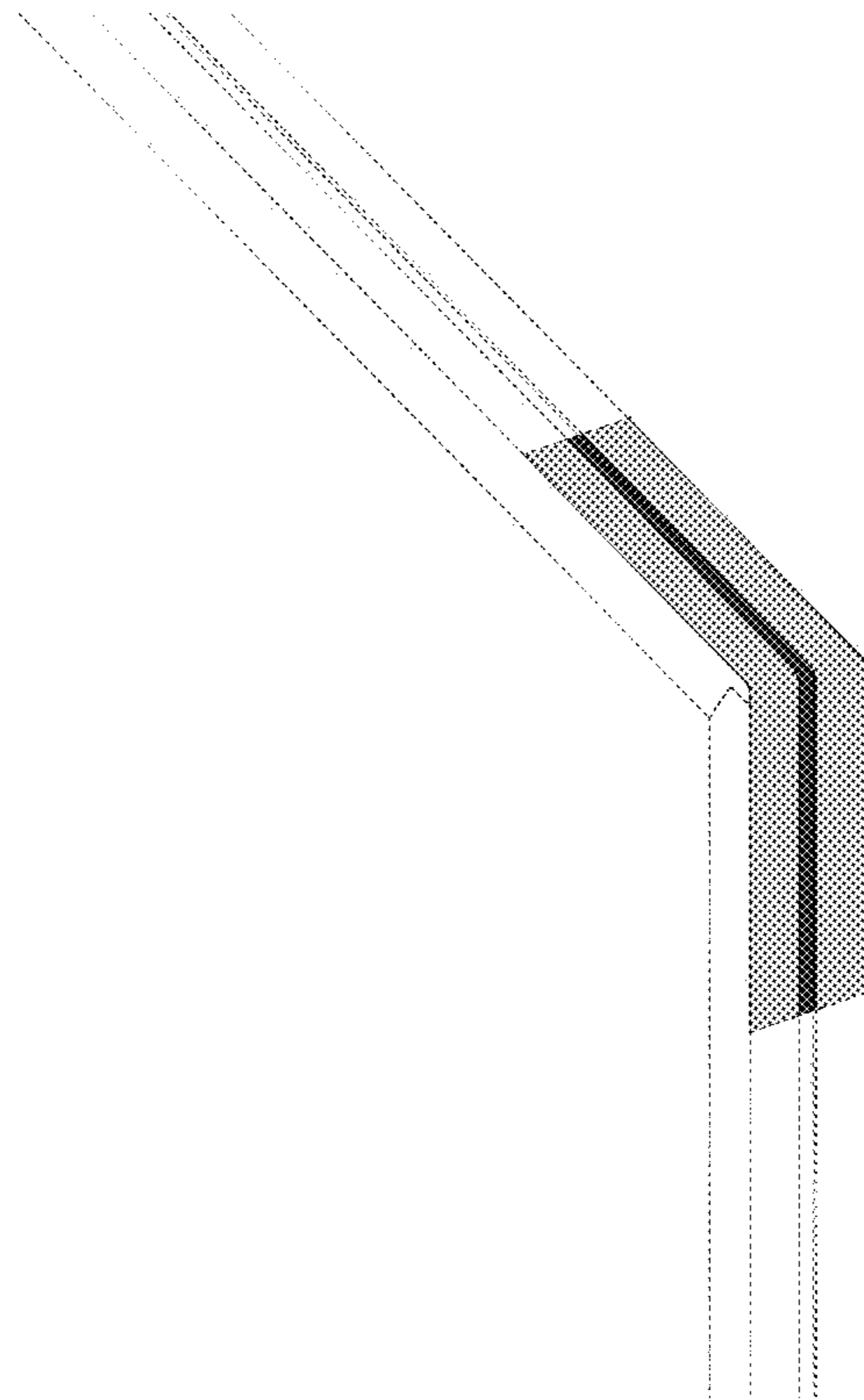


FIG.21

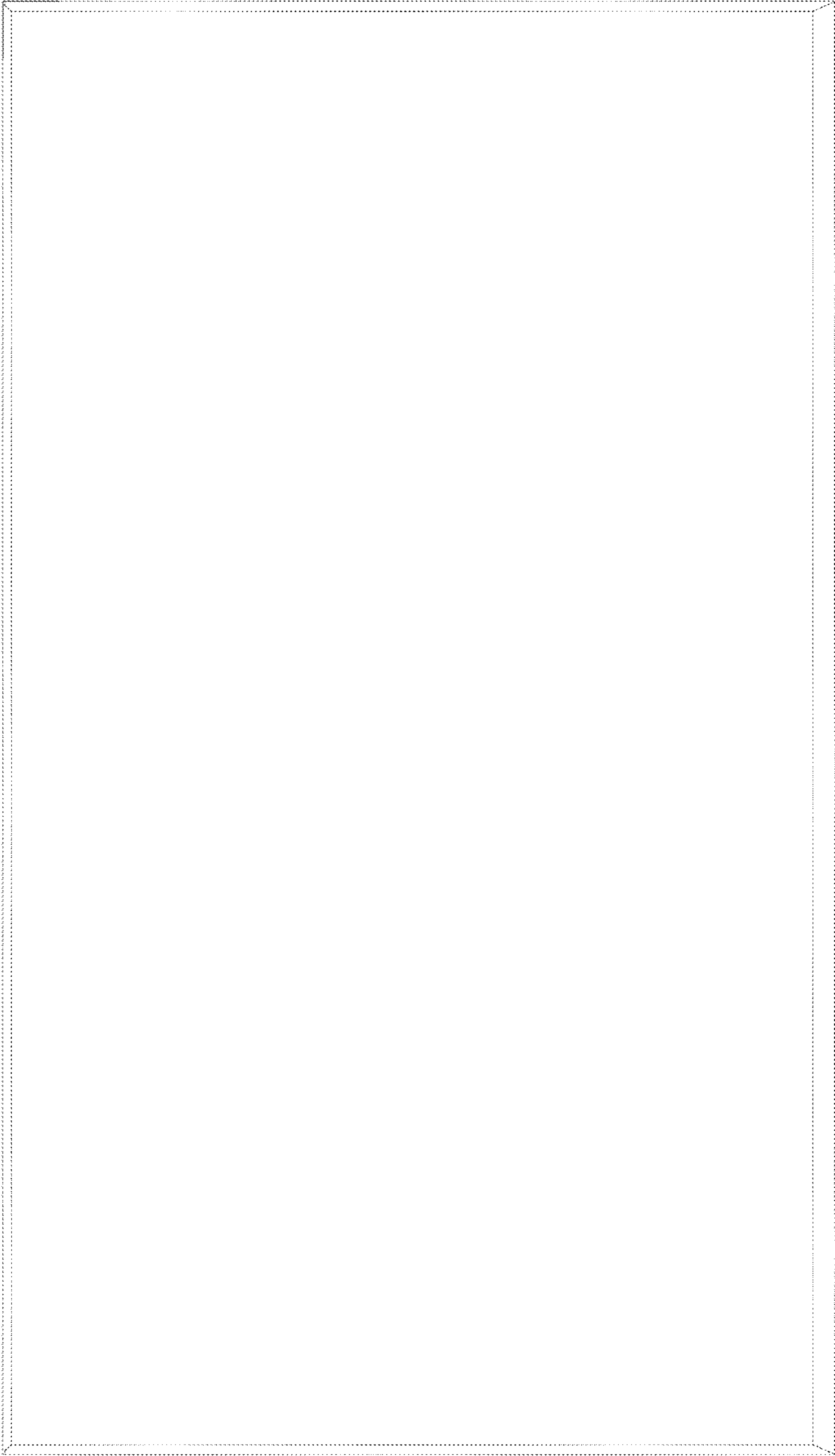


FIG.22

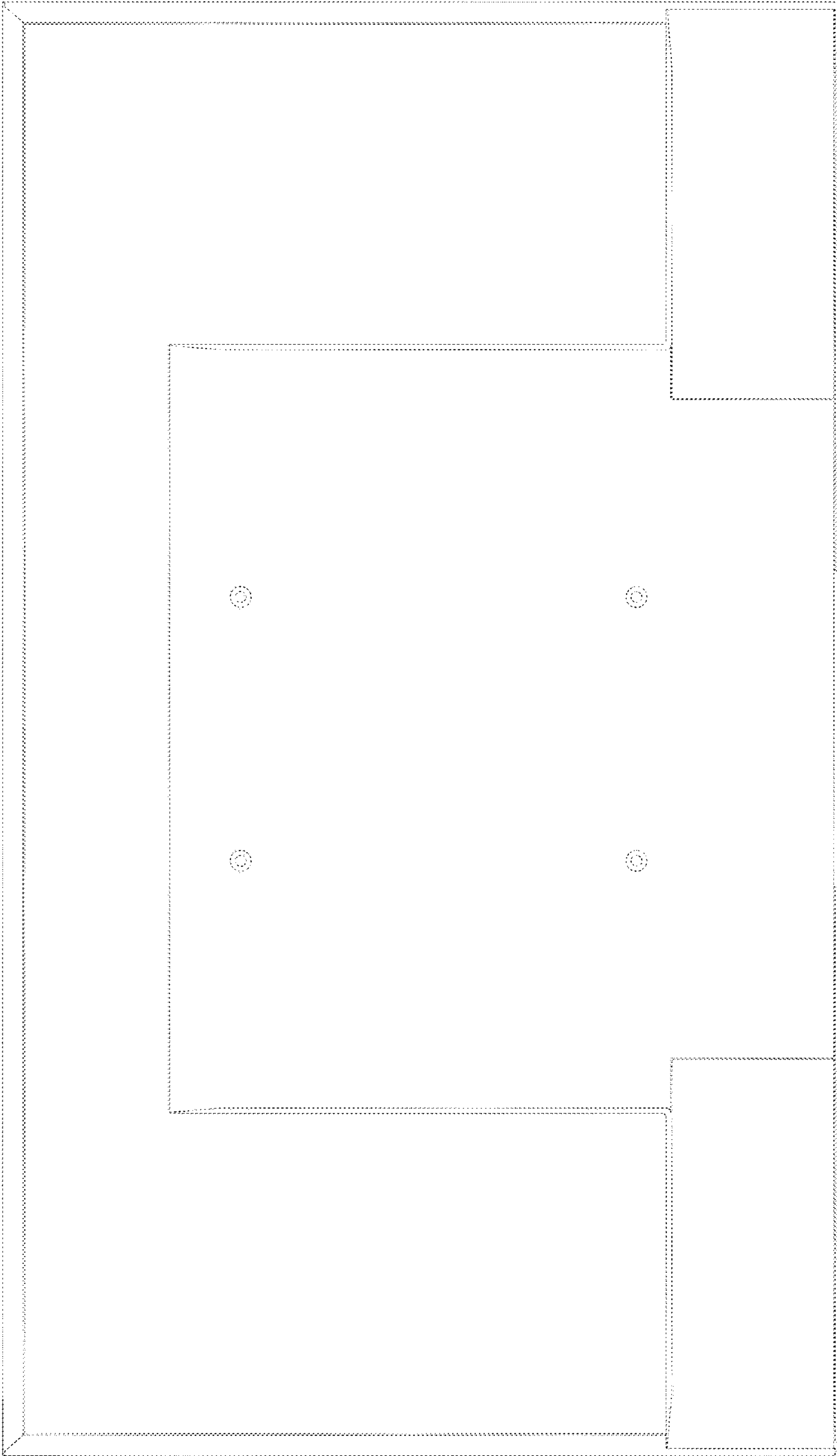


FIG.23

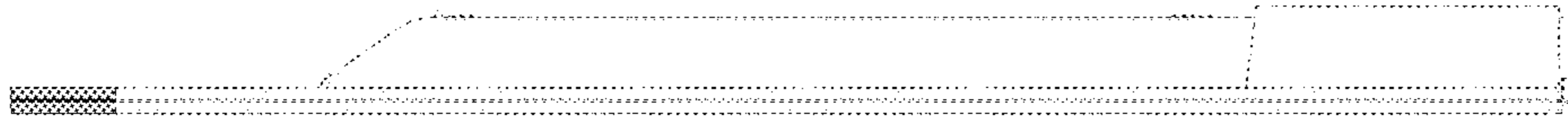


FIG.24

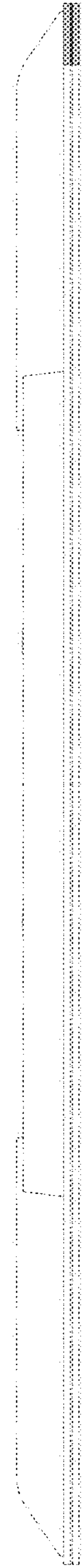


FIG.25

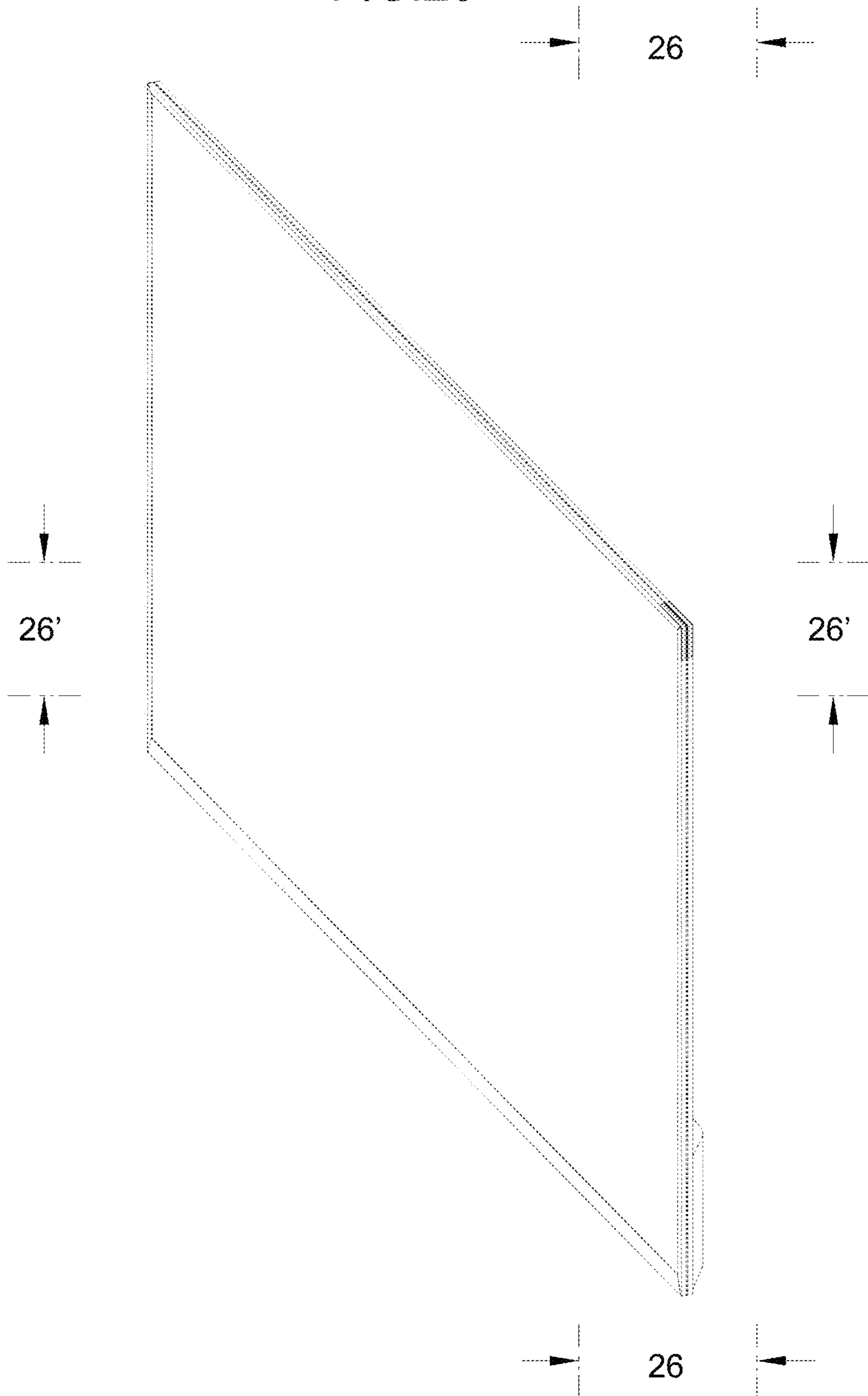


FIG.26

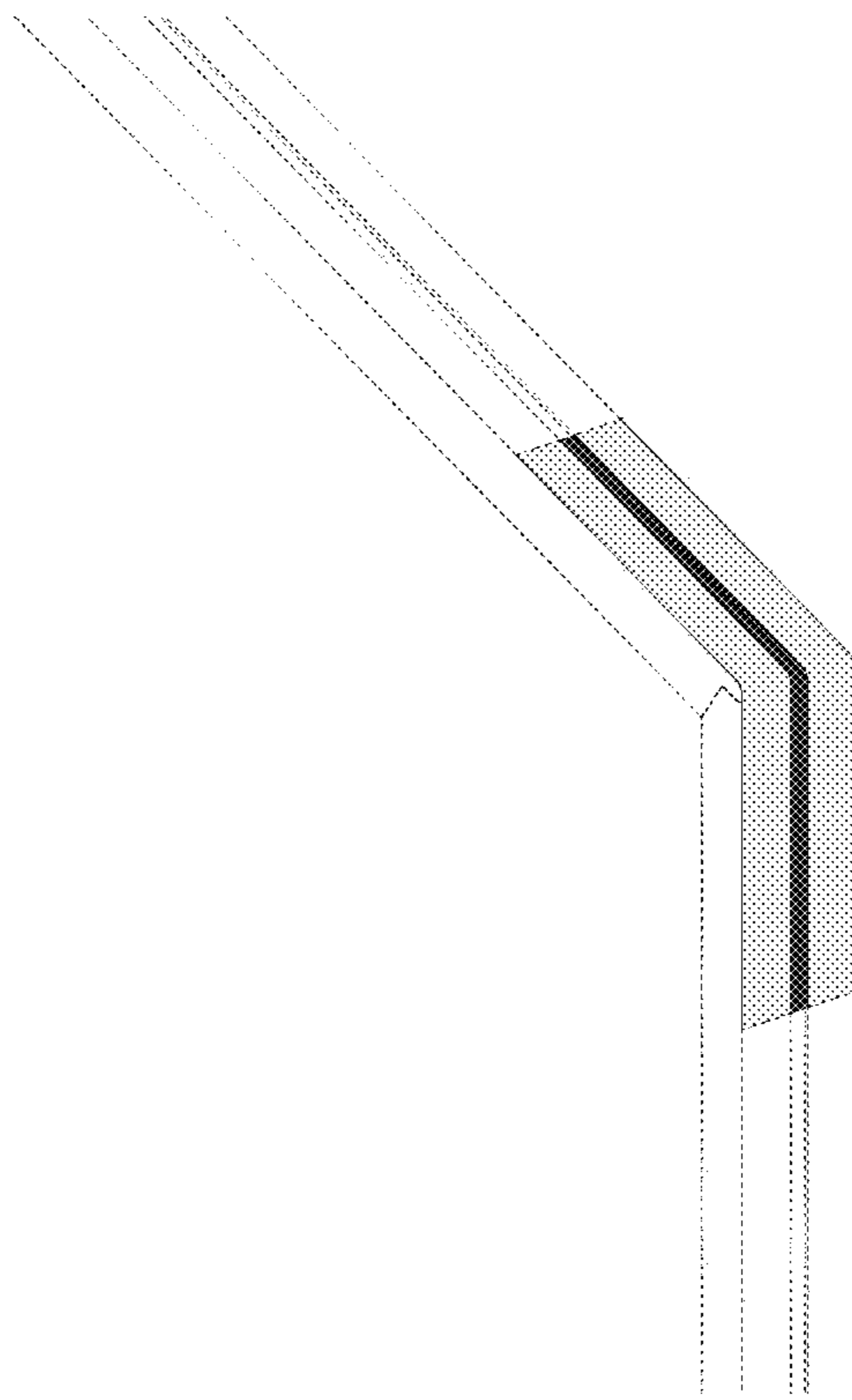




FIG.27

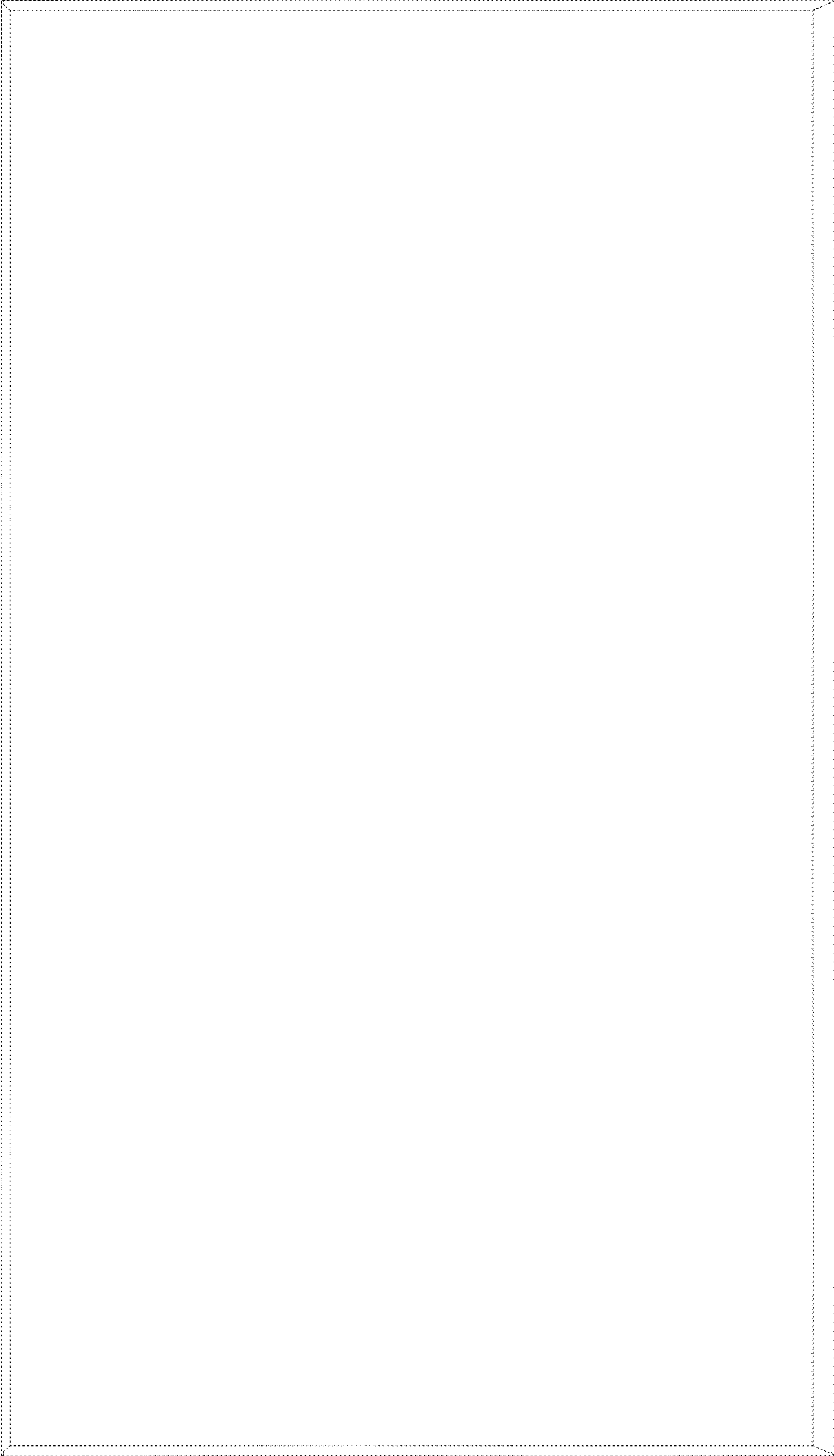


FIG.28

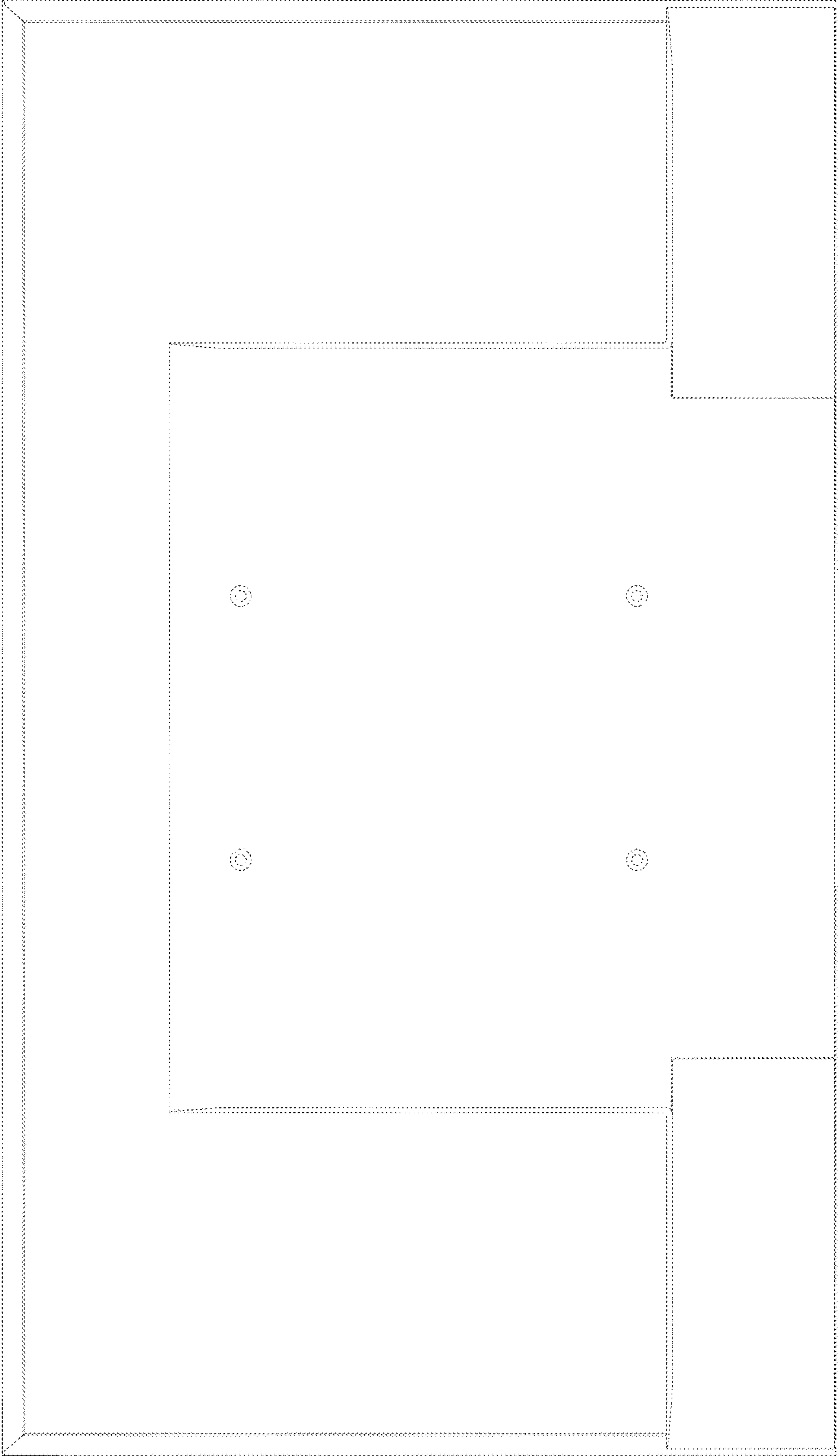


FIG.29

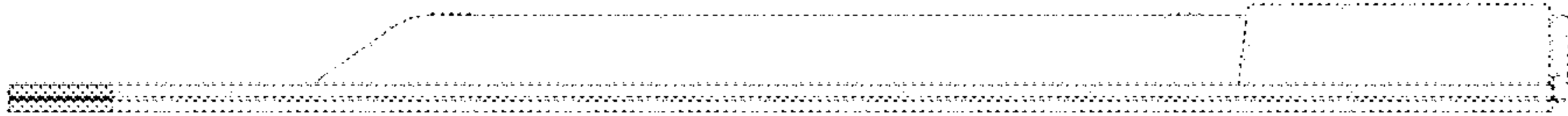


FIG.30

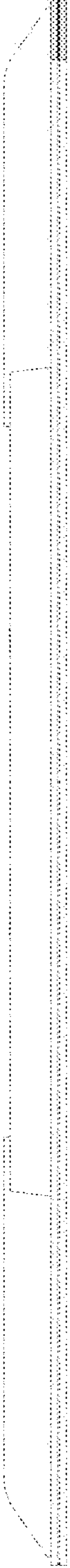


FIG.31

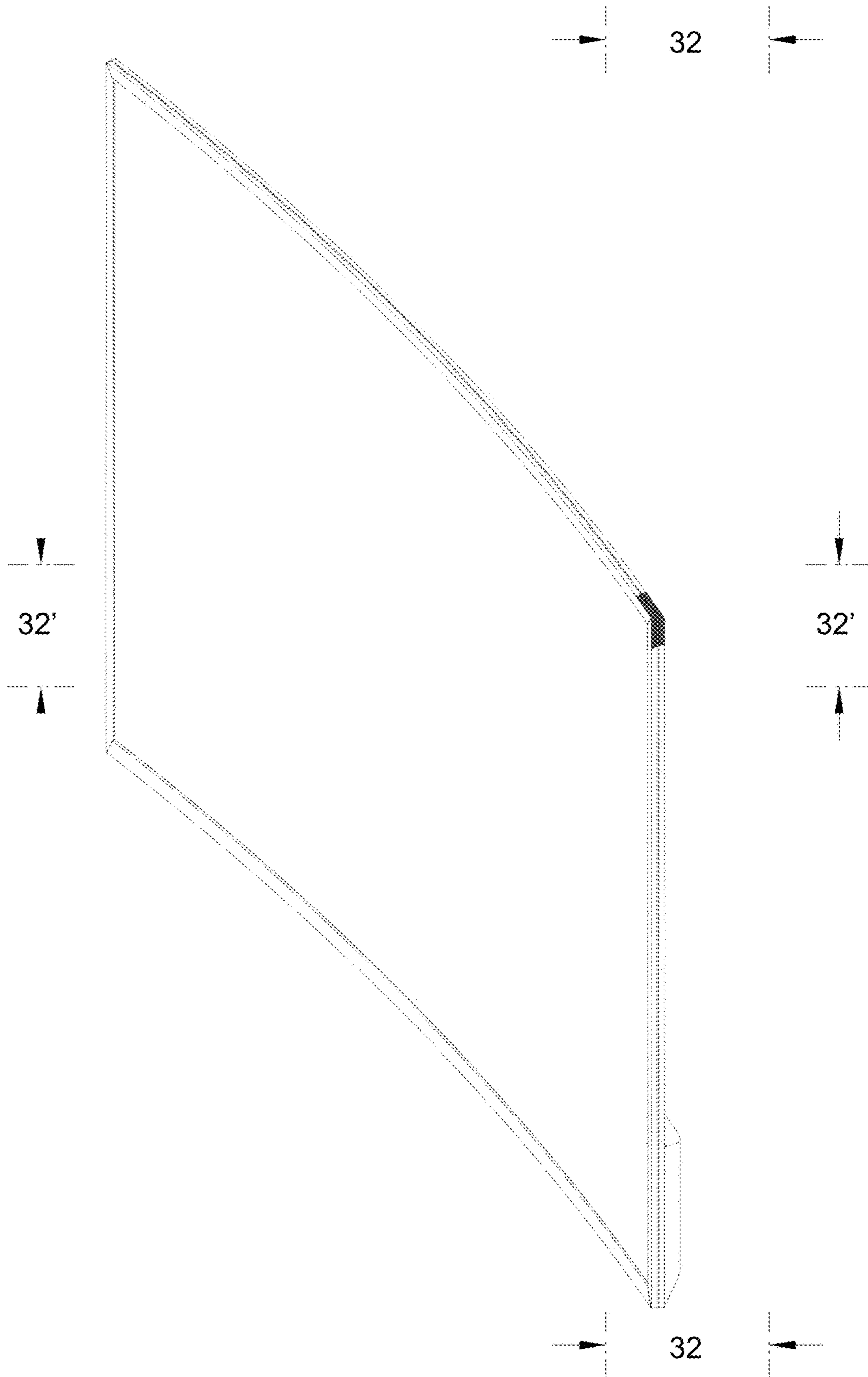


FIG.32

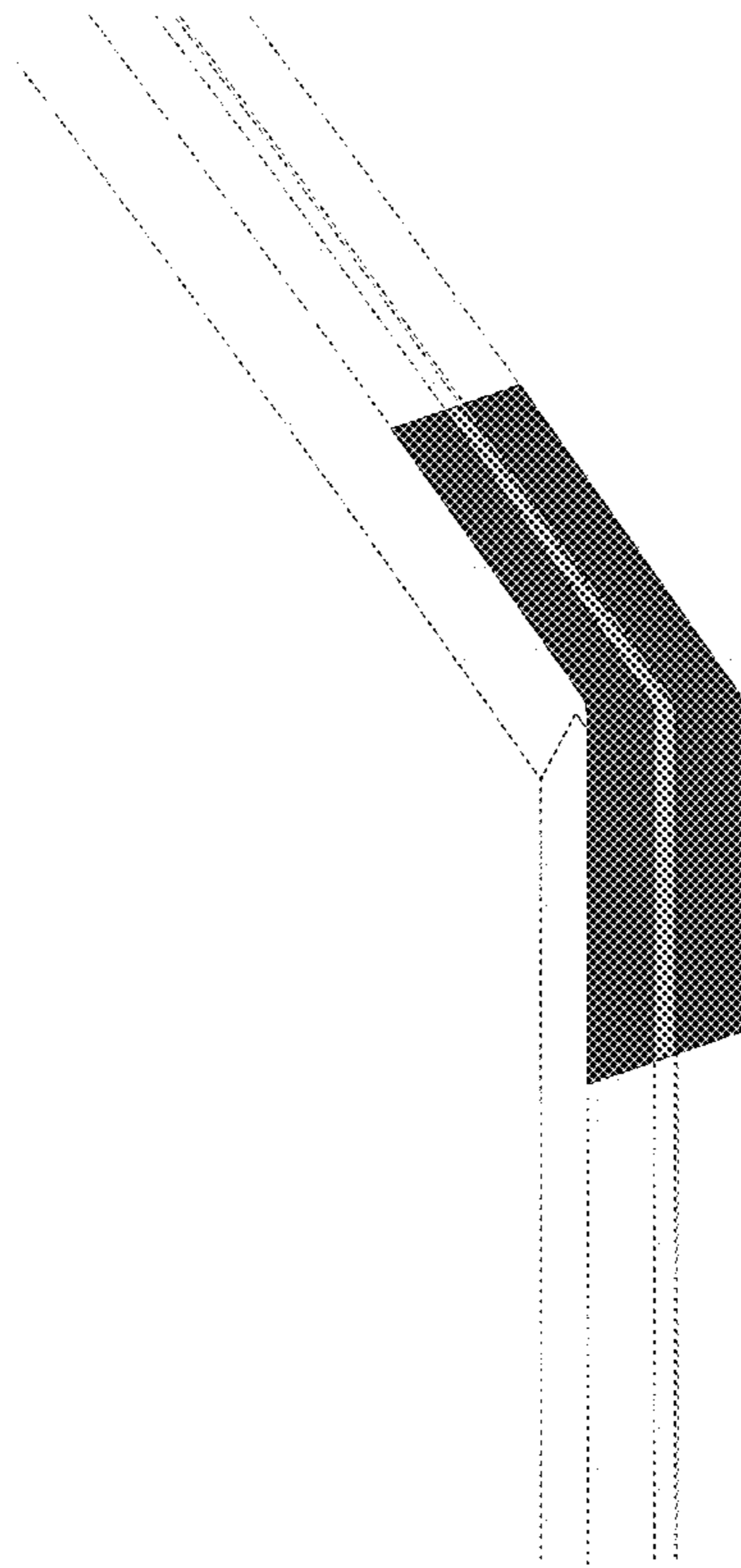


FIG.33



FIG.34

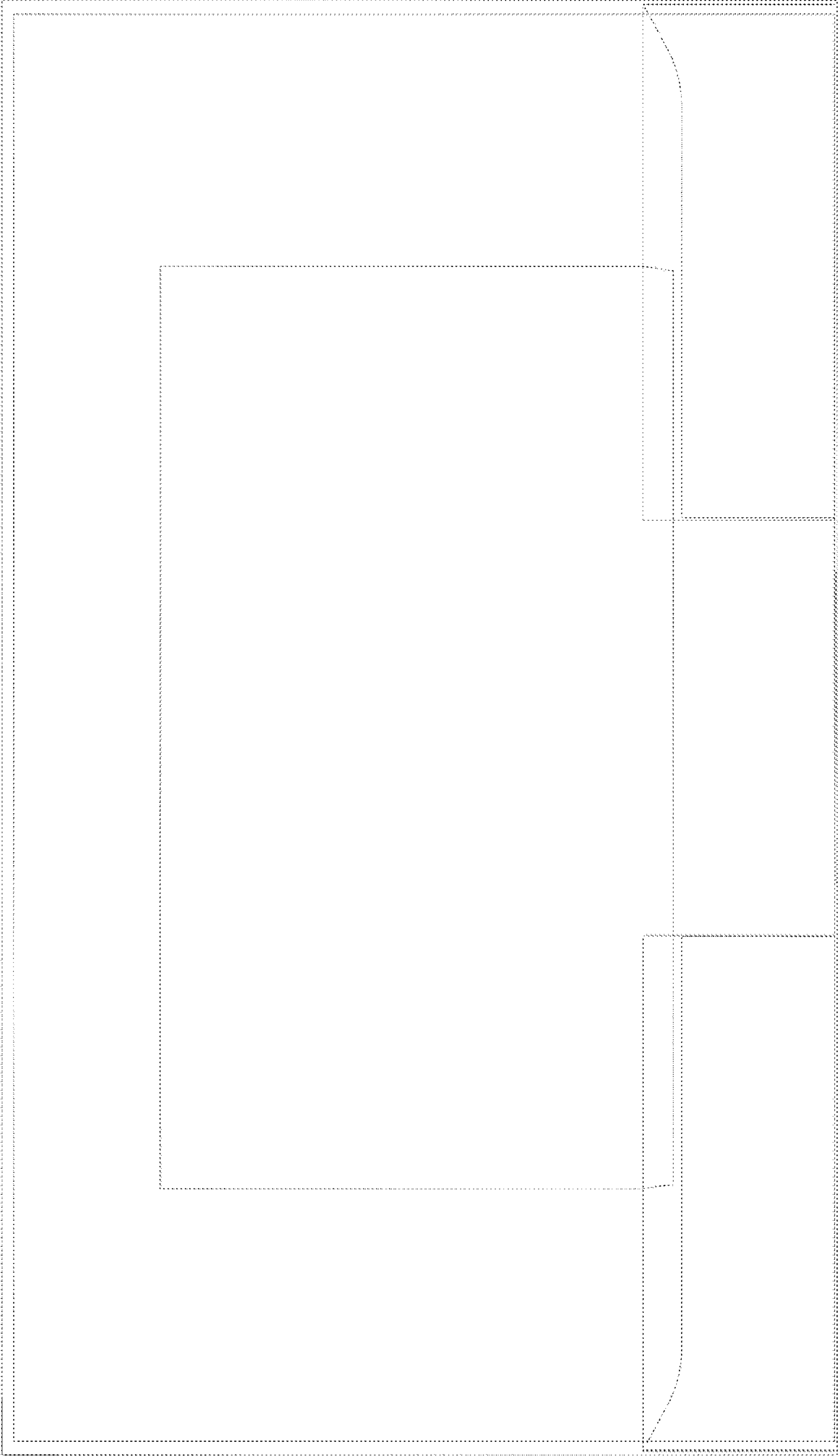


FIG.35

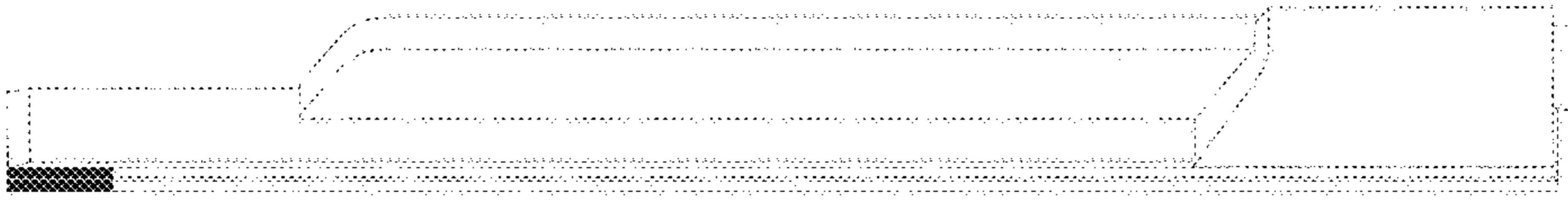


FIG.36

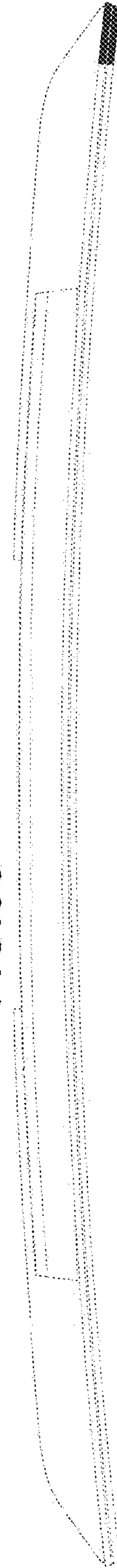




FIG.37

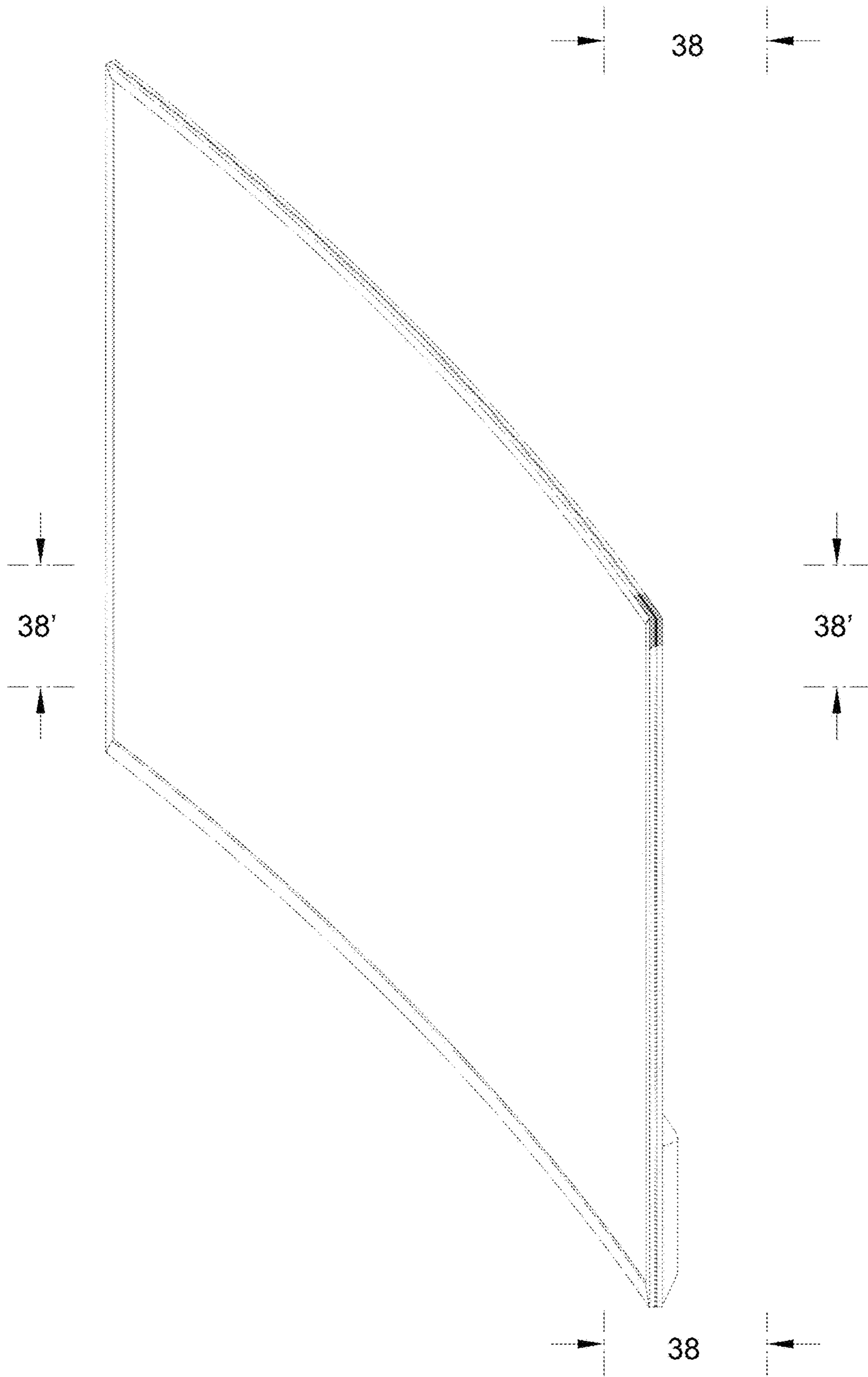


FIG.38

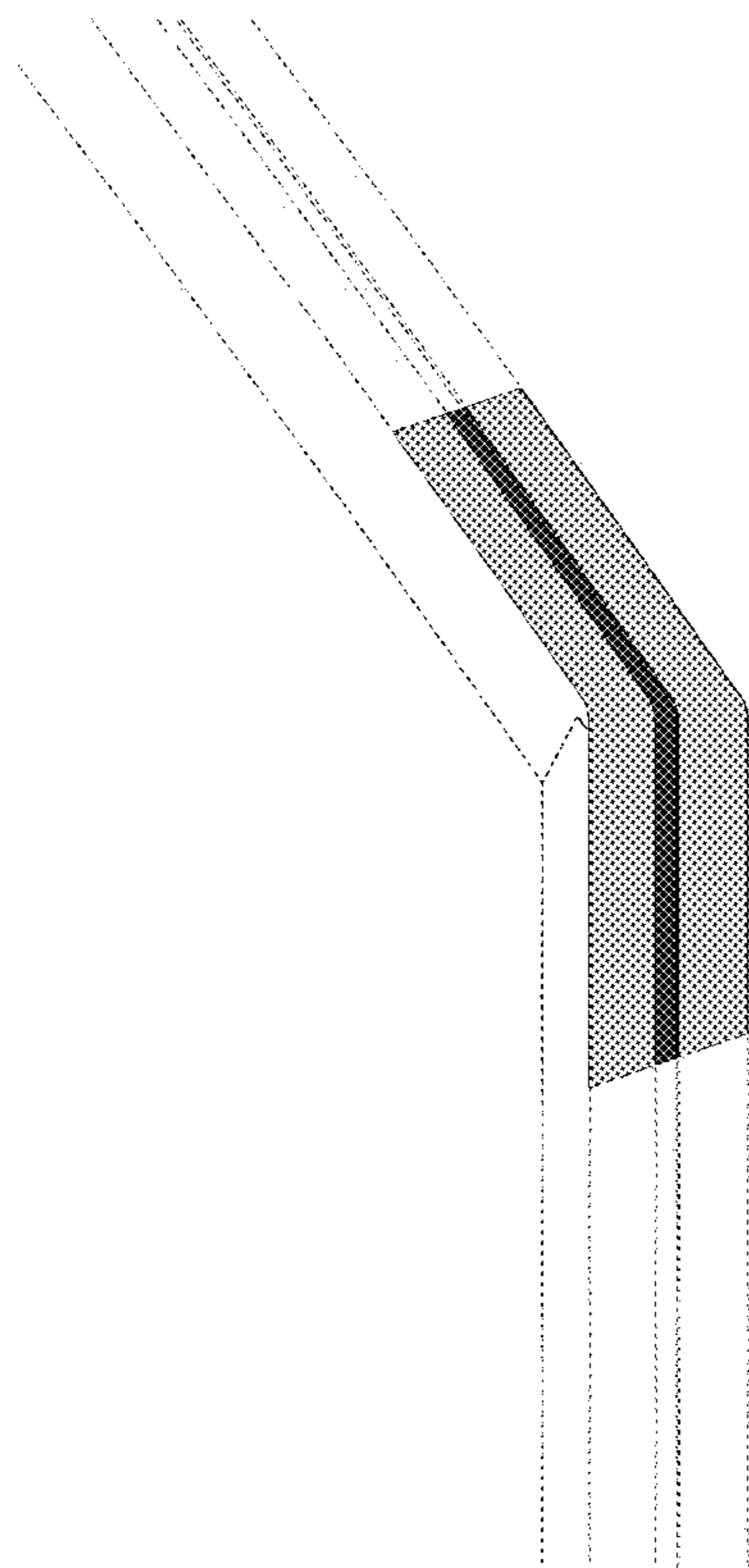


FIG. 39

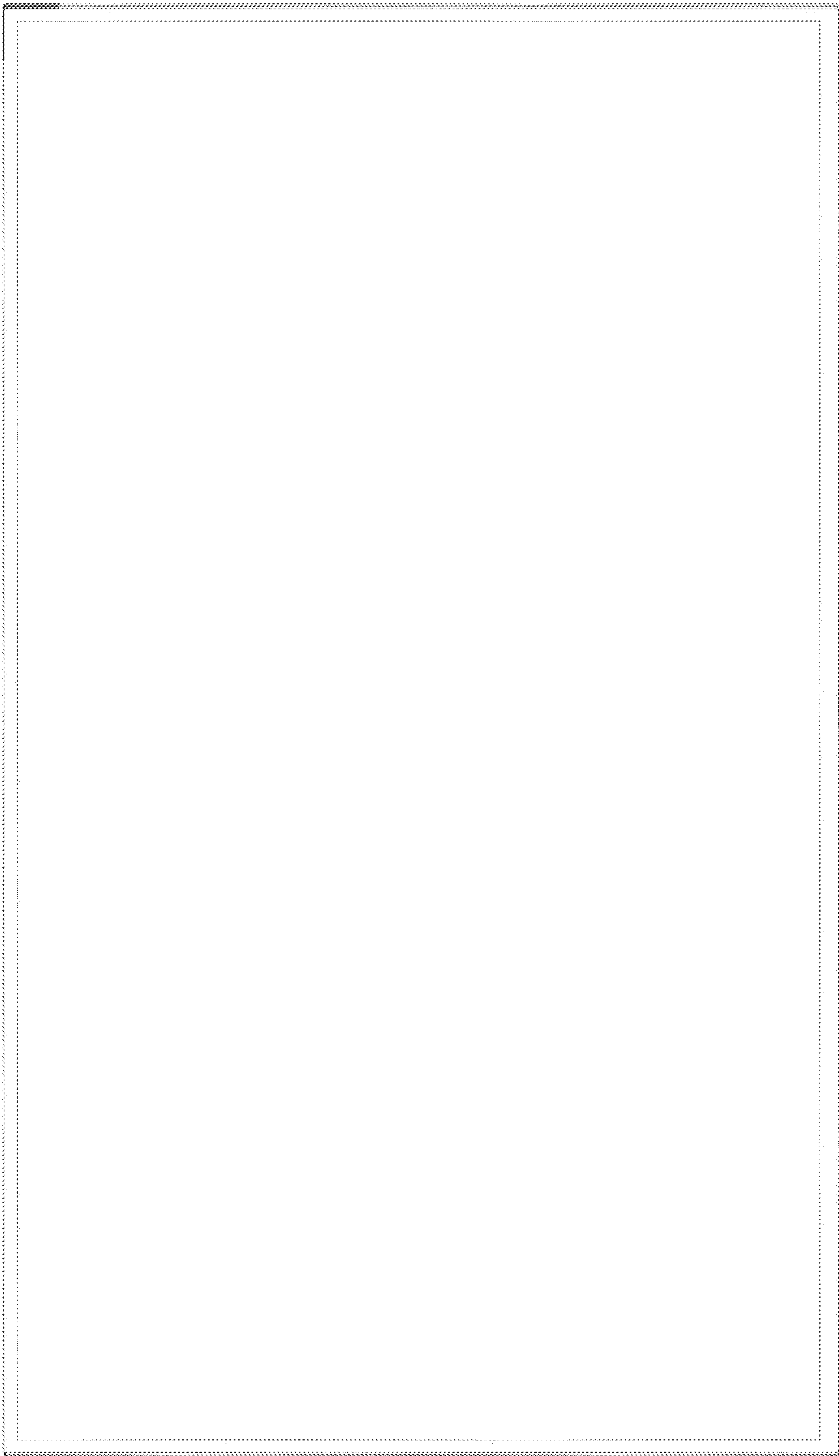


FIG.40

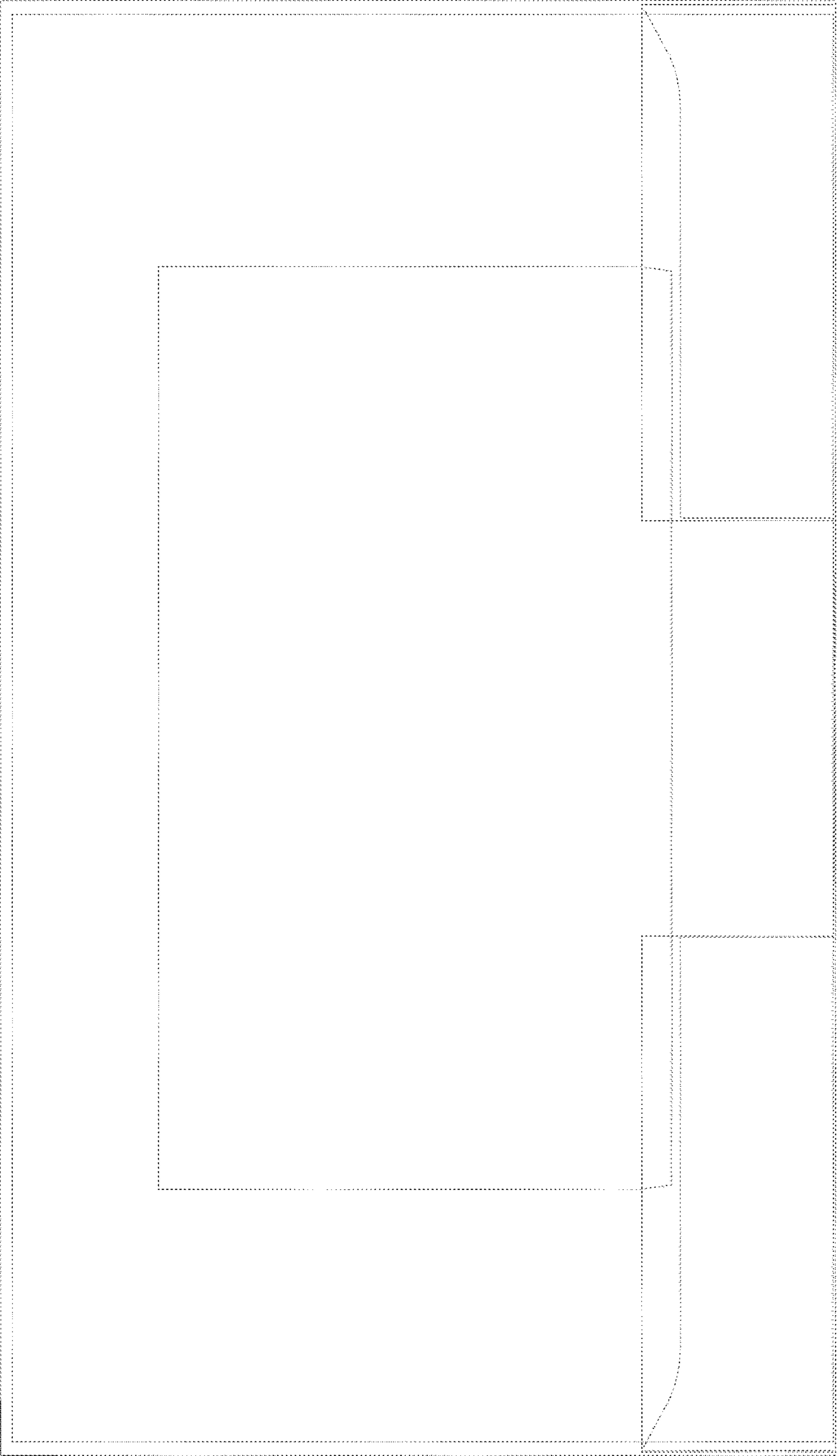


FIG.41

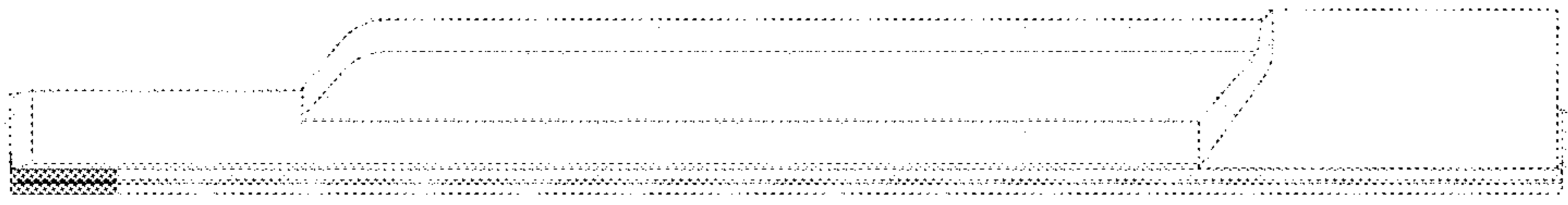


FIG.42

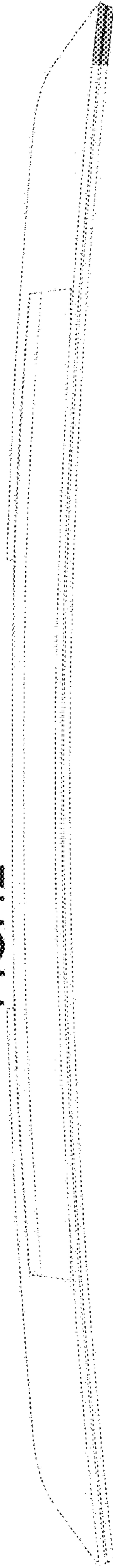


FIG.43

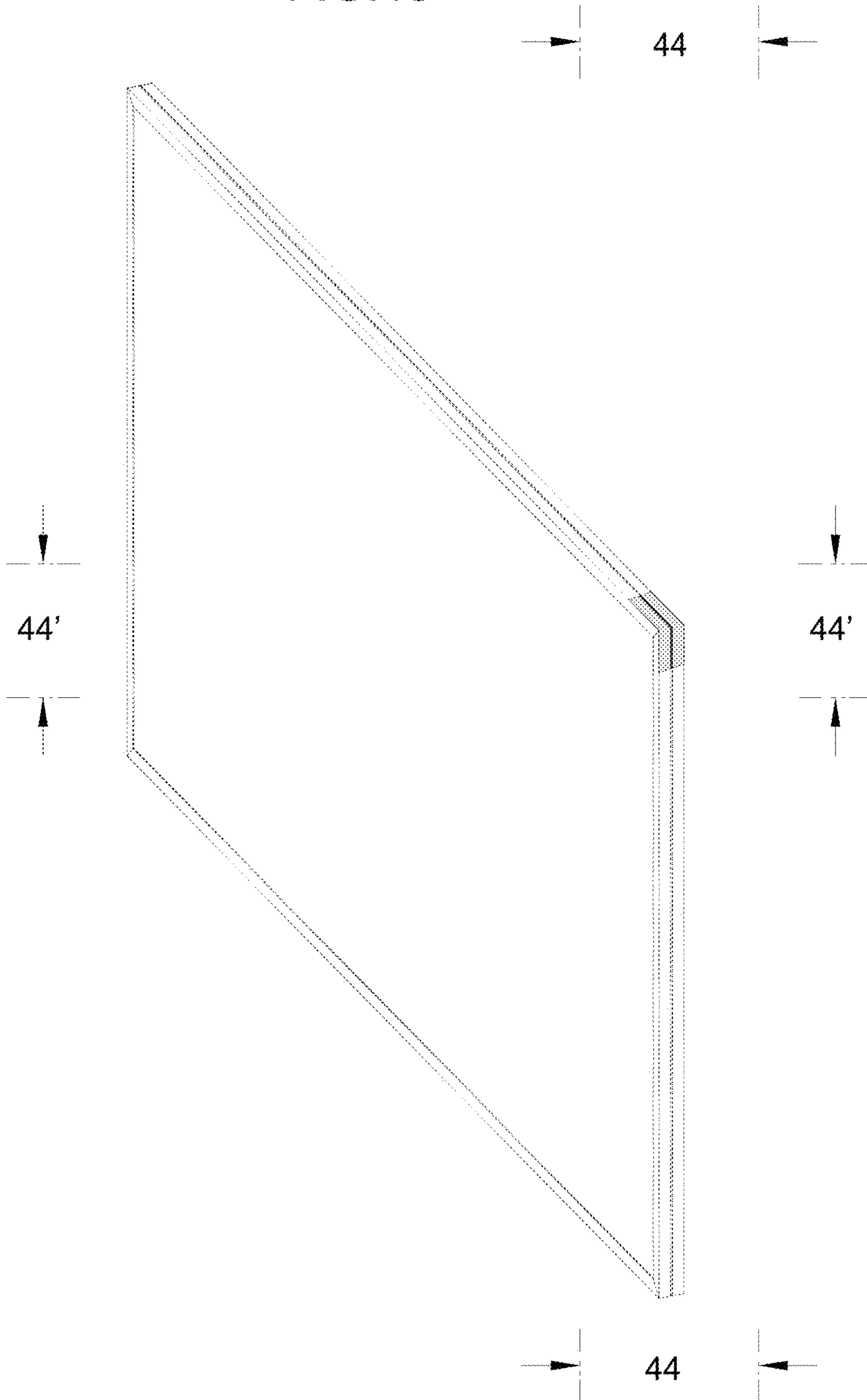


FIG.44

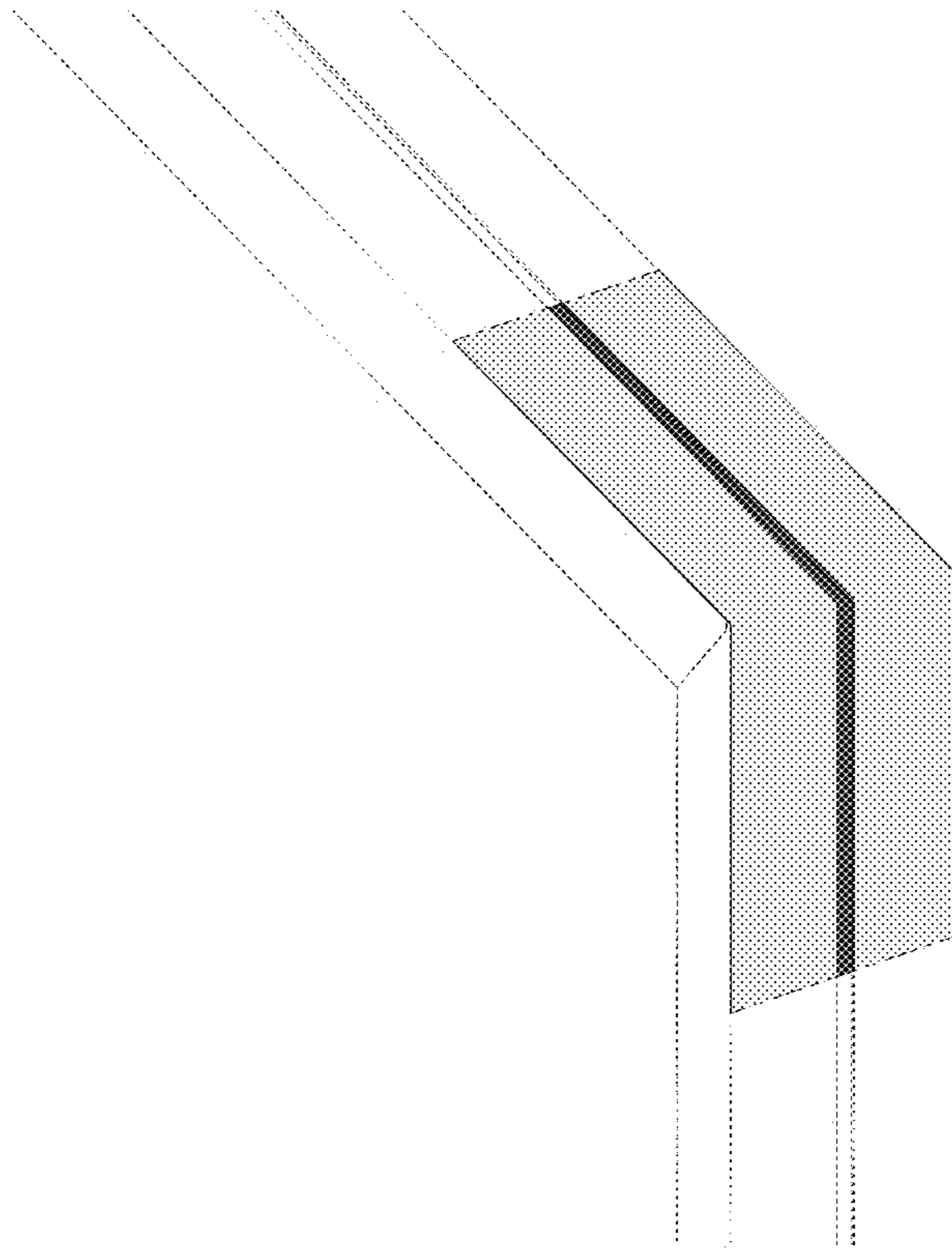


FIG.45

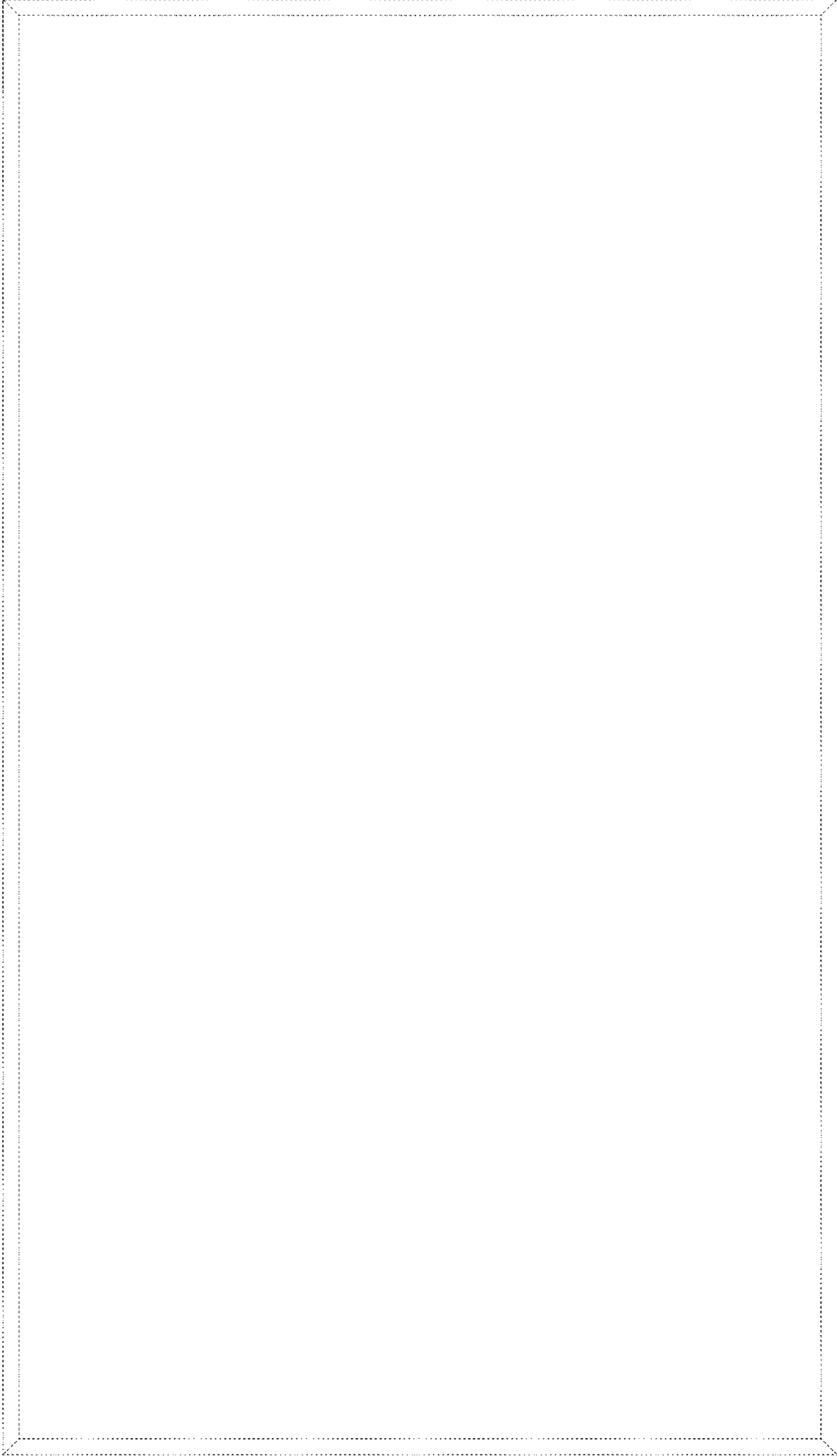




FIG. 46

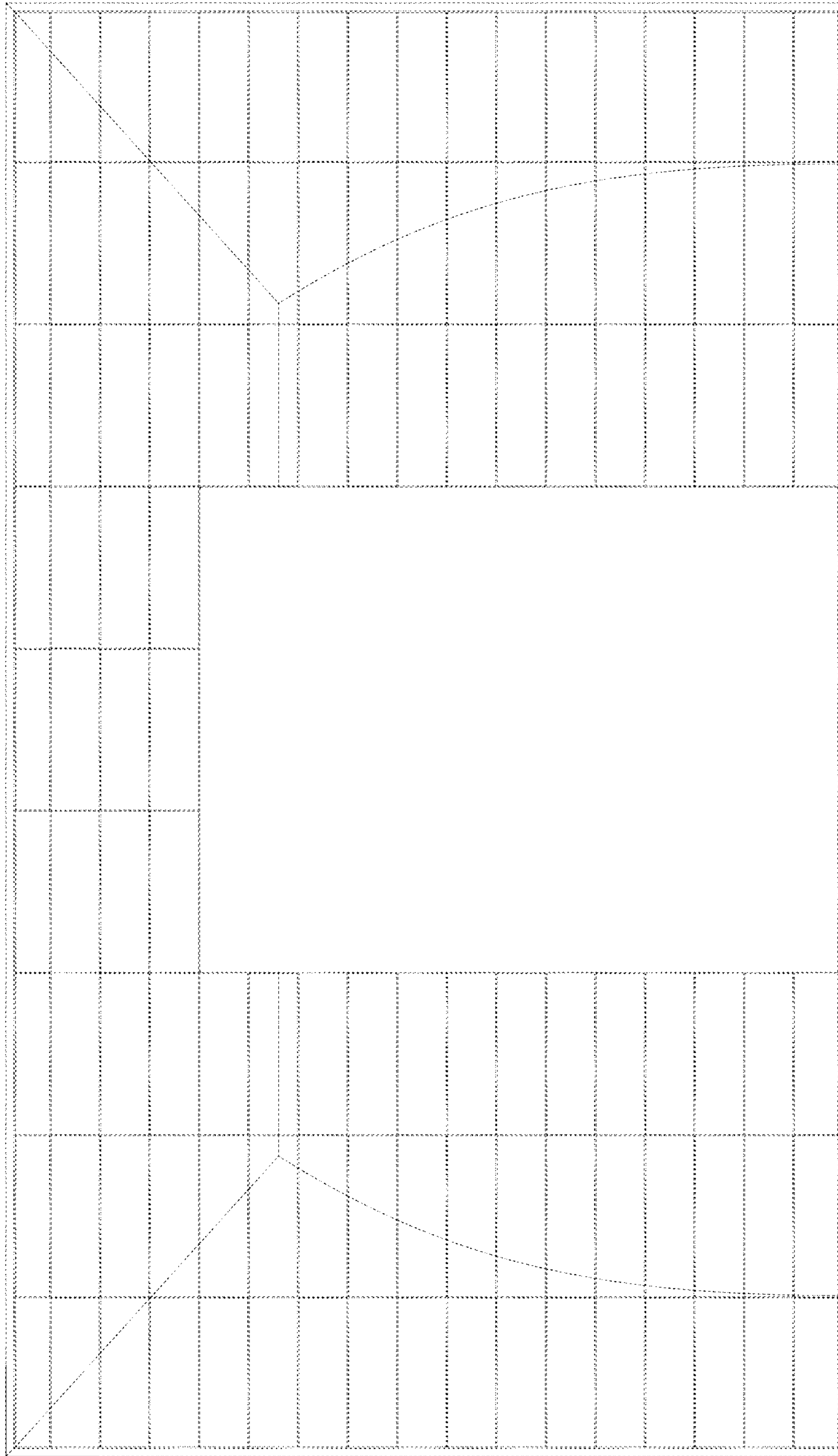


FIG.47

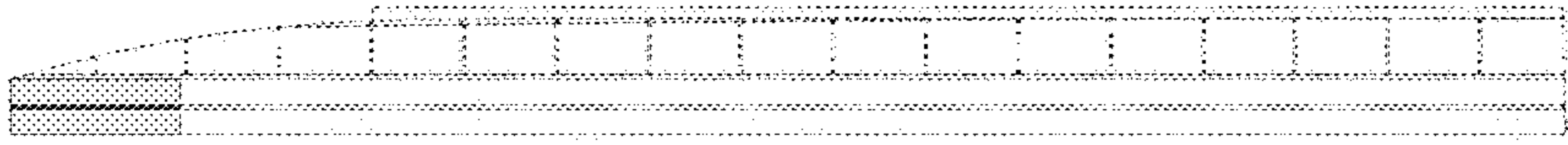


FIG.48

