



US00D809468S

(12) **United States Design Patent** (10) **Patent No.:** **US D809,468 S**
Oneufer et al. (45) **Date of Patent:** **** *Feb. 6, 2018**

(54) **SWITCH HANDLE FOR CIRCUIT BREAKERS**

(71) Applicant: **Eaton Corporation**, Cleveland, OH (US)

(72) Inventors: **Stephen William Oneufer**, Fayetteville, NC (US); **Edgar Yee**, Chapel Hill, NC (US); **Robert Allan Morris**, Fayetteville, NC (US); **Daniel Boyd Kroushl**, Clayton, NC (US)

(73) Assignee: **Eaton Corporation**, Cleveland, OH (US)

(*) Notice: This patent is subject to a terminal disclaimer.

(**) Term: **15 Years**

(21) Appl. No.: **29/568,725**

(22) Filed: **Jun. 21, 2016**

Related U.S. Application Data

(60) Division of application No. 29/506,538, filed on Oct. 16, 2014, now Pat. No. Des. 762,593, which is a (Continued)

(51) **LOC (11) Cl.** **13-03**

(52) **U.S. Cl.**
USPC **D13/174**

(58) **Field of Classification Search**
USPC D13/160, 174
(Continued)

(56) **References Cited**

U.S. PATENT DOCUMENTS

3,155,786 A 11/1964 Stegmaier
4,024,441 A 5/1977 Coyle et al.
(Continued)

FOREIGN PATENT DOCUMENTS

EP 2393092 12/2011
WO WO 2011/012806 2/2011

OTHER PUBLICATIONS

Chilean Office Action for related Chilean application No. 2014-002395, dated Aug. 31, 2015, 6 pages.
(Continued)

Primary Examiner — Selina Sikder

(74) *Attorney, Agent, or Firm* — Myers Bigel, P.A.

(57) **CLAIM**

The ornamental design for a switch handle for circuit breakers, as shown and described.

DESCRIPTION

FIG. 1 is a front, side perspective view of a the switch handle for circuit breakers showing our design;
FIG. 2 is rear, side perspective view thereof;
FIG. 3 is a top view thereof (the bottom view is disclaimed);
FIG. 4 is a side view thereof;
FIG. 5 is a side view opposite that shown in FIG. 4;
FIG. 6 is a rear view taken at 90 degrees from the view shown in FIG. 5;
FIG. 7 is a front view opposite that shown in FIG. 6;
FIG. 8 is a front, side perspective view of the switch handle for circuit breakers of FIG. 1 shown in an exemplary environmental view on a respective door of a unit of a circuit breaker;
FIG. 9 is a front, side perspective view of the switch handle for circuit breakers of FIG. 1 shown in another exemplary environmental view on a door of a unit of a circuit breaker;
FIG. 10 is a front, side perspective view of the switch handle for circuit breakers shown in FIGS. 1-9, illustrated in an extended lever configuration;
FIG. 11 is a rear, side perspective view thereof;
FIG. 12 is a top view thereof (the bottom view is disclaimed);
FIG. 13 is a side view thereof;
FIG. 14 is a side view opposite that shown in FIG. 13;
(Continued)

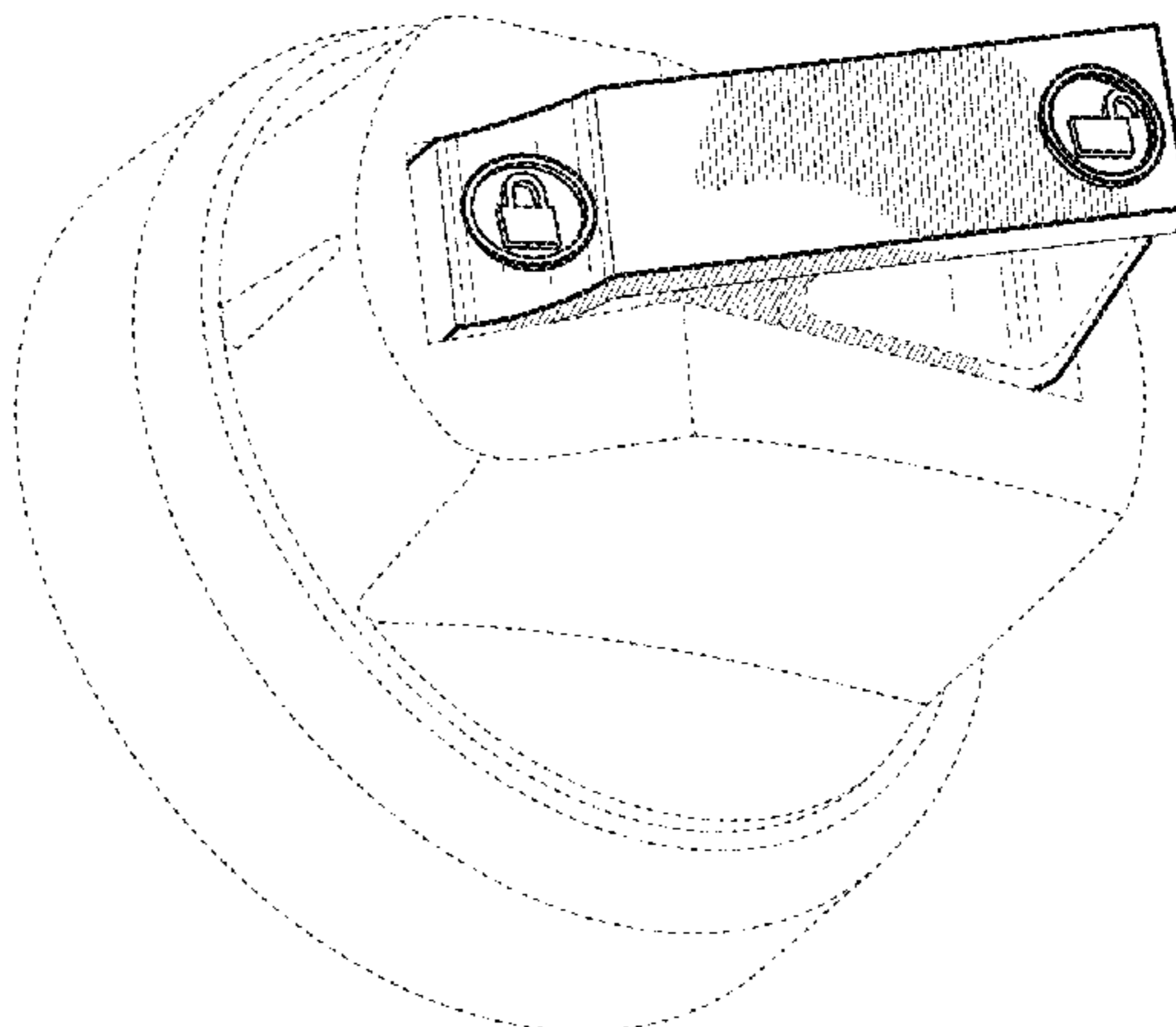
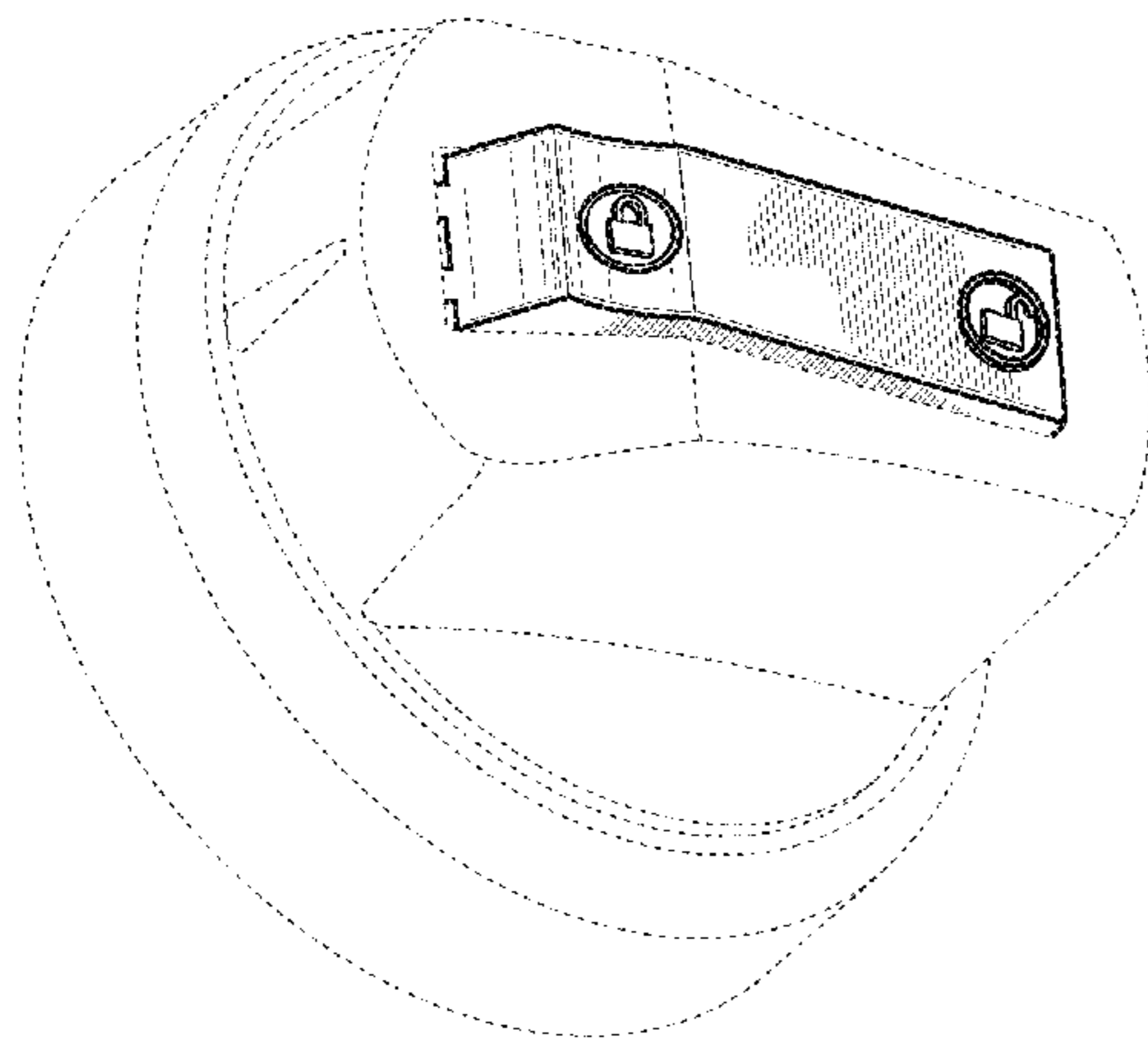


FIG. 15 is a rear view taken at 90 degrees from the view shown in FIG. 14;

FIG. 16 is a front view opposite that shown in FIG. 15;

FIG. 17 is a front, side perspective view of the switch handle for circuit breakers of FIG. 10, with the extended lever shown in an exemplary environmental view on a respective door of a unit of a circuit breaker in an exemplary extended lever orientation; and,

FIG. 18 is a front, side perspective view of the switch handle for circuit breakers of FIG. 10, with the extended lever shown in another exemplary environmental view on a door of a unit of a circuit breaker.

The broken lines shown herein are for illustrative purposes only and form no part of the claimed design.

1 Claim, 11 Drawing Sheets

Related U.S. Application Data

continuation-in-part of application No. 29/485,857, filed on Mar. 24, 2014, now Pat. No. Des. 751,516.

(58) **Field of Classification Search**

CPC .. G05G 1/04; G05G 1/08; H01H 3/08; H01H 9/02; H01H 9/182; H01H 9/22; H01H 9/282; H01H 71/04; H01H 71/46; H01H 71/56; H01H 71/501

See application file for complete search history.

(56) **References Cited**

U.S. PATENT DOCUMENTS

4,503,408	A	3/1985	Mrenna et al.
4,612,424	A	9/1986	Clark et al.
D297,726	S	9/1988	Araki
4,851,621	A	7/1989	Borchardt et al.
D349,101	S	7/1994	Schaeffer
5,493,083	A	2/1996	Olivier
5,634,553	A	6/1997	Hopper et al.
5,687,834	A	11/1997	Simon et al.
D404,014	S	1/1999	Barnard et al.
5,910,760	A	6/1999	Malingowski et al.
6,194,983	B1	2/2001	Bogdon et al.
D438,846	S	3/2001	Bonn
6,423,912	B1	7/2002	Arenz et al.
6,518,526	B2	2/2003	Hamada et al.
6,596,952	B1	7/2003	Degrazia et al.
6,767,104	B2	7/2004	Worrell
6,797,903	B1	9/2004	Winslett et al.
6,903,289	B2	6/2005	Tongo
6,969,813	B1	11/2005	Winslett et al.
7,002,088	B2	2/2006	Shin
7,186,933	B2	3/2007	Turner
7,214,895	B2	5/2007	Houck et al.
7,238,903	B2	7/2007	Fischer
D559,206	S	1/2008	Neveu
7,399,934	B2	7/2008	Emura et al.
7,420,133	B2	9/2008	Farrow et al.
D580,880	S	11/2008	Lifran

D590,780	S *	4/2009	Deboer	D13/168
D605,140	S *	12/2009	Buron	D13/168
D606,026	S	12/2009	Azzola et al.	
D635,104	S	3/2011	Louise et al.	
D641,711	S	7/2011	Azzola et al.	
D668,663	S *	10/2012	Hazan	D14/455
8,642,903	B2	2/2014	Sadowski et al.	
D750,577	S *	3/2016	Oneufer	D13/174
D751,516	S *	3/2016	Oneufer	D13/174
9,337,629	B2 *	5/2016	Oneufer	
D762,593	S *	8/2016	Oneufer	D13/174
D765,045	S *	8/2016	Oneufer	D13/174
9,451,718	B2 *	9/2016	Oneufer	H02B 1/36
9,484,163	B2 *	11/2016	Oneufer	H01H 9/223
9,595,408	B2 *	3/2017	Fischer	H01H 9/26
D791,088	S *	7/2017	Oneufer	D13/174
2005/0144993	A1 *	7/2005	Antonucci	E05B 9/086 70/208
2007/0272526	A1	11/2007	Ishido et al.	
2008/0215841	A1 *	9/2008	Bolotin	G06F 1/1632 711/164
2009/0167468	A1	7/2009	Dauer et al.	
2009/0173112	A1 *	7/2009	Tropp	A45C 13/18 70/69
2010/0032278	A1	2/2010	Lin	
2010/0294632	A1	11/2010	Reddering et al.	
2013/0056340	A1	3/2013	Serpinet et al.	
2013/0077210	A1	3/2013	Morris	
2014/0238829	A1	8/2014	Takatsu et al.	
2014/0329585	A1	11/2014	Reinhart et al.	
2015/0008108	A1	1/2015	Wu et al.	
2015/0053537	A1	2/2015	Manahan	
2015/0053705	A1 *	2/2015	Wilson	A47J 45/075 220/755
2015/0103472	A1	4/2015	Oneufer et al.	
2015/0221459	A1	8/2015	Oneufer	
2016/0052475	A1 *	2/2016	Foster	G07C 9/00944 340/457

OTHER PUBLICATIONS

Chilean Office Action for related Chilean application No. 2014-002396, dated Aug. 31, 2015, 6 pages.

Chilean Office Action for related Chilean application No. 2014-003378, dated Oct. 22, 2015, 6 pages.

Chilean Office Action for related Chilean application No. 2014-003379, dated Oct. 22, 2015, 6 pages.

OHIM, Design Certificate of Registration, Registration No. 001420525-0001, Registered Sep. 10, 2014, 9 pages.

OHIM, Design Certificate of Registration, Registration No. 001420525-0002, Registered Sep. 10, 2014, 9 pages.

OHIM, Design Certificate of Registration, Registration No. 001420525-0003, Registered Sep. 10, 2014, 9 pages.

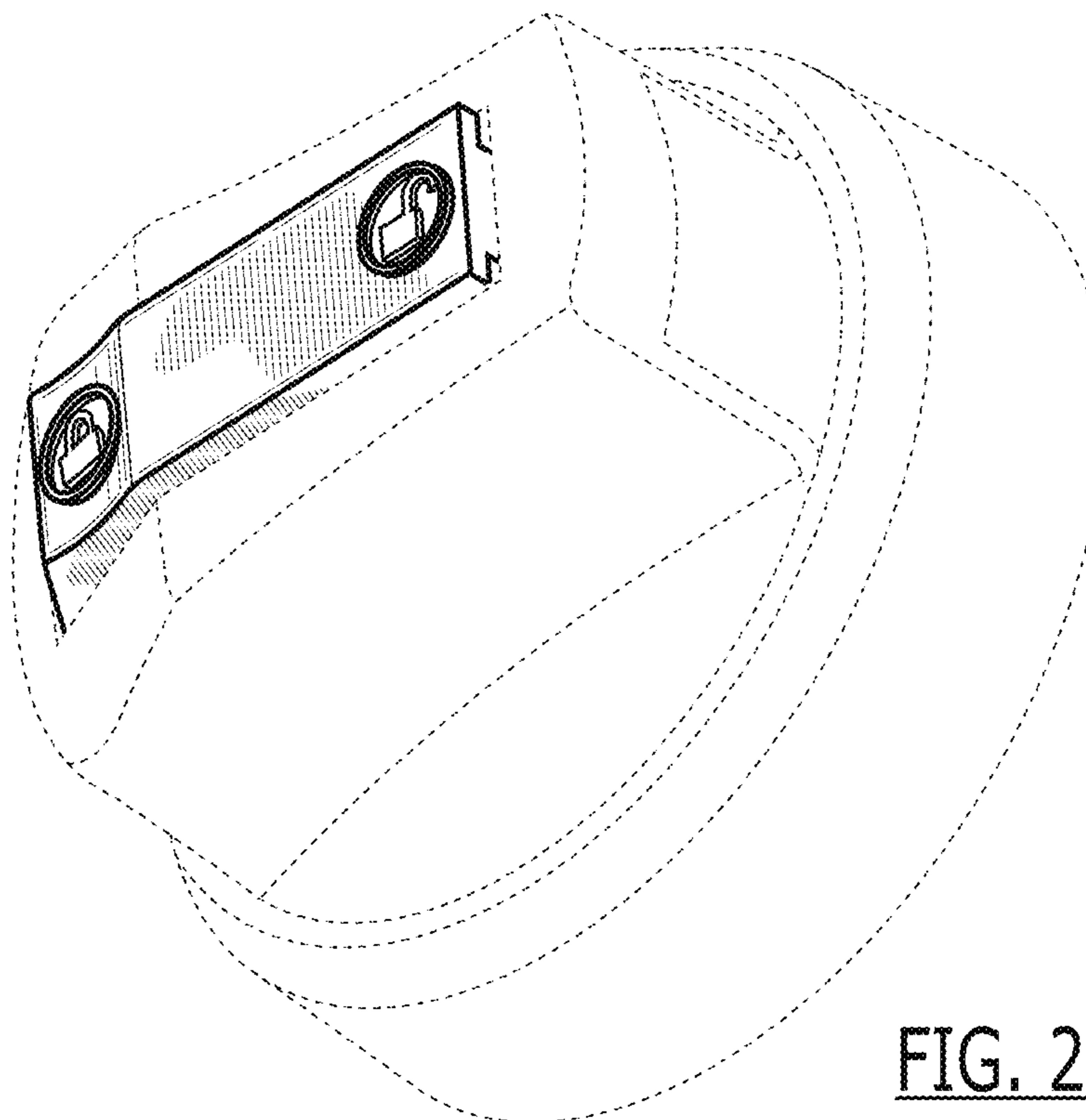
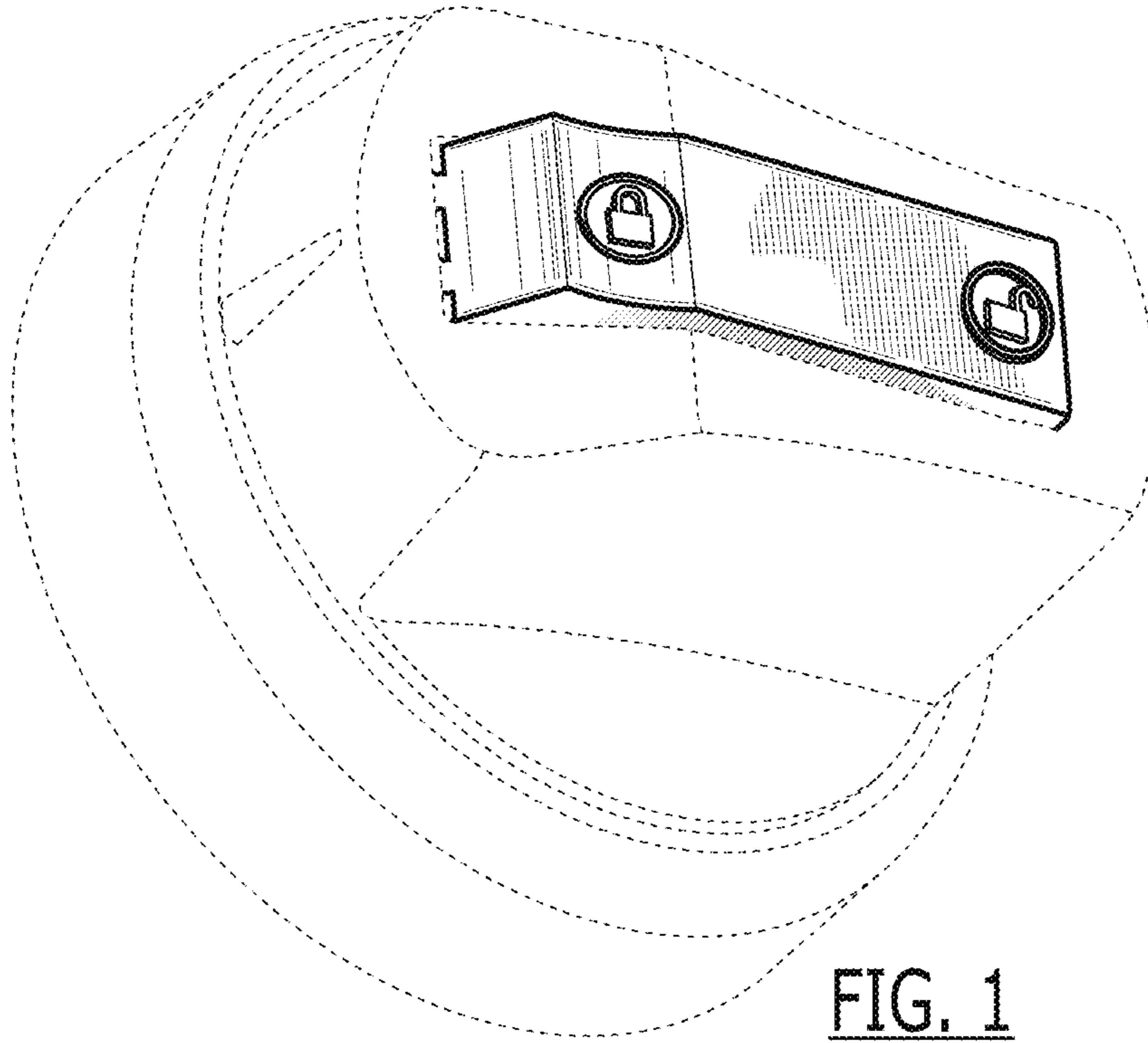
OHIM, Design Certificate of Registration, Registration No. 001420525-0004, Registered Sep. 10, 2014, 9 pages.

OHIM, Design Certificate of Registration, Registration No. 001420525-0005, Registered Sep. 10, 2014, 9 pages.

OHIM, Design Certificate of Registration, Registration No. 001420525-0006, Registered Sep. 10, 2014, 9 pages.

Product Brochure, Rotary handles, Molded-case circuit breakers, Eaton, Jun. 2013, 2 pages.

* cited by examiner



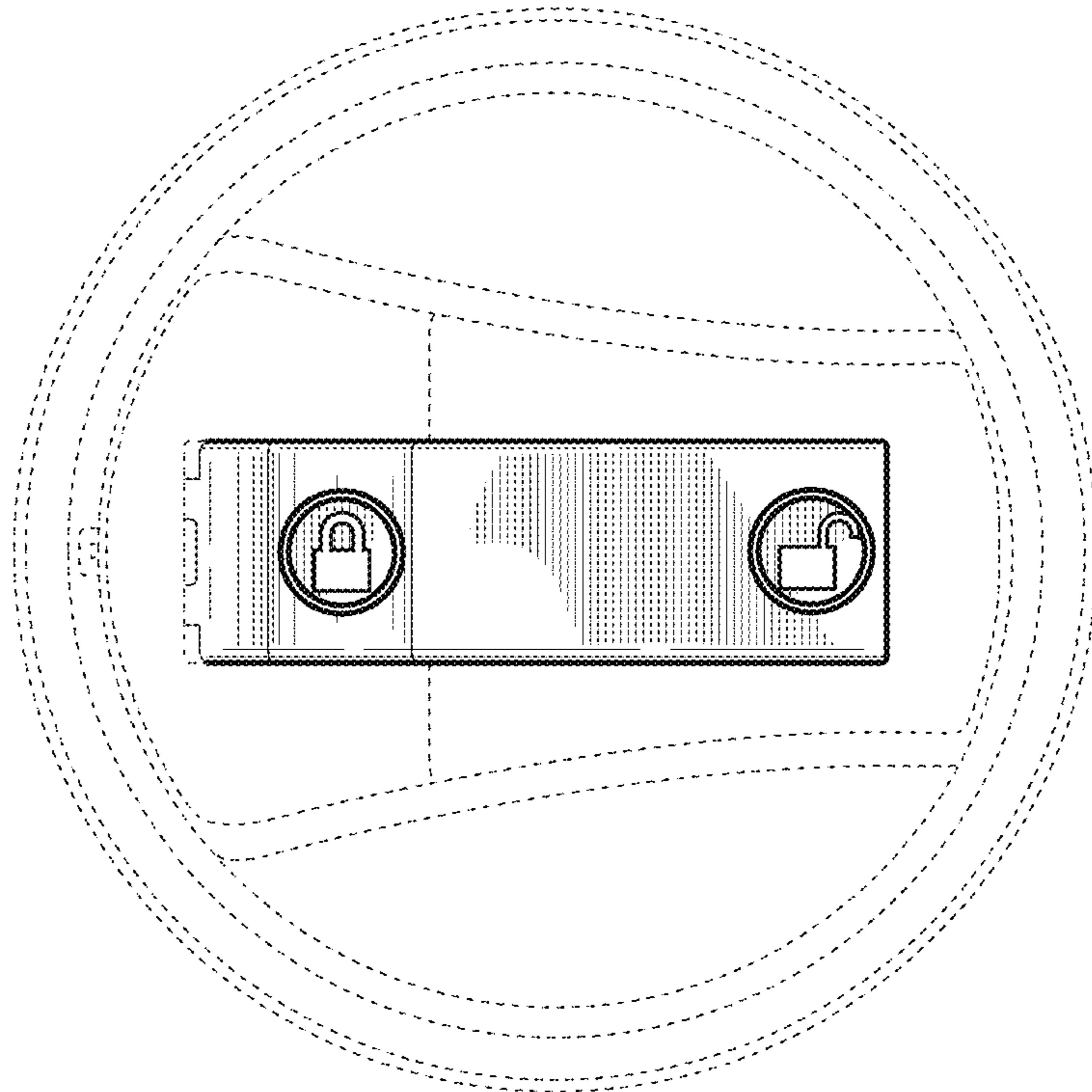


FIG. 3

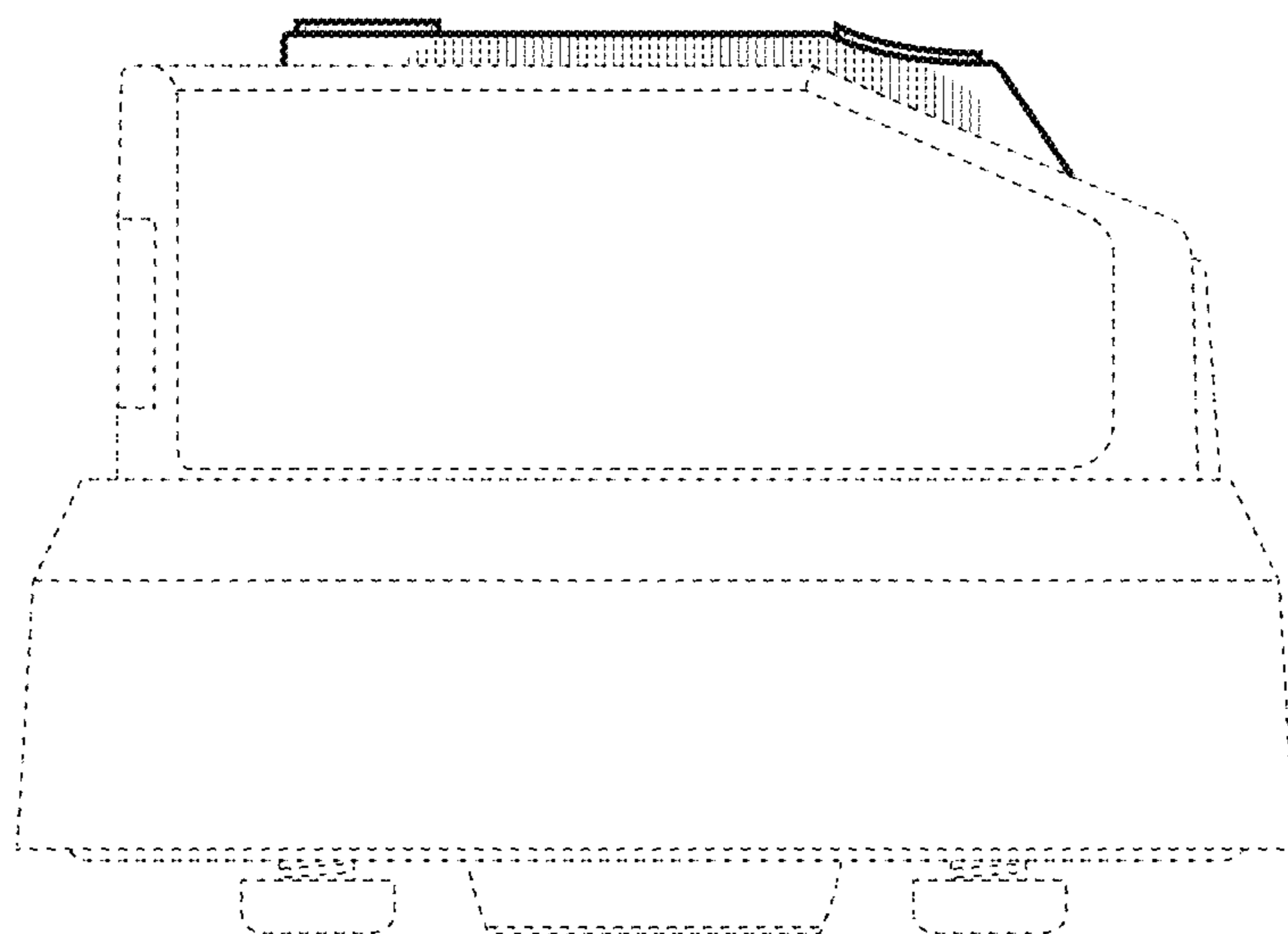


FIG. 4

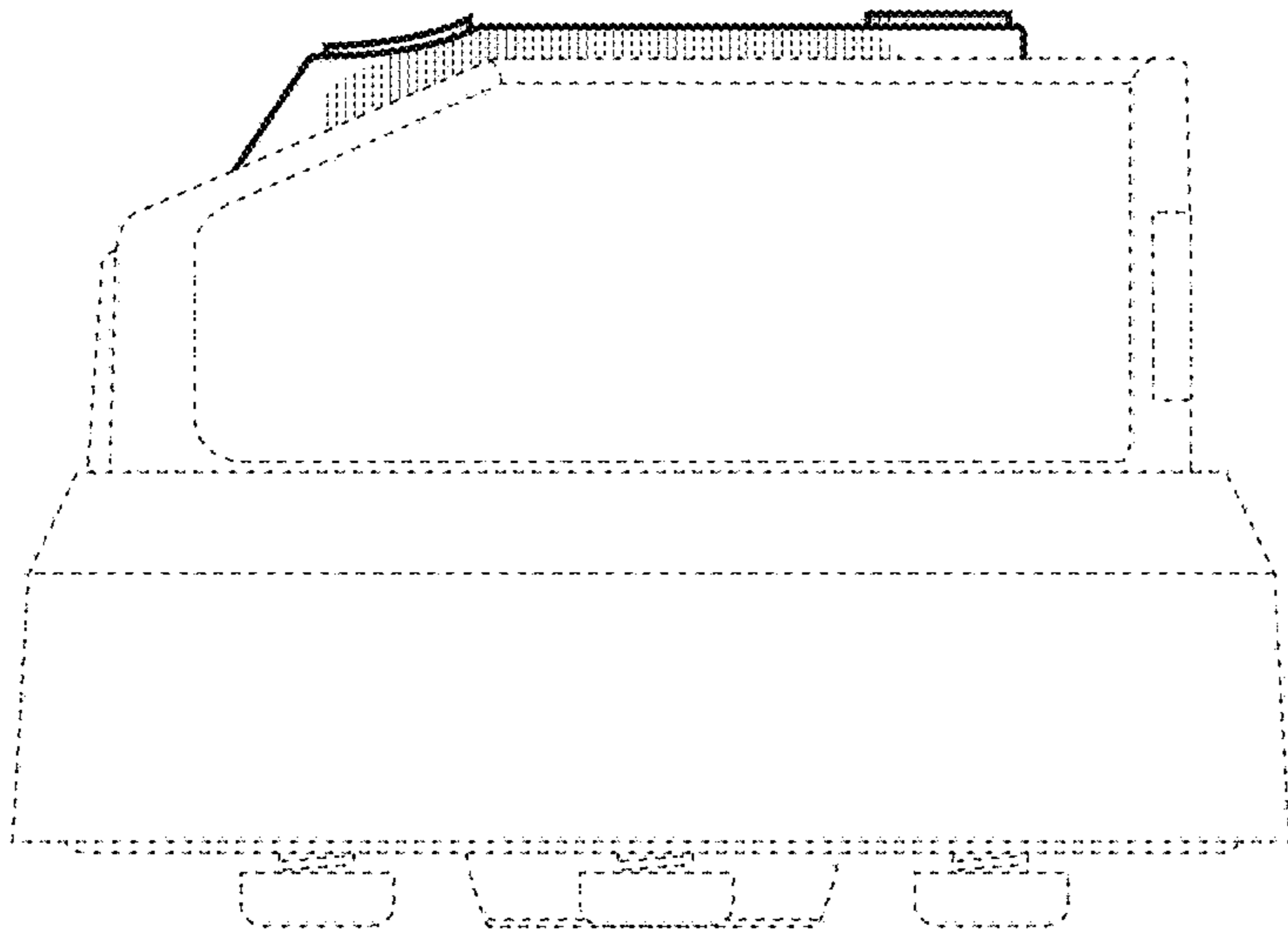


FIG. 5

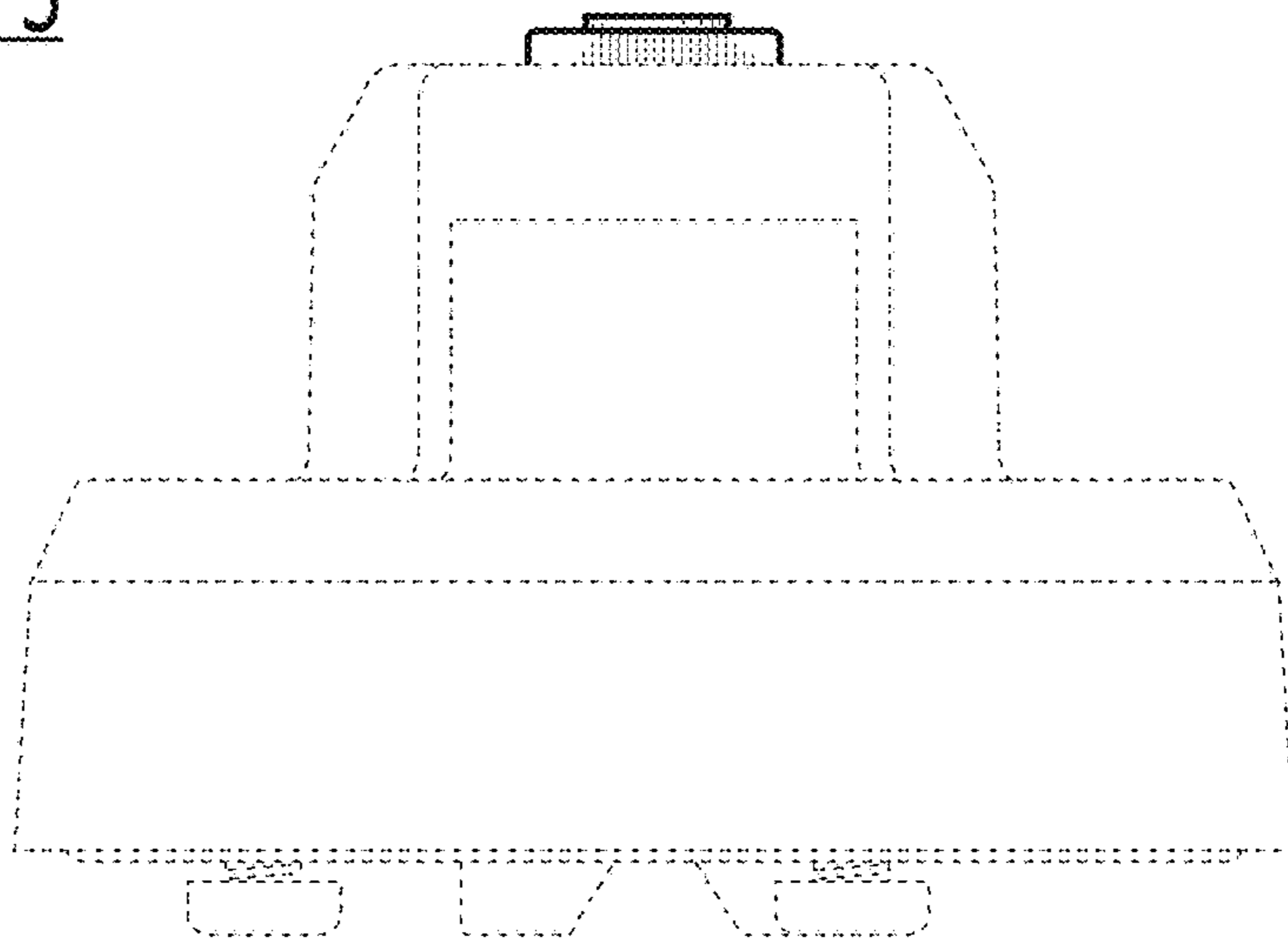


FIG. 6

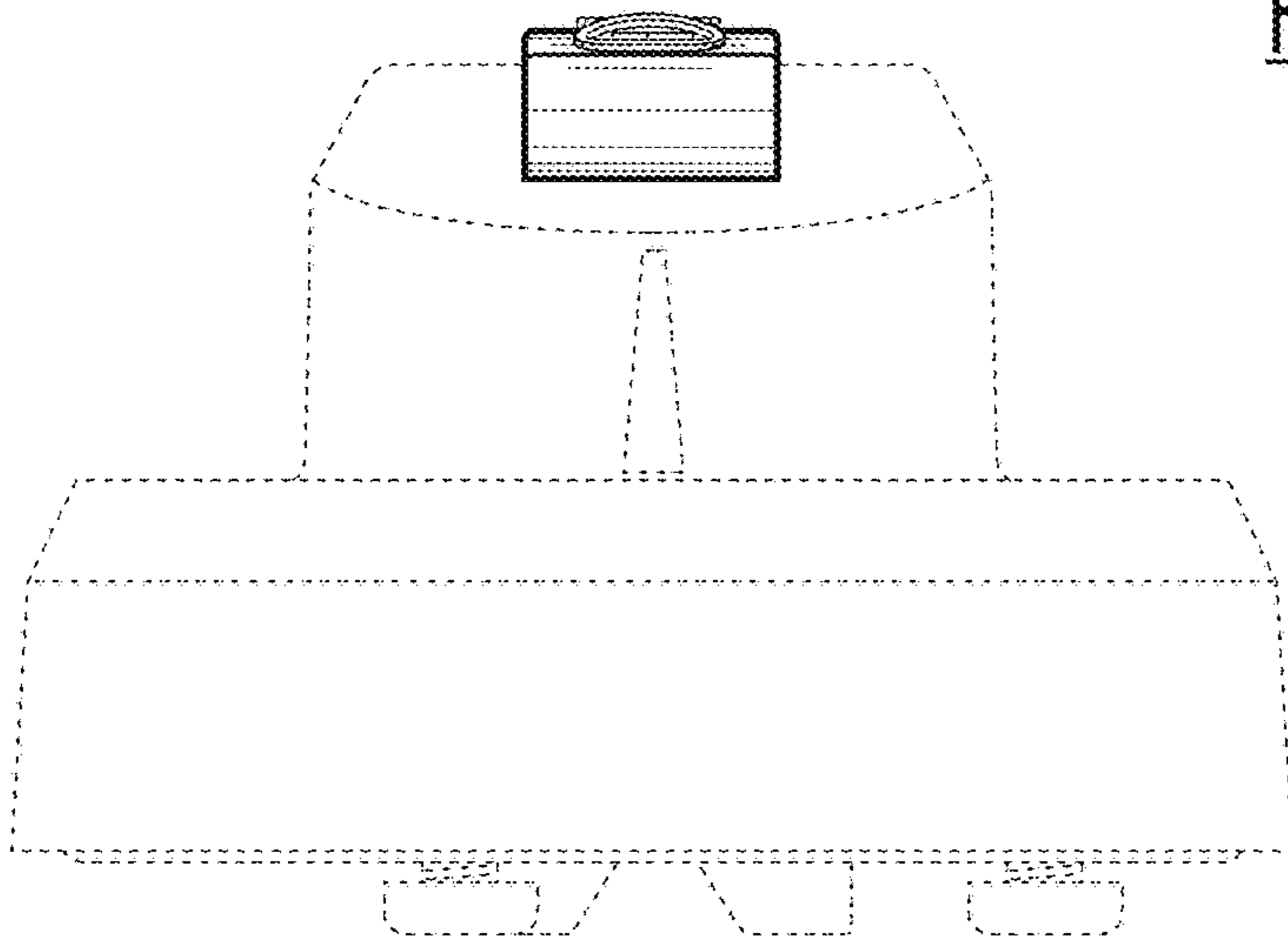


FIG. 7

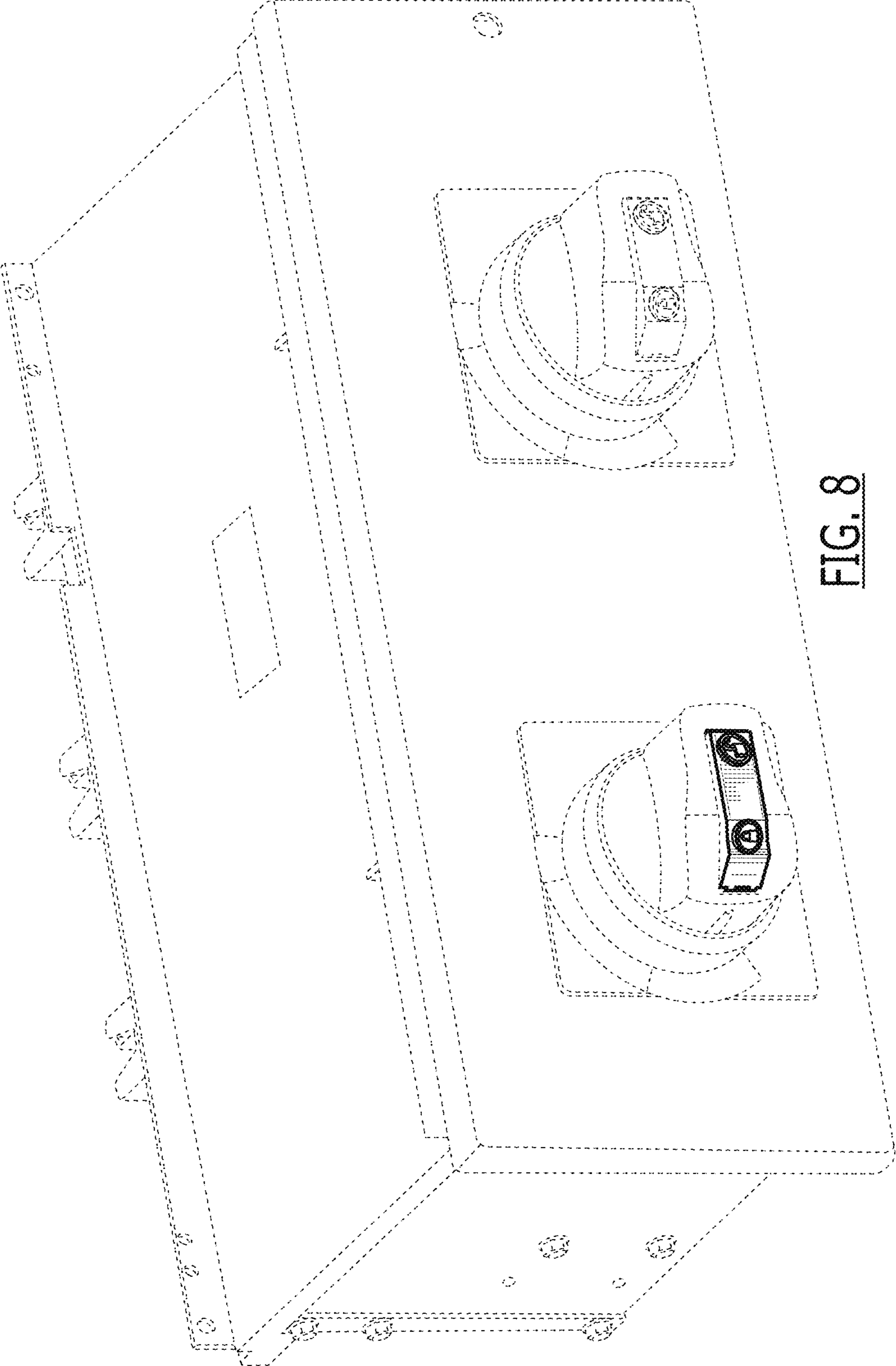


FIG. 8

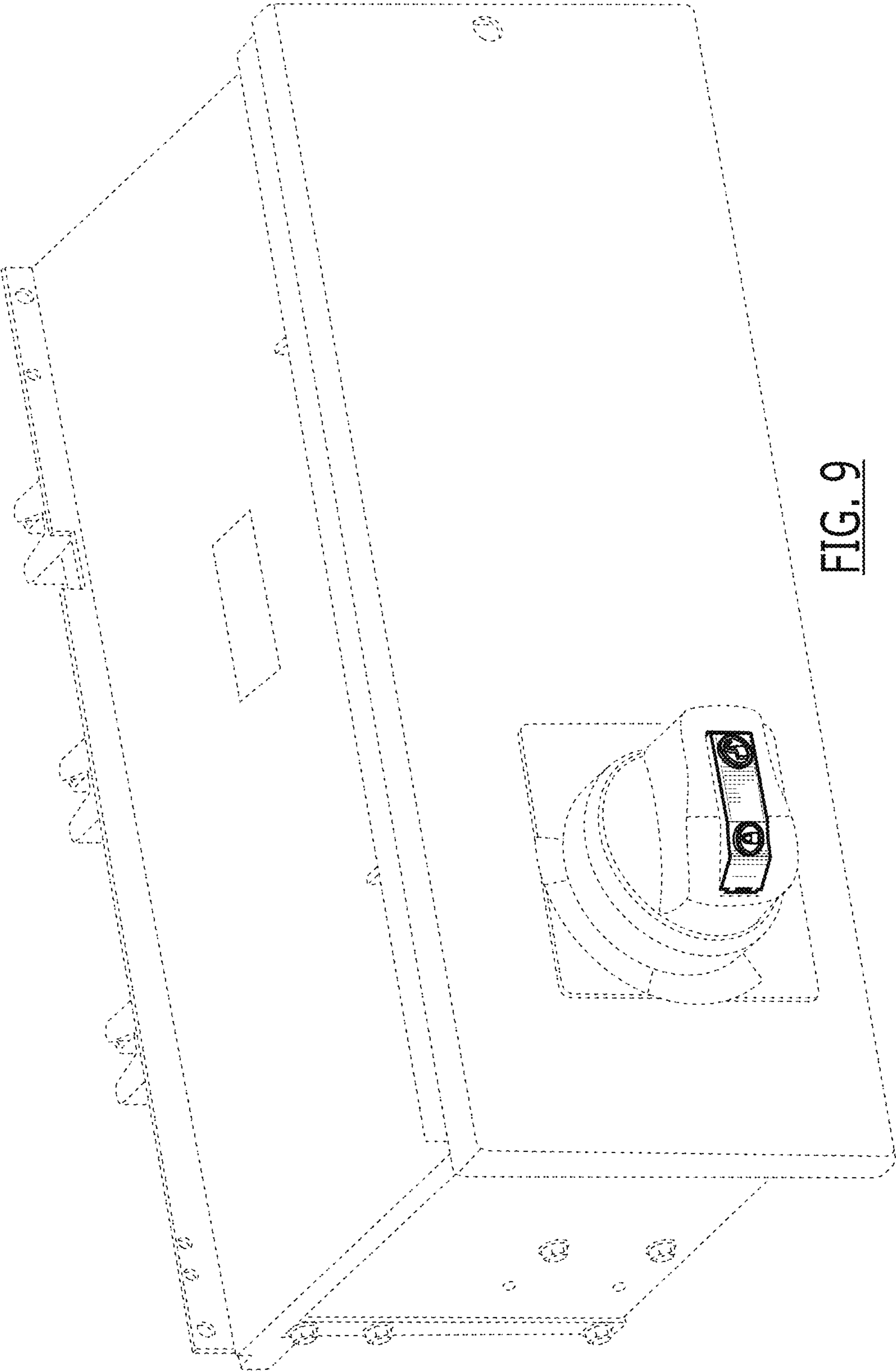
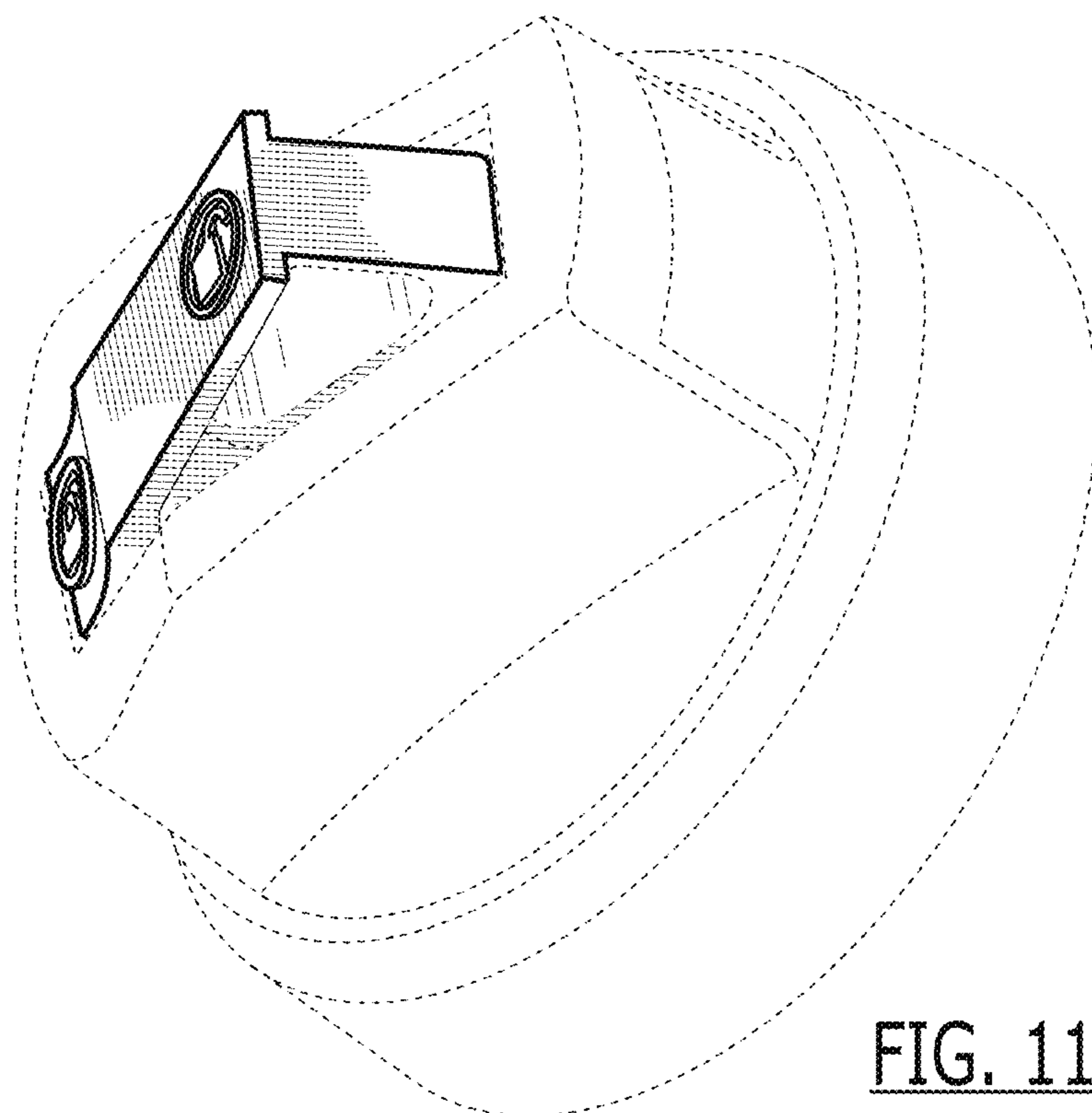
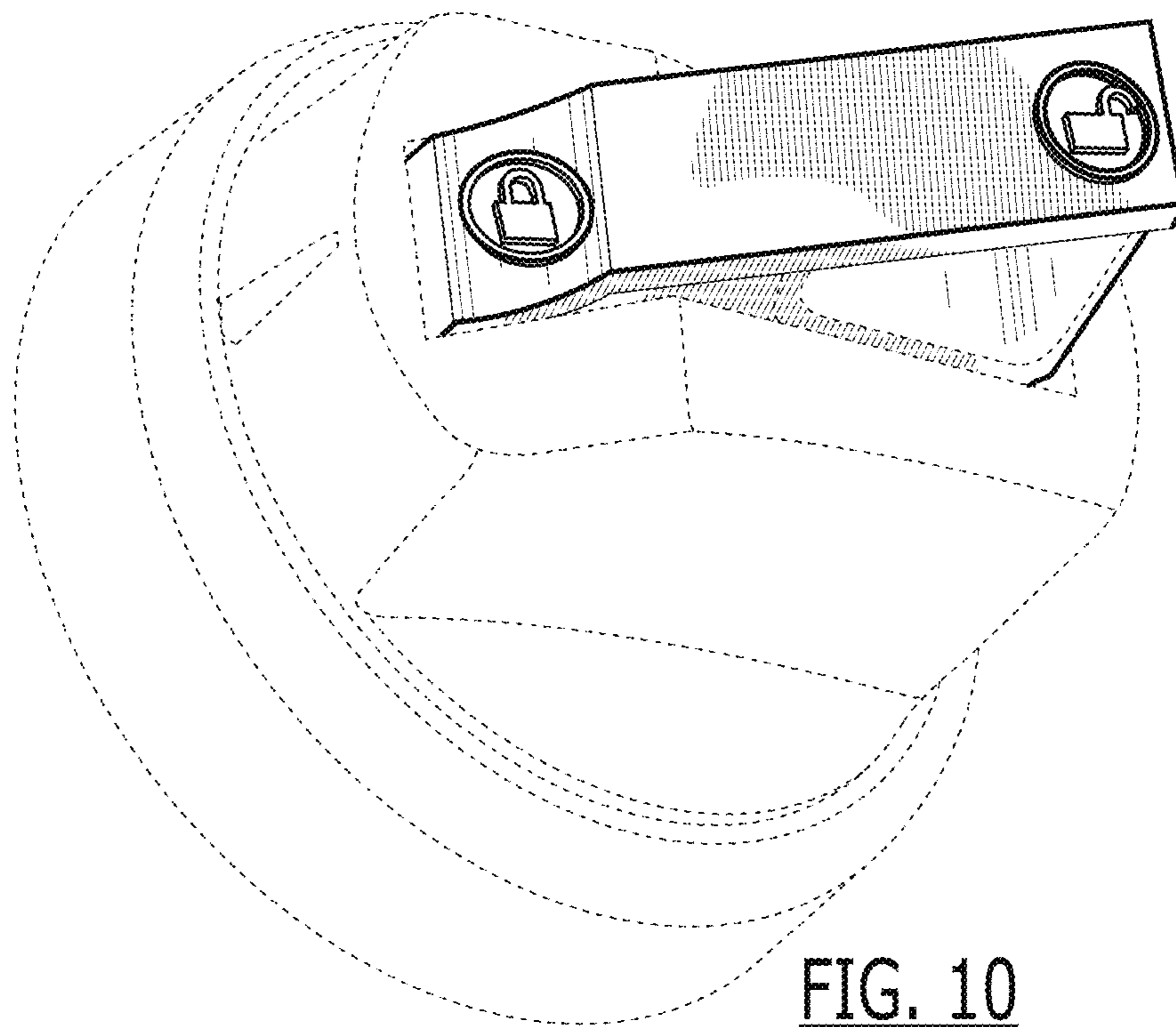


FIG. 9



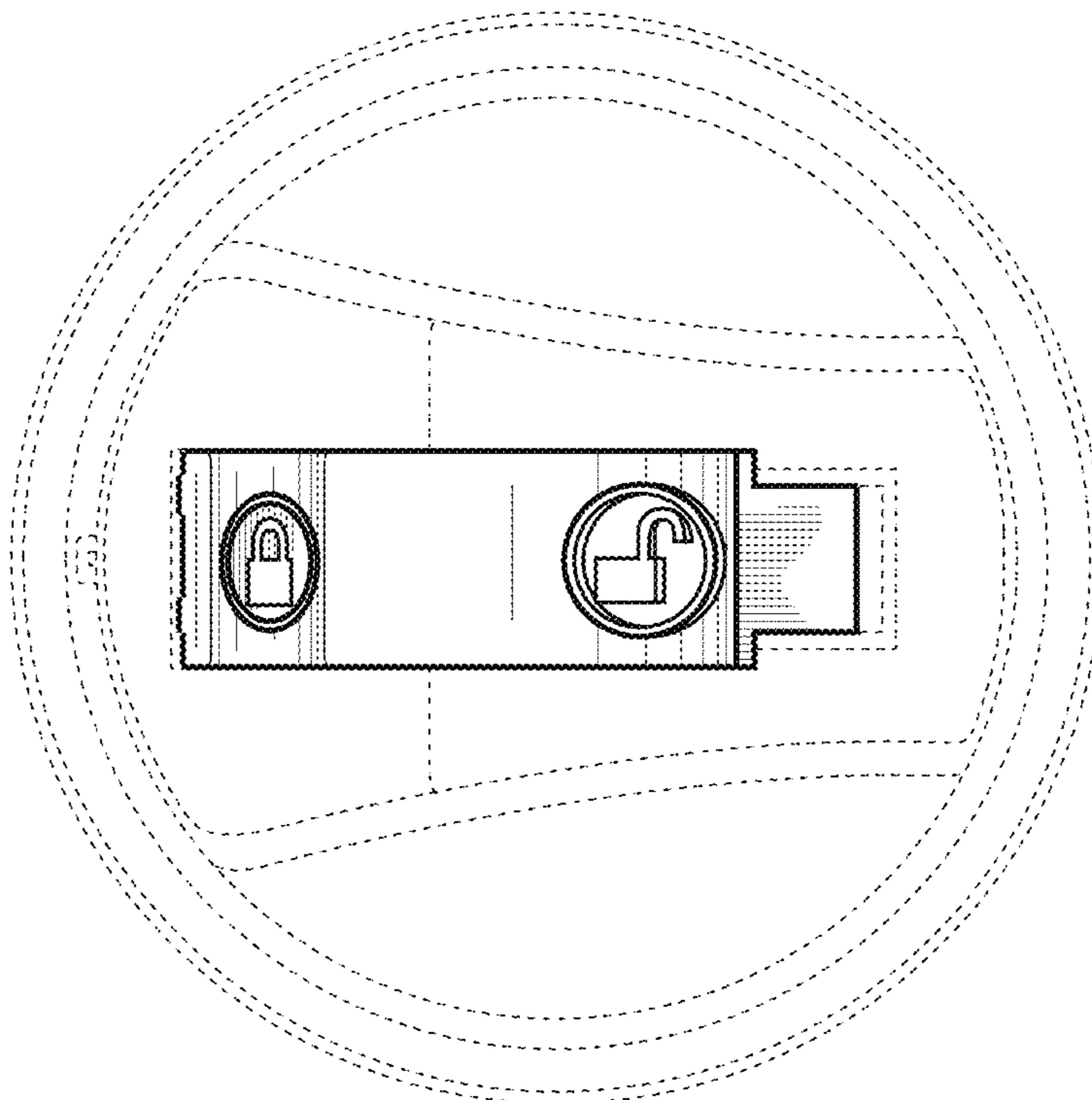


FIG. 12

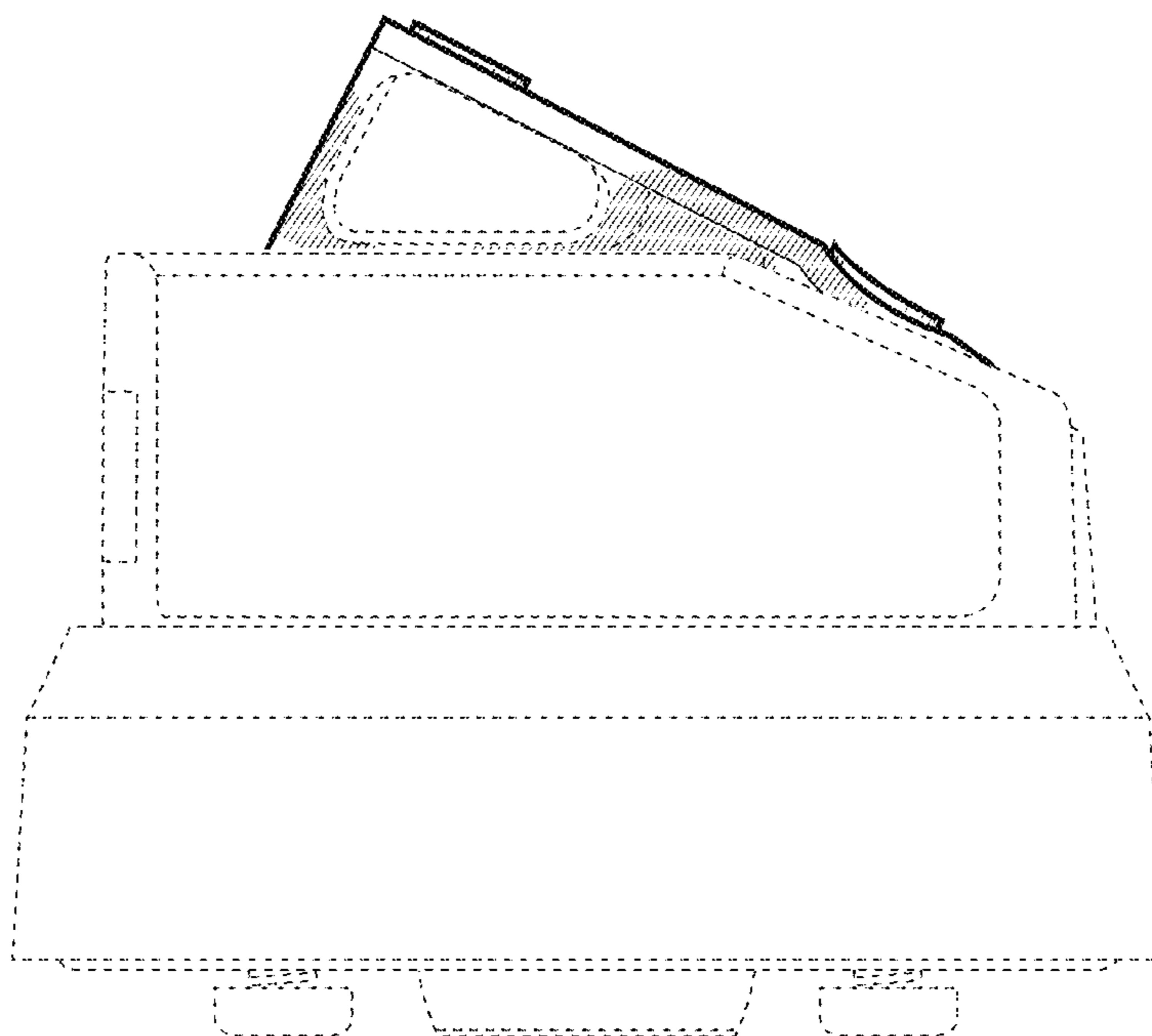


FIG. 13

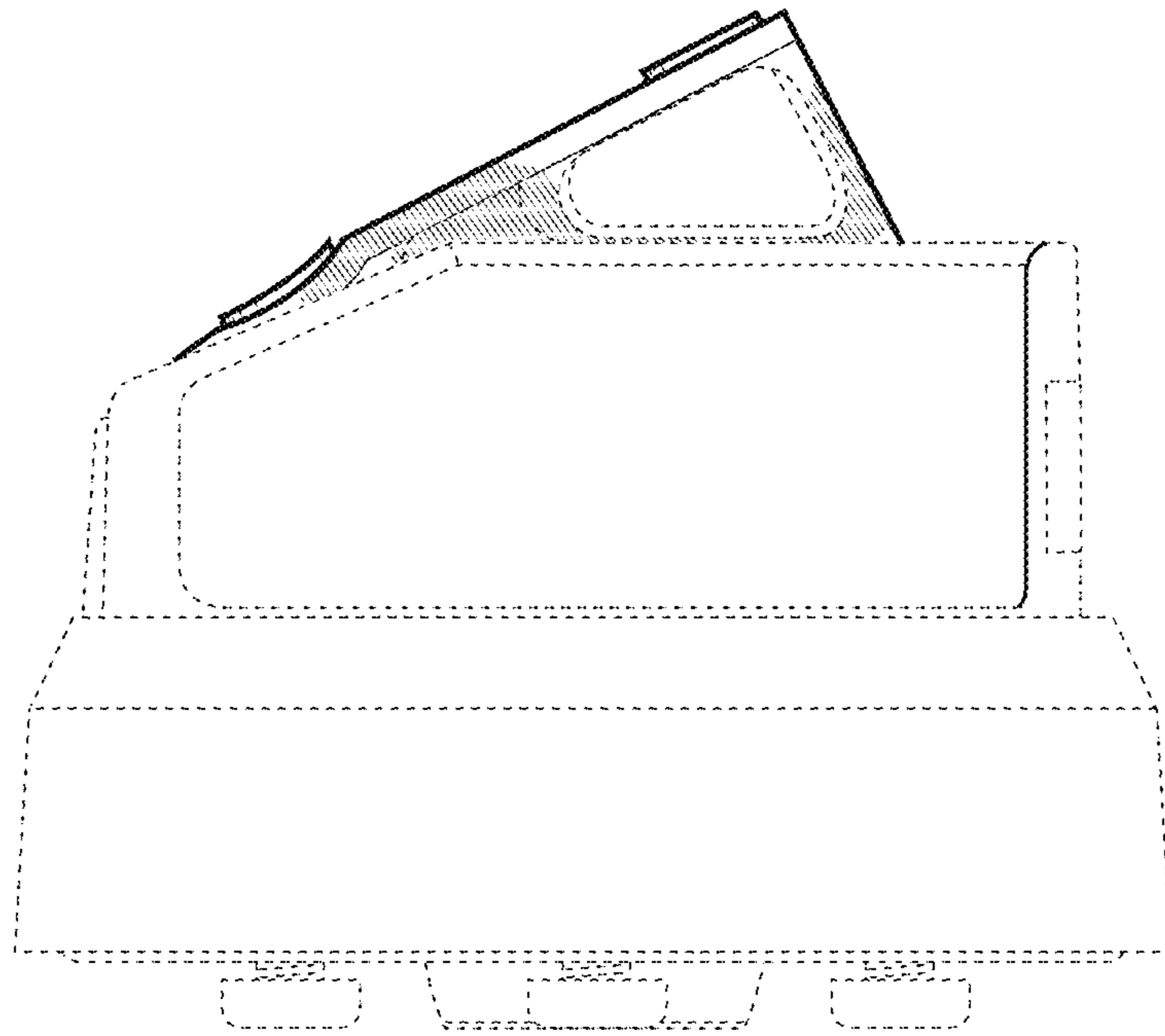


FIG. 14

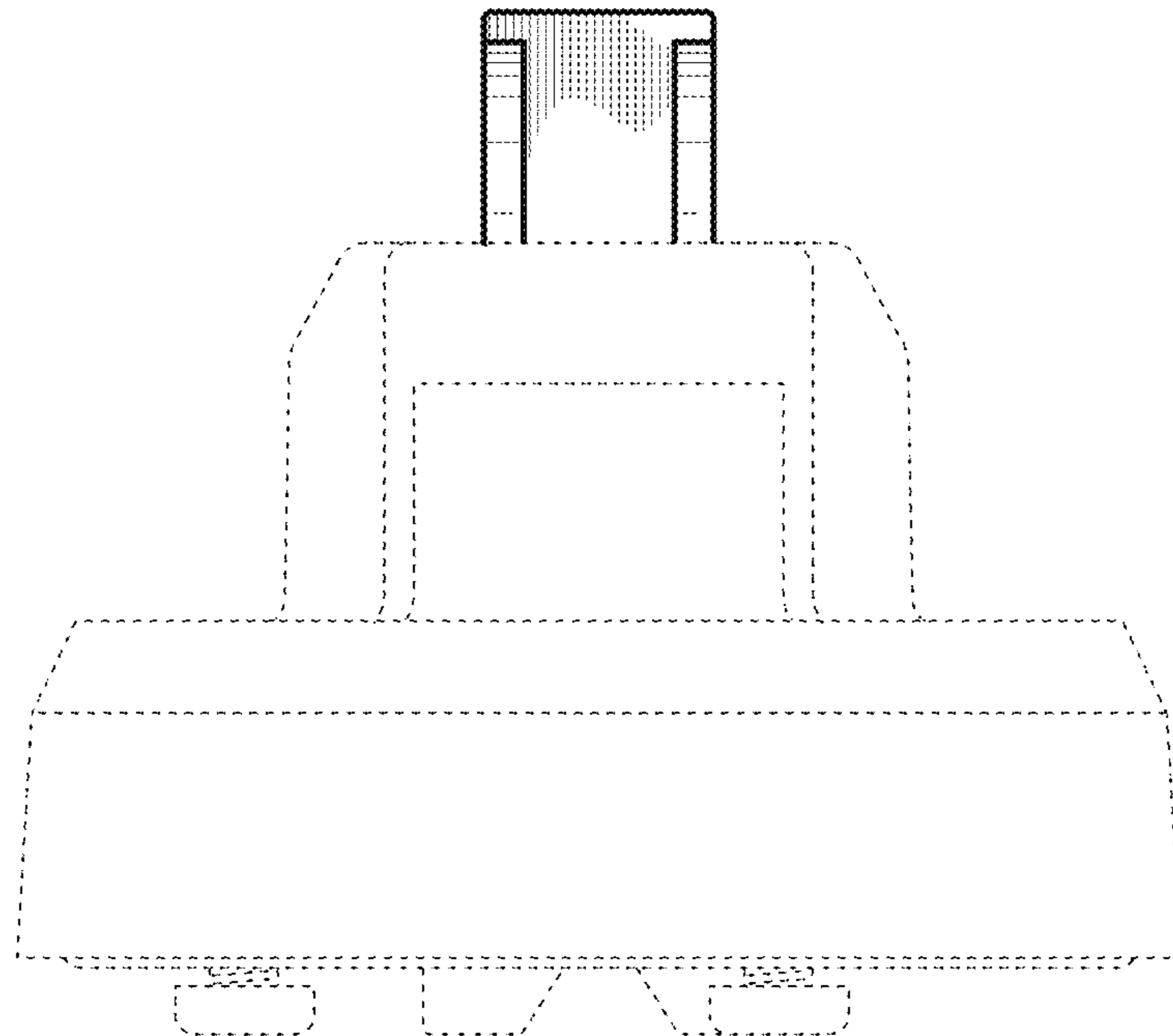


FIG. 15

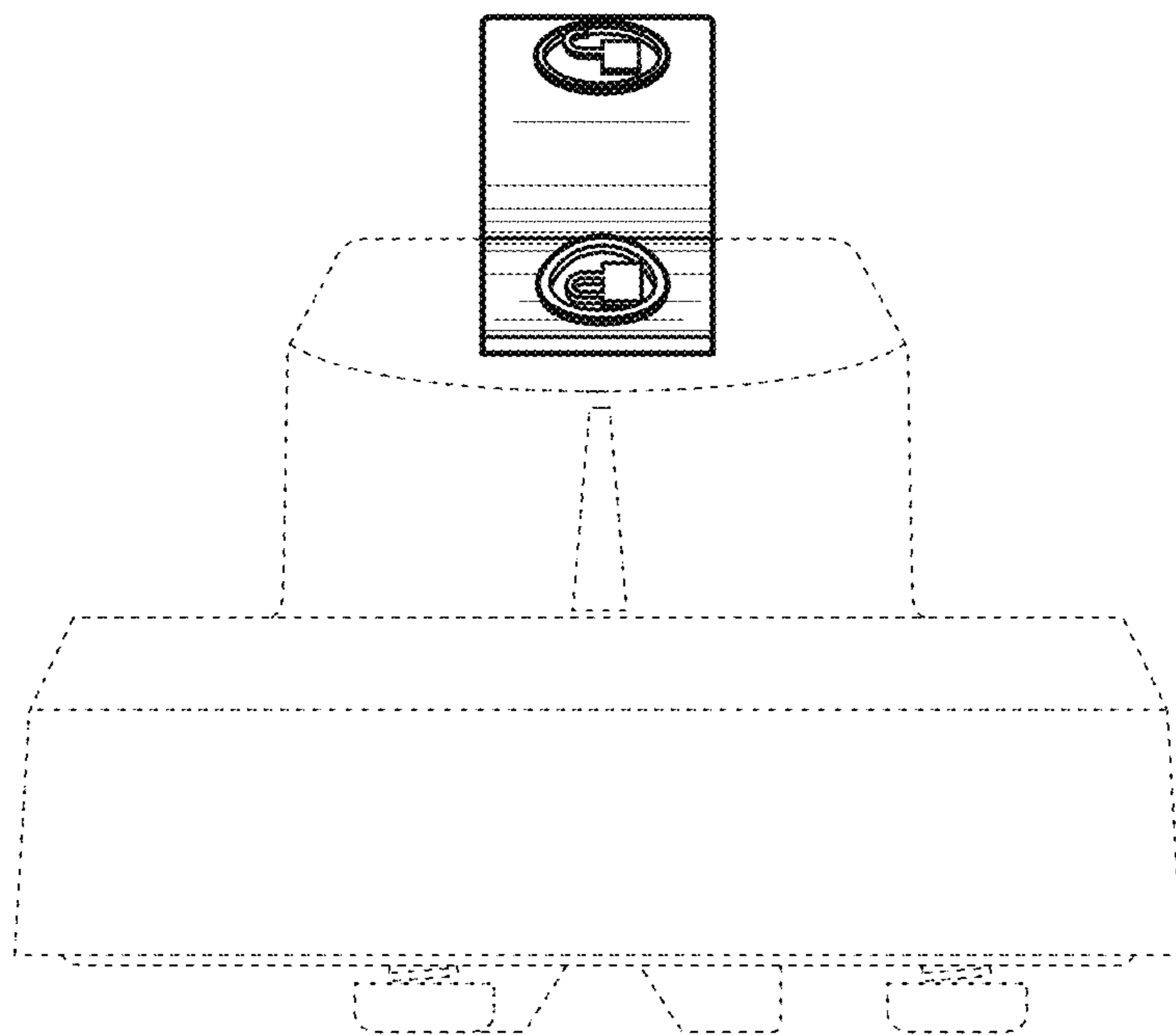


FIG. 16

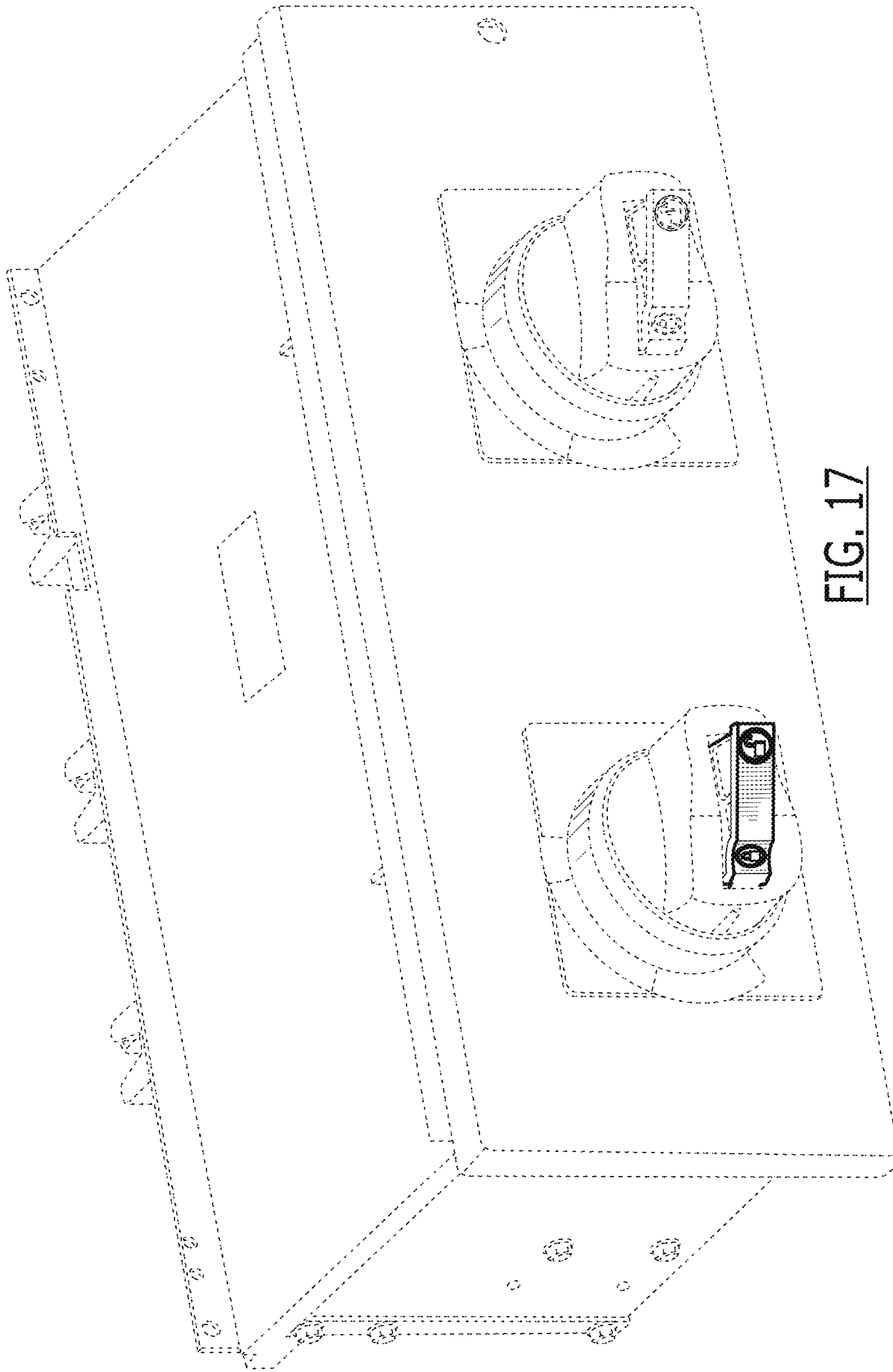


FIG. 17

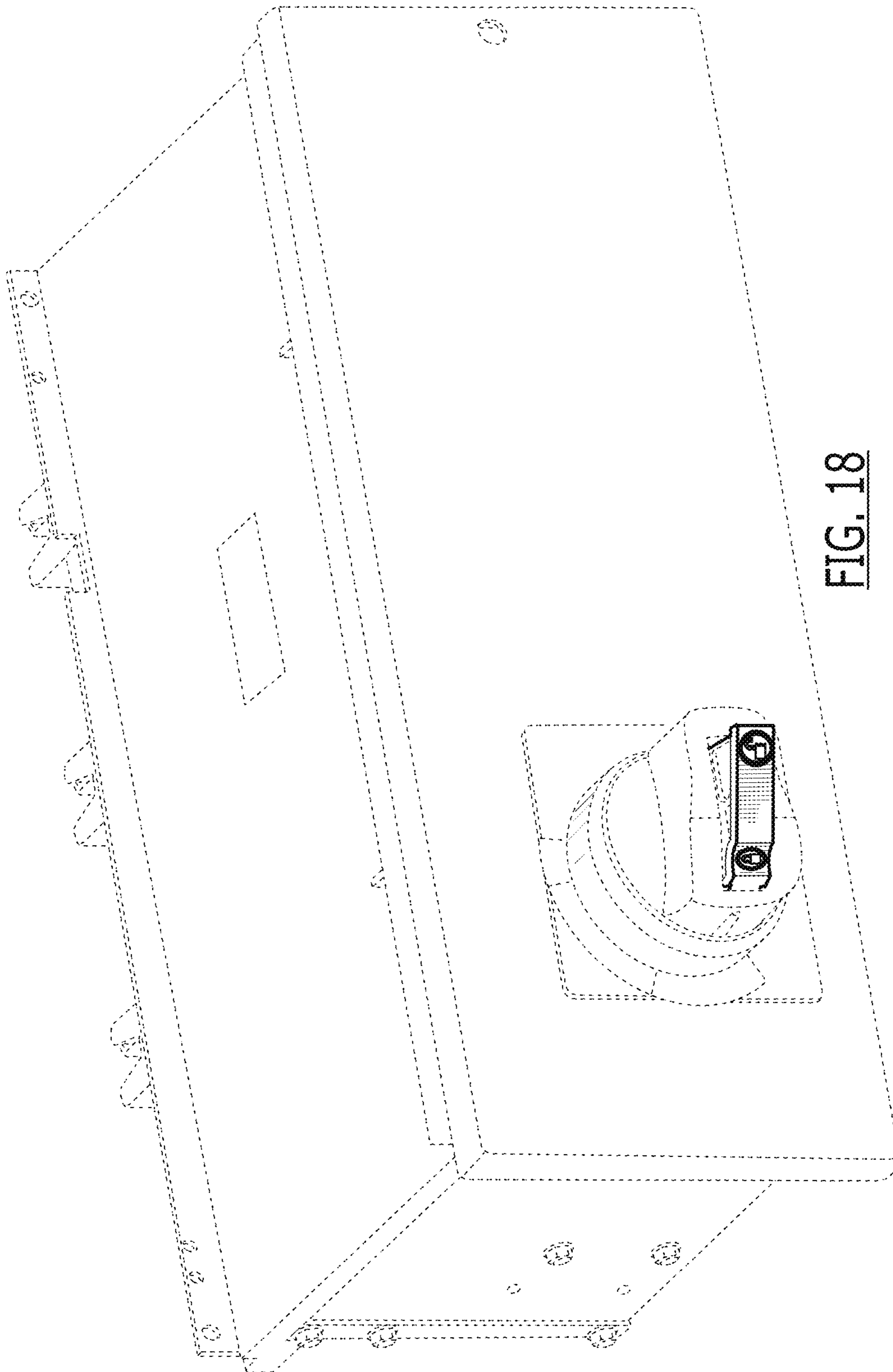


FIG. 18