



US00D809467S

(12) **United States Design Patent**  
**Amano**

(10) **Patent No.:** **US D809,467 S**

(45) **Date of Patent:** **\*\* \*Feb. 6, 2018**

(54) **SWITCH**

13/48; H01H 13/83; H01H 13/7006;  
H01H 13/705

See application file for complete search history.

(71) Applicants: **CITIZEN ELECTRONICS CO., LTD.**, Yamanashi-ken (JP); **CITIZEN WATCH CO., LTD.**, Tokyo (JP)

(56) **References Cited**

**U.S. PATENT DOCUMENTS**

6,417,467 B1 \* 7/2002 Yamagata ..... H01H 13/7006  
200/5 A

D467,880 S \* 12/2002 Kawashima ..... D13/158  
(Continued)

(72) Inventor: **Kaori Amano**, Yamanashi-ken (JP)

(73) Assignees: **CITIZEN ELECTRONICS CO., LTD.**, Yamanashi-Ken (JP); **CITIZEN WATCH CO., LTD.**, Tokyo (JP)

**FOREIGN PATENT DOCUMENTS**

JP D1425373 10/2011  
JP D1425595 10/2011

(\*) Notice: This patent is subject to a terminal disclaimer.

*Primary Examiner* — Selina Sikder

(\*\*) Term: **15 Years**

(74) *Attorney, Agent, or Firm* — Wenderoth, Lind & Ponack, L.L.P.

(21) Appl. No.: **29/539,651**

(57) **CLAIM**

The ornamental design for switch, as shown and described.

(22) Filed: **Sep. 16, 2015**

**DESCRIPTION**

(30) **Foreign Application Priority Data**

Mar. 23, 2015 (JP) ..... D2015-006248

Mar. 23, 2015 (JP) ..... D2015-006250

Mar. 23, 2015 (JP) ..... D2015-006251

FIG. 1 is a top perspective view of a first embodiment of a switch showing an upper surface with front and left side surfaces;

FIG. 2 is a bottom perspective view thereof showing a bottom surface with rear and right side surfaces;

FIG. 3 is a front view thereof, a rear view being identical to FIG. 3;

FIG. 4 is a top plan view thereof;

FIG. 5 is a bottom plan view thereof;

FIG. 6 is a left side view thereof, a right side view being identical to FIG. 6;

FIG. 7 is a top perspective view of a second embodiment of a switch showing an upper surface with front and left side surfaces;

FIG. 8 is a bottom perspective view thereof showing a bottom surface with rear and right side surfaces;

FIG. 9 is a front view thereof, a rear view being identical to FIG. 9;

FIG. 10 is a top plan view thereof;

(Continued)

(51) **LOC (11) Cl.** ..... **13-03**

(52) **U.S. Cl.**

USPC ..... **D13/158**; D13/171

(58) **Field of Classification Search**

USPC ..... D13/180, 158, 171

CPC ... H01L 25/0753; H01L 25/167; H01L 27/15;

H01L 27/156; H01L 33/00; H01L 33/04;

H01L 33/08; H01L 33/10; H01L 33/20;

H01L 33/28; H01L 33/42; H01L 33/48;

H01L 33/483; H01L 33/486; H01H

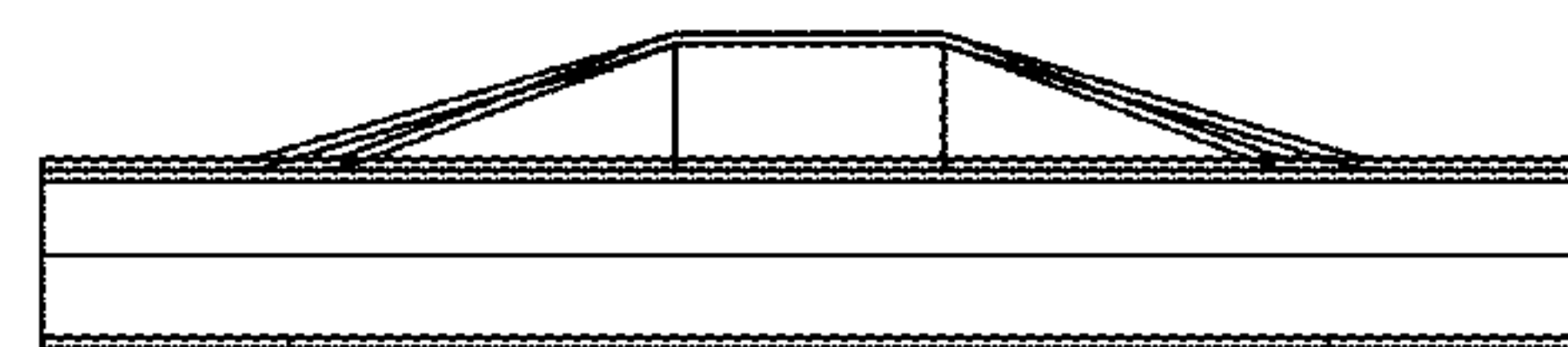
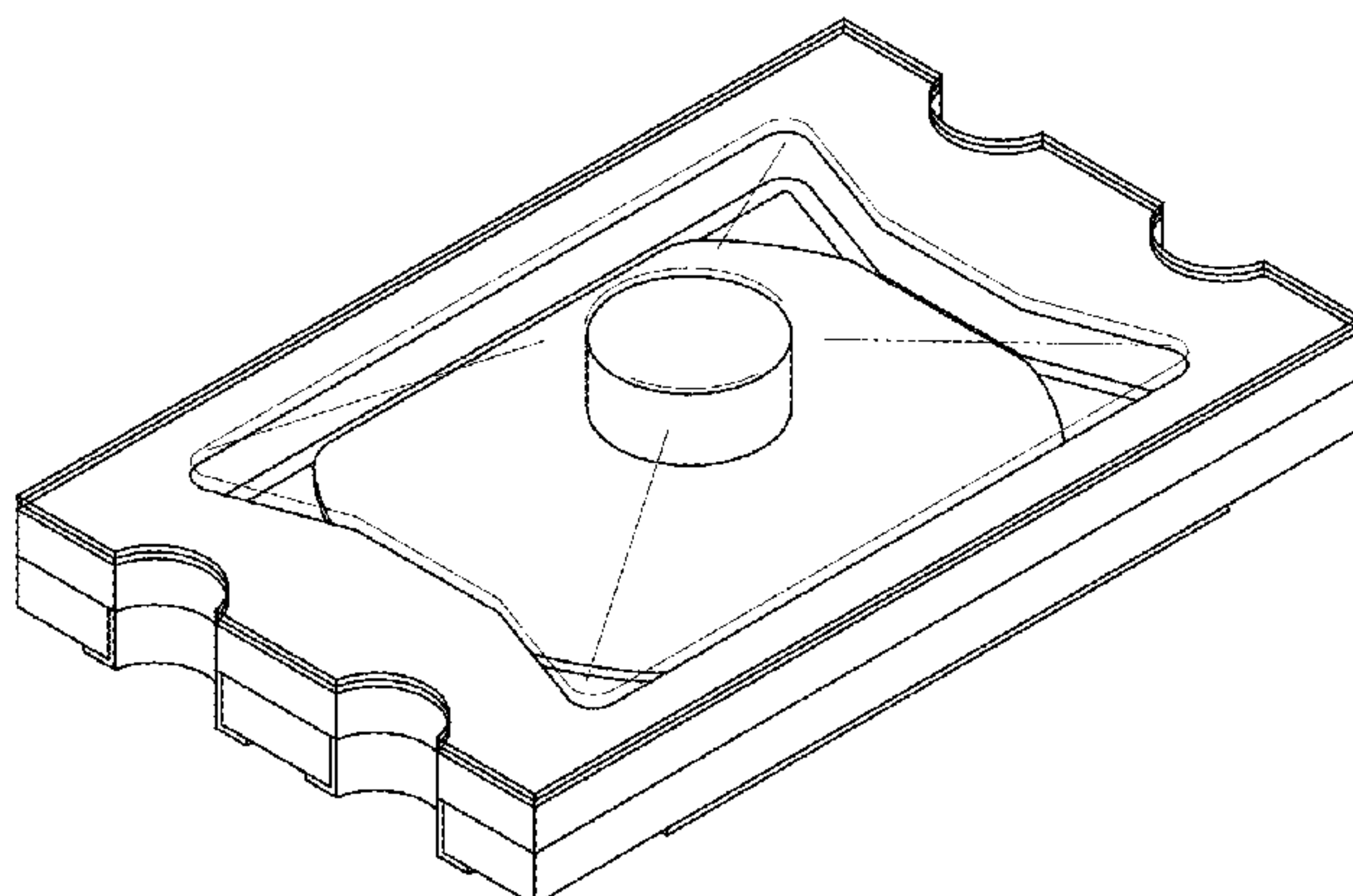


FIG. 11 is a bottom plan view thereof; and, FIG. 12 is a left side view thereof, a right side view being identical to FIG. 12.

1 Claim, 6 Drawing Sheets

(56)

References Cited

U.S. PATENT DOCUMENTS

6,646,217 B2 \* 11/2003 Omata ..... H01H 5/30  
200/406  
6,747,218 B2 \* 6/2004 Huseman ..... H01H 13/7006  
200/1 B  
7,075,020 B2 \* 7/2006 Asada ..... H01H 13/48  
200/1 B  
7,557,320 B1 \* 7/2009 Crooijmans ..... H01H 13/85  
200/406  
7,690,803 B2 \* 4/2010 Miyashita ..... G02B 6/0018  
362/23.04  
D680,503 S \* 4/2013 Kawashima ..... D13/171  
D688,636 S \* 8/2013 Oishi ..... D13/171  
8,759,704 B2 \* 6/2014 Inamoto ..... H01H 13/85  
200/406  
D714,230 S \* 9/2014 Sun ..... D13/171  
D719,924 S \* 12/2014 Ueno ..... D13/171  
D741,819 S \* 10/2015 Ueno ..... D13/171  
9,406,460 B2 \* 8/2016 Nakaoka ..... H01H 13/14  
2007/0039809 A1 \* 2/2007 Aihara ..... H01H 13/83  
200/310  
2008/0047808 A1 \* 2/2008 Tan ..... H01H 13/14  
200/1 R  
2008/0251369 A1 \* 10/2008 Villain ..... H01H 13/48  
200/534

2008/0277251 A1 \* 11/2008 Tatman ..... H01H 13/48  
200/17 B  
2008/0314722 A1 \* 12/2008 Tatehata ..... H01H 13/83  
200/314  
2009/0178911 A1 \* 7/2009 Chen ..... H01H 13/705  
200/5 A  
2009/0266696 A1 \* 10/2009 Miyashita ..... H01H 13/83  
200/5 A  
2010/0140065 A1 \* 6/2010 Lee ..... H01H 13/48  
200/17 R  
2011/0214969 A1 \* 9/2011 Burnel ..... H01H 1/64  
200/17 R  
2011/0284357 A1 \* 11/2011 Yasunaga ..... H01H 13/85  
200/530  
2011/0303520 A1 \* 12/2011 Burnel ..... H01H 13/44  
200/512  
2012/0055773 A1 \* 3/2012 Nakaoka ..... H01H 13/705  
200/512  
2012/0111712 A1 \* 5/2012 Cour ..... H01H 13/48  
200/511  
2012/0118720 A1 \* 5/2012 Kikuchi ..... H01H 1/5805  
200/512  
2013/0068599 A1 \* 3/2013 Kikuchi ..... H01H 13/48  
200/341  
2013/0087443 A1 \* 4/2013 Kikuchi ..... H01H 13/48  
200/520  
2014/0151213 A1 \* 6/2014 Watanabe ..... H01H 13/04  
200/535  
2014/0311882 A1 \* 10/2014 Terashita ..... H01H 13/10  
200/520  
2016/0064158 A1 \* 3/2016 Nakase ..... H01H 13/14  
200/275  
2016/0203925 A1 \* 7/2016 Gluck ..... H01H 13/14  
200/520  
2016/0351360 A1 \* 12/2016 Knopf ..... H01H 13/023  
2017/0069444 A1 \* 3/2017 Wang ..... H01H 13/023

\* cited by examiner

Fig. 1

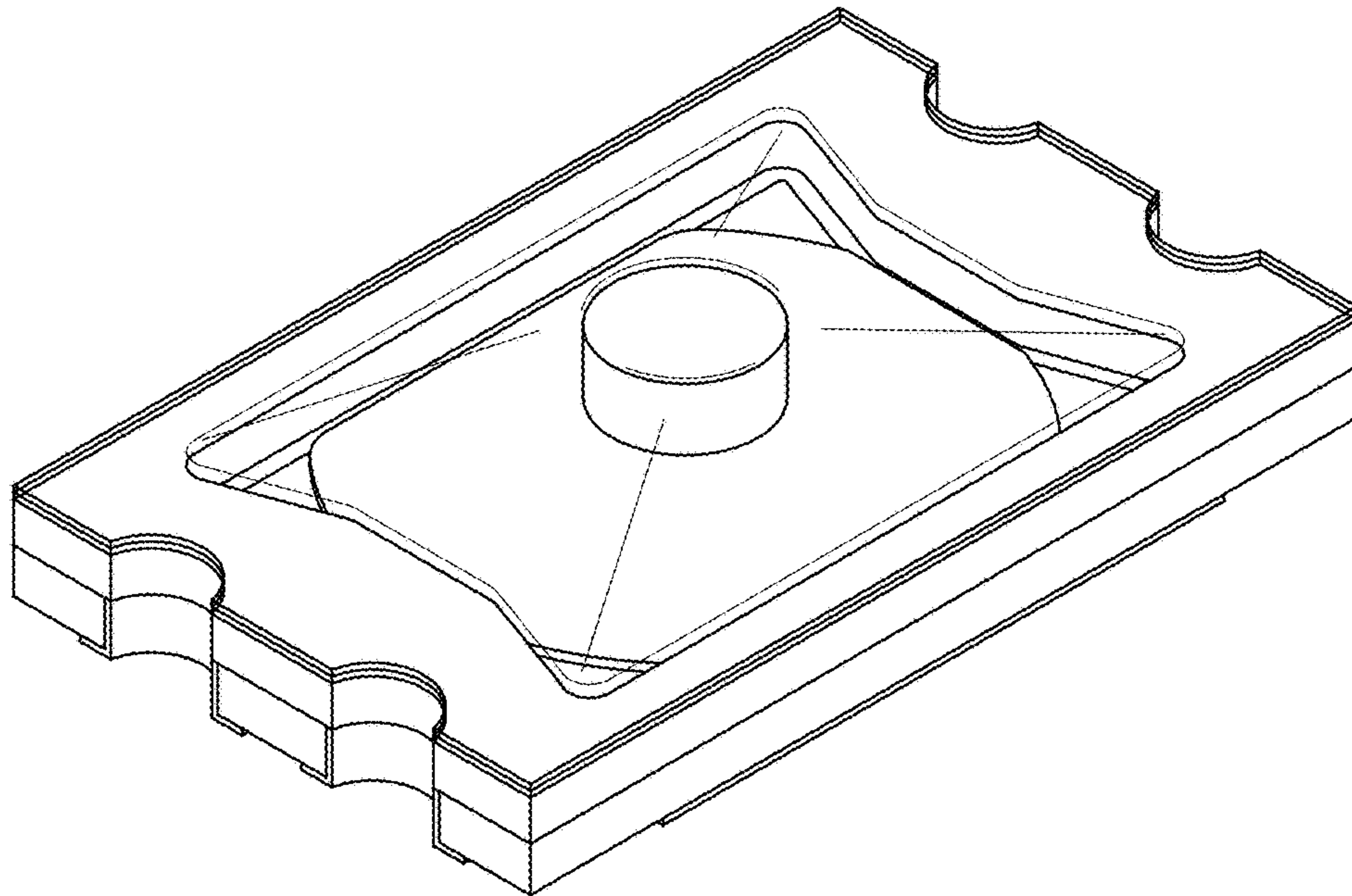


Fig. 2

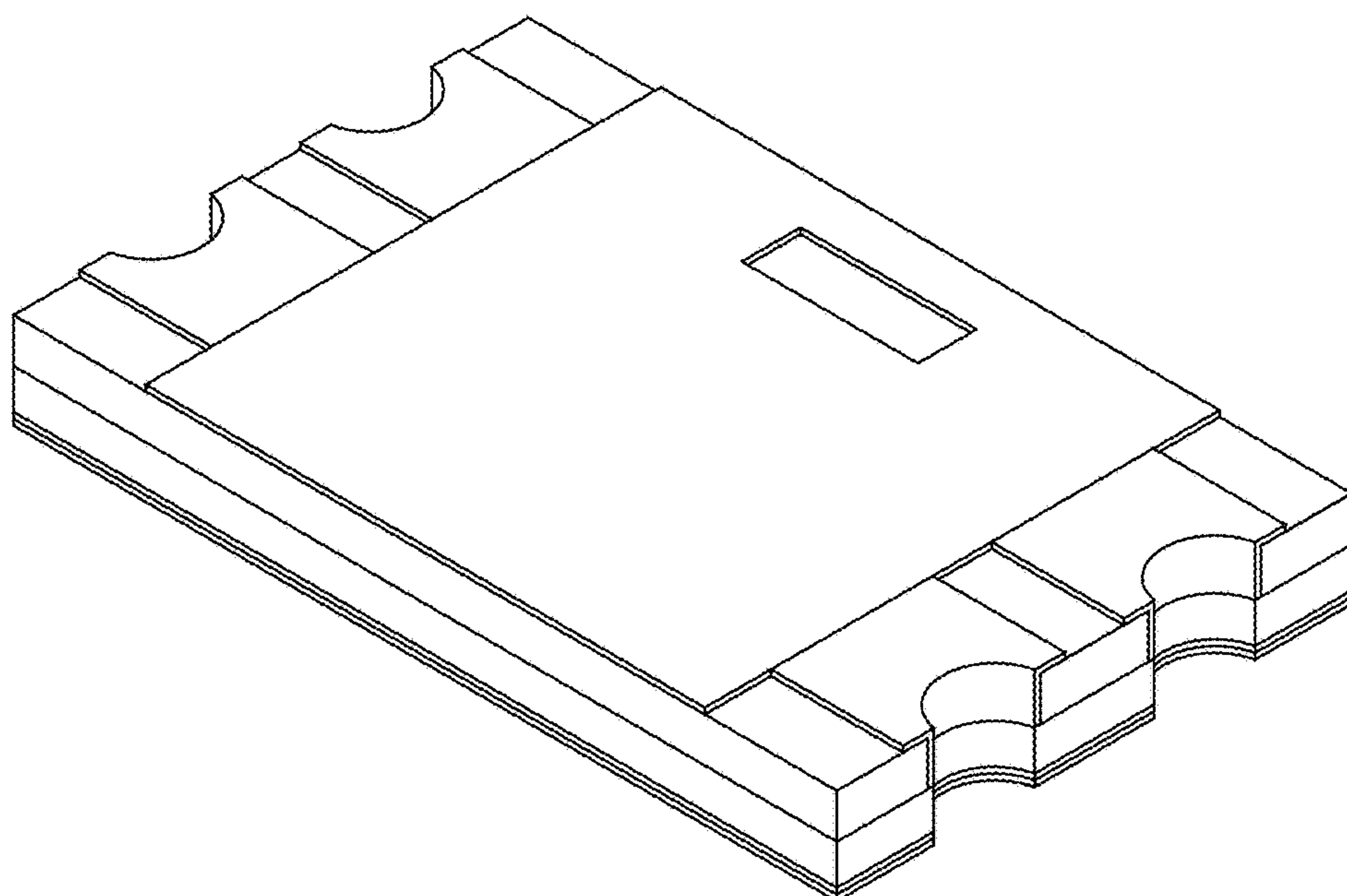


Fig. 3

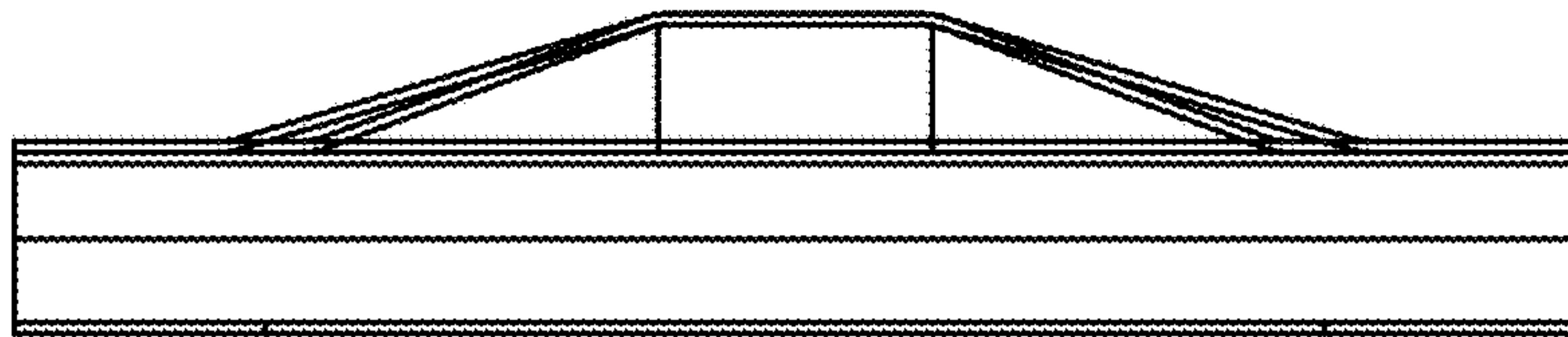


Fig. 4

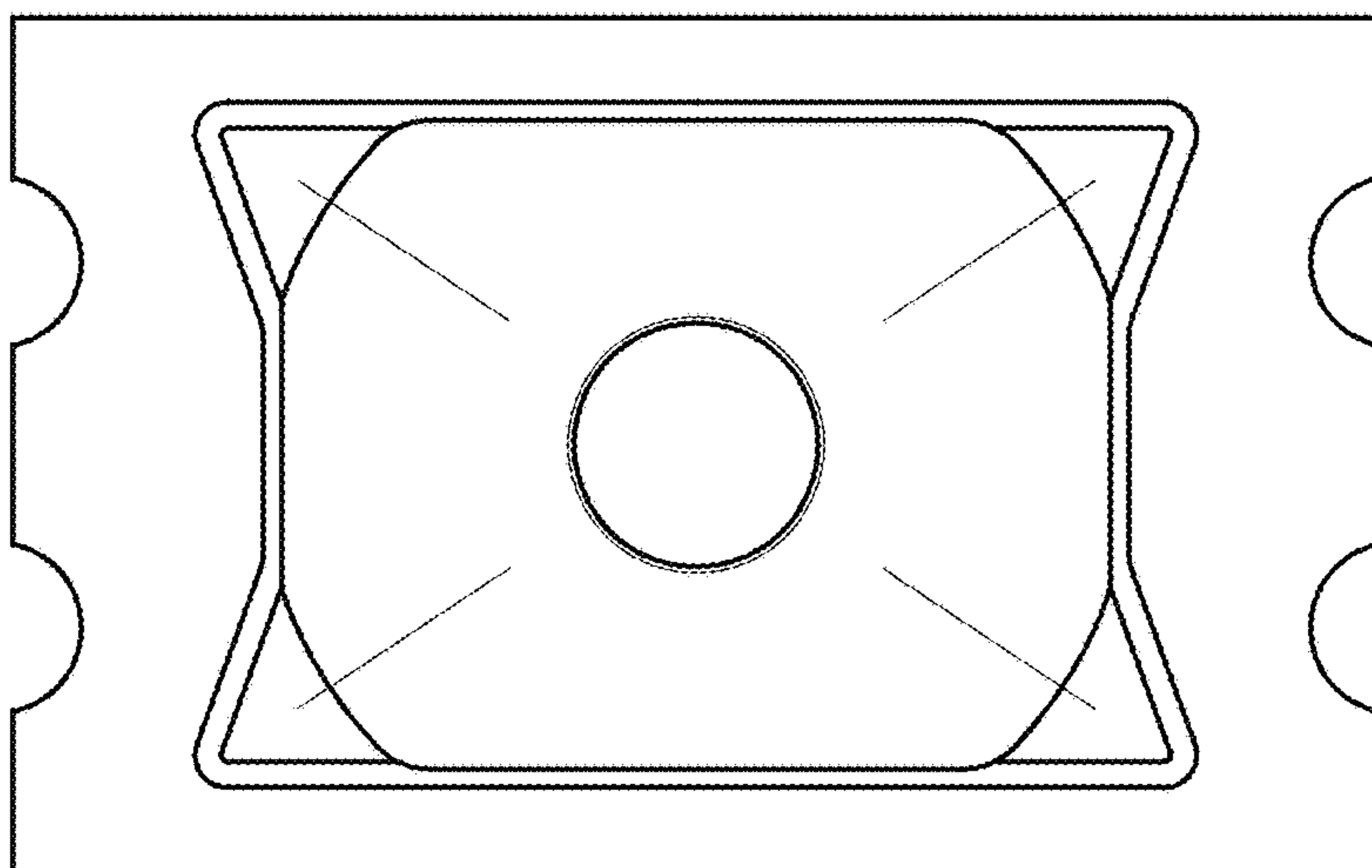




Fig. 5

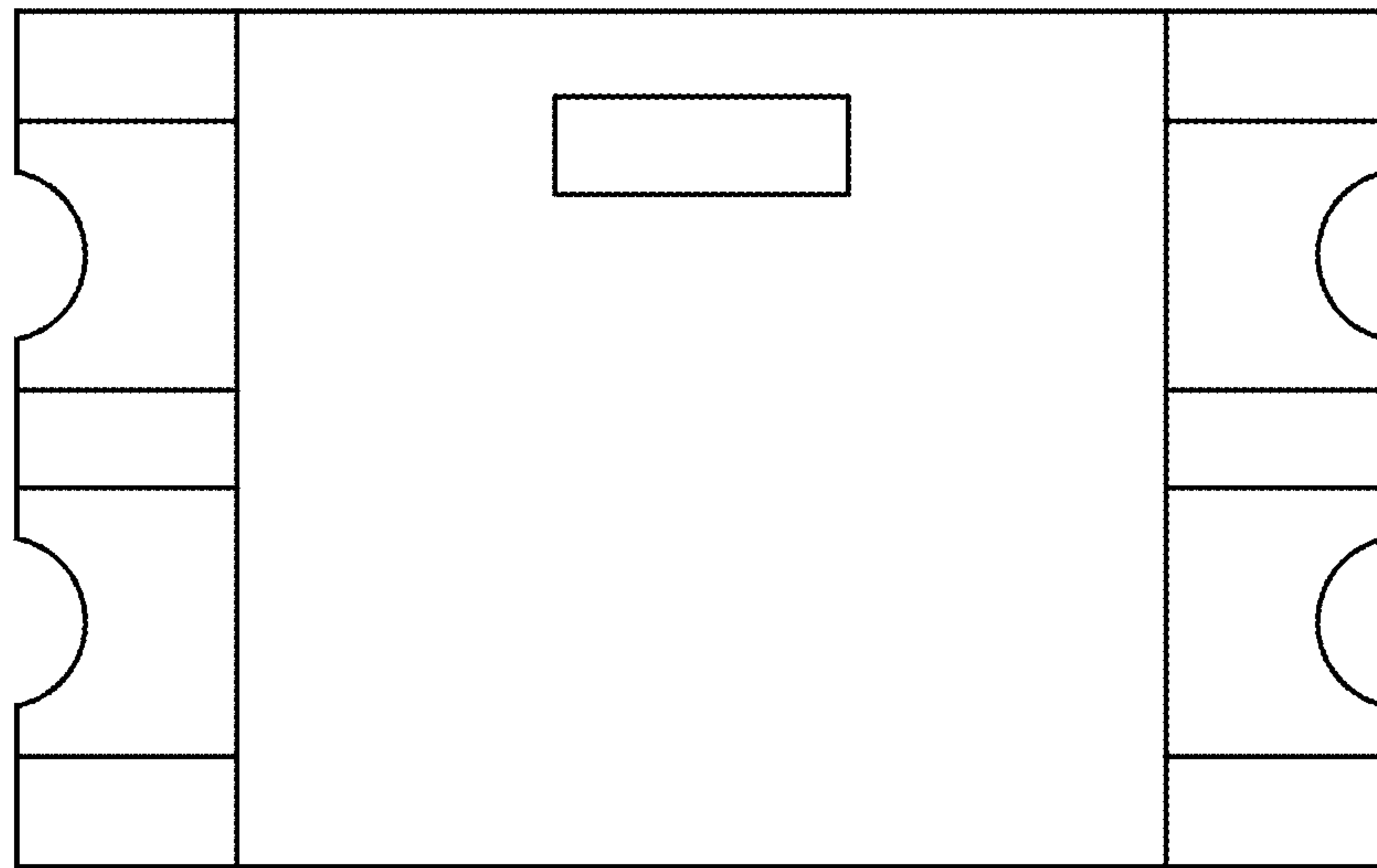


Fig. 6

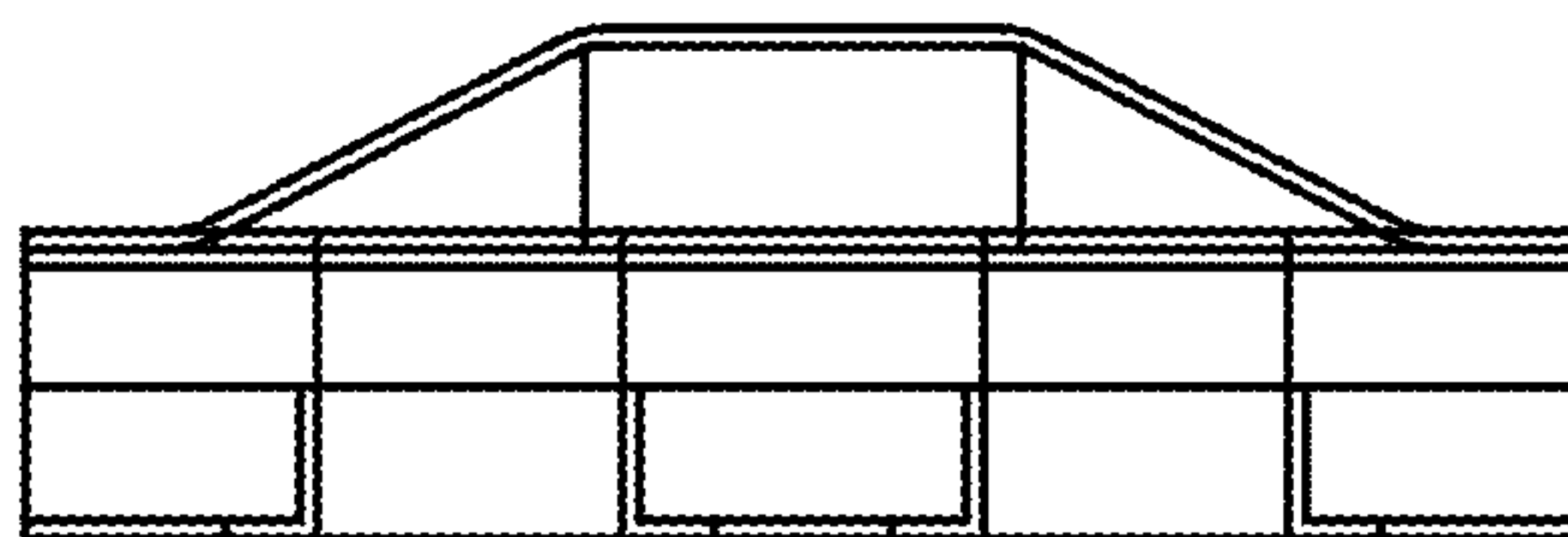


Fig. 7

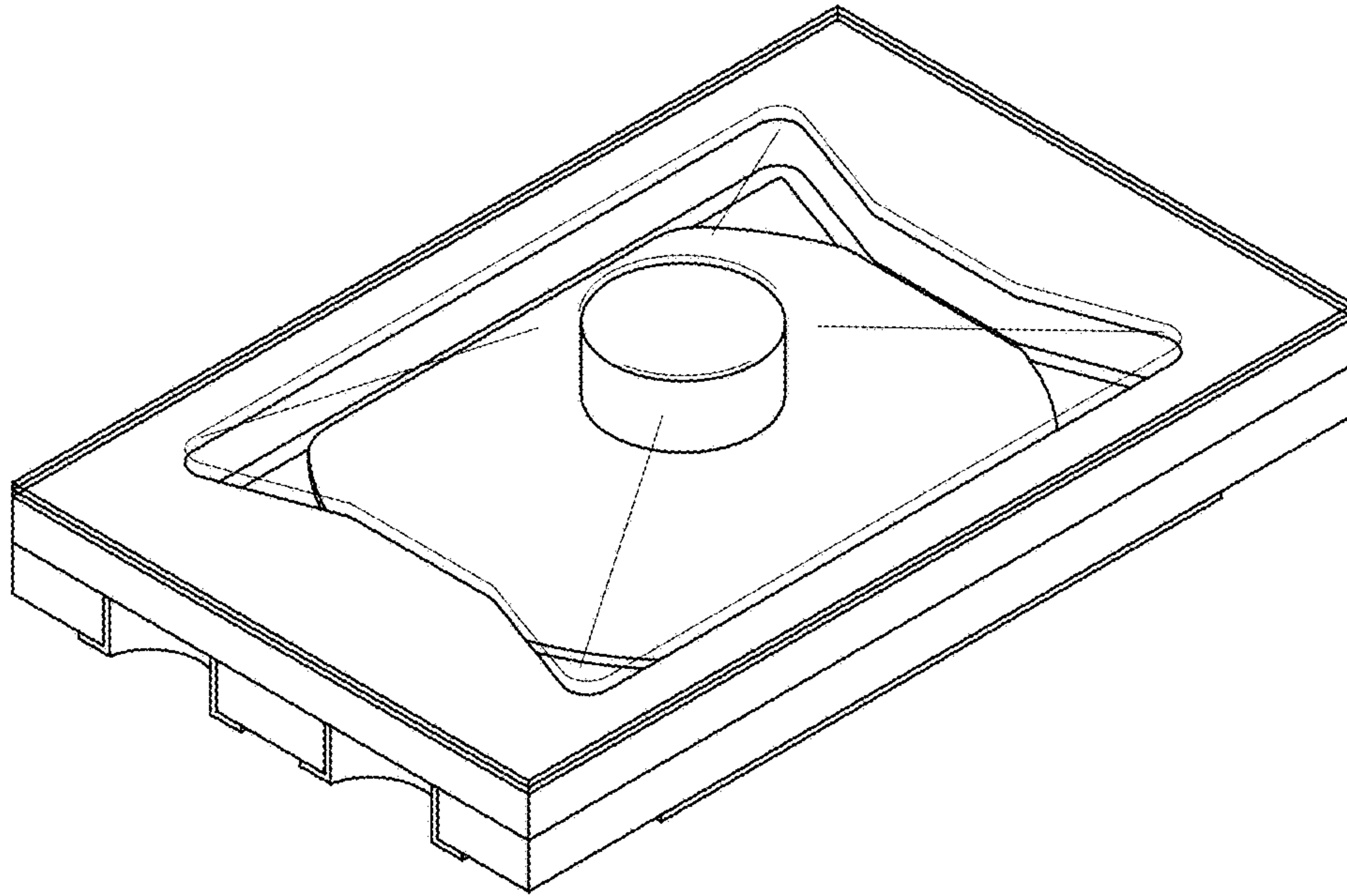


Fig. 8

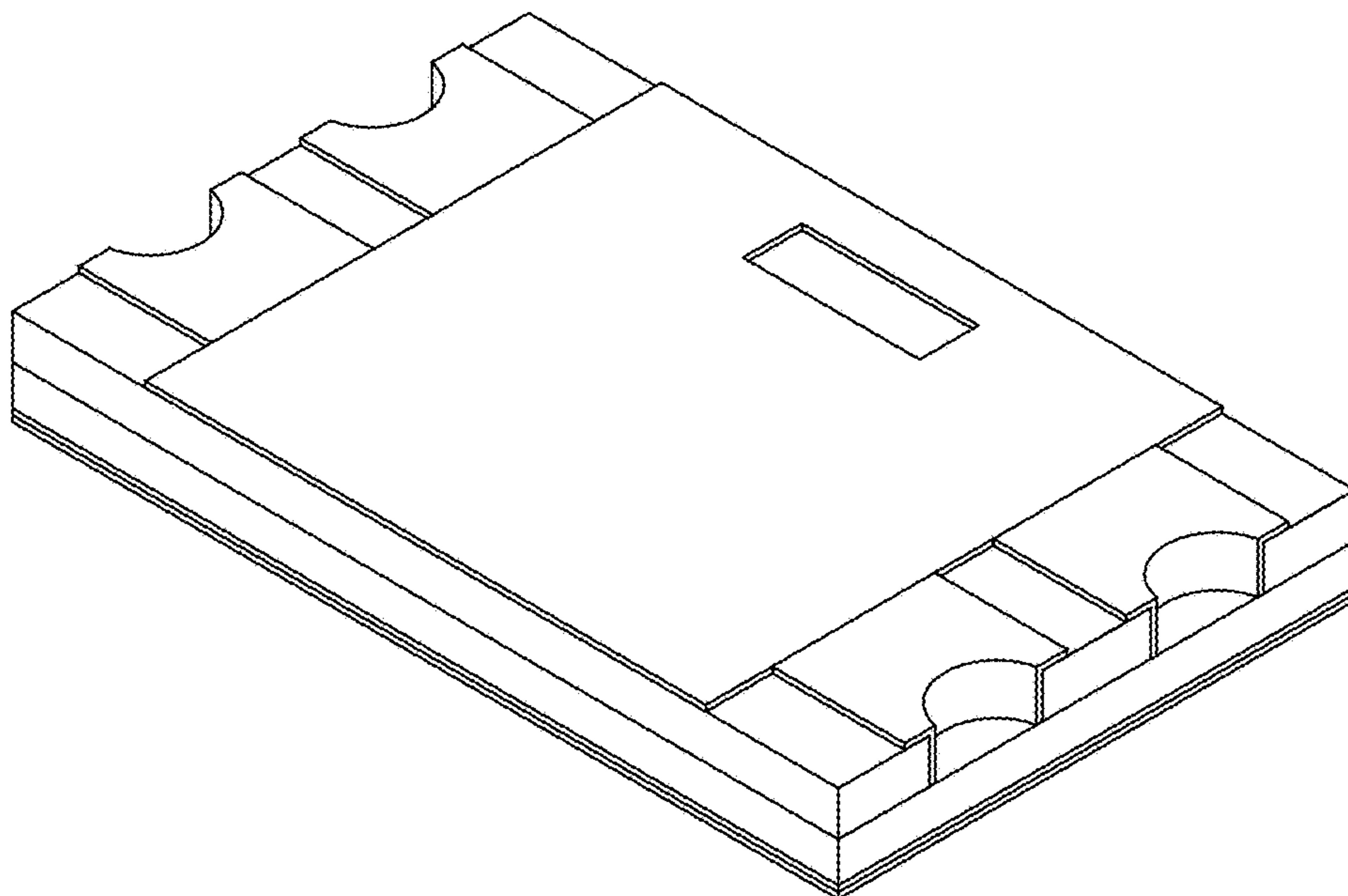


Fig. 9

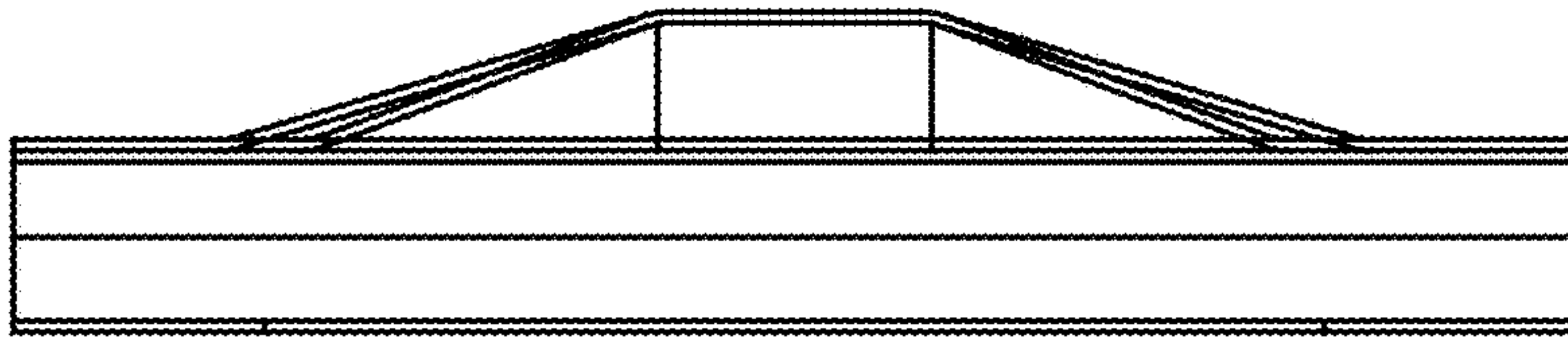


Fig. 10

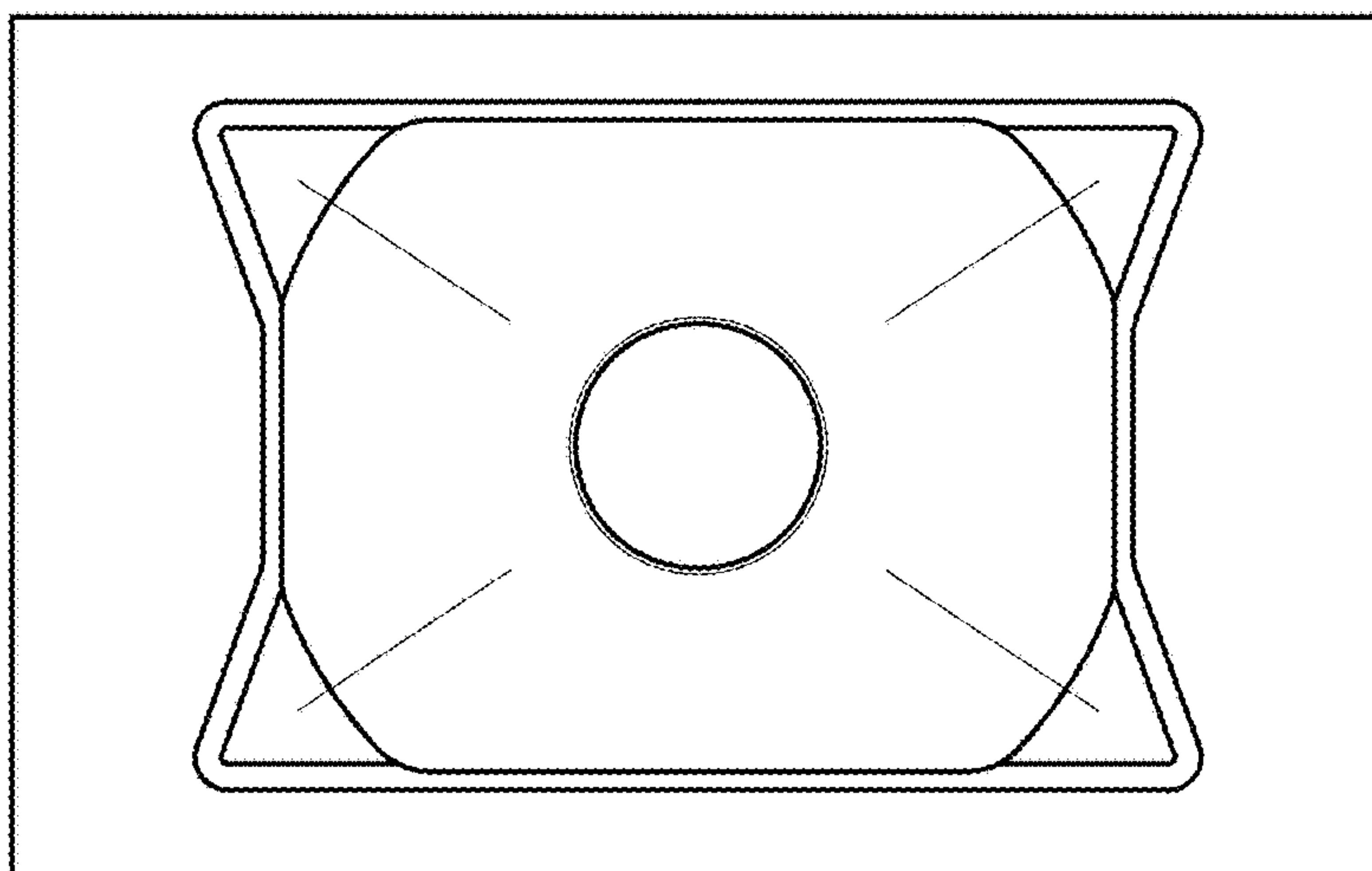


Fig. 11

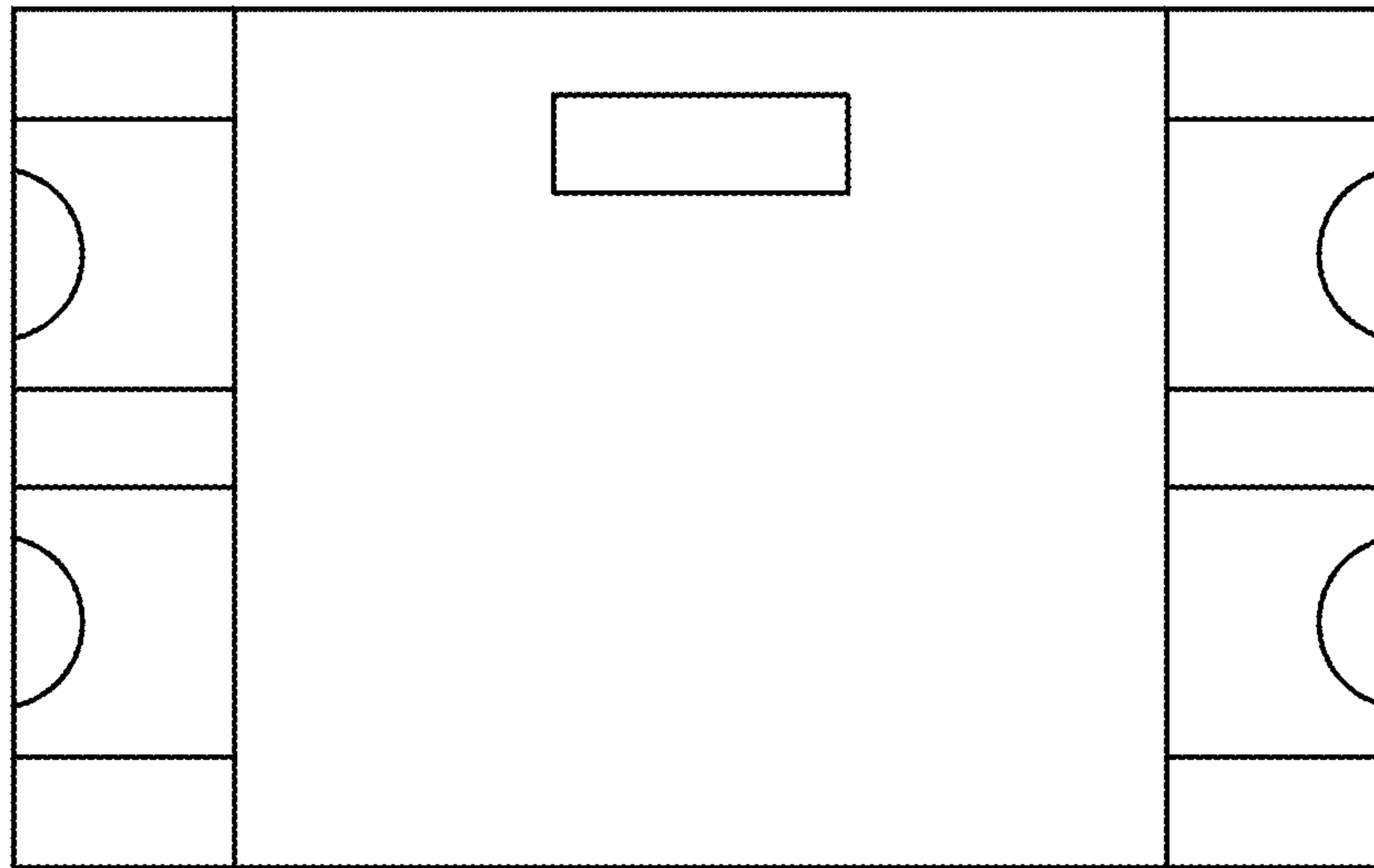


Fig. 12

