



US00D809466S

(12) **United States Design Patent**  
**Bahtijaragic**

(10) **Patent No.:** **US D809,466 S**

(45) **Date of Patent:** **\*\* Feb. 6, 2018**

(54) **MODULE FOR FLAT CABLES**

- (71) Applicant: **Roxtec AB**, Karlskrona (SE)
- (72) Inventor: **Almir Bahtijaragic**, Karlskrona (SE)
- (73) Assignee: **Roxtec AB**, Karlskrona (SE)

(\*\*) Term: **15 Years**

(21) Appl. No.: **29/568,376**

(22) Filed: **Jun. 17, 2016**

(30) **Foreign Application Priority Data**

Dec. 18, 2015 (EM) ..... 002915728-0003

(51) **LOC (11) Cl.** ..... **13-03**

(52) **U.S. Cl.**  
USPC ..... **D13/155**

(58) **Field of Classification Search**

USPC ..... D13/107, 108, 110, 118, 123, 133, 134,  
D13/137.2, 137.3, 139.1, 139.2, 146, 147,  
D13/148, 149, 150, 151, 152, 154, 155,  
D13/156, 158, 159, 162, 173, 179, 184,  
D13/199

CPC ..... F16L 5/08; F16L 5/14; F16L 5/10; F16L  
5/02; F16L 5/00; H02G 15/013; H02G  
3/22; H02G 3/18; E04C 2/52; H01B  
17/26

See application file for complete search history.

(56) **References Cited**

**U.S. PATENT DOCUMENTS**

- D694,192 S \* 11/2013 Millevik ..... D13/155
- D695,694 S \* 12/2013 Millevik ..... D13/155
- D704,668 S \* 5/2014 Millevik ..... D13/155

(Continued)

**FOREIGN PATENT DOCUMENTS**

- KR 20100008059 U 8/2010
- WO 2004/112211 A1 12/2004

**OTHER PUBLICATIONS**

Roxtec EzEntry frame installation movie, posted on Youtube.com, posted on May 3, 2012, [online], [site visited Apr. 19, 2017]. Available from Internet, <<https://www.youtube.com/watch?v=Djxco2DE5kg>>.\*

(Continued)

*Primary Examiner* — Mary Ann Calabrese

*Assistant Examiner* — Catherine Ho

(74) *Attorney, Agent, or Firm* — Merchant & Gould P.C.

(57) **CLAIM**

The ornamental design for a module for flat cables, as shown and described.

**DESCRIPTION**

FIG. 1 is a front view of a first embodiment of a module for flat cables.

FIG. 2 is a rear view of the module of FIG. 1.

FIG. 3 is a top view of the module of FIG. 1.

FIG. 4 is a bottom view of the module of FIG. 1.

FIG. 5 is a first side view of the module of FIG. 1.

FIG. 6 is a second side view of the module of FIG. 1.

FIG. 7 is a perspective view of the module of FIG. 1 showing the front, top, and first side.

FIG. 8 is a front view of a second embodiment of a module for flat cables.

FIG. 9 is a rear view of the module of FIG. 8.

FIG. 10 is a top view of the module of FIG. 8.

FIG. 11 is a bottom view of the module of FIG. 8.

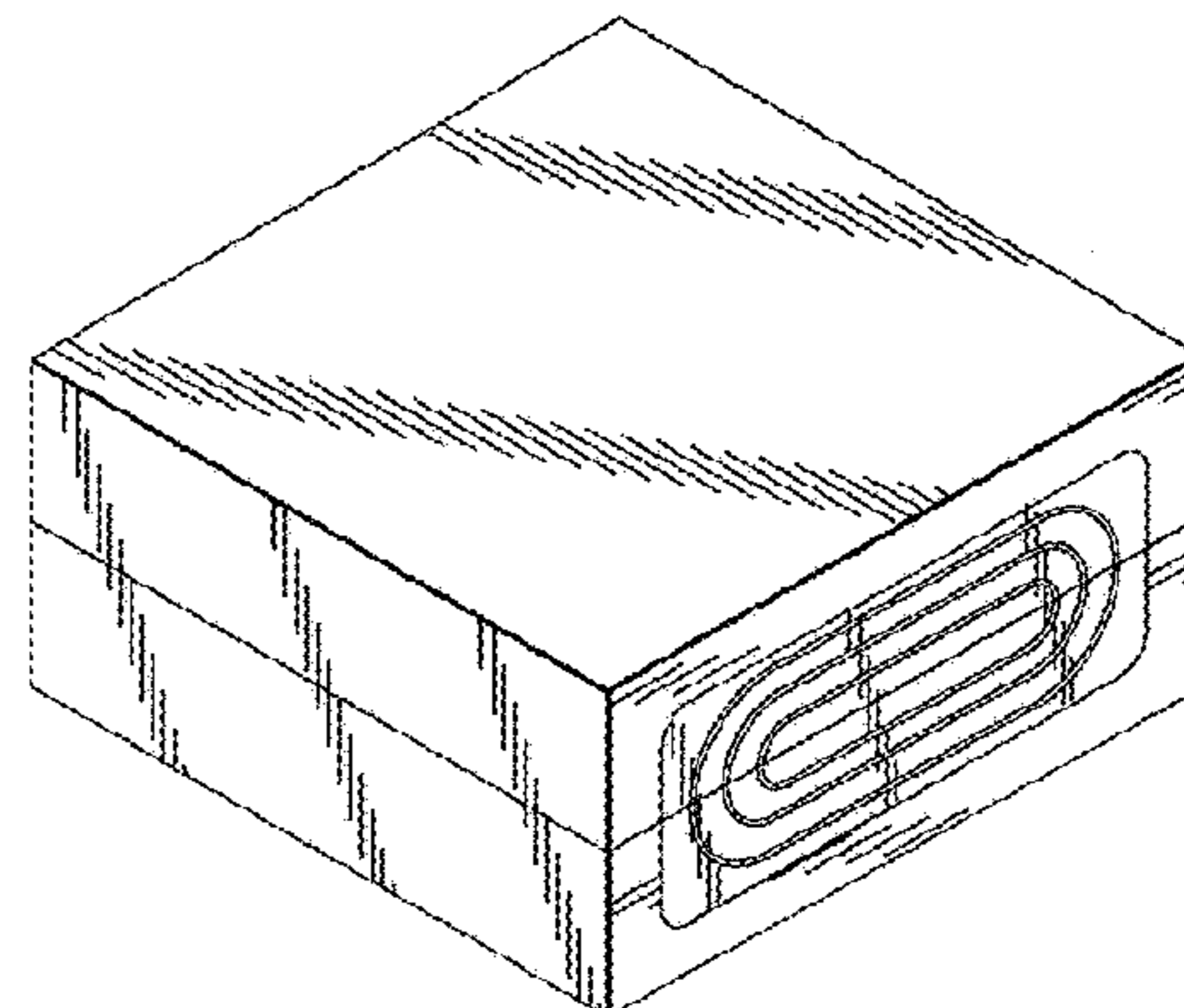
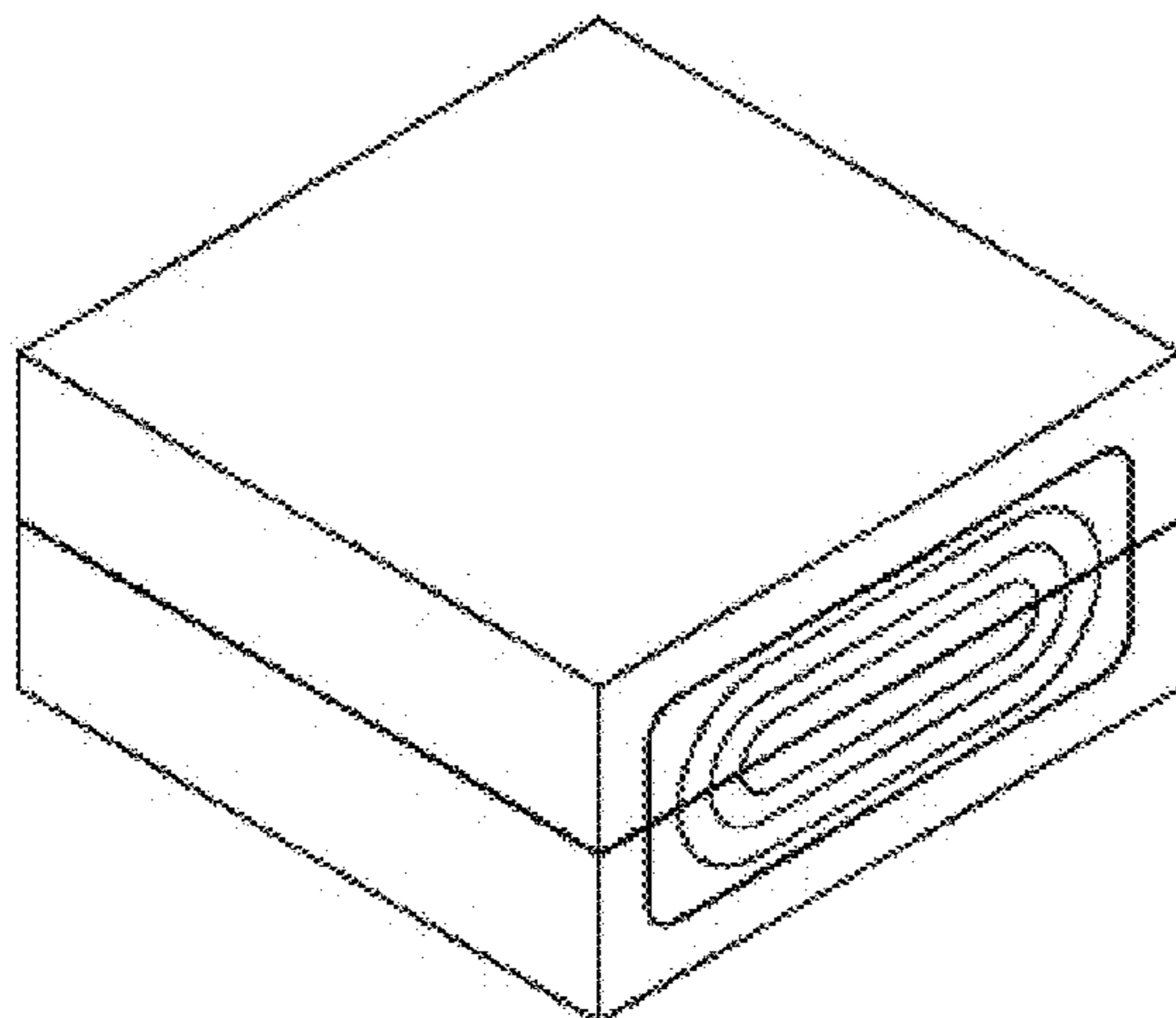
FIG. 12 is a first side view of the module of FIG. 8.

FIG. 13 is a second side view of the module of FIG. 8; and,

FIG. 14 is a perspective view of the module of FIG. 8 showing the front, top, and first side.

In the Figures, the curved inner regions form gaps constructed to receive a male plug member. The gaps are shown by single lines in FIGS. 1-7 and by pairs of lines in FIGS. 8-14.

**1 Claim, 8 Drawing Sheets**



(56)

**References Cited**

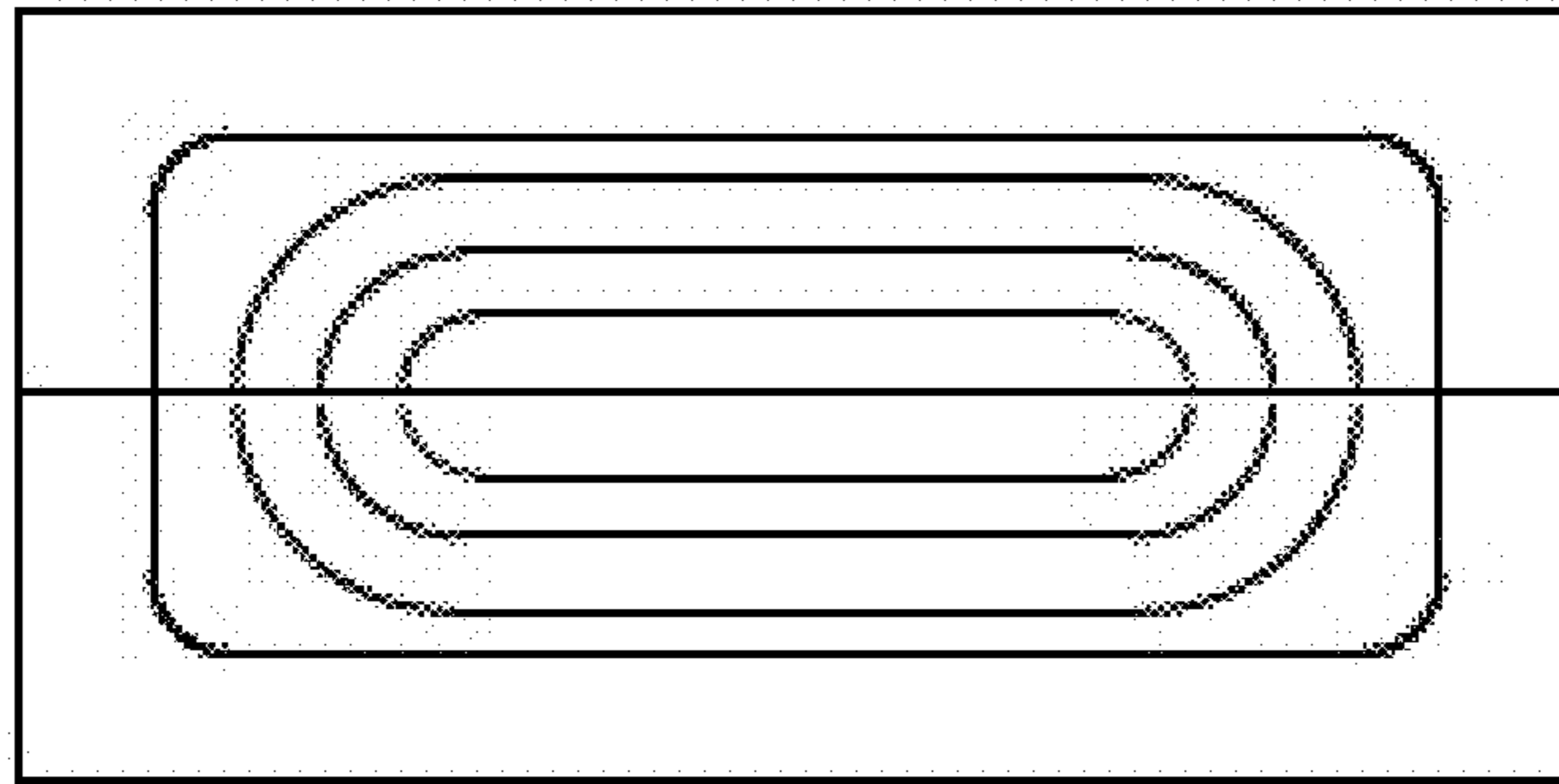
U.S. PATENT DOCUMENTS

D715,744	S *	10/2014	Millevik	.....	D13/155
D729,746	S *	5/2015	Millevik	.....	D13/155
2003/0110719	A1 *	6/2003	Broder	.....	F16L 5/08 52/220.8
2006/0272241	A1 *	12/2006	Kreutz	.....	F16L 5/08 52/220.1
2010/0212107	A1 *	8/2010	Milton	.....	F16L 5/08 16/2.1
2011/0248453	A1 *	10/2011	Johansson	.....	F16L 5/08 277/602
2012/0013079	A1 *	1/2012	Andersson	.....	H02G 3/22 277/606
2012/0032036	A1 *	2/2012	Andersson	.....	F16L 5/08 248/74.1
2013/0328271	A1 *	12/2013	Kurz	.....	H02G 3/22 277/314

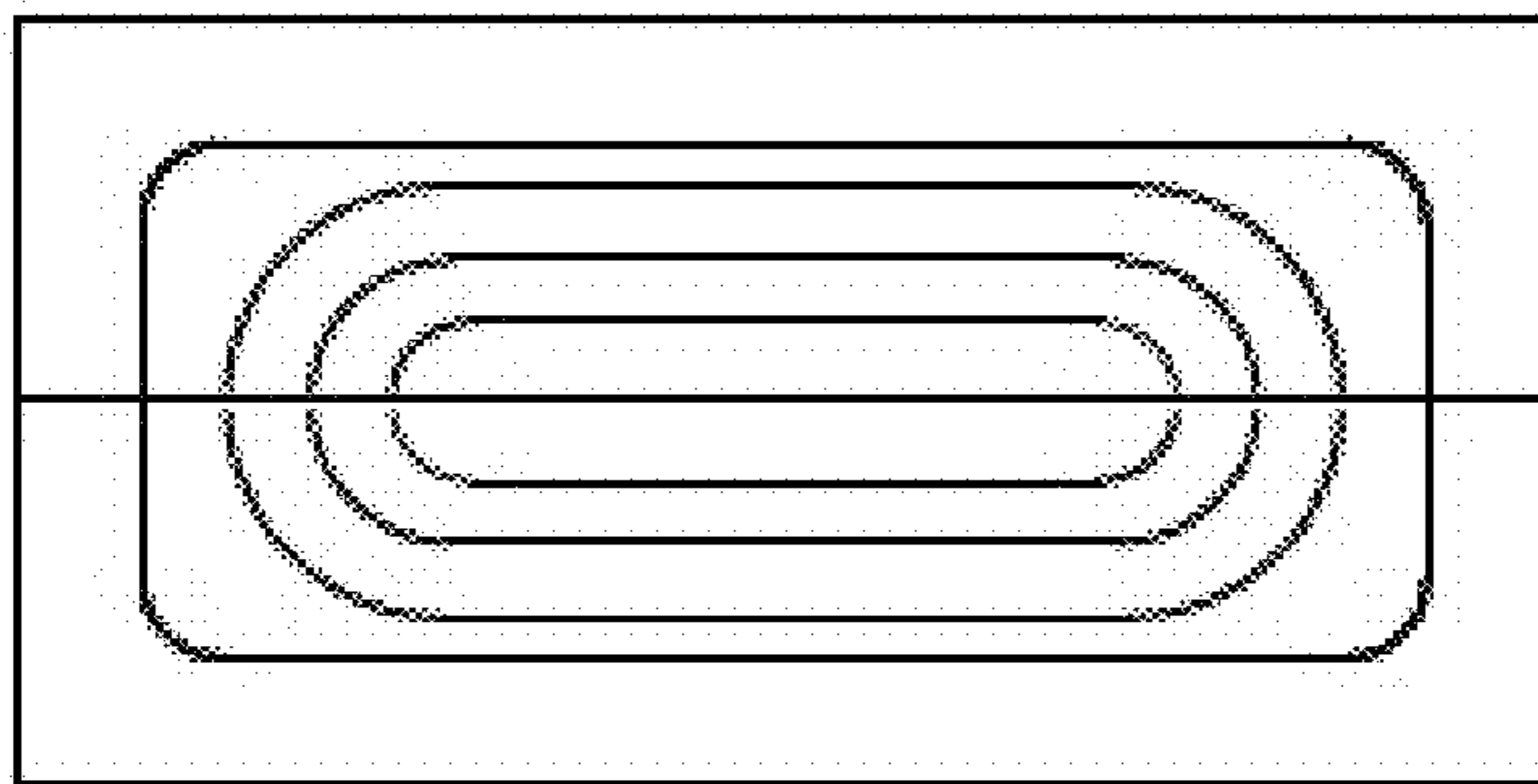
OTHER PUBLICATIONS

Roxtec CF 8 BG, posted at youtube.com, posted on Jun. 27, 2012, [online], [site visited Apr. 19, 2017]. Available from Internet, <<https://www.youtube.com/watch?v=8Xel-uHPGM8>>.\*

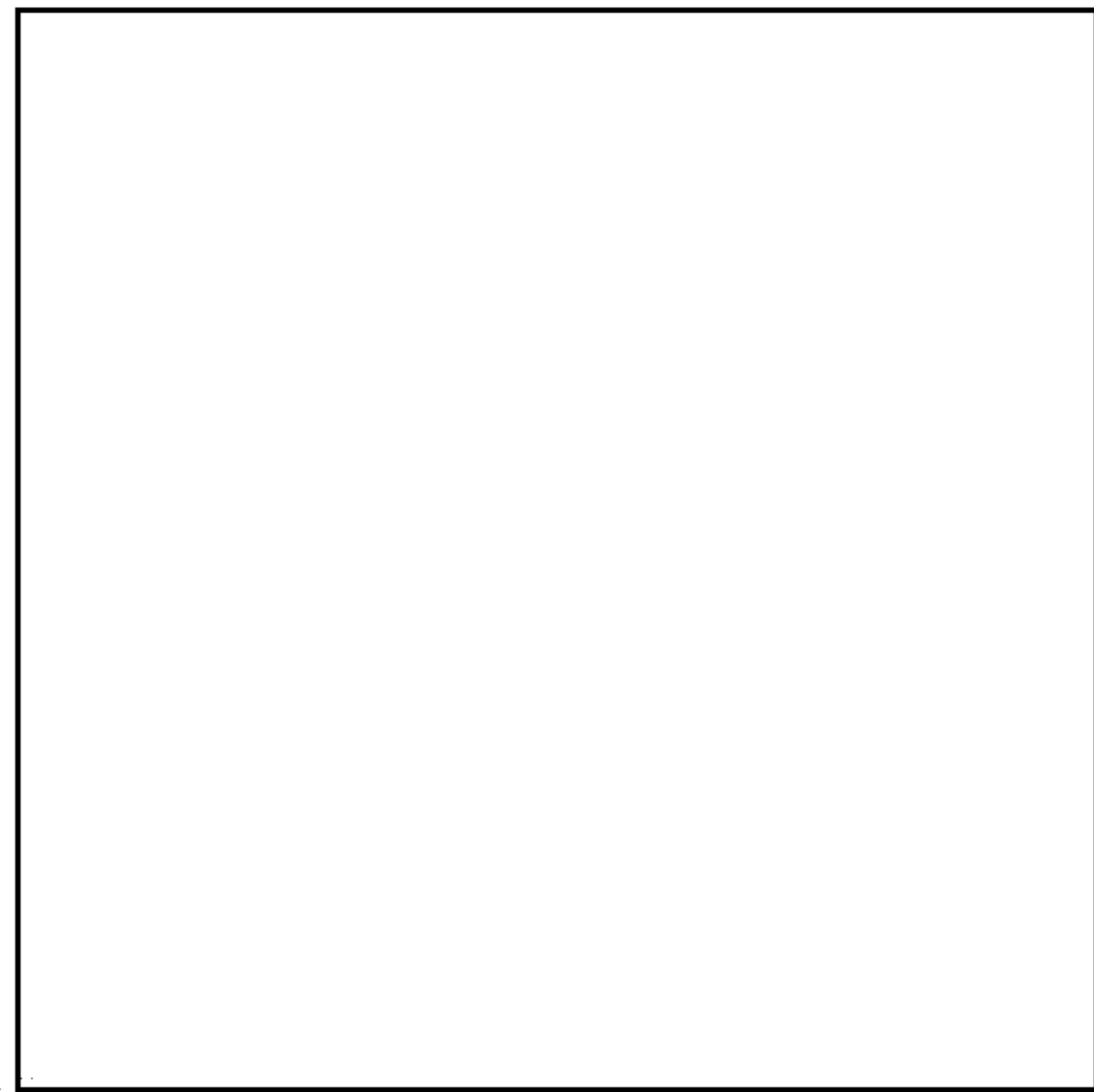
\* cited by examiner



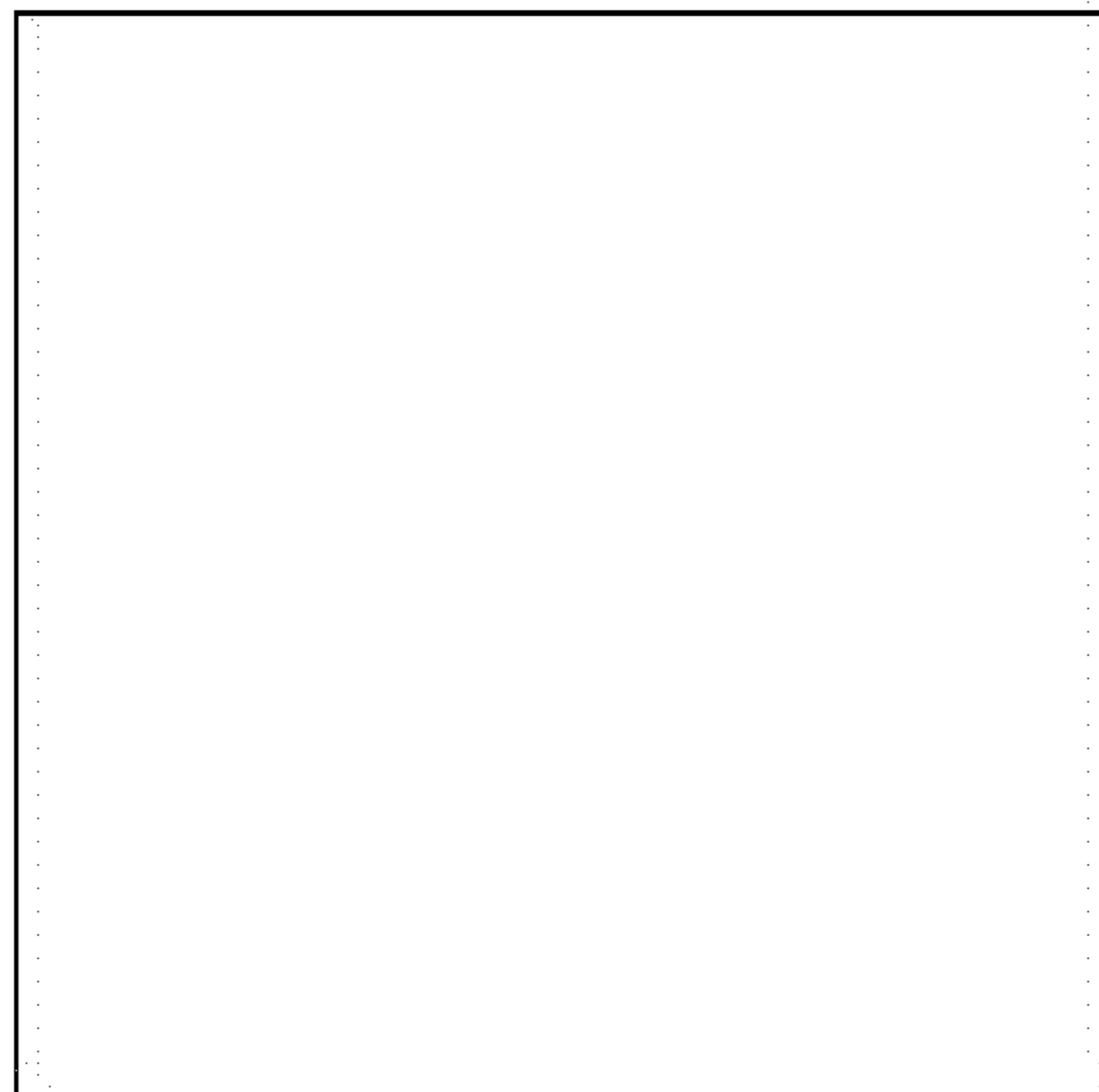
**FIG. 1**



**FIG. 2**



**FIG. 3**



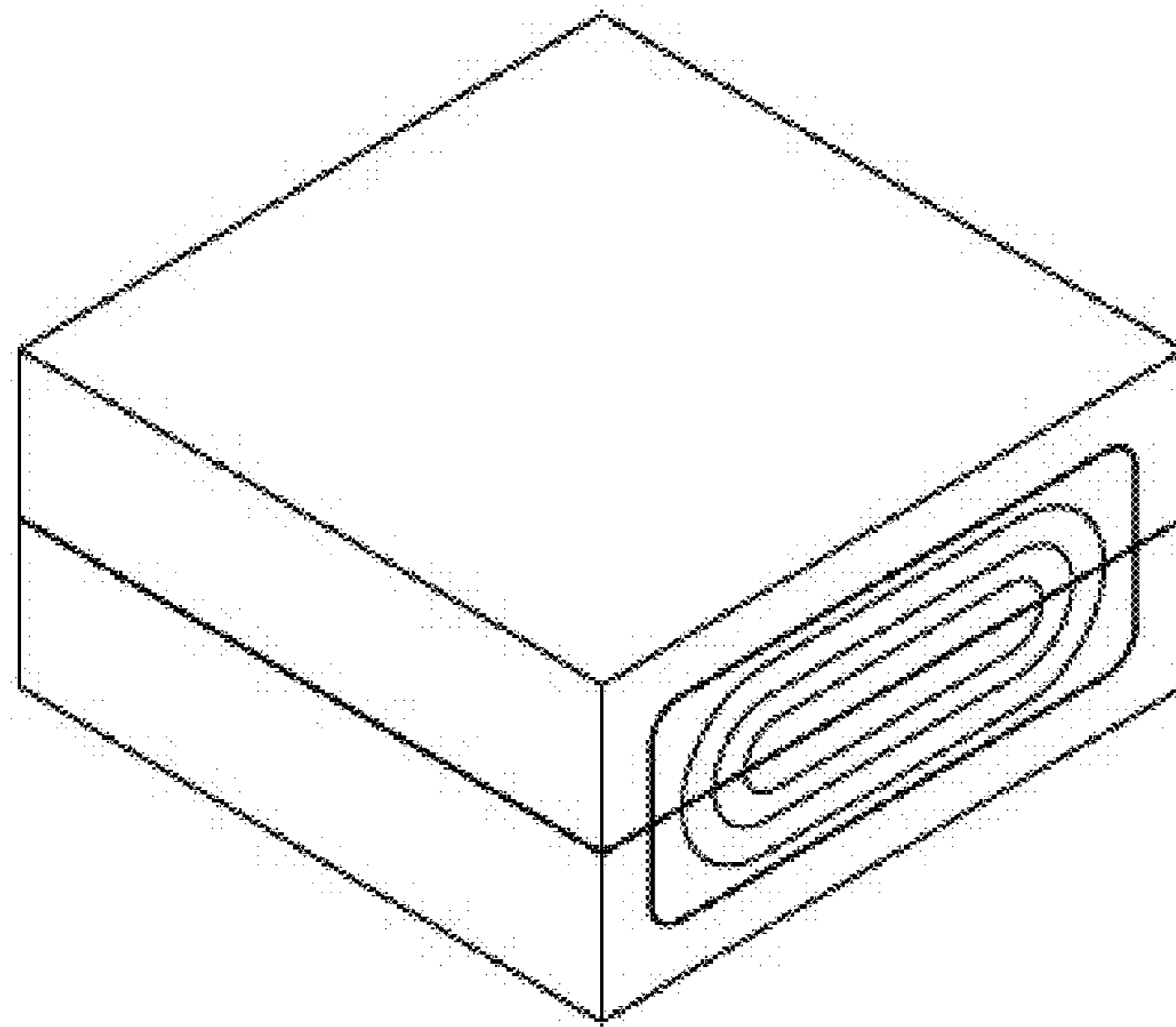
**FIG. 4**



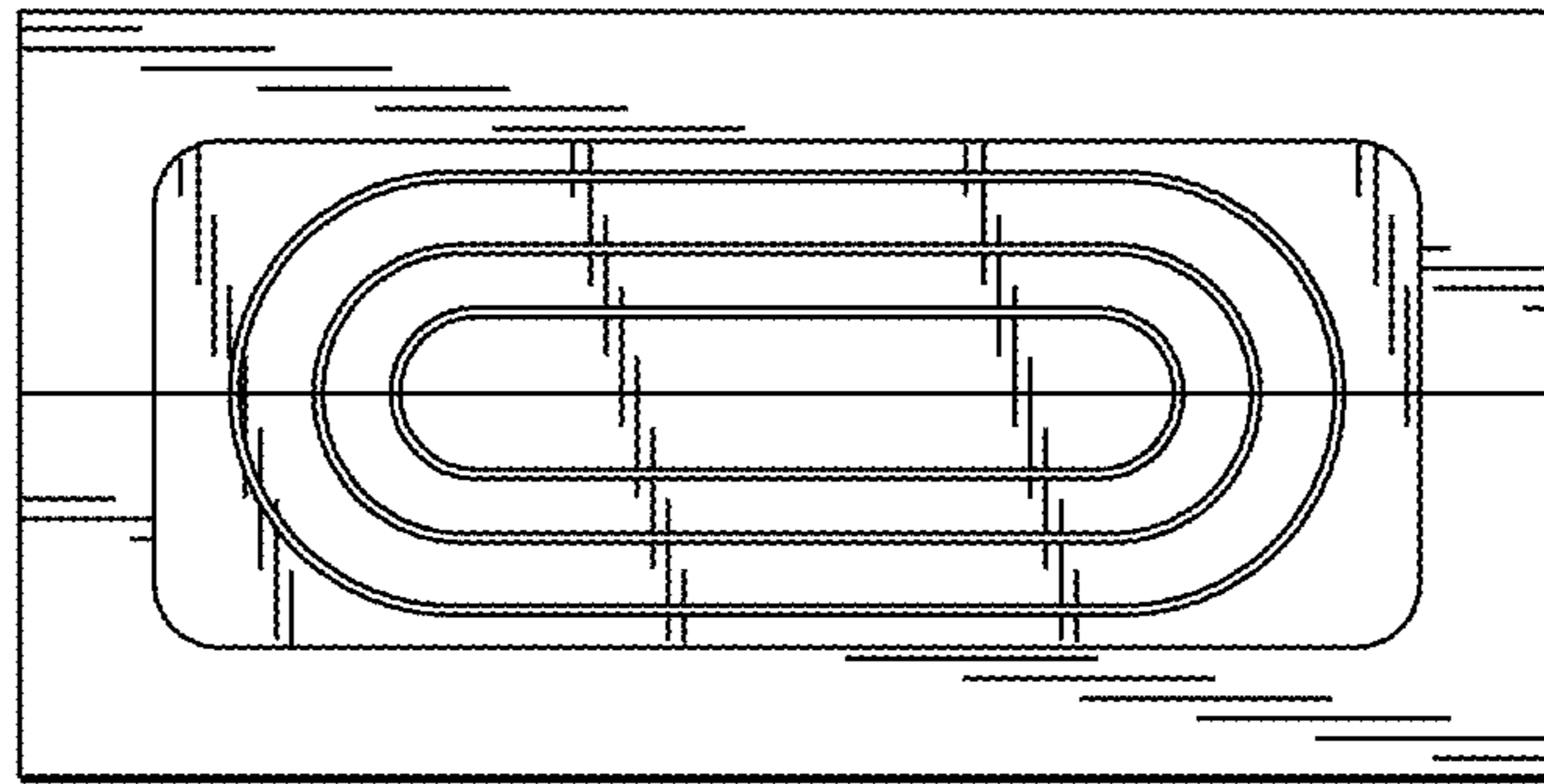
**FIG. 5**



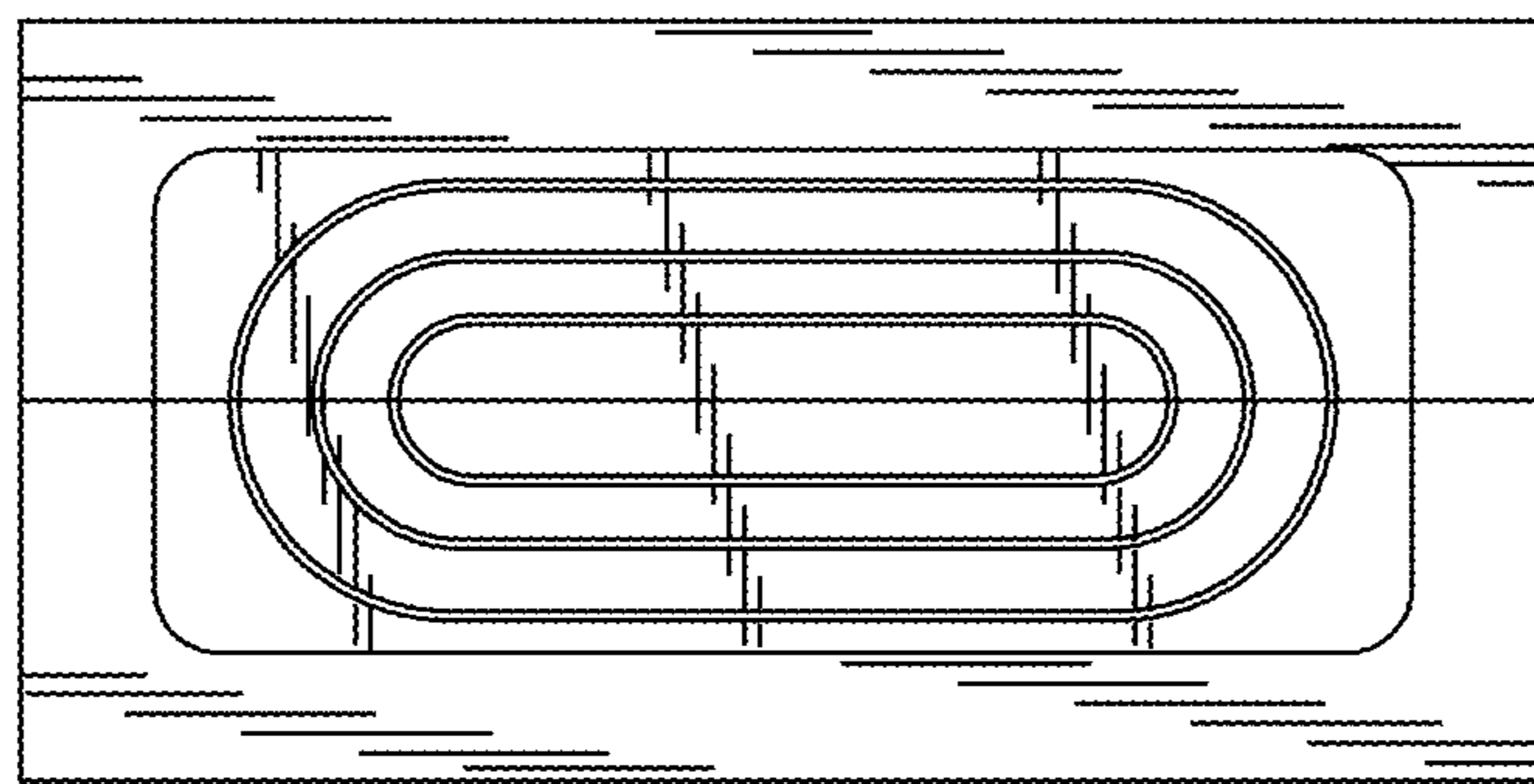
**FIG. 6**



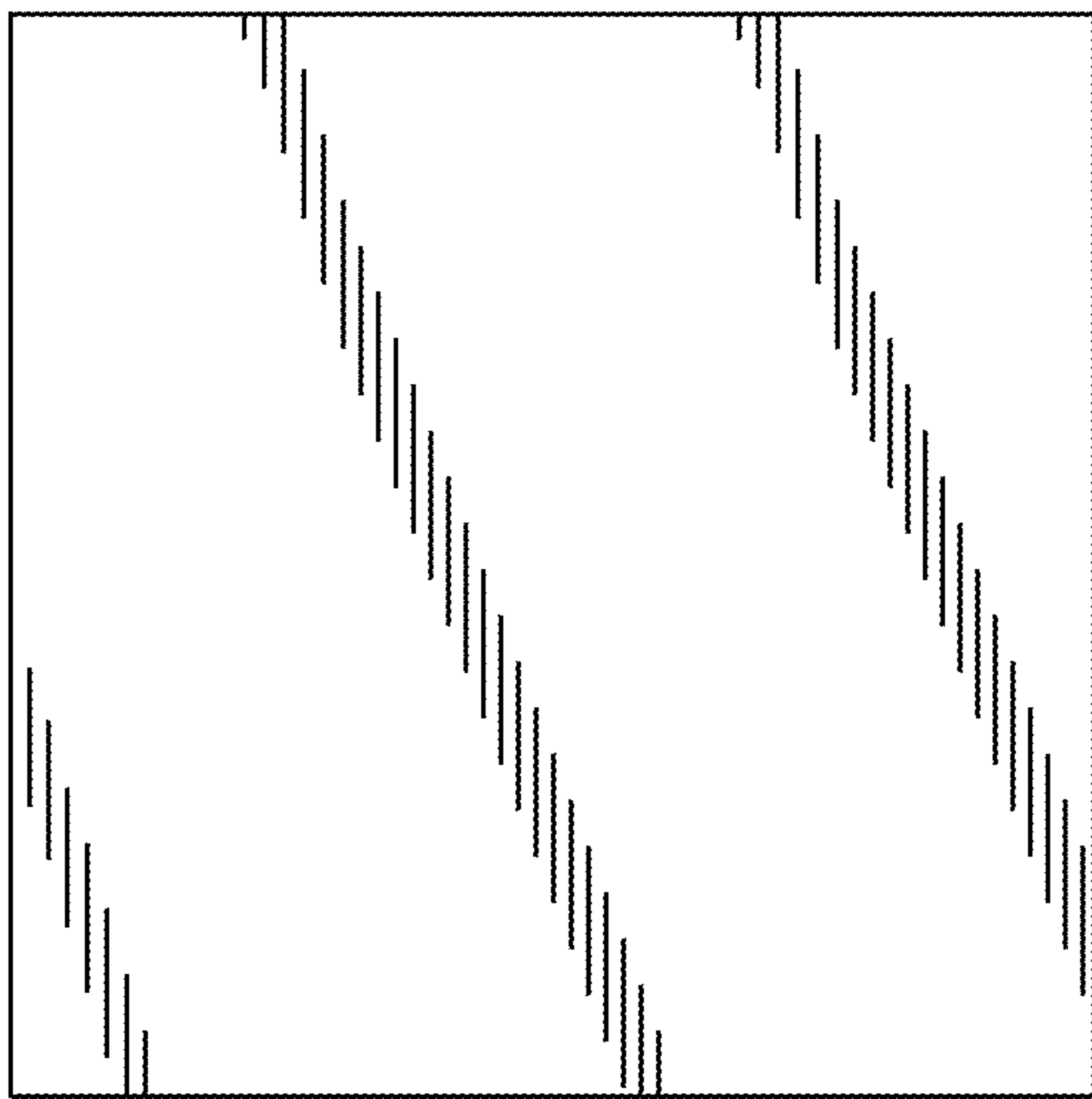
**FIG. 7**



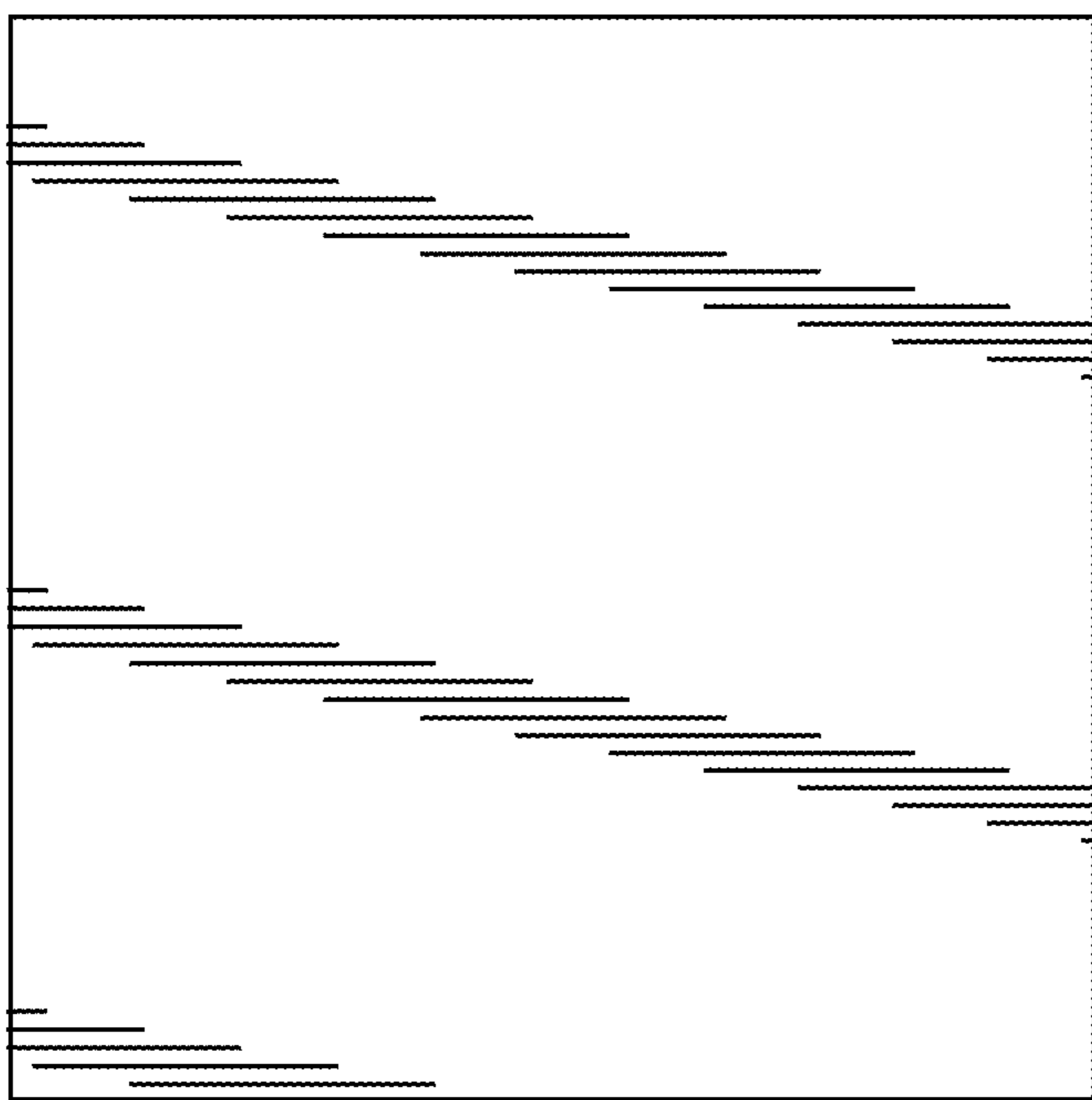
**FIG. 8**



**FIG. 9**

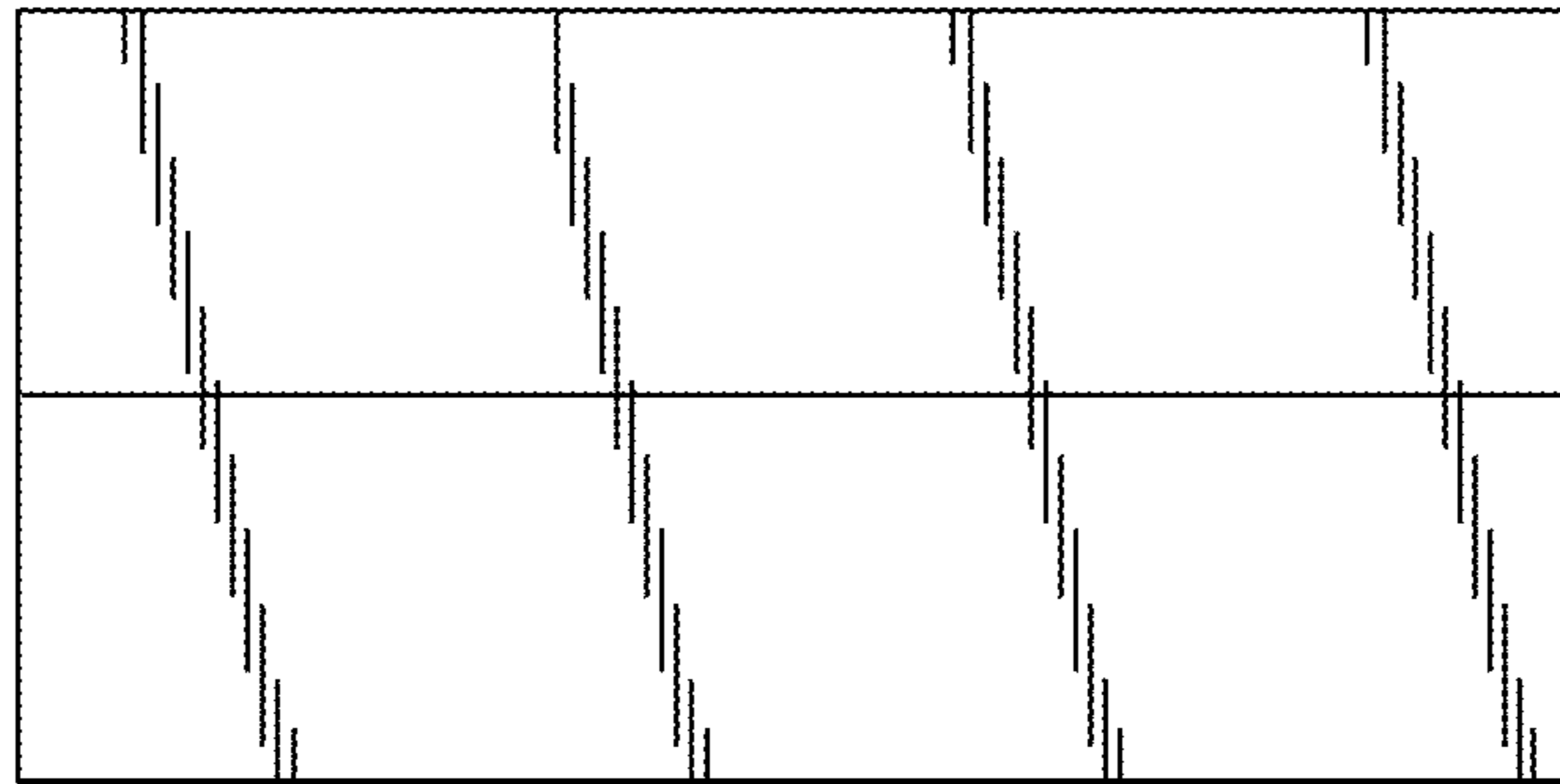


**FIG. 10**

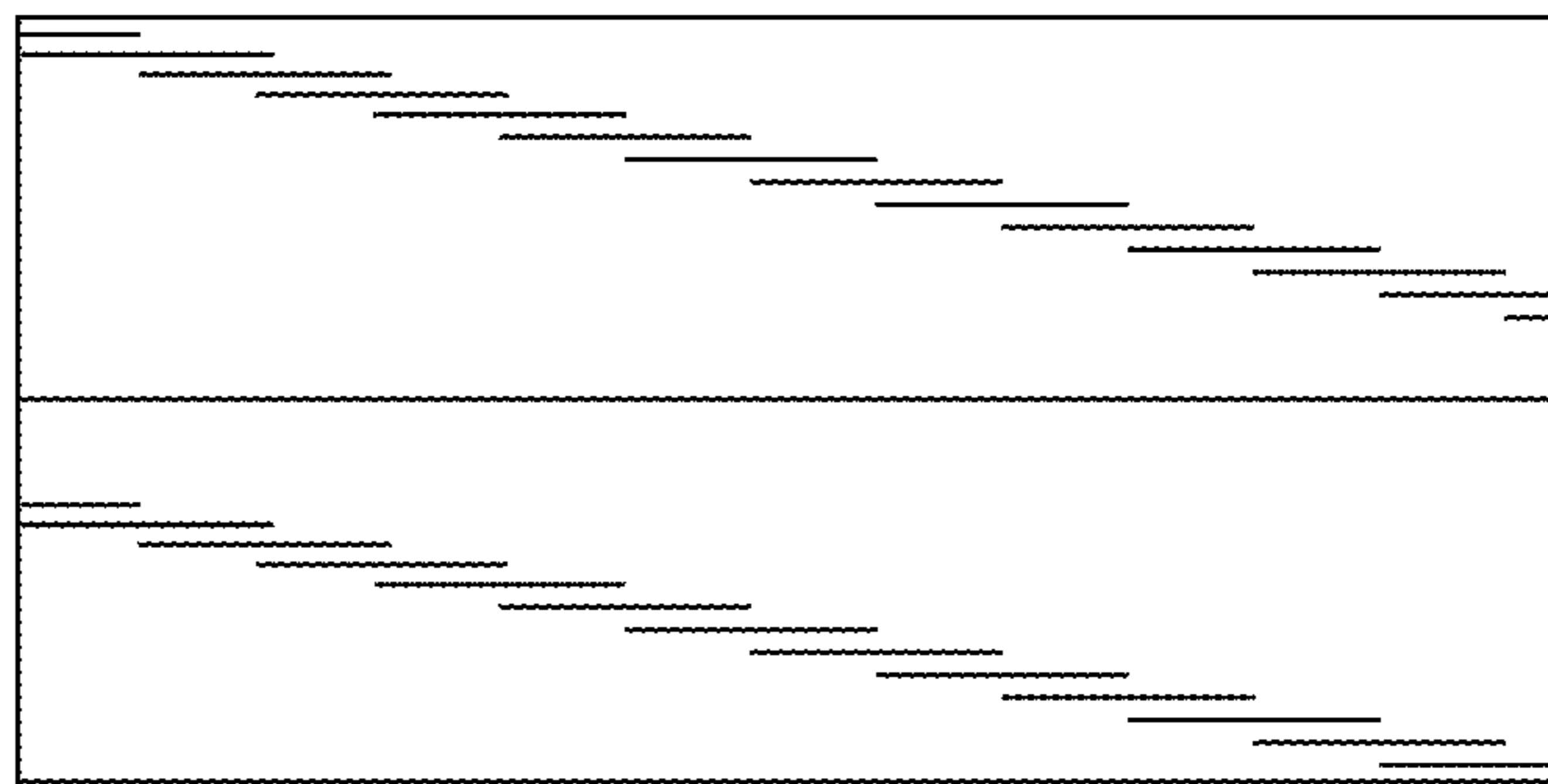


**FIG. 11**





**FIG. 12**



**FIG. 13**

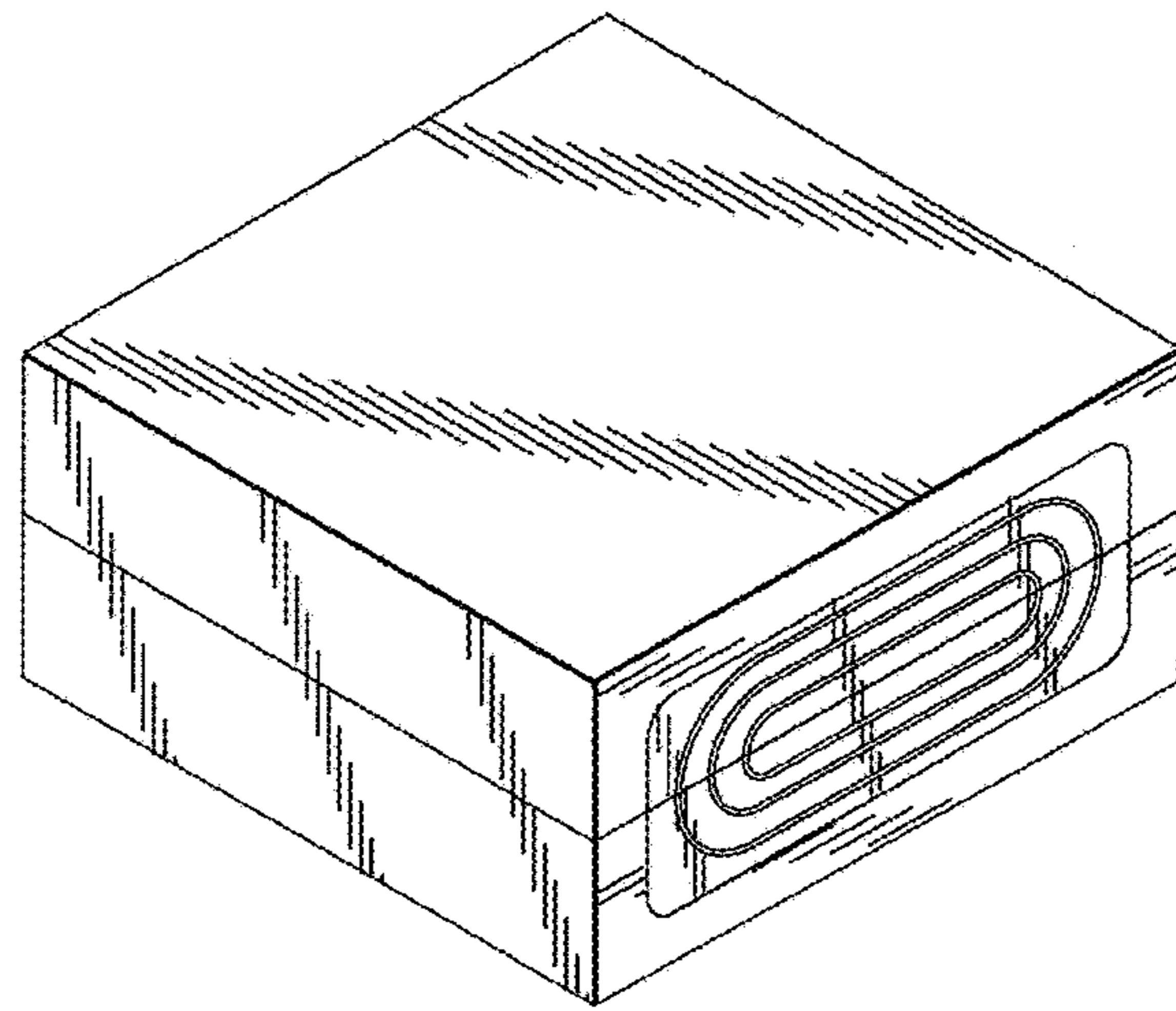


FIG. 14